



Data Sheet No:	DS544	Parker P/N:	PR3088Q
Issue Date:	01/04/08	OEM Name:	OEM P/N:
Issue Status:	Issue 1	HYDAC	0110D020BN3HC

PAR **FIT**™ INTERCHANGE ELEMENTS DATA SHEET

Introduction

Please find attached, the element data sheet requested.

Within the data sheet, we hope we have supplied all the information you will need to answer your questions. We have tried however, not to duplicate information that is in our catalogue.

The datasheet information is supplied in 4 separate sections, as follows;

Dimensions

These are the basic design dimensions of the element

Drawing

A line drawing of the element, showing the generic design and the primary dimension points

Materials of Construction

This section details the component materials used in the assembly.

As with all products, the materials used are selected to offer optimum performance within the specified working environment. This element is designed to be used in fluid systems utilising mineral oils, vegetable oils, oil emulsions and some synthetic fluids. For other fluids, please contact our Technical Support office. (Contact details below).

Calculated Performance Criteria

Due to the diversity of elements produced by our factories, multipass testing every element design and grade is prohibitive. In order to allow us to offer accurate information regarding the performance of our elements, we test examples of the smallest and largest options available.

The information contained within this section of the data sheet is based on data obtained during carefully controlled tests performed in one of our ISO EN9001 / ISO14001 accredited laboratories, adjusted according to the media area and element design. As with all laboratory test data, this reflects the performance of the element under optimum working conditions. The performance of the element within any particular system will vary, dependant upon the system parameters.

Should you have any questions, regarding any of our products, please do not hesitate to contact our Customer Services or Technical Support teams. (Contact details below)

Telephone; + 31 (0) 26 37 60 310

Fax; + 31 (0) 26 36 43 620

e:mail: HFTC@parker.com

Address; Parker Filtration BV
Hydraulic Filter Division Europe
PO Box 5008, 6802 EA
Stieltjesweg 8,
6827 BV
Arnhem
The Netherlands

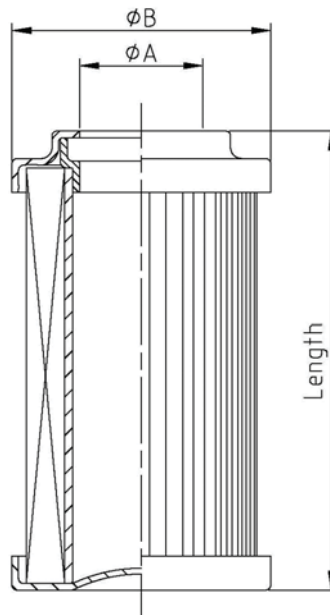


Data Sheet No:	DS544	Parker P/N:	PR3088Q
Issue Date:	01/04/08	OEM Name:	OEM P/N:
Issue Status:	Issue 1	HYDAC	0110D020BN3HC

PAR FIT™ INTERCHANGE ELEMENTS DATA SHEET

Nominal Element Dimensions:

<u>LENGTH (mm MAX)</u>	<u>DIA A (mm)</u>	<u>DIA B (mm)</u>	<u>COMMENTS</u>
153	22.2	47	



Materials of Construction:

Seals:	Fluoroelastomer (e.g. Viton® by Du Pont Dow)
Top End Cap:	Glass reinforced nylon
Bottom End Cap:	Mild steel tin plate
Support Cylinder:	Mild steel tin plate
Filter Media:	Graded multilayer glass pack with plated steel woven wire support

Calculated Performance Criteria:

Δp @ 35 l/Min @ 32cSt to ISO3968:	0.21 bar
Efficiency:	>Beta200 @ 20 microns & greater >Beta1000 @ 22 microns & greater

Dirt Holding Capacity to ISO16889: 11.7g @ 7.0 bar terminal pressure drop

Minimum Collapse Pressure to ISO2941: >20 bar