



aerospace  
climate control  
electromechanical  
**filtration**  
fluid & gas handling  
hydraulics  
pneumatics  
process control  
sealing & shielding



## Hydraulic Filter Division Europe

Hydraulic and Heavy Duty Filtration and Contamination Control



ENGINEERING YOUR SUCCESS.

# Parker Hannifin Corporation

## ENGINEERING YOUR SUCCESS.



A global Fortune 300 company with customers in 48 countries, Parker Hannifin is the world's leading supplier of hydraulic, pneumatic, and electro-mechanical systems and components. Customers rely on Parker for engineering excellence, world-class manufacturing and outstanding customer service to provide comprehensive application solutions that are second to none.

### The Parker Brand Promise

*Parker is the global leader in motion and control technologies, partnering with its customers to increase their productivity and profitability.*

aerospace  
climate control  
electromechanical  
**filtration**  
fluid & gas handling  
hydraulics  
pneumatics  
process control  
sealing & shielding

- More than USD 10.3 billion in sales
- 298 plants worldwide
- 12,000 distributors
- 449,000 customers
- Serving 1,200 distinct markets
- Listed as PH on the New York Stock Exchange

Let Parker become part of your design team. Whether you need to develop new products, redesign existing applications, or design completely new systems, Parker offers unparalleled engineering expertise.

Parker Filtration's global reputation as a reliable supplier of superior filtration products is the result of a focused and integrated development and manufacturing system.

Parker Filtration consolidates quality filtration products, manufactured by process filtration, air and gas filtration and separation, fuel conditioning and filtration, hydraulic and lubrication filtration, fluid power products and fluid condition monitoring equipment into one broad-based range that covers many markets and most applications, as detailed here.

Together for the first time in one catalogue are Parker Filtration's hydraulic and heavy duty filtration products and the proven range of fluid contamination monitoring products.



As the leader in the motion and control industry, Parker strives to be our customers' trusted partner. These relationships are cultivated by listening closely to our customers and repeatedly providing them with value measured in any currency: saved time, reduced waste, gained efficiency, expanded output and increased profitability.

# Contents

## Filtration and Reservoir Products

### 1. Low pressure filters

ETF Series – Tanktop mounted filters (Previously 1200)	15
TTF Series – Tanktop mounted filters	21
STF Series – Return Line filters	33
BGT Series – Tanktop mounted filters	39
IN-AGB Series – In-tank mounted filters	51
Tanktopper Series I, II & III – Tanktop mounted with integrated air breather	61
SR Series – Suction and return filters	69
PT Tank Top Mounted filters	77
Maxiflow Series – Spin-on filters	85
ATZ Series – Suction filters	91

### 2. Medium pressure filters

12AS Series	97
15/40/80CN Series	103
45M/45M Eco Series (Previously 1145)	111

### 3. High pressure filters

15P/30P Series	117
100P Series (Previously H600 and H1000)	123
EPF iprotect® Series	129
EADPF and EMDPF Series	131
18/28/38P Series	133
70/70 Eco Series (Previously 7000)	141
22PD/32PD Series	149

### 4. Filter Indicators

FMU Indicators and Pressure Indicators	155
--	-----

### 5. Heavy Duty filtration products

GS Series - Medium pressure in-line filters	162
GA Series - Medium pressure in-line filters	166
BGAH Series - Medium pressure in-line filters	172
BGLS Series - Low pressure in-line filters	178
SF1040 Series - Low pressure in-line filters	182
Eco 130 Series - Medium pressure filters	186
DF2145 Series - Duplex filters	194
DFBO Series - Duplex in-line filters	198
DF40 Series - Duplex in-line filters	202
DF2089 Series - Duplex filters	206
DF2110 Series - Duplex filters	210
DF2050 Series - Duplex filters	214
DF2035 Series - Duplex filters	218
DFH2060 Series - Duplex filters	222
DF2070 Series - Duplex filters	226

### 6. Par-Test

Par-Gel Water Removal Elements	231
--------------------------------	-----

### 7. Portable filtration systems

Guardian®	235
Filtration Unit	239
10MFP Series	245
PVS Series – Models 185, 600, 1200, 1800 and 2700	253

### 8. PAR◇FIT

Interchange replacement element range	263
---------------------------------------	-----

### 9. Marine PAR◇FIT

Interchange replacement element range	278
---------------------------------------	-----

### 10. Par-Gel

Par-Gel Water Removal Elements	281
--------------------------------	-----

## 11. Reservoir equipment

### Reservoirs

Co-polymer and steel reservoir solutions	287
--	-----

### Environmental Air Filters and Disposable Breathers

EAB Series	294
ABL Series	297
Triceptor	300

### Glass-Filled Nylon Air Breathers

IP65 Rated Filler Breathers	304
Filler Breathers	306
Screw-On Type Air Breathers	307

### Metal Filler Breathers

Filler Breathers (Metal)	310
Lockable Filler Breathers	312

### Air Filters

Spin-On Air Breathers	313
-----------------------	-----

### Fluid Level Indication

Fluid Level Temperature Gauges	316
Reservoir Float & Level Switches	319

### Fluid Power Products

Suction Elements	322
Diffusers	324
Inline Filters	325
Drive Couplings	326
Multiclamp	328
Inline Check Valves	333
Single Station Gauge Isolator Valves	334
63mm Dia. Pressure Gauges	335
100mm Dia. Pressure Gauges	336

## Fluid Condition Monitoring and Flowmeters

### 12. Fluid condition monitoring

icountLCM20 Contamination Monitor	337
Universal Bottle Sampler	344
icountBS Bottle Sampler	349
Single Point Sampler	357
System 20 Sensors and Monitors	360
MCM20 Autoremove Monitor	365
icountPD Particle Detector	369
icount Monitoring System	379
H <sub>2</sub> Oil – Water in Oil Monitor	381
Moisture Sensor Range	385
Oilcheck Monitor	392

### 13. Fuel Hydrocarbon Monitoring

icountACM20 Lab Unit	395
icountPD Z2 Particle Detector (ATEX Approved)	399
icountACM20 Z2 Particle Counter (ATEX Approved)	401

### 14. Transducers & transmitters

Asic 'Performer'	407
------------------	-----

### 15. Flowmeters & monitors

LoFlow – Oil and Water Flowmeters	411
Easiflow – Meters and Flowswitches	413
Dataflow – 4 to 20mA and Pulse Output Flow Transmitters	414
Dataflow Compact – Inline Flow Transmitter	415
Flowline – Oil and Water Calibrated Flowmeters (Brass and Aluminium)	416
Flowline – Oil and Water Calibrated Flowmeters (Stainless Steel)	417
Flowline – Flowswitches	418
Hydraulic Test Equipment	419
Flow Products – For Compressed Air Applications	420

### 16. Guide to contamination control

Guide to Contamination Control	421
--------------------------------	-----

# Low Pressure Filters

## ETF Series – Tanktop mounted return line filters - Page 15



- ETF utilizes a re-inforced co-polymer head equipped with 2 return ports.
- Quick-release cover design.
- Flow from inside to out.
- Maximum pressure 6 bar. Maximum flow 175 l/min.

## TTF Series – Tanktop mounted return line filters - Page 21



- TTF features pre-filtration by means of a magnet column.
- Full flow bypass with low hysteresis.
- Maximum pressure 10 bar. Maximum flow 500 l/min.
- Options include a filling port in the filter cover and second return port.
- Patented LEIF<sup>®</sup> elements safeguard filtration quality.

## STF Series – Return line filters - Page 33



- ‘In-to-out’ filtration design means contaminated oil cannot leak back into the system
- magnetic pre-filtration
- Cast iron filter head assembly
- multiple port configuration
- flows up to 500 L/min
- 10 bar maximum working pressure
- optional airtight diffusers
- LEIF<sup>®</sup> low environmental impact filter elements as standard

## BGT Series – Tanktop mounted return line filters - Page 39



- BGT features pre-filtration by means of a magnet column.
- Filter heads with multiple ports available.
- Full flow bypass with low hysteresis.
- Maximum pressure 10 bar. Maximum flow 2400 l/min.
- Patented LEIF<sup>®</sup> elements safeguard filtration quality.

## IN-AGB Series – In-tank mounted return line filters - Page 51



- IN-AGB features a bypass construction with low hysteresis.
- Magnetic pre-filtration and a high dirt-holding capacity.
- Wide range of diffusers including airtight options.
- Flow rates from 30 l/min to 2400 l/min.
- Patented LEIF<sup>®</sup> elements safeguard filtration quality.

## Tanktopper Series I, II & III – Tanktop mounted with integrated air breather - Page 61



- Tanktopper offers a total filtration solution with integrated air breather.
- In-to-Out filtration plus gauge and switch options.
- Maximum pressure 10 bar. Maximum flow 650 l/min.
- Patented LEIF<sup>®</sup> elements safeguard filtration quality.

## SR Series – Tanktop mounted suction and return filters - Page 69



- SR capable of feeding filtered oil under positive pressure to the suction side of the boost pump.
- Filters both open and closed loop oil systems through one filter.
- Maximum pressure 10 bar. Maximum flow 250 l/min.
- SR uses patented LEIF<sup>®</sup> elements to safeguard filtration quality.

## PT Tank Top Mounted filters - Page 77



- Return line filter for direct mounting in copolymer reservoirs.
- Patented designs safeguard filtration quality.
- In to out flow avoids re-contamination of the system.
- Flow capability up to 400 l/min.

## Maxiflow Series – Spin-on filters - Page 85



- Maxiflow full flow filters for suction or return applications.
- Available with a variety of integrated and add-on indicators.
- Maximum pressure 10 bar. Maximum flow 360 l/min.
- High quality filter medium.

# Low Pressure Filters continued

## ATZ Series – Submersible suction filters - Page 91



- ATZ submersible suction filters locate below tank oil level.
- Pre-filtration takes place by means of a magnetic column.
- Maximum flow 300 l/min.
- In-to-Out filter stops contaminated oil leaking back into the system.

# Medium Pressure Filters

## 12AS Series – Coreless Spin-on filters - Page 97



- 12S features a patented, re-usable coreless Ecoglass III element.
- Replaceable bowl design for easy element removal.
- Maximum pressure 35 bar.
- An eco filter solution for hydraulic systems

## 15/40/80CN Series – Medium pressure filters - Page 103



- CN utilizes a cast aluminium head and bowl.
- Excellent fatigue pressure ratings.
- Maximum pressure 70 bar. Maximum flow 600 l/min.
- An economic 'multi-purpose' filter solution.

## 45M/45M Eco Series – Medium pressure filters - Page 111



- 45M utilizes a cast iron head and steel bowl.
- Solves the problem of protecting system components at lower pressures.
- Maximum pressure 40 bar. Maximum flow 260 l/min.
- An ideal filter series for harsh environments.

# High Pressure Filters

## 15P/30P Series – High pressure filters - Page 117



- 15P/30P utilizes a compact aluminium housing with 2 head sizes and 2 bowl lengths.
- Microglass III filter media.
- Maximum pressure 207 bar. Maximum flow 200 l/min.
- A quality filter for better control and long component life.

## 100P Series – High pressure filters - Page 123



- 100P design, only the bowl end-cap is removed on element change.
- Microglass III glassfibre media is standard.
- Maximum pressure 414 bar. Maximum flow 1000 l/min.
- An ideal solution where space is at a premium.

## EPF, EADPF and EMDPF Series - Page 129



- A new generation of high pressure filters.
- Manifold heads contribute to cost-effective integration of filters in a system.
- Rated at 450 bar for flows up to 700 l/min.
- Multiple bypass settings up to 7 bar.

## 18/28/38P Series – High pressure filters - Page 133



- Multiple bypass settings up to 7 bar.
- 18/28/38P features a range of head and bowl sizes and connection options.
- Microglass III glassfibre media is standard.
- Maximum pressure 414 bar. Maximum flow 700 l/min.

# High Pressure Filters continued

## 70/70 Eco Series – High pressure filters - Page 141



- 70/70 Eco features a range of head and bowl sizes and connection options.
- Microglass III glassfibre and Ecoglass III media is available.
- Maximum pressure 420 bar. Maximum flow 450 l/min.
- A proven filter offering high levels of system protection.

## 22PD/32PD Series – High pressure duplex filters - Page 149



- 22PD/32PD utilizes a duplex design with integrated balancing valve and vent ports.
- Microglass III glassfibre media is standard.
- Maximum pressure 210 bar. Maximum flow 260 l/min.
- Designed to offer continuous operation during element change.

# Filter Indicators

## FMU $\Delta p$ – Indicators and pressure indicators - Page 155



- The FMU range of filter condition indicators, designed for use on a wide range of Parker filters
- Accurate visual, electronic or electrical filter condition feedback.
- Maximum pressure 420 bar.
- Mobile, industrial and marine applications.

# Heavy Duty Filtration Products

## GS Series – Medium pressure in-line filters - Page 162



- GS utilizes a cast iron housing design making it suitable for marine engine rooms and industrial gearbox installations.
- Microglass III or a cleanable metal mesh option.
- 3 different housing sizes can be specified.
- Maximum pressure 40 bar. Maximum flow 350 l/min.

## GA Series – Medium pressure in-line filters - Page 166



- GA utilizes an 'in to out' design which eliminates contamination returning into the system.
- Microglass III, Ecoglass III media or a cleanable metal mesh option.
- Maximum pressure 30 bar. Maximum flow 230 l/min.
- An ideal solution for metal cutting equipment.

## BGAH Series – Medium pressure in-line filters - Page 172



- BGAH is an ideal in-line solution for straight pipelines.
- Microglass III, Ecoglass III media or a cleanable metal mesh option.
- Patented LEIF<sup>®</sup> elements safeguard filtration quality.
- Maximum pressure 25 bar. Maximum flow 500 l/min.
- Highly customizable for differing applications.

## BGLS Series – Low pressure in-line filters - Page 178



- BGLS utilizes an aluminium upper housing and steel lower housing.
- Low weight with high capacity solution.
- Maximum pressure 10 bar. Maximum flow 2000 l/min.
- Ideal for lube systems, wind turbines and hydraulic presses
- Patented LEIF<sup>®</sup> elements safeguard filtration quality.
- Microglass III, Ecoglass III media or a cleanable metal mesh option.

## SF1040 Series – Low pressure in-line filters - Page 182



- SF1040 features a strong welded steel housing with DN80 or DN100 connections.
- Microglass III glassfibre media or a cleanable metal mesh option.
- Maximum pressure 10 bar. Maximum flow 1400 l/min.
- Ideal for gas and high flow systems.

# Heavy Duty Filtration Products continued

## Eco 130 Series – Medium pressure filters - Page 186



- Eco 130 is a versatile, modular filter system.
- Ability to bank multiple filters together in a 'duplex' format.
- Maximum pressure 30 bar. Maximum flow 1000 l/min.
- Microglass III, Ecoglass III media or a cleanable metal mesh option.

## DF2145 Series – Duplex filters - Page 194



- DF2145 duplex utilizes a robust cast iron housing for secure, continuous filtration.
- Microglass III, Ecoglass III media or a cleanable metal mesh option.
- Maximum pressure 30 bar. Maximum flow 80 l/min.
- A high specification filter for fuel, lube and hydraulic systems.

## DFBO Series – Duplex in-line filters - Page 198



- DFBO duplex brings Parker Racor FBO filters to the marine engine room.
- Ensuring efficient water separation at all times.
- Maximum pressure 10 bar. Maximum flow 115 l/min.
- 2 bowl lengths, easy service and no special tools required.

## DF40 Series – Duplex in-line filters - Page 202



- DF40 duplex utilizes a cast iron and steel design ideal for marine applications such as engine room installations.
- Microglass III, Ecoglass III media or a cleanable metal mesh option.
- Maximum pressure 40 bar. Maximum flow 200 l/min.
- Ideal for fuel, lube and hydraulic fluid systems.

## DF2089 Series – Duplex filters - Page 206



- DF2089 duplex utilizes a cast iron housing with 'in to out' flow to hold back contamination even during element change.
- Microglass III or a cleanable metal mesh option.
- Maximum pressure 40 bar. Maximum flow 350 l/min.
- A high specification filter for fuel, lube and hydraulic systems.

## DF2110 Series – Duplex filters - Page 210



- DF2110 duplex is a 'heavy-duty' performer with high in to out flow to hold back contamination even during element change.
- Microglass III or a cleanable metal mesh option.
- Maximum pressure 20 bar. Maximum flow 1200 l/min.
- DN80 PN25 connections.

## DF2050 Series – Duplex filters - Page 214



- DF2050 duplex features a cast iron housing with high dirt holding capacity yet low pressure drop.
- Microglass III or a cleanable metal mesh option.
- Maximum pressure 20 bar. Maximum flow =>1000 l/min.
- DN80 PN25 connections.

## DF2035 Series – Duplex filters - Page 218



- DF2035 duplex utilizes an aluminium housing providing a lightweight, high capacity filter solution.
- Microglass III or a cleanable metal mesh option.
- Maximum pressure 8 bar. Maximum flow 600 l/min.
- Ideal for industrial gear and diesel engine lube systems.

# Heavy Duty Filtration Products continued

## DFH2060 Series – Duplex filters - Page 222



- DFH2060 duplex slim design provides maximum performance with minimum installation height.
- Microglass III or a cleanable metal mesh option.
- Maximum pressure 10 bar. Maximum flow 2200 l/min.
- Ideal for industrial and heavy duty diesel engine lube systems.

## DF2070 Series – Duplex filters - Page 226



- DF2070 duplex design provides a welded housing with cast iron change over valve.
- Microglass III or a cleanable metal mesh option.
- Maximum pressure 10 bar. Maximum flow 1800 l/min.
- Ideal for diesel engine and high flow industrial lube systems.

## Par-Test



- The Par-Test service is a complete laboratory analysis service.
- Analysis is performed on a small quantity of fluid supplied by the customer.
- Parker Filtration has 3 European laboratory locations.
- The resulting Par-Test report is comprehensive in its detail.

# Portable Filtration Systems

## Guardian® Portable filtration system - Page 235



- Guardian® is designed to 'clean' new oil and deliver it to a system.
- Carries out a clean up of used fluid to its original condition.
- Maximum pressure 3.4 bar. Maximum flow 15 l/min.
- Filters petroleum based oils, water emulsions and diesel fuels.

## Filtration Unit - Page 239



- Filtration unit offers both permanent and offline fluid cleaning where higher levels of contamination are expected.
- Lightweight design. Spin-on 10 micron Abs. element.
- Maximum pressure 6 bar. Maximum flow 15 l/min.
- Robust construction.

## 10MFP Hydraulic trolley - Page 245



- 10MFP hydraulic trolley is the ideal way to pre-filter and transfer fluids into reservoirs or to clean up a system.
- Heavy-duty frame but still lightweight and portable.
- Maximum flow 38 l/min.
- Par-Gel™ water removal elements available.

## PVS Series-Models 185, 600, 1200, 1800 and 2700 - Page 253



- PVS draws water contaminated fluid out of a system.
- Removes water content and returns the 'clean' fluid to the reservoir.
- Maximum flow 170 l/min (PVS2700).
- Reduce the catastrophic results of water contamination.

## PAR◇FIT™

### Interchange replacement element range - Page 263

- PAR◇FIT™ elements are manufactured to the same exacting standards as Parker original elements using Microglass III and Ecoglass III media.
- Interchange elements for Pall, Hydac, Mahle, Internormen, MP Filtri, Donaldson and over 140 more manufacturers.
- Cross reference information available for over 30,000 part numbers.
- Marine PAR◇FIT™ options available.



# Par-Gel™

## Water removal filter elements - Page 281



- Par-Gel™ elements control water related problems in hydraulic power and lubrication systems.
- Helps reduce component wear and system downtime.
- Increases system efficiency and machine productivity.
- Reduces the chance of catastrophic system failure.

# Reservoir Equipment

## Environmental air filters and disposable breather - Page 294



- EAB Series – air flows up to 1500 l/min. Visual gauge option.
- ABL Series – 3 micron Abs. LEIF® element. 2 sizes.
- Triceptor – easy to fit, disposable when the silica gel turns to pink.

## Glass-filled nylon air breathers - Page 304



- Moulded in non-corrodible, glass-filled nylon – strong and light.
- Single hole, 6 hole and 3 hole installation.
- Screw-on breather range – G1/2 and G3/4 options.
- Compact range – G1/4, G3/8, R1/2 and R3/4 options.

## Metal filler breathers - Page 310



- Metal filler breathers – pressurized threaded type.
- Metal filler breathers – unpressurized threaded type.
- Filter flange type.
- Lockable range for reservoir security and oil protection.

## Air filters - Page 313



- High capacity air breathers to remove airborne contamination.
- Disposable, 5 micron nominal quality elements.
- Models – 700, 1500, 1700 and 3000 l/min.
- Ideal for high flow heavy contamination systems.

## Fluid level indication - Page 316



- 3 sizes of fluid level/temperature gauge. 2 hole mounting.
- 76mm, 127mm and 254mm mounting centres.
- Adjustable float switches – 3 lengths available.
- Capacitive level switch designed to give a low level alarm.

# Fluid Condition Monitoring

## icountLCM20 portable particle counter - Page 337



- 2-minute test procedure
- Multi-standard ISO, NAS and AS4059 cleanliness reporting.
- Data entry, data graphing and integral printer.
- Single Point Samplers (SPS's) are fingertip operated control valves that connect icountLCM20 and H2Oil into a system.

## Universal Bottle Sampler - Page 344



- The UBS advances LCM20's flexibility into Lab environments.
- Simple operation. Efficient test procedure.
- Clean and contamination free sampling.

# Fluid Condition Monitoring continued

## icountBS bottle sampler - Page 349



- icountBS provides quick sample bottle analysis with variable test time options from 15 seconds and volume capacities from 10ml.
- Repeatable and re-producible results performance, calibration carried out to ISO11171 via ISO11943 principles.
- Design concept allows for portability with DC and rechargeable battery power options built-in.
- Sample tube self-cleaning sleeve minimizing contamination crossover.
- No specific bottle required:
  - Maximum size = 75mm dia. x 150mm high.
  - Maximum volume = 250ml.

## icount Mini-Lab - Page 355



- icount Mini-Lab is the portable solution to fluid contamination bottle sampling, using the icountBS bottle sampler.
- Cleanliness awareness and monitoring control is only an oil sample away with the easy, 3-step/2 minute fluid analysis process.
- On-screen, full 256 colour, backlit STN transmissive.
- A cost-effective alternative to external laboratory service.
- Interactive software provides templates for printing 2-page analysis reports including ISO compliant results, raw data for full-sweep, particle size counts and graphs.

## System 20 sensors and monitors - Page 360



- 3 sizes of inline System20 sensor for pressures up to 420 bar.
- Analogue monitor utilizes 3 day-glow gauges with protective cover.
- EM20 electronic monitor with full digital display and 300 test memory.
- For use with all mineral oils, water and water/oil emulsions.

## MCM20 autoremote monitor - Page 365



- MCM20 online continuous particle counting ensures constant system monitoring within defined parameters.
- Calibration carried out to ISO1171 via ISO11943 principles. Multi-standard ISO and NAS reporting including full count/100 ml. detection at size ranges.
- Interactive handset options available for direct test sequencing, change test parameters and last test results.
- PC/PLC controlled.
- Can be pre-set to carry out tests at specific intervals.
- Connects permanently to a System20 sensor via 2 metre hose assembly.

## icountPD particle detector - Page 369



- icountPD provides online and independent monitoring of system contamination trends.
- Laser diode light obscuration technology for repeatable results.
- Calibration to approved, on-line methods.
- Early warning LED or digital display indicators for low, medium and high contamination levels.
- Moisture RH% indicator option for real time water ingress awareness before saturation damage occurs.
- Fully PC/PLC integration technology such as:
  - RS232/485, 0-5V, 4-20mA, CANBUS (J1939).

## H2Oil – water in oil monitor - Page 381



- H2Oil is a two-channel, non-dispersive absorption spectrometer, designed to measure the level of water content polluting oil.
- Totally portable unit without the need for mains power.
- 90 second test time and 500 test memory.
- Data entry and on-board printer.

# Fluid Condition Monitoring continued

## MS moisture sensor range - Page 385



- MS moisture sensors provide fast, reliable and accurate inline detection of moisture in fluids
- Technology developed for preventative maintenance programmes.
- MS150 'low pressure' suction line/reservoir applications. Temperature outputs. 10 bar maximum operating pressure.
- MS200 'Programmable' sensor monitoring and reporting relative humidity (RH), moisture content in oils.
- MS300 'Intrinsically safe' sensor ATEX certified for use in hazardous Zone environments.

# Fuel Condition Monitoring

## icountACM20 contamination monitor - Page 395



- icountACM20 monitors aviation fuel contamination to DEFSTAN 91-91 Jet A-1 fuel specification.
- A proven product that adopts Energy Institute Test Method IP 564.
- 2-minute test procedure. Multi-standard ISO cleanliness reporting.
- On-board, case-mounted pump means direct monitoring at a fuel storage tank for example is possible.

## icountPD Z2 – Fuel particle detector - Page 399



- Independent monitoring of system contamination trends.
- Assembled in an approved and certified Stainless Steel enclosure to comply with ATEX Directive 94/9/EC.
- Can be used in explosive and hazardous areas.
- Mineral oil versions available.

## icountACM20 Z2 - Page 401



- icountACM20 Z2 is assembled in an approved and certified Stainless Steel enclosure.
- Complies with ATEX Directive 94/9/EC and EN50 021 requirements.
- Designed for use in explosive and hazardous areas including offshore and mining applications.
- Has all the features of an icountLCM20 and an icountACM20.

# Transducers and Transmitters

## Asic 'Performer' - Page 407



- A quality range of transducers and transmitters with pressure ratings - 25, 60, 100, 250, 400 and 600 bar.
- One-piece body and diaphragm machining ensures long-term stability.
- All Stainless Steel construction.
- Cost-effective solution in many industry applications.

# Flowmeters and Monitors

## Flowmeters, Flowswitches and Flow Monitors - Page 411



- LoFlow oil and water flowmeters. 10 bar max. working pressure.
- Easiflow meters and Flowswitches. Work in any plane. Flows from 1 to 150 l/min.
- Dataflow 4-20mA and pulse output flow transmitters and Dataflow Compact inline flow transmitter.
- Flowline oil, water and air calibrated flowmeters and flowswitches available in brass or Stainless Steel.
- Hydraulic Test Units for the speedy diagnosis of hydraulic circuit faults with flow ranges from 2 to 360 l/min.

# Important changes to our product ordering information

## Standard Product Tables and a Product Configurator

Parker Filtration undertook a review of its part numbering with a view to standardising on a common part number style for all Filtration products. As a result of the many acquisitions we have made over the past 10 years, it became clear to us that there was a need to standardise

on a clear format for our part numbers. Accordingly, in this catalogue, you will find the new part number system with both a configurator and a supersedes cross reference relating to previous part numbers, issued in earlier editions of our

generic catalogues. In the event that the previous reference you use is not shown in this catalogue, could we ask you to please contact our European Product Information Centre. Contact details are on the back of this catalogue.

The examples below using the **BGT Series Ordering Information**, are included to explain how the **Standard products** are presented in the **Ordering Information section of the catalogue** and also how the new **Product Configurator works**.

### Explanation

#### Example 1. The Standard Products Table

We have created a new catalogue ordering code and included in this table are details of these new part numbers.

Alongside this we have put the part number that has been superseded from previous catalogues. It is our intention that all items printed in the **Standard**

**Products Table** will be available from our central warehouse for ex-stock delivery.

#### Example 2. The Product Configurator

2a. As part of our new catalogue ordering code we have introduced an **8-box part number configurator**. This configurator features items, which are marked in **bold** and are on a shortened delivery time. With this in mind we would ask that when making a selection using the configurator you select those items in bold to ensure the shortest lead-time.

2b. The configurator has been designed to cover not only the various models we offer but also different micron ratings, indicator options and port connections.

2c. Should you find that what you have selected is not available in the configurator, please feel free to call our European Product Information Centre (EPIC) to see if that option can be made available. Contact details are available on the back of this catalogue.

#### Green shaded graphs and ordering information

Where pressure drop graphs and ordering information are shown with a green tint, these options are 'Eco' options and environmentally friendly.

Example 1. The Standard Products Table

Part number	Supersedes	Flow (l/min)	Model number	Element length	Media rating (µ)	Seals	Indicator	Bypass settings	Ports	Included options	Replacement elements	Supersedes
<b>BGT120QLBPER323</b>	BGT1S500-S2 TWM18C-10 T B15 M	500	BGT1500	Length: 12	10	Nitrile	Plugged	1.5 Bar (22 Psi)	2"SAE-3000 PSI	Diffuser type T	<b>937859Q</b>	TXW18L-10
<b>BGT120QLBPER323</b>	BGT1S500-S2 TWM18C-20 T B15 M	500	BGT1500	Length: 12	20	Nitrile	Plugged	1.5 Bar (22 Psi)	2"SAE-3000 PSI	Diffuser type T	<b>937860Q</b>	TXW18L-20
<b>BGT150QLBPER483</b>	BGT11000-S3 TWM12-10 T B15 M	1000	BGT11000	Length: 15	10	Nitrile	Plugged	1.5 Bar (22 Psi)	3"SAE-3000 PSI	Diffuser type T	<b>937865Q</b>	TXW12-10
<b>BGT150QLBPER483</b>	BGT11000-S3 TWM12-20 T B15 M	1000	BGT11000	Length: 15	20	Nitrile	Plugged	1.5 Bar (22 Psi)	3"SAE-3000 PSI	Diffuser type T	<b>937866Q</b>	TXW12-20
<b>BGT1700BPER483</b>	BGT12000-S3 TWM14-10 T B15 M	2000	BGT12000	Length: 17	10	Nitrile	Plugged	1.5 Bar (22 Psi)	3"SAE-3000 PSI	Diffuser type T	<b>937772Q</b>	TXW14-10B
<b>BGT1700BPER483</b>	BGT12000-S3 TWM14-20 T B15 M	2000	BGT12000	Length: 17	20	Nitrile	Plugged	1.5 Bar (22 Psi)	3"SAE-3000 PSI	Diffuser type T	<b>937805Q</b>	TXW14-20B

Note: Filter assemblies ordered from the product configurator below are on extended lead times. Where possible, please make your selection from the table above.

#### Example 2. The Product Configurator

Configurator examples filter including **LEIF** element

Box 1	Box 2	Box 3	Box 4	Box 5	Box 6	Box 7	Box 8
<b>BGT</b>	<b>15</b>	<b>05QL</b>	<b>B</b>	<b>S1</b>	<b>E</b>	<b>R48</b>	<b>C</b>

Configurator examples filter including conventional element

Box 1	Box 2	Box 3	Box 4	Box 5	Box 6	Box 7	Box 8
<b>BGT</b>	<b>18</b>	<b>02Q</b>	<b>B</b>	<b>S4</b>	<b>E</b>	<b>3R20</b>	<b>4</b>

Code	Filter type	Degree of filtration
<b>BGT</b>	Housing Code	Element
	3-380 l/min 11	Microglass II (for disposable elements)
	3-500 l/min 12	Ecoglass III (for Leif elements)
	4-600 l/min 13	Cellulose
	4-800 l/min 14	Norm. rating
	4-1000 l/min 15	100 05Q 100Q 200 200Q
	4-1500 l/min 16	Wire mesh
	4-2000 l/min 17	Abs. rating
	4-2400 l/min 18	040W
		LEIF element
		100 02Q 05Q 100Q 200Q

Seal type	Indicator	Bypass valve
Seal material Code	Pressure gauge, setting 1.2 bar, M10x1 G1	Bypass valve Code
Nitrile B	Pressure gauge, setting 1.2 bar, G 1/4 for dual port head G2	0.5 bar B
Fluorocarbon V	Pressure switch 42V, 1.2 bar setting, NO/NC, M10x1 S1	1.5 bar E
Neoprene N	Pressure switch 42V, 1.2 bar setting, NO with G 1/8 BSP S2	2.0 bar for BGT-3 series H
	Pressure switch 42V, 1.2 bar setting, NO with G 1/8 BSP S3	Blocked bypass X
	Pressure switch 250V, NO/NC with G 1/8 BSP S4	Other bypass settings on request
	Pressure switch 220V, NO/NC with M10 S5	
	No indicator, indicator ports not machined N	
	No indicator, indicator port R plugged P	
	No indicator, indicator ports L + R plugged P2	
	Other settings for indicators / gauges on request on request	

Note: For all dual head ports for BGT15 apply G 1/8 connection for indicators

Filter connection	Options
Parts Code	Options Code
2" SAE BGT-3 R32	No diffuser required 1
3" SAE BGT-4 R48	Diffuser type T with perforated plate area 3
1x2" SAE flanged + 2x1 1/2" SAE flanged for BGT-3 R32M	Diffuser type P without perforated plate area 4
3x1 1/2" SAE flanges + 1x1 1/2" SAE for BGT-4 3R20	Diffuser with integrated hose connection on request
	No magnets 5
	Dipstick 6
	Plugged filling port 8
	Diffuser type T and no magnets A
	Diffuser type P and no magnets B
	Diffuser type T, no magnets, plugged filling port C
	Diffuser type P, no magnets, plugged filling port D
	Other combinations on request

#### Highlights Key (Denotes part number availability)

<b>123</b>	Item is standard
<b>123</b>	Item is standard green option
<b>123</b>	Item is semi standard
<b>123</b>	Item is non standard

Note: Standard items are in stock, semi standard items are available within four weeks



# Parker's Value Proposition



## Parker's Value Proposition

Parker is the leading filtration supplier worldwide. We have a powerful reputation, unparalleled breadth of products, and world-class customer service. However, Parker's greatest distinguishing benefits can be found in its Value Proposition. Parker believes that it takes more than our great products, competitive prices, and on-time delivery to satisfy customer demands. It takes a commitment to provide exceptional value.

At Parker, value is not a commodity. It is the result of personal relationships built around the customer's use of Parker's extensive resources. Our customer services include:

- **Design-Engineering Support**
- **System Design**
- **Components Selection**
- **New Product Development**
- **Custom-Component Manufacturing**
- **Assemblies and Kits**
- **Sub-System Configuration**
- **Global Support and Service**
- **ISO Certification**

Installing Parker Filtration patented filter assemblies such as the Suction and Return Series and *LEIF*<sup>®</sup> (Low Environmental Impact Filter) elements can provide the end user and OEM with some positive benefits:

- *LEIF*<sup>®</sup> can provide increased OEM spares business.
- Guaranteed Parker quality with every replacement filter element.
- Supports OEM end user loyalty to Parker elements.
- Support aftermarket sales and machinery performance.
- Parker patented elements promote quality and reliability to end users.

# Providing the products and service our customers expect

## A Global Product Range

With this catalogue we offer our customers an easy way to find technical specification and ordering information about Parker hydraulic filtration, fluid contamination monitoring and fluid power products.

Products shown in this catalogue have a broad range of applications. Our filter products are particularly designed for hydraulic and lubrication systems and transmissions. The fluid power products are also used in many industries and applications.

Typical applications can vary from road sweepers, fork lift trucks, agriculture harvesting machines, grass cutting equipment, lorry mounted cranes, forestry equipment, press brakes, industrial power units, waste management trucks, drilling equipment, marine, military equipment, paper mills, water treatment and filtration systems.

For more information about our products send your inquiry to your nearest sales location, see contact information at the back of this catalogue.

### Important information on product ordering and part numbers

Parker Filtration has recently undertaken a review of its part numbering with a view to standardising on a common part number style for all Filtration products. As a result of the many acquisitions we have made over the past 10 years, it became clear to us that there was a need to standardise on a clear format for our part numbers.

Accordingly, in this new catalogue you will find the new part number system with a 'product configurator' and a supersedes reference relating to previous part numbers issued in earlier editions of our generic catalogues. In the event that the previous reference you have is not shown in this catalogue, could we ask you to please contact our Epic Centre, details of which are on the back cover of this catalogue.

For additional information and an example explained, turn to page 12.

BSP ports offered in this catalogue conform to ISO228.

### Supply chain management, service and support

Parker is addressing operation efficiency by expanding the systematic approach called 'Lean Manufacturing. Value stream analysis, flow manufacturing, reduced set-ups, manufacturing cell flexibility and fool-proofing systems are all contributing to the continuous improvement in our manufacturing sites. 'Lean' is also expressed in our premier customer service and second-to-none customer partnerships in supply chain management.

### Engineering and manufacturing excellence

Parker Filtration's Filtration Group Europe (FGE) manufacturing focus is driven by a number of key elements that affect all areas of the business. People productivity, customer satisfaction, production throughput, quality and lean achievements are the drivers that help the FGE achieve ISO9001, QS9000, ISO9001 and ISO14001.

Significant investment by our parent Parker Hannifin Corporation continues to give FGE flexible manufacturing systems, automated test equipment and excellent laboratory test facilities.

New product development programmes and on-going product improvement initiatives are vital elements in maintaining a product range that meets customer demands for quality, reliability and engineering excellence.

R & D resources at the Parker Filtration locations in the UK, Finland and the Netherlands are both complimentary and comprehensive. Including, as examples, Multipass Test Installations, fatigue test unit, cleanliness service (water detection, special analysis, particle counting and analysis), 3D workstations, Thermal Cycle Test Chamber, Salt Spray and Humidity chambers.

Parker Hannifin Corporation herewith declares that Parker Hydraulic Filtration products are intended to be incorporated into machinery covered by Directive 89/392/EEC, as amended and that the following harmonised standards have been applied; EN982, EN292-1, EN292-2

We furthermore declare that, machinery incorporating Parker Hydraulic Filtration products, is not allowed to be put into service until the machinery has been found and declared to be in conformity with the provisions of Directive 89/392/EEC and with national implementing legislation.

In line with our policy of continuous product improvement, Parker Hannifin (UK) Ltd reserve the right to alter product data and specification without notice. This does not affect your statutory rights.

#### Notes:

1. Within this catalogue, each product has been allocated an operating temperature and pressure range.
2. The range listed for each filter is dedicated by the materials of construction and the capability of the seals specified.
3. Consideration should also be given to the characteristics of the system fluid when specifying filters for extreme temperature and/or pressure applications.
4. The use of non-Parker replacement elements and spares may invalidate your warranty.

# ETF Series

Tanktop Mounted Return Line Filters  
max. 175 l/min - 6 bar



## An economic return line filter

### Improved system protection

The ETF Series utilizes a re-inforced co-polymer head equipped with 2 return ports and quick-release cover. Maximum pressure 6 bar. Maximum flow 175 l/min. An economic return line filter that has been used and proven in many hydraulic filtration applications.



## Contact Information:

Parker Hannifin  
**Hydraulic Filter Division Europe**

**European Product  
Information Centre**  
Freephone: 00800 27 27 5374  
(from AT, BE, CH, CZ, DE, EE, ES,  
FI, FR, IE, IT, PT, SE, SK, UK)  
filtrationinfo@parker.com

www.parkerhfde.com

## Product Features:

- ETF utilizes a re-inforced co-polymer head equipped with 2 return ports.
- Quick-release cover design.
- Flow from inside to out.
- Maximum pressure 6 bar. Maximum flow 175 l/min.
- An economic return line filter for hydraulic systems.

# ETF Series

## Tanktop Mounted Return Line Filters

### Features & Benefits

Features	Advantages	Benefits
Co-polymer head	Compact profile, lightweight and durable	Less weight, smaller envelope and cleaner appearance
Multiple return line ports	Flexibility related to return line hose(s) arrangement	More compact solutions can be realised
Quick release cover	No tools required to release the filter cover	Easy change of filter element
Optional magnetic pre-filtration	Removes ferro particles, even during bypass conditions	Improved fluid cleanliness levels
In-to-Out filtration	All captured contamination retains inside the element	No recontamination of system during change of elements
Quick response bypass with low hysteresis	Reduction of bypass period due to low hysteresis	Improved protection of system
	Only a small part of the total flow is bypassing the element	
Optional funnel	Ensures that oil enters the tank under the oil level	Significant reduction of oil foaming

### Typical Applications

- Lorry mounted cranes
- Agricultural equipment
- Container hook loaders

### The Parker Filtration ETF Series Low Pressure Filters

For tank top mounting installation. The ETF Series utilises a reinforced co-polymer head equipped with two return ports and quick release cover. This filter represents an economic solution for hydraulic systems with nominal flows up to 175 l/min.





## Specification

**Pressure ratings:**

Max. 6 bar.

**Assembly:**

Tank top mounted.

**Connections:**

Threads G1" + G1" (ISO 228), port B supplied as plugged connection.

**Filter housing:**

Glass reinforced co-polymer.  
Funnel made from steel.

**Seal material:**

Nitrile.

**Operating temperature range:**

-20° to +80°C.

**Bypass valve:**

Opening pressure 1.6 bar.

**Filter element:**

Conventional style element with steel end caps.

**Degree of filtration:**

Determined by multipass test according to ISO 16889.

**Flow fatigue characteristics:**

Filter media is supported so that the optimum fatigue life is achieved.

**Filtration media:**

Microglass III.

**Element collapse rating:**

8 bar (ISO 2941).

**Indicator options:**

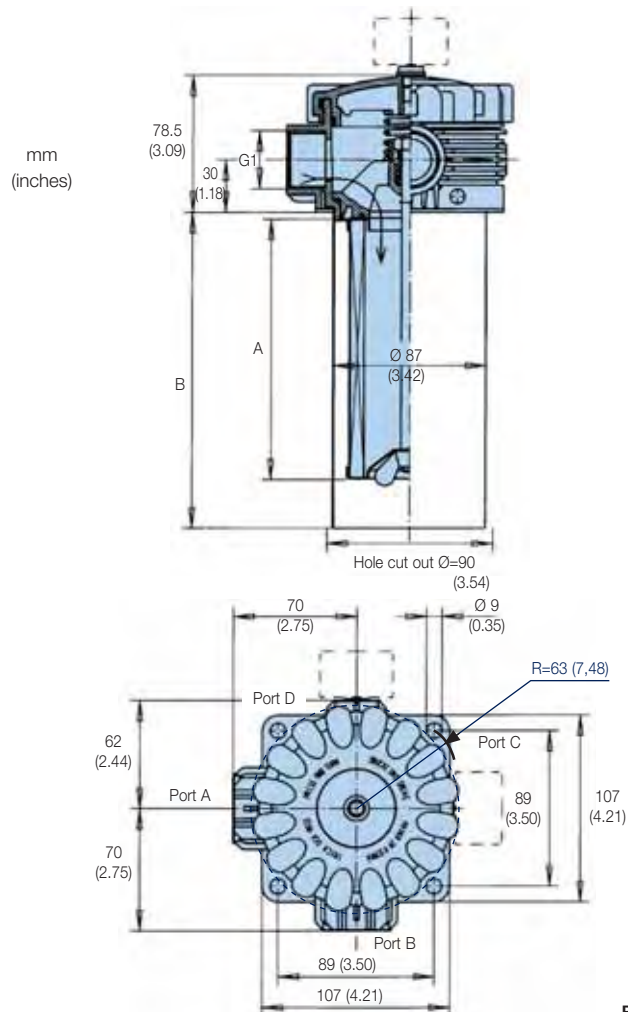
Setting 1.0 bar.

**Fluid compatibility:**

Suitable for use with mineral and vegetable oils, and some synthetic oils. For other fluids, please consult Parker Filtration.

## Installation Details

ETF Length	Dimensions mm (inches)	A	B
1	<b>ETF45</b>	82 (3.22)	100 (3.94)
2	<b>ETF60</b>	106 (4.17)	125 (4.92)
3	<b>ETF90</b>	150 (5.90)	177 (6.97)
4	<b>ETF120</b>	200 (7.87)	225 (8.86)
4A	<b>ETF140</b>	260 (10.24)	300 (11.81)
4B	<b>ETF175</b>	350 (13.78)	375 (14.76)





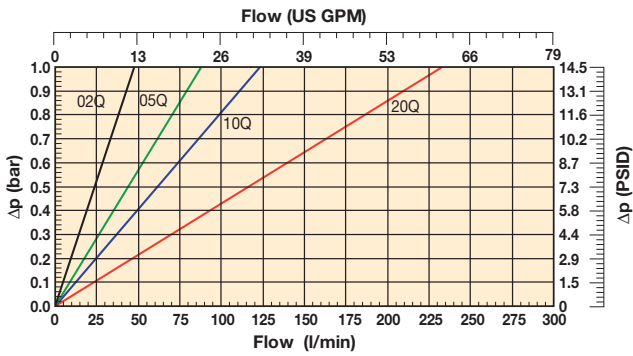
## Pressure Drop Curves

The recommended level of the initial pressure drop for low pressure filters is max 0.5 bar.

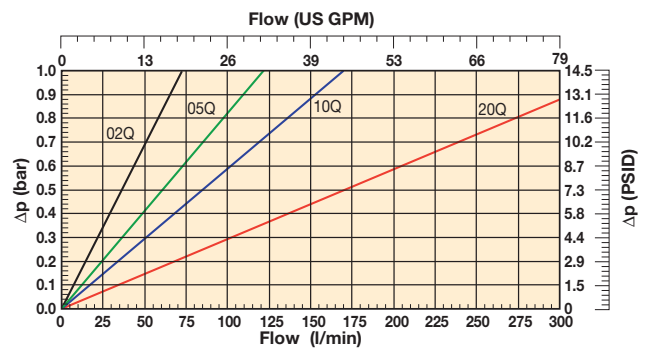
If the medium used has a viscosity different from 32cSt, pressure drop over the filter can be estimated as follows:

$$\Delta p = (Dp_{32} \times \text{viscosity of medium used}) / 32\text{cSt}$$

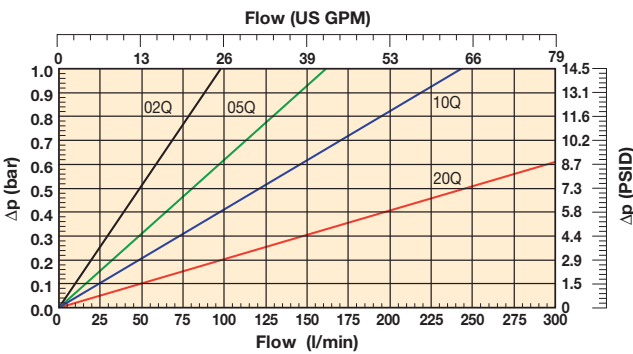
**ETF45 (Element length code 1)**



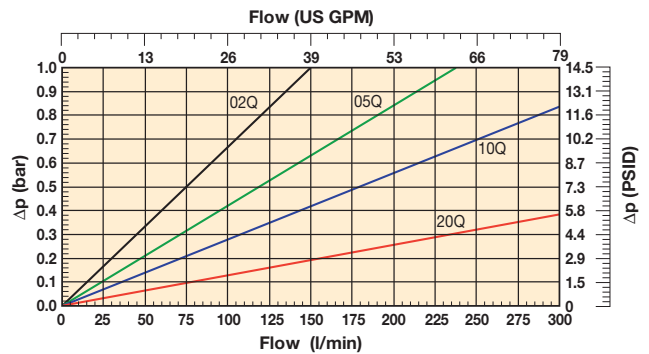
**ETF60 (Element length code 2)**



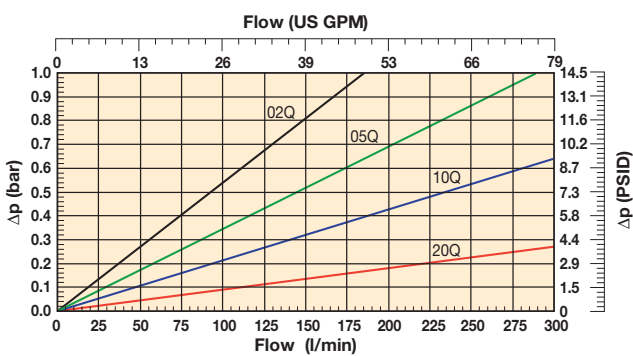
**ETF90 (Element length code 3)**



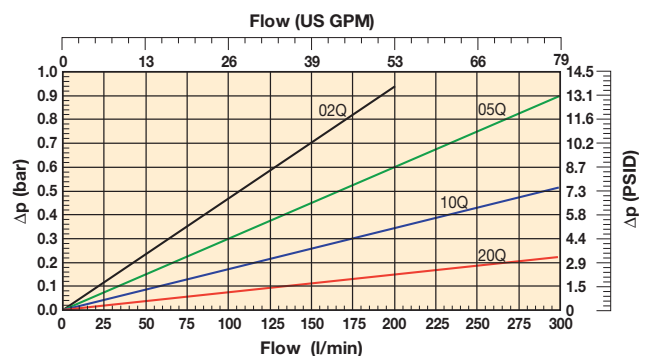
**ETF120 (Element length code 4)**



**ETF140 (Element length code 4A)**



**ETF175 (Element length code 4B)**



Note: All pressure drop curves above show total pressure drop. i.e. they are combined housing and element curves.

# ETF Series

## Tanktop Mounted Return Line Filters

### Ordering Information

#### Standard products table

Part number	Supersedes	Flow (l/min)	Model number	Element length	Media rating (µ)	Seals	Indicator	Bypass settings	Ports	Included options	Replacement elements	Supersedes
<b>ETF210QBP2FG164</b>	FK1230.Q010.BK16.GX16	60	ETF60	Length 2	10	Nitrile	Plugged	1.6 Bar (23 Psi)	2xG1 (one port plugged)	Diffuser type P	<b>937950Q</b>	FC1230.Q010.XS
<b>ETF220QBP2FG164</b>	FK1230.Q020.BK16.GX16	60	ETF60	Length 2	20	Nitrile	Plugged	1.6 Bar (23 Psi)	2xG1 (one port plugged)	Diffuser type P	<b>937951Q</b>	FC1230.Q020.XS
<b>ETF310QBP2FG164</b>	FK1240.Q010.BK16.GX16	90	ETF90	Length 3	10	Nitrile	Plugged	1.6 Bar (23 Psi)	2xG1 (one port plugged)	Diffuser type P	<b>937952Q</b>	FC1240.Q010.XS
<b>ETF320QBP2FG164</b>	FK1240.Q020.BK16.GX16	90	ETF90	Length 3	20	Nitrile	Plugged	1.6 Bar (23 Psi)	2xG1 (one port plugged)	Diffuser type P	<b>937953Q</b>	FC1240.Q020.XS

Note: Filter assemblies ordered from the product configurator below are on extended lead times. Where possible, please make your selection from the table above.

#### Product configurator

##### Configurator example of an ETF Series filter

Box 1	Box 2	Box 3	Box 4	Box 5	Box 6	Box 7	Box 8
<b>ETF</b>	<b>3</b>	<b>10Q</b>	<b>B</b>	<b>S2</b>	<b>F</b>	<b>G16</b>	<b>1</b>

Code	Filter type
<b>ETF</b>	<b>Housing</b>
	ETF 1-45
	ETF 1-60
	ETF 1-90
	ETF 1-120
	ETF 1-140
	ETF 1-175

Degree of filtration
Glassfibre media
Microglass III (for disposable elements)
Disposable element

Seal type
<b>Seal material</b>
Nitrile

Indicator
<b>Code</b>
Pressure gauge, setting 1.2 bar, G <sup>1</sup> / <sub>8</sub>
Pressure switch 42V, 1.2 bar setting, NO with G <sup>1</sup> / <sub>8</sub> BSP
Pressure switch 42V, 1.2 bar setting, NC with G <sup>1</sup> / <sub>8</sub> BSP
Pressure switch 250V, 1.2 bar setting NO/NC with G <sup>1</sup> / <sub>8</sub>
No indicator, indicator ports L + R plugged
Other settings for indicators / gauges on request

Bypass valve
<b>Bypass valve</b>
1.6 bar
Other bypass settings

Filter connection
<b>Ports</b>
G1"(BSP) (2 ports, one supplied as plugged connection)

Options
<b>Options</b>
No diffuser required
Diffuser type P without perforated plate area
Diffuser with integrated hose connection
Magnets
Diffuser type P and magnets
Other combinations

Spare elements table				
	<b>02Q</b>	<b>05Q</b>	<b>10Q</b>	<b>20Q</b>
ETF1-45	937969Q	937970Q	937948Q	937949Q
ETF1-60	937971Q	937972Q	937950Q	937951Q
ETF1-90	937973Q	937974Q	937952Q	937953Q
ETF1-120	937975Q	937976Q	937954Q	937955Q
ETF1-140	937977Q	937978Q	937956Q	937957Q
ETF1-175	937979Q	937980Q	937981Q	937982Q

Degree of filtration					
<b>Average filtration beta ratio β (ISO 16889) / particle size µm [c]</b>					
<b>βx(c)=2</b>	<b>βx(c)=10</b>	<b>βx(c)=75</b>	<b>βx(c)=100</b>	<b>βx(c)=200</b>	<b>βx(c)=1000</b>
% efficiency, based on the above beta ratio (βx)					
<b>50.0%</b>	<b>90.0%</b>	<b>98.7%</b>	<b>99.0%</b>	<b>99.5%</b>	<b>99.9%</b>
N/A	N/A	N/A	N/A	N/A	4.5
N/A	N/A	4.5	5	6	7
N/A	6	8.5	9	10	12
6	11	17	18	20	22

ETF Series Seal Kit	
<b>Part Number</b>	<b>Description</b>
918045037	NITRILE SEAL KIT ETF 0 -4B

#### Highlights Key (Denotes part number availability)

<b>123</b>	Item is standard
<b>123</b>	Item is standard green option
<b>123</b>	Item is semi standard
123	Item is non standard

Note: Standard items are in stock, semi standard items are available within four weeks

Note 1: Part numbers featured with bold highlighted codes will ensure a 'standard' product selection.  
 Note 2: Alternate displayed part number selection will require you to contact Parker Filtration for availability.



# TTF Series

Tanktop Mounted Return Line Filters  
Max 500 l/min - 10 bar



Featuring pre-filtration by means of a magnetic column

## Extended element life time

The TTF Series features pre-filtration by means of a magnet column and a quick response bypass with low hysteresis. Maximum pressure 10 bar. Maximum flow 500 l/min. A second return port is an available option as is a filling port in the filter cover.

AN INNOVATIVE GREEN  
FILTER FEATURING  
**LEIF®**



## Contact Information:

Parker Hannifin  
Hydraulic Filter Division Europe

European Product  
Information Centre  
Freephone: 00800 27 27 5374  
(from AT, BE, CH, CZ, DE, EE, ES,  
FI, FR, IE, IT, PT, SE, SK, UK)  
filtrationinfo@parker.com

www.parkerhfde.com

## Product Features:

- TTF features pre-filtration by means of a magnet column.
- Quick response bypass with low hysteresis.
- Maximum pressure 10 bar. Maximum flow 500 l/min.
- Options include a filling port in the filter cover and second return port.
- Patented LEIF® elements safeguard filtration quality.
- Flow from inside to out.

# TTF Series

## Tanktop Mounted Return Line Filters

### Features & Benefits

Features	Advantages	Benefits
10 bar rated filter	Can be utilised for severe return line applications	Reduced downtime due to premature filter failures
Cast aluminium head	Compact profile, lightweight and durable	Less weight, smaller envelop and cleaner appearance
LEIF® elements	Patented element safeguards the use of genuine parts	Guaranteed quality of filtration Contributes to ISO 14001 certification
Magnetic pre-filtration	Removes ferrous particles, even during bypass conditions	Improved fluid cleanliness levels Extended element life time
In-to-Out filtration	All captured contamination retains inside the element	No recontamination of system during change of elements
High level of customisation	Dedicated system-matched solutions can be easily made available	Improved integration of filter in system combined with lower initial system costs
Quick response bypass with low hysteresis	Reduction of bypass period due to low hysteresis Only a small part of the total flow is bypassing the element	Improved protection of system
Standard or customised funnel	Ensures that oil enters the tank under the oil level	Significant reduction of oil foaming

### Typical Applications

- Waste management trucks
- Mobile cranes
- Power packs
- Wheeled loaders
- Drilling equipment

### The Parker Filtration TTF Series Return Line Filters

TTF tank top mounted return line filters feature pre-filtration by means of a magnet column and a quick response bypass with low hysteresis. Thanks to the “In-to-Out” filter principle, contaminated oil cannot leak back into the system. TTF filters are available in versions capable of handling flow rates up to 500 l/min. They can operate up to a maximum working pressure of 10 bar. Optional filling port in filter cover, second return port and customised diffusers can be specified.



## Specification

### Operation pressure:

Max. 10 bar.

### Assembly:

Tank top mounted.

### Connections:

Threaded BSP ports.  
Flanged ports on request.

### Filter housing:

Aluminium head and cover.

### Seal material:

Nitrile, fluoroelastomer, neoprene.

### Operation temperature range:

Seal material Nitrile: -40 to +100°C.  
Seal material Fluoroelastomer: -20 to +120°C.

### Bypass setting

Opening pressure 0.8 / 1.5 or 2 bar.  
Other settings on request.

### Degree of filtration:

Determined by multipass test according to ISO 16889.

### Flow fatigue characteristics:

Filter media is supported so that the optimum fatigue life is achieved.

### Filtration media:

Microglass III and Ecoglass III for *LEIF*<sup>®</sup> elements.  
Also available 10µm cellulose and 40µm stainless steel mesh.

### Element collapse rating:

10 bar (ISO 2941)

### Pressure indicator options:

Setting 0.7 or 1.2 bar.  
Other settings on request.  
Visual pressure gauge.  
Electrical pressure switch.

### Options:

Diffuser type P (straight pipe, no perforated plate area)  
Diffuser type T (with closed diffuser end cap and with perforated plate area, recommended when oil entry in reservoir is close to the reservoir bottom or to ensure oil entry under the reservoir oil level)

### Magnetic pack:

Standard. TTF400 and 500 are standard supplied without magnets

### Filling port in cover: (optional)

Plugged.

### Filter element:

*LEIF*<sup>®</sup> element with reusable metal element sleeve.

Optional conventional style element with steel end caps.

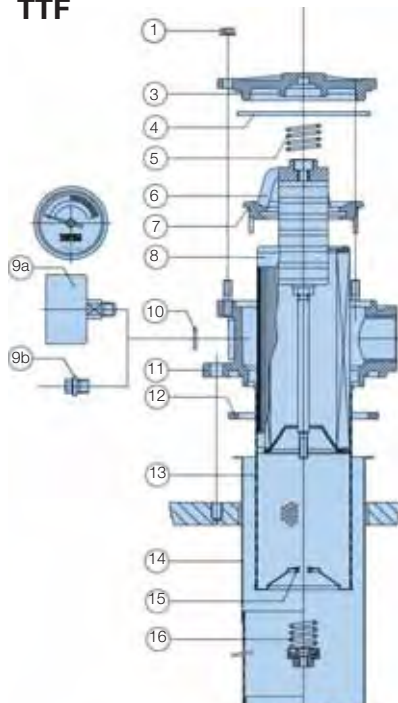
The *LEIF*<sup>®</sup> element is patented and safeguards the use of genuine parts.

Note: *LEIF*<sup>®</sup> element can be used with mineral and HEES type oils.

For other fluids consult Parker Filtration.

*LEIF*<sup>®</sup> contributes to ISO 14001 quality standards.

## TTF



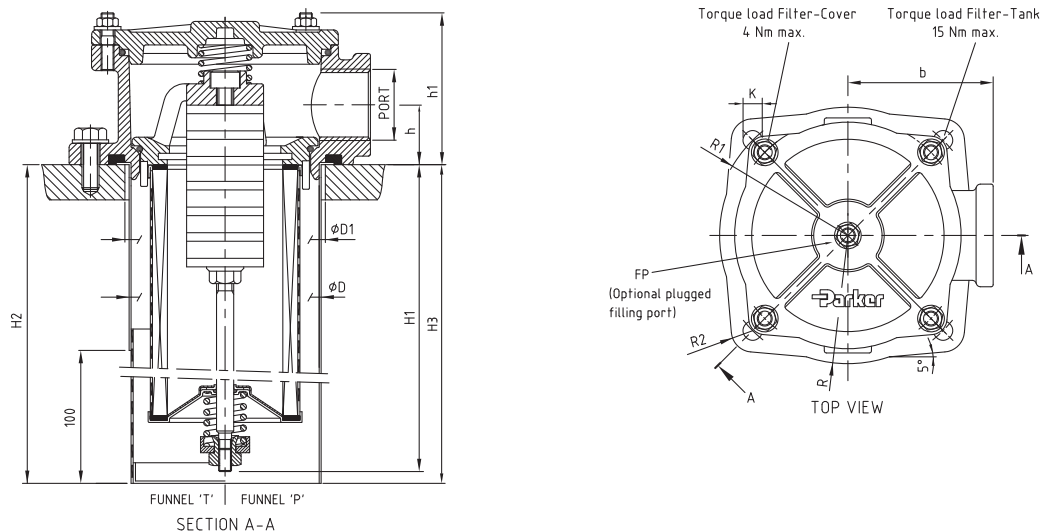
### TTF sealkit: No. 4+7+12

Ref.	No.	Description
1	4	Flange nut
3	1	Cover
4	1	Cover-seal
5	1	Top-spring
6	1	Insert
7	1	Insert-seal
8	1	Element
9a	0-1	Indicator
9b	0-3	Plug M10x1
10	0-3	Unit-ring
11	1	Housing
12	1	Gasket
13	1	Sleeve
14	1	Funnel/diffuser
15	1	O-ring
16	1	Bypass set

# TTF Series

## Tanktop Mounted Return Line Filters

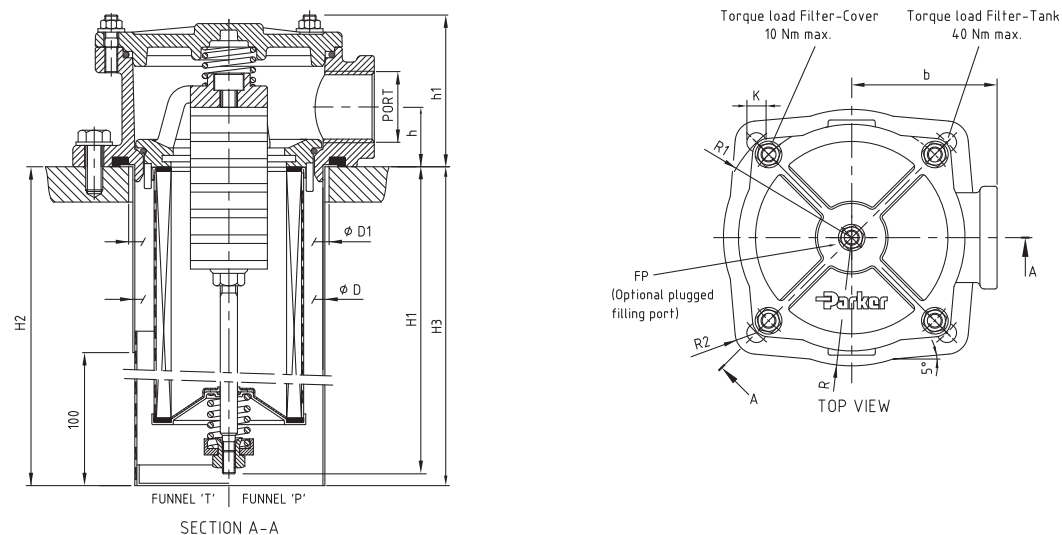
### TTF Lengths 2-5 Single port



TTF length	Type	Port option	h	h1	ØD	ØD1	H1	H2	H3	b	R	R1	R2	K	FP
2	TTF 1-60	G <sup>3</sup> / <sub>4</sub> , G1	28	73	Ø90	Ø93	131	190	190	68	60	63	10	4xØ9	G <sup>1</sup> / <sub>2</sub>
3	TTF 1-90						175	190	190						
4	TTF 1-120						225	330	330						
5	TTF 1-150						325	330	330						

Dimensions in mm

### TTF Lengths 6-10 Single port



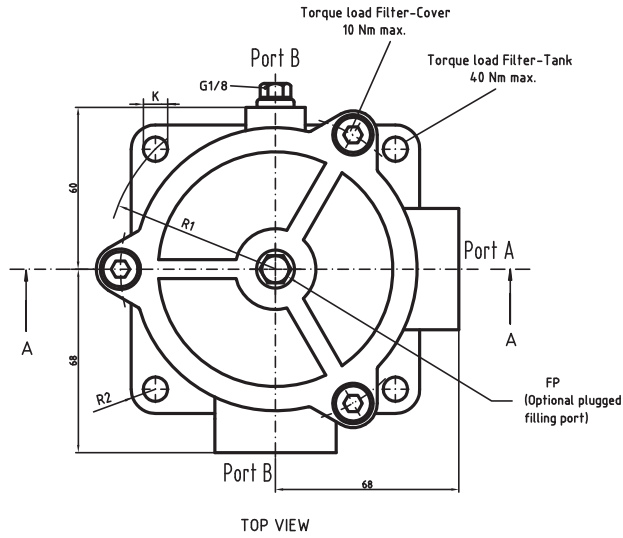
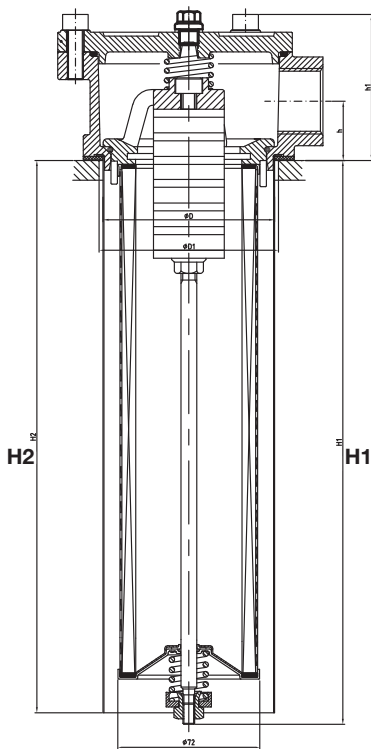
TTF length	Type	Port option	h	h1	ØD	ØD1	H1	H2	H3	b	R	R1	R2	K	FP
6	TTF 2-170	G1 <sup>1</sup> / <sub>4</sub> , G1 <sup>1</sup> / <sub>2</sub>	36	92	Ø132	Ø136	223	318	318	90	83	87.5	12	4xØ11	G1
7	TTF 2-230						303	318	318						
8	TTF 2-300						508	538	538						
9	TTF 2-400						523	538	538						
10	TTF 2-500						563	578	578						

Dimensions in mm





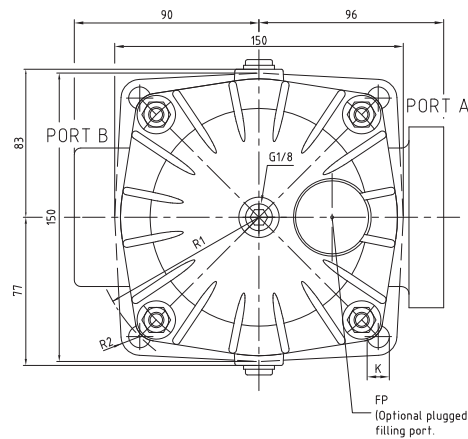
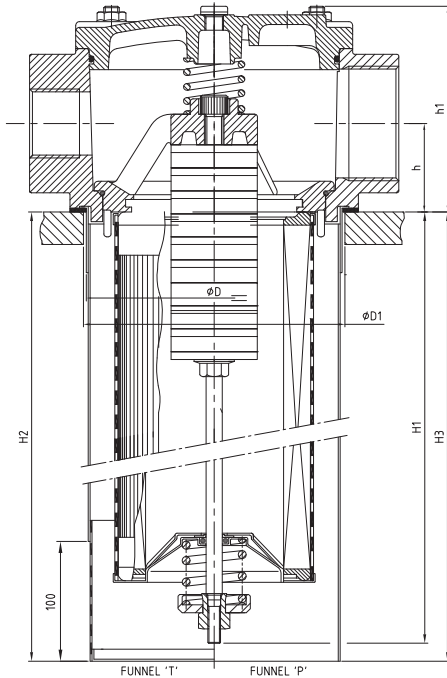
## TTF Lengths 2-5 Dual port



TTF length	Type	Port option A - B	h	h1	∅D	∅D1	H1	H2	b	R	R1	R2	K	FP
2	TTF 1-60	G1 - G1	30	74	∅88	∅91	131	190	90	83	87.5	12	4x∅11	G1
3	TTF 1-90						175	170						
4	TTF 1-120						225	220						
4A	TTF 1-140						285	280						
5	TTF 1-150						325	320						
4B	TTF 1-175						376	370						

Dimensions in mm

## TTF Lengths 6-10 Dual port



TTF length	Type	Dual Port option A-B	h	h1	∅D	∅D1	H1	H2	H3	R	R1	R2	K	FP
6	TTF 2-170	G1½ - G1½	46	107	∅132	∅136	223	318	318	83	87.5	12	4x∅11	G1
7	TTF 2-230						303	318	318					
8	TTF 2-300						508	538	538					
9**	TTF 2-400	SAE 1½ - G1½					523	538	538					
10**	TTF 2-500						563	578	578					

Dimensions in mm



# TTF Series

## Tanktop Mounted Return Line Filters

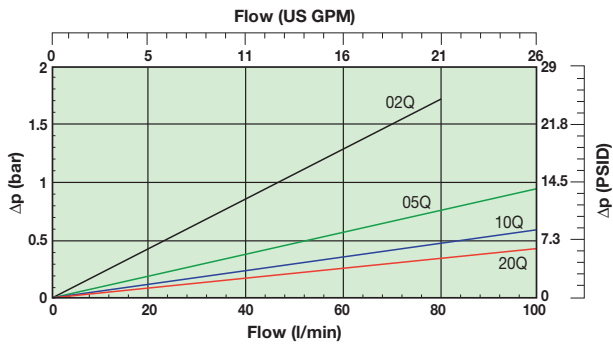
### Pressure Drop Curves

The recommended level of the initial pressure drop for low pressure filters is max 0.5 bar.

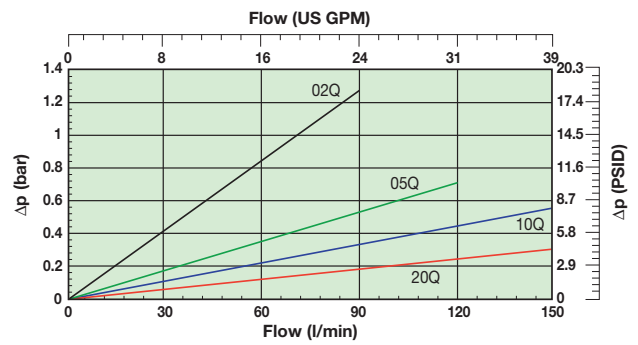
If the medium used has a viscosity different from 32cSt, pressure drop over the filter can be estimated as follows:

$$\Delta p = (\Delta p_{32} \times \text{viscosity of medium used}) / 32\text{cSt}$$

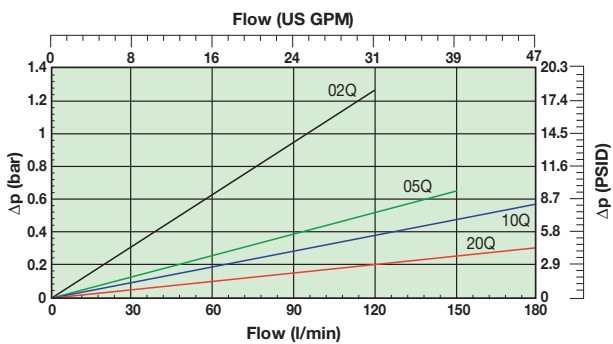
**TTF60 (Element length code 2)**



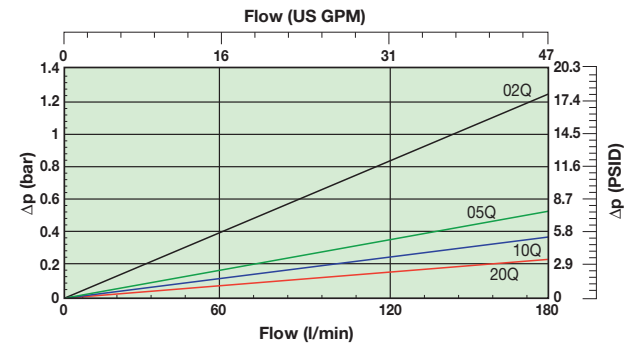
**TTF90 (Element length code 3)**



**TTF120 (Element length code 4)**



**TTF150 (Element length code 5)**



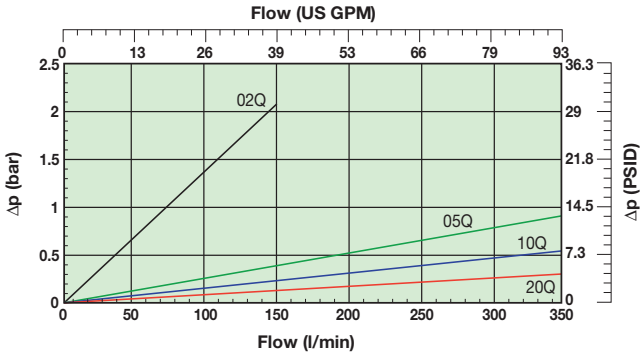
## Pressure Drop Curves (cont.)

The recommended level of the initial pressure drop for low pressure filters is max 0.5 bar.

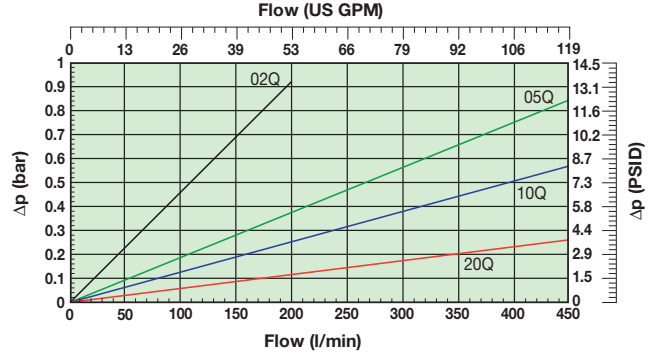
If the medium used has a viscosity different from 32cSt, pressure drop over the filter can be estimated as follows:

$$\Delta p = (\Delta p_{32} \times \text{viscosity of medium used}) / 32\text{cSt}$$

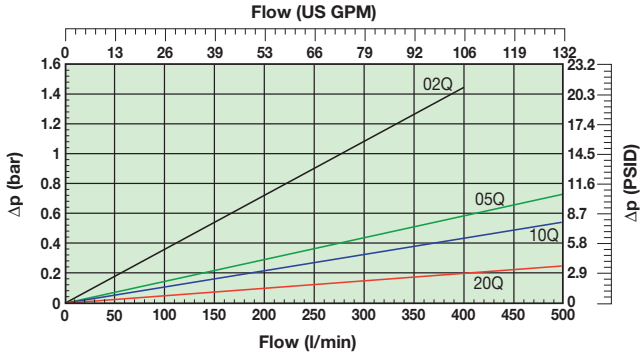
### TTF170 (Element length code 6)



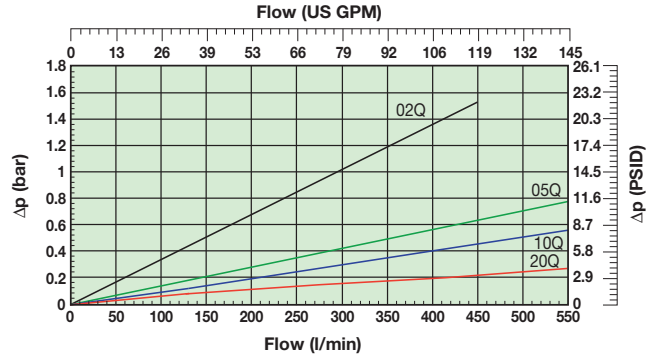
### TTF230 (Element length code 7)



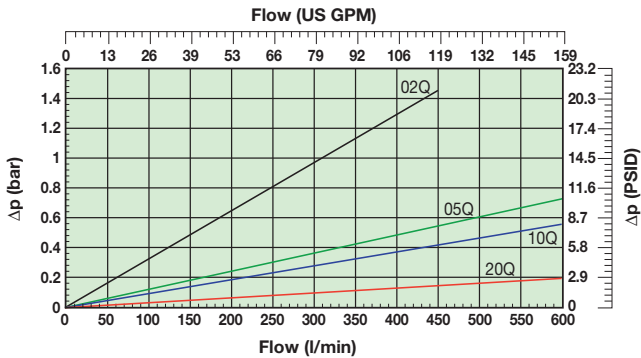
### TTF300 (Element length code 8)



### TTF400 (Element length code 9)



### TTF500 (Element length code 10)

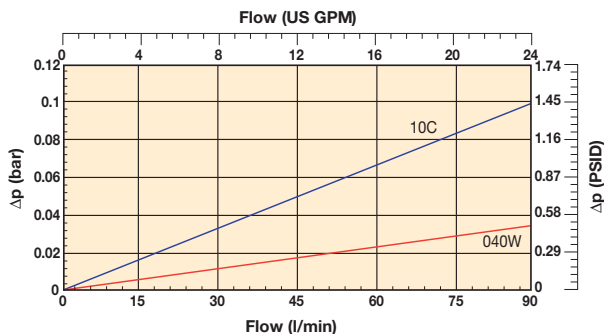


# TTF Series

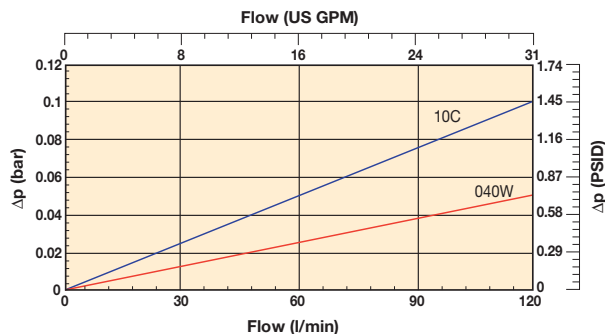
## Tanktop Mounted Return Line Filters

### Pressure Drop Curves (cont.)

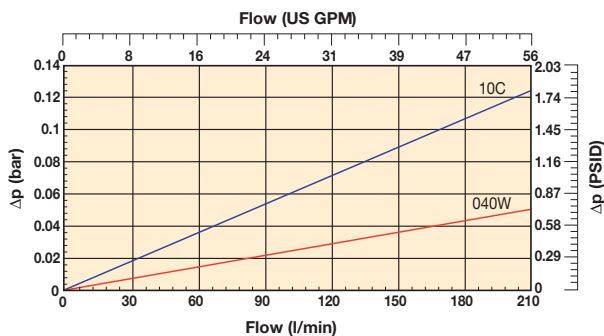
**TTF60 (Element length code 2)**  
Cellulose & stainless steel media



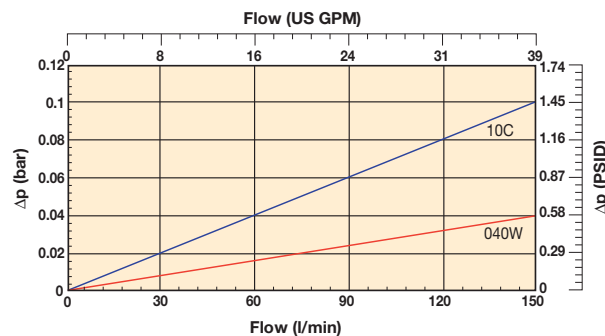
**TTF90 (Element length code 3)**  
Cellulose & stainless steel media



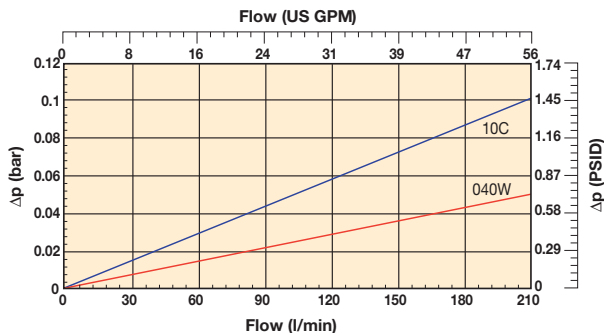
**TTF120 (Element length code 4)**  
Cellulose & stainless steel media



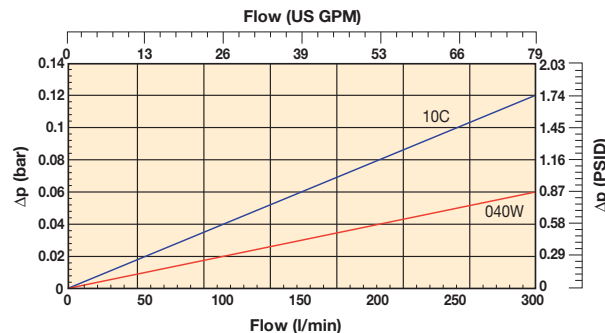
**TTF150 (Element length code 5)**  
Cellulose & stainless steel media



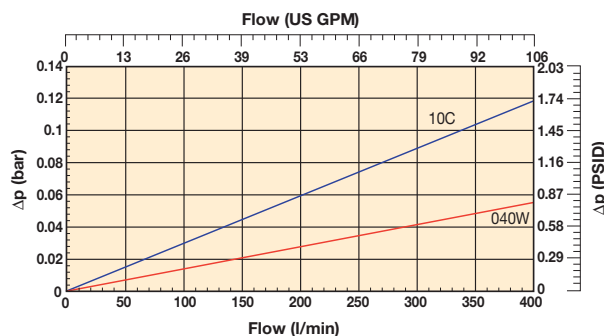
**TTF170 (Element length code 6)**  
Cellulose & stainless steel media



**TTF230 (Element length code 7)**  
Cellulose & stainless steel media



**TTF300 (Element length code 8)**  
Cellulose & stainless steel media

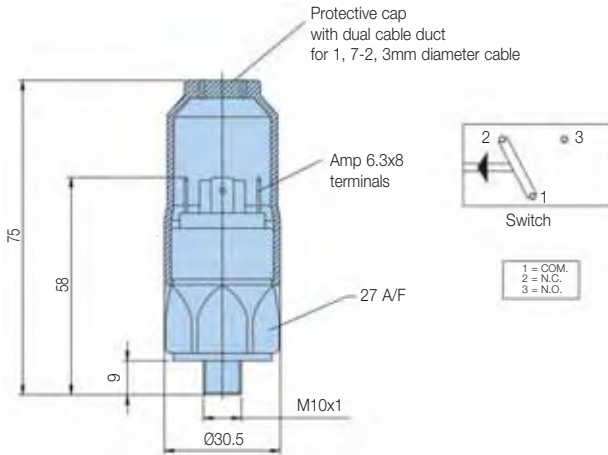


# TTF Series

## Tanktop Mounted Return Line Filters

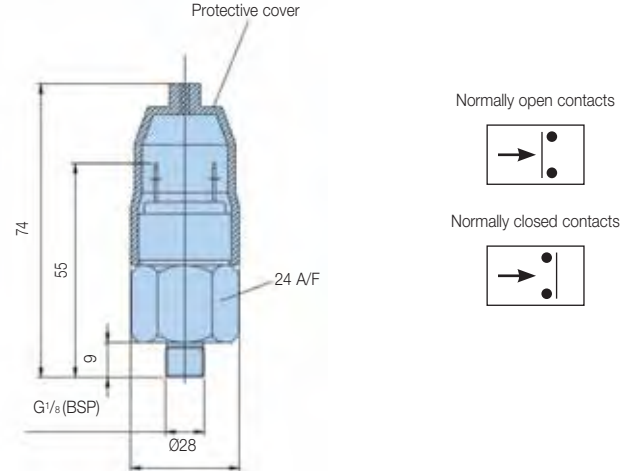
### Indicator Options

#### Indicator PS pressure switch



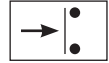
Specifications	
Elec.rating	42V / 4A
Thread connection	M10x1
Elec.connection	AMP 6.3x0.8 terminals + protective cap
Protection	IP65 (with cap) terminals IP00
Code	FMUS1EBMM10L (Switch)

#### Indicator PS NO/NC pressure switch

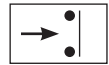


Specifications	
Elec.rating	42V / 2A
Thread connection	G1/8
Elec.connection	AMP terminal 6.3x0.8
Protection	IP65 (terminal IP00)
Switch type	NO or NC
Code	FMUS2EBMG02L (NO switch) FMUS3EBMG02L (NC switch)

Normally open contacts



Normally closed contacts



#### Indicator Connection / Filter Head Matrix

Port(s) Filter head	Indicator Thread
TTF ISO 228-G <sup>3</sup> / <sub>4</sub> " (BSP) (TTF length 2,3,4 and 5)	M10
ISO 228-G1" (BSP)	M10
ISO 228-G1 <sup>1</sup> / <sub>2</sub> " (BSP) (TTF length 6 and larger)	M10
2xISO 228-G1 <sup>1</sup> / <sub>4</sub> " (BSP) (TTF length 6 and larger)	G1/8"
ISO 228-G1 <sup>1</sup> / <sub>2</sub> "(BSP) (TTF length 6 and larger)	M10
2xISO 228-G1 <sup>1</sup> / <sub>2</sub> "(BSP) (TTF length 6 and larger)	G1/8"
1 <sup>1</sup> / <sub>2</sub> " SAE-3000 PSI (TTF length 6 and larger)	G1/8"
1 <sup>1</sup> / <sub>2</sub> " SAE-3000 PSI (2nd port) + G1 <sup>1</sup> / <sub>2</sub> " (TTF length 6 and larger)	G1/8"
G2" (TTF length 6 and larger)	G1/8"
G2" + G1 <sup>1</sup> / <sub>2</sub> " (TTF length 6 and larger)	G1/8"

<b>Visual indicator</b>	1.2 bar
M10: code	FMUG1EBPM10L
G1/8: code	FMUG2EBPG02L

### Ordering Information

#### Standard products table

Part number	Supersedes	Flow (l/min)	Model number	Element length	Media rating (μ)	Seals	Indicator	Bypass settings	Ports	Included options	Replacement elements	Supersedes
TTF310QLBP2EG121	TTF90-G <sup>3</sup> / <sub>4</sub> TXWL3-10 B15 MM	90	TTF90	Length 3	10	Nitrile	Plugged	1.5 Bar (22 Psi)	G <sup>3</sup> / <sub>4</sub>	None	937878Q	TXWL3-10
TTF320QLBP2EG121	TTF90-G <sup>3</sup> / <sub>4</sub> TXWL3-20 B15 MM	90	TTF90	Length 3	20	Nitrile	Plugged	1.5 Bar (22 Psi)	G <sup>3</sup> / <sub>4</sub>	None	937877Q	TXWL3-20
TTF510QLBP2EG161	TTF125-G1 TXWL3E-10 B15 MM	125	TTF125	Length 5	10	Nitrile	Plugged	1.5 Bar (22 Psi)	G1	None	937852Q	TXWL3E-10
TTF520QLBP2EG161	TTF125-G1 TXWL3E-20 B15 MM	125	TTF125	Length 5	20	Nitrile	Plugged	1.5 Bar (22 Psi)	G1	None	937875Q	TXWL3E-20
TTF610QLBP2EG203	TTF170-G1 <sup>1</sup> / <sub>2</sub> TXWL4-10 T B15 MM	170	TTF170	Length 6	10	Nitrile	Plugged	1.5 Bar (22 Psi)	G1 <sup>1</sup> / <sub>2</sub>	Diffuser type T	937853Q	TXWL4-10
TTF620QLBP2EG203	TTF170-G1 <sup>1</sup> / <sub>2</sub> TXWL4-20 T B15 MM	170	TTF170	Length 6	20	Nitrile	Plugged	1.5 Bar (22 Psi)	G1 <sup>1</sup> / <sub>2</sub>	Diffuser type T	937874Q	TXWL4-20
TTF810QLBP2EG243	TTF300-G1 <sup>1</sup> / <sub>2</sub> TXWL5A-10 T B15 MM	300	TTF300	Length 8	10	Nitrile	Plugged	1.5 Bar (22 Psi)	G1 <sup>1</sup> / <sub>2</sub>	Diffuser type T	937855Q	TXWL5A-10
TTF820QLBP2EG243	TTF300-G1 <sup>1</sup> / <sub>2</sub> TXWL5A-20 T B15 MM	300	TTF300	Length 8	20	Nitrile	Plugged	1.5 Bar (22 Psi)	G1 <sup>1</sup> / <sub>2</sub>	Diffuser type T	937872Q	TXWL5A-20
TTF1010QLBP2HG24A	TTF500-G1 <sup>1</sup> / <sub>2</sub> TXWL5C-10 T B20 MM NMG	500	TTF500	Length 10	10	Nitrile	Plugged	2.0 Bar (29 Psi)	G1 <sup>1</sup> / <sub>2</sub>	Diffuser type T	937857Q	TXWL5C-10
TTF1010QLBP2HG24A	TTF500-G1 <sup>1</sup> / <sub>2</sub> TXWL5C-20 T B20 MM NMG	500	TTF500	Length 10	20	Nitrile	Plugged	2.0 Bar (29 Psi)	G1 <sup>1</sup> / <sub>2</sub>	Diffuser type T	937870Q	TXWL5C-20

Note: Filter assemblies ordered from the product configurator on the next page are on extended lead times. Where possible, please make your selection from the table above.

# TTF Series

## Tanktop Mounted Return Line Filters

### Ordering Information (cont.)

#### Product configurator

#### Configurator example of a TTF Series filter

Box 1	Box 2	Box 3	Box 4	Box 5	Box 6	Box 7	Box 8
<b>TTF</b>	<b>9</b>	<b>05QL</b>	<b>V</b>	<b>S3</b>	<b>H</b>	<b>L24</b>	<b>1</b>

Box 1	Box 2	Box 3								
Code	Filter type		Degree of filtration							
TTF	Housing	Code	Element media		Glass fibre				Wire mesh	
	TTF 1-60	2			Microglass III (for disposable elements)				Abs. rating	
	TTF 1-90	3			Cellulose		Ecoglass III (for Leif® elements)			
	TTF 1-120	4			Nom. rating					
	TTF 1-120	4A	Disposable element		10C	02Q	05Q	10Q	20Q	040W
	TTF 1-120	4B	<b>LEIF® element</b>			02QL	05QL	10QL	20QL	
	TTF 1-150	5								
	TTF 2-170	6								
	TTF 2-230	7								
	TTF 2-300	8								
	TTF 2-400	9								
	TTF 2-500	10								

Box 4	Seal type	
	Seal material	Code
	Nitrile	<b>B</b>
	Fluorelastomer	V
	Neoprene	On request

Box 5	Indicator	
		Code
	Pressure gauge, setting 1.2 bar, M10x1*	<b>G1</b>
	Pressure gauge, setting 1.2 bar, G $\frac{1}{8}$ for dual head ports	G2
	Pressure switch 42V, 1.2 bar setting, NO/NC, M10x1*	<b>S1</b>
	Pressure switch 42V, 1.2 bar setting, NO with G $\frac{1}{8}$ BSP*	S2
	Pressure switch 42V, 1.2 bar setting, NC with G $\frac{1}{8}$ BSP*	S3
	Pressure switch 250V, NO/NC with G $\frac{1}{8}$ *	S4
	Pressure switch 220V, NO/NC with M10*	S5
	No indicator, indicator ports not machined	On request
	No indicator, indicator ports L + R plugged	<b>P2</b>
	Other settings for indicators / gauges on request	on request

Box 6	Bypass valve	
	Bypass valve	Code
	0.8 bar	B
	1.5 bar	<b>E</b>
	2.0 bar for TTF series	H
	Blocked bypass	X
	Other bypass settings	on request

Note: \* HEAD HAS PLUGGED INDICATOR CONNECTIONS L+R  
 Note: Also see the table indicator Connection/Filter Head Matrix on page 29

Box 7	Filter connection	
	Ports	Code
	ISO 228-G $\frac{1}{4}$ * (BSP) (TTF length 2,3,4 and 5)	<b>G12</b>
	ISO 228-G1* (BSP) (TTF length 2,3,4 and 5)	<b>G16</b>
	ISO 228-G1 $\frac{1}{2}$ * (BSP) (TTF length 6 and larger)	<b>G20</b>
	2xISO 228-G1 $\frac{1}{4}$ * (BSP) (TTF length 6 and larger)	2G20
	ISO 228-G1 $\frac{1}{2}$ * (BSP) (TTF length 6 and larger)	<b>G24</b>
	2xISO 228-G1 $\frac{1}{2}$ * (BSP) (TTF length 6 and larger)	2G24
	1 $\frac{1}{2}$ " SAE-3000 PSI (TTF length 6 and larger)	On request
	1 $\frac{1}{2}$ " SAE-3000 PSI (2nd port) + G1 $\frac{1}{2}$ " (TTF length 6 and larger)	LD24
	G2" (TTF length 6 and larger)	On request
	G2" + G1 $\frac{1}{2}$ " (TTF length 6 and larger)	GM32

Box 8	Options	
	Options	Code
	No diffuser required	<b>1</b>
	Diffuser type T with perforated plate area	<b>3</b>
	Diffuser type P without perforated plate area	4
	Diffuser with integrated hose connection for TTF lengths 2, 3 and 4	On request
	No magnets	5
	Plugged filling port	8
	Diffuser type T and no magnets	<b>A</b>
	Diffuser type P and no magnets	B
	Diffuser type T, no magnets, plugged filling port	C
	Diffuser type P, no magnets, plugged filling port	D
	Air tight diffuser type T	G
	Air tight diffuser type P	H
	Other combinations	on request

Degree of filtration						Media code
Average filtration beta ratio $\beta$ (ISO 16889) / particle size $\mu\text{m}$ [c]						
$\beta(x)=2$	$\beta(x)=10$	$\beta(x)=75$	$\beta(x)=100$	$\beta(x)=200$	$\beta(x)=1000$	
% efficiency, based on the above beta ratio ( $\beta_x$ )						
50.0%	90.0%	98.7%	99.0%	99.5%	99.9%	
N/A	N/A	N/A	N/A	N/A	4.5	<b>02Q/02QL</b>
N/A	N/A	4.5	5	6	7	<b>05Q/05QL</b>
N/A	6	8.5	9	10	12	<b>10Q/10QL</b>
6	11	17	18	20	22	<b>20Q/20QL</b>

#### Highlights Key (Denotes part number availability)

<b>123</b>	Item is standard
<b>123</b>	Item is standard green option
<b>123</b>	Item is semi standard
123	Item is non standard

Note: Standard items are in stock, semi standard items are available within four weeks



## Ordering Information (cont.)

### Supersedes Spare Element table (TXWL & PXWL replaced by 900000 number)

TTF60	TXWL2-2	TXWL2-5	TXWL2-10	TXWL2-20
Part number spare element	937823Q	937880Q	937881Q	937882Q
TTF90	TXWL3-2	TXWL3-5	TXWL3-10	TXWL3-20
Part number spare element	937824Q	937879Q	937878Q	937877Q
TTF120	TXWL3D-2	TXWL3D-5	TXWL3D-10	TXWL3D-20
Part number spare element	937825Q	937825Q	937851Q	937876Q
TTF125	TXWL3E-2	TXWL3E-5	TXWL3E-10	TXWL3E-20
Part number spare element	937826Q	937849Q	937852Q	937875Q
TTF170	TXWL4-2	TXWL4-5	TXWL4-10	TXWL4-20
Part number spare element	937827Q	937848Q	937853Q	937874Q
TTF230	TXWL5-2	TXWL5-5	TXWL5-10	TXWL5-20
Part number spare element	937828Q	937847Q	937854Q	937873Q
TTF300	TXWL5A-2	TXWL5A-5	TXWL5A-10	TXWL5A-20
Part number spare element	937829Q	937846Q	937855Q	937872Q
TTF400	TXWL5B-2	TXWL5B-5	TXWL5B-10	TXWL5B-20
Part number spare element	937830Q	937845Q	937856Q	937871Q
TTF500	TXWL5C-2	TXWL5C-5	TXWL5C-10	TXWL5C-20
Part number spare element	937831Q	937844Q	937857Q	937870Q

### Supersedes Spare Element table (TXW & TXX replaced by 900000 number)

TTF60	TXX2-10-B	TXW2-2-B	TXW2-5-B	TXW2-10-B	TXW2-20-B	ST2-40-B
Part number spare element	937721	937751Q	937754Q	937787Q	937790Q	937820
TTF90	TXX3-10-B	TXW3-2-B	TXW3-5-B	TXW3-10-B	TXW3-20-B	ST3-40-B
Part number spare element	937722	937750Q	937755Q	937786Q	937791Q	937819
TTF120	TXX3D-10-B	TXW3D-2-B	TXW3D-5-B	TXW3D-10-B	TXW3D-20-B	ST3D-40-B
Part number spare element	937723	937749Q	937756Q	937785Q	937792Q	937818
TTF125	TXX3E-10-B	TXW3E-2-B	TXW3E-5-B	TXW3E-10-B	TXW3E-20-B	ST3E-40-B
Part number spare element	937724	937748Q	937757Q	937784Q	937793Q	937817
TTF170	TXX4-10-B	TXW4-2-B	TXW4-5-B	TXW4-10-B	TXW4-20-B	ST4-40-B
Part number spare element	937725	937747Q	937758Q	937783Q	937794Q	937816
TTF230	TXX5-10-B	TXW5-2-B	TXW5-5-B	TXW5-10-B	TXW5-20-B	ST5-40-B
Part number spare element	937726	937746Q	937759Q	937782Q	937795Q	937815
TTF300	TXX5A-10-B	TXW5A-2-B	TXW5A-5-B	TXW5A-10-B	TXW5A-20-B	ST5A-40-B
Part number spare element	937727	937745Q	937760Q	937781Q	937796Q	937814

## TTF Series Seal Kit

TTF Filter connections	Nitrile Seal Kit
Ports	Part Number
ISO 228-G $\frac{1}{4}$ " (BSP) (TTF length 2,3,4 and 5)	<b>2049010012</b>
ISO 228-G1" (BSP) (TTF length 2,3,4 and 5)	<b>2049010012</b>
ISO 228-G1 $\frac{1}{4}$ " (BSP) (TTF length 6 and larger)	<b>2049010012</b>
2xISO 228-G1 $\frac{1}{4}$ " (BSP) (TTF length 6 and larger)	<b>918045035</b>
ISO 228-G1 $\frac{1}{2}$ " (BSP) (TTF length 6 and larger)	<b>2049010013</b>
2xISO 228-G1 $\frac{1}{2}$ " (BSP) (TTF length 6 and larger)	<b>918045035</b>
1 $\frac{1}{2}$ " SAE-3000 PSI (TTF length 6 and larger)	<b>918045035</b>
1 $\frac{1}{2}$ " SAE-3000 PSI (2nd port) + G1 $\frac{1}{2}$ " (TTF length 6 and larger)	<b>918045035</b>
G2" (TTF length 6 and larger)	<b>918045035</b>
G2" + G1 $\frac{1}{2}$ " (TTF length 6 and larger)	<b>918045035</b>





# STF Series

Return Line Filters

Max. 500 l/min - 10 bar



## When safety is a must

Where the use of aluminium is restricted in applications such as marine and industrial, the STF return line filter series provides an ideal solution to hydraulic system designers and specifiers.



## Contact Information:

Parker Hannifin  
Hydraulic Filter Division Europe

European Product  
Information Centre  
Freephone: 00800 27 27 5374  
(from AT, BE, CH, CZ, DE, EE, ES,  
FI, FR, IE, IT, PT, SE, SK, UK)  
filtrationinfo@parker.com

[www.parkerhfde.com](http://www.parkerhfde.com)

## Product Features:

- 'In-to-out' filtration design means contaminated oil cannot leak back into the system
- magnetic pre-filtration
- Cast iron filter head assembly
- multiple port configuration
- flows up to 500 L/min
- 10 bar maximum working pressure
- optional airtight diffusers
- LEIF® low environmental impact filter elements as standard

# STF Series

## Return Line Filters

### Features & Benefits

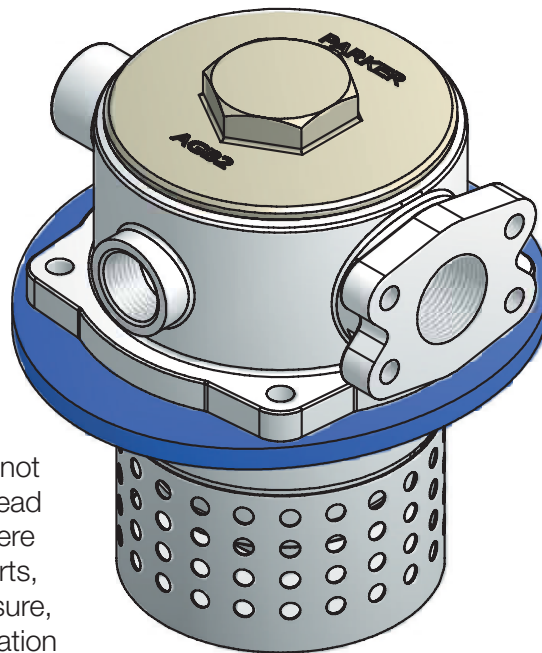
Features	Advantages	Benefits
10 bar rated filter	Can be utilised for severe return line applications	Reduced downtime due to premature filter failures
Cast iron head	Robust design	Convenient and effective solution for applications where aluminium is not allowed
LEIF® elements	Patented element safeguards the use of genuine parts	Guaranteed quality of filtration Contributes to ISO 14001 certification
Magnetic pre-filtration	Removes ferrous particles, even during bypass conditions	Improved fluid cleanliness levels Extended element life time
In-to-Out filtration	All captured contamination retains inside the element	No recontamination of system during change of elements
High level of customisation	Dedicated system-matched solutions can be easily made available	Improved integration of filter in system combined with lower initial system costs
Quick response bypass with low hysteresis	Reduction of bypass period due to low hysteresis Only a small part of the total flow is bypassing the element	Improved protection of system
Standard or customised funnel	Ensures that oil enters the tank under the oil level	Significant reduction of oil foaming

### Typical Applications

- Marine power pack
- Steel mills
- Mining equipment
- Drilling equipment

### The Parker Filtration STF Series Return Line Filters

STF Tank top mounted return filters feature pre-filtration by means of a magnet column and a bypass with low hysteresis. Thanks to the “In-to-Out” filtration principle, contaminated oil cannot leak back into the system. The STF filter has a casted iron filter head assembly, making it ideal for marine and industrial applications where the use of aluminium is restricted. The filter head with multiple ports, capable of handling flow up to 500 l/min at 10 bar working pressure, represents an easy and effective way of integrating return line filtration with power packs. Optional airtight diffusers are standard to avoid air ingress in the return line.



# Specification

**Operation pressure:**  
Max. 10 bar

**Assembly**  
Tank top mounted

**Connections**  
SAE flange  
Threaded BSP ports

**Filter housing and cover**  
Cast Iron (GGG40)

**Seal material:**  
Nitrile, Fluorelastomer

**Operating temperature:**  
Seal material Nitrile: -40°C to +100°C  
Seal material Fluoroelastomer: -20°C to +120°C

**Bypass setting**  
Opening pressure 0,8 / 1,5 / 2,0 bar

**Degree of filtration**  
Determined by multipass test in accordance to ISO16889

**Flow fatigue characteristics**  
Filter media is supported so that the optimum fatigue life is achieved

**Filtration media**  
Microglass III and Ecoglass III for *LEIF*® elements  
Also available 10 µm cellulose and 40 µm stainless steel mesh

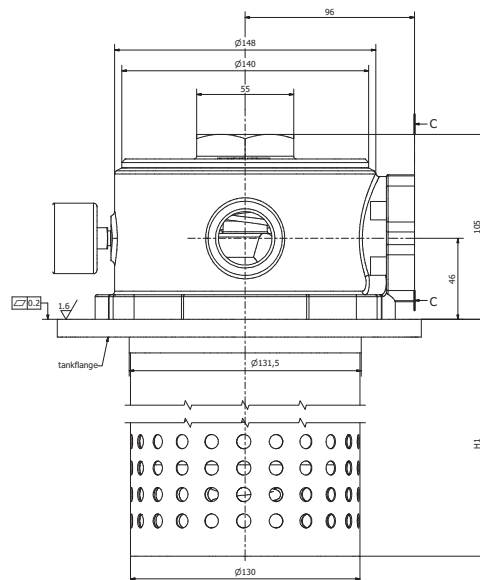
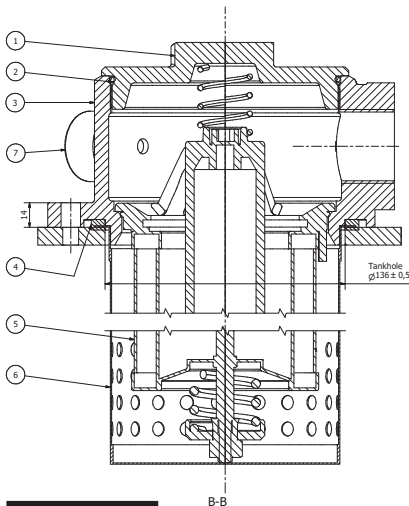
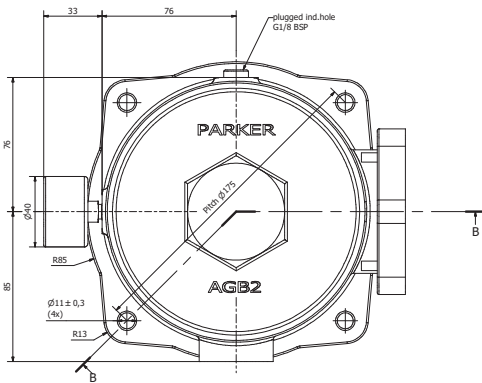
**Element collapse pressure**  
10 bar (ISO 2941)

**Pressure indicator options**  
Setting 0,7 and 1,2 bar  
Visual pressure gauge  
Electrical pressure switch

**Options**  
Diffuser type P (straight pipe, no perforated plate area)  
Diffuser type T (with closed diffuser end cap and with perforated plate area, recommended when oil entry in the reservoir is close to the bottom or to ensure oil enters the reservoir under the oil level)

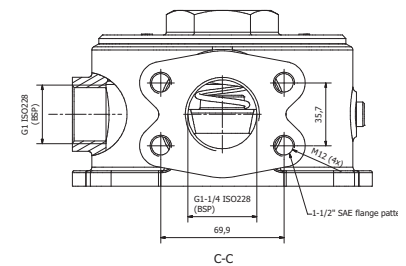
**Magnetic pack**  
Standard, only not included for STF 400 and 500

**Filter element**  
*LEIF*® element with reusable metal element sleeve  
Optional conventional style element with steel end caps  
The *LEIF*® element is patented and safeguards the use of genuine parts.  
Note:  
*LEIF*® element can be used with mineral and HEES type oils  
For other fluids consult Parker Filtration  
*LEIF*® element contributes to ISO14001 quality standards



STF Without Diffuser		
STF Length	Type	H1
6	STF170	223
7	STF230	303
8	STF300	508
9	STF400	523
10	STF500	563

STF With Diffuser		
STF Length	Type	H1
6	STF170	305
7	STF230	305
8	STF300	510
9	STF400	525
10	STF500	575



# STF Series

## Return Line Filters

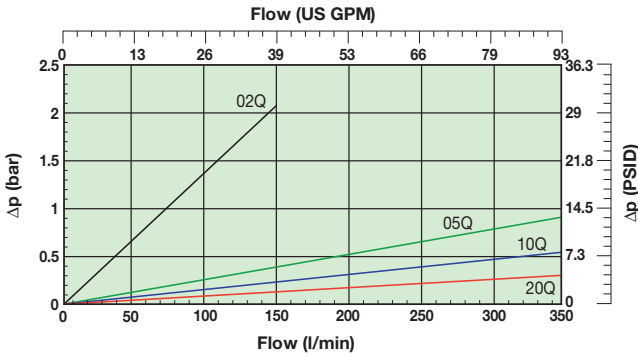
### Pressure Drop Curves

The recommended level of the initial pressure drop for low pressure filters is max 0.5 bar.

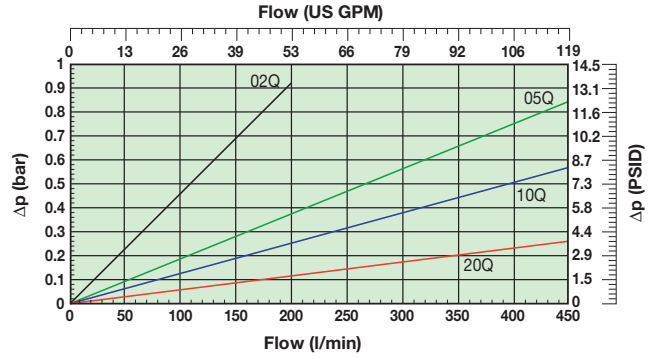
If the medium used has a viscosity different from 32cSt, pressure drop over the filter can be estimated as follows:

$$\Delta p = (\Delta p_{32} \times \text{viscosity of medium used}) / 32\text{cSt}$$

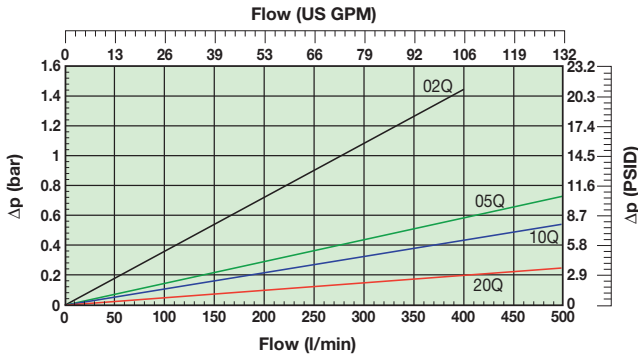
**STF170 (Element length code 6)**



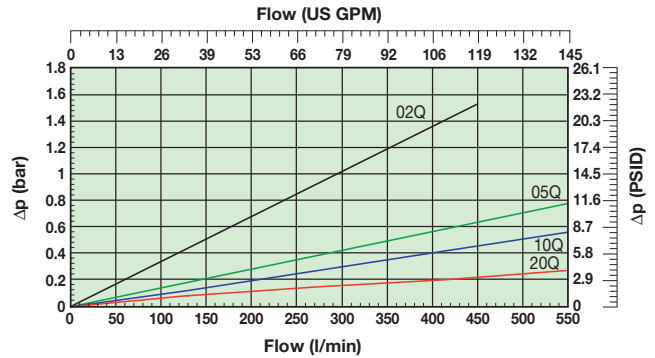
**STF230 (Element length code 7)**



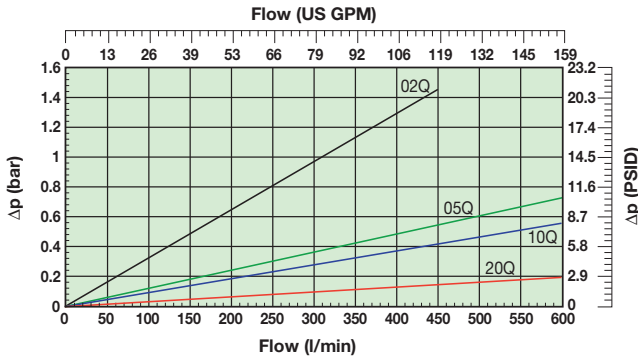
**STF300 (Element length code 8)**



**STF400 (Element length code 9)**

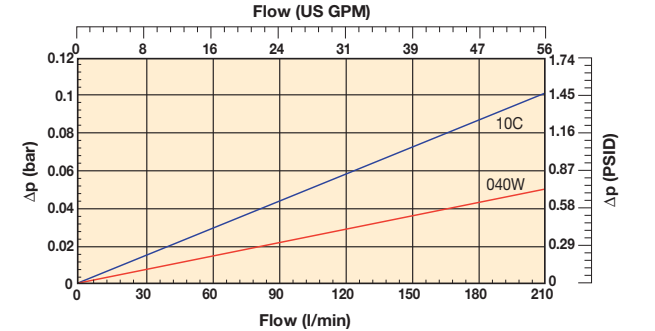


**STF500 (Element length code 10)**



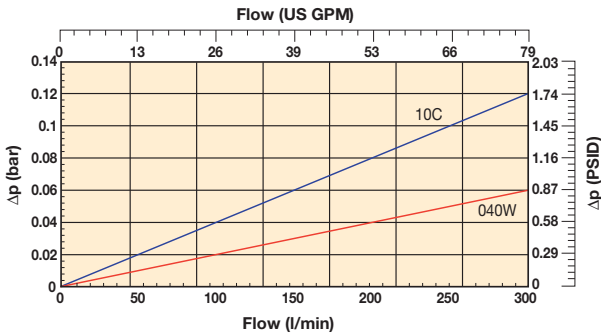
**STF170 (Element length code 6)**

**Cellulose & stainless steel media**



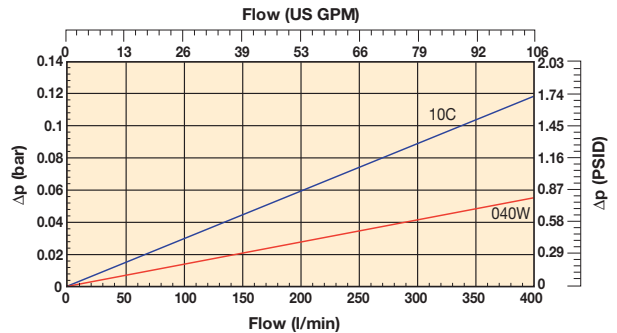
**STF230 (Element length code 7)**

**Cellulose & stainless steel media**



**STF300 (Element length code 8)**

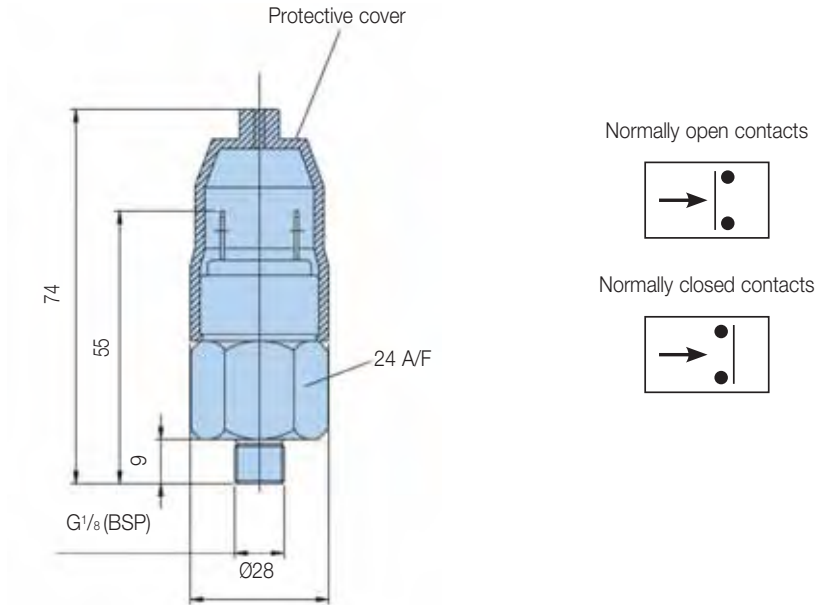
**Cellulose & stainless steel media**



# STF Series

## Return Line Filters

### Indicator PS NO/NC pressure switch



Specifications	
Electrical rating	42V / 2A
Thread connection	G1/8"
Electrical connection	AMP terminal 6.3x0.8
Protection	IP65 (terminal IP00)
Switch type	NO or NC
Indicator setting	1.2 bar (0.7 bar on request)
Code	FMUS2EBMG02L (NO type switch) FMUS3EBMG02L (NC type switch)

Visual indicator	Code
1.2 bar	FMUG2EBPG02L

LEIF Spare Element table				
	2 micron	5 micron	10 micron	20 micron
STF170 Part number spare element	937827Q	937848Q	937853Q	937874Q
STF230 Part number spare element	937828Q	937847Q	937854Q	937873Q
STF300 Part number spare element	937829Q	937846Q	937855Q	937872Q
STF400 Part number spare element	937830Q	937845Q	937856Q	937871Q
STF500 Part number spare element	937831Q	937844Q	937857Q	937870Q

Conventional Spare Element table Microglass III Media						
	10 micron cellulose	2µ Microglass III	5µ Microglass III	10µ Microglass III	20µ Microglass III	40 micron stainless steel mesh
TTF170 Part number spare element	937725	937747Q	937758Q	937783Q	937794Q	937816
TTF230 Part number spare element	937726	937746Q	937759Q	937782Q	937795Q	937815
TTF300 Part number spare element	937727	937745Q	937760Q	937781Q	937796Q	937814

# Ordering Information

Standard products table										
Part Number	Flow (l/min)	Model Number	Element Length	Media Rating (u)	Seals	Indicator	Bypass Setting	Ports	Included Options	Replacement Elements
STF810QLBP2ELC24G	300	STF300	8	10	Nitrile	Plugged	1.5 Bar	11/2"SAE-flange	Airtight funnel typeT	937855Q
STF820QLBP2ELC24G	300	STF300	8	20	Nitrile	Plugged	1.5 Bar	11/2"SAE-flange	Airtight funnel typeT	937872Q
STF1010QLBP2ELC24G	500	STF500	10	10	Nitrile	Plugged	1.5 Bar	11/2"SAE-flange	Airtight funnel typeT	937857Q
STF1020QLBP2ELC24G	500	STF500	10	20	Nitrile	Plugged	1.5 Bar	11/2"SAE-flange	Airtight funnel typeT	937870Q

## Product configurator

### Configurator example of a STF Series filter

Box 1	Box 2	Box 3	Box 4	Box 5	Box 6	Box 7	Box 8
STF	8	05QL	B	S2	E	LC24	G

Code	Filter type		Degree of filtration							
STF	Housing	Code	Element media		Nominal Cellulose	Filtration fineness absolute			Stainless steel mesh	
	STF 2-170	6	LEIF <sup>®</sup>		Q3 glassfibre βx(c) >200					
	STF 2-230	7			10µm	Q02 (2micron)	Q05 (5micron)	Q010 (10micron)	Q020 (20micron)	40µm
	STF 2-300	8	Disposable element		10C	02Q	05Q	10Q	20Q	040W
	STF 2-400	9	LEIF <sup>®</sup> element			02QL	05QL	10QL	20QL	
	STF 2-500	10								

Seal type	
Seal material	Code
Nitrile	B
Fluorelastomer	V

Indicator	
	Code
Pressure gauge , setting 1.2 bar, G1/8	G2
Pressure switch 42V, 1.2 bar setting, NO with G1/8 BSP	S2
Pressure switch 42V, 1.2 bar setting, NC with G1/8 BSP	S3
Pressure switch 250V, NO/NC with G1/8	S4
No indicator, indicator ports L + R plugged	P2
Other settings for indicators / gauges on request	on request

Bypass valve	
Bypass valve	Code
0.8 bar	B
1.5 bar	E
2.0 bar for STF series	H
Blocked bypass	X
Other bypass settings	on request

Filter connection	
Ports	Code
1 1/2" SAE-3000 PSI + G1" (2nd port)	LC24
G1 1/4" + G1" (2nd port)	GL24

Options	
Options	Code
No diffuser required	1
Diffuser type T with perforated plate area	3
Diffuser type P without perforated plate area	4
Airtight diffuser type T with perforated plate area	G
Airtight diffuser type P without perforated plate area	H
Other combinations	on request

Note: STFsize 2-400 and 2-500 are standard supplied without magnets

Degree of filtration						Media code
Average filtration beta ratio β (ISO 16889) / particle size µm [c]						
βx(c)=2	βx(c)=10	βx(c)=75	βx(c)=100	βx(c)=200	βx(c)=1000	
% efficiency, based on the above beta ratio (βx)						
50.0%	90.0%	98.7%	99.0%	99.5%	99.9%	02Q/02QL
N/A	N/A	N/A	N/A	N/A	4.5	05Q/05QL
N/A	N/A	4.5	5	6	7	10Q/10QL
N/A	6	8.5	9	10	12	20Q/20QL
6	11	17	18	20	22	

### Highlights Key (Denotes part number availability)

123	Item is standard
123	Item is standard green option
123	Item is semi standard
123	Item is non standard

Note: Standard items are in stock, semi standard items are available within four weeks

# BGT Series

Tanktop Mounted Return Line Filters

Max. 2400 l/min - 10 bar



## Patented LEIF® elements safeguard filtration quality

**When high flow performance is needed**

The BGT Series features pre-filtration by means of a magnet column and a full flow bypass with low hysteresis. Maximum pressure 10 bar. Maximum flow 2400 l/min. LEIF® elements available up to 1500 l/min. Designed for a wide range of mobile and industrial applications



## Contact Information:

Parker Hannifin  
**Hydraulic Filter Division Europe**

**European Product Information Centre**  
Freephone: 00800 27 27 5374  
(from AT, BE, CH, CZ, DE, EE, ES, FI, FR, IE, IT, PT, SE, SK, UK)  
filtrationinfo@parker.com

www.parkerhfde.com

## Product Features:

- BGT features pre-filtration by means of a magnet column.
- Filter heads with multiple ports available.
- Flow from inside to out.
- Full flow bypass with low hysteresis.
- Maximum pressure 10 bar. Maximum flow 2400 l/min.
- Patented LEIF® elements safeguard filtration quality.

# BGT Series

## Tanktop Mounted Return Line Filters

### Features & Benefits

Features	Advantages	Benefits
10 bar rated filter	Can be utilised for severe return line applications	Reduced downtime due to premature filter failures
Cast aluminium head	Compact profile, lightweight and durable	Less weight, smaller envelop and cleaner appearance
LEIF® elements	Patented element safeguards the use of genuine parts	Guaranteed quality of filtration Contributes to ISO 14001 certification
Magnetic pre-filtration	Removes ferrous particles, even during bypass conditions	Improved fluid cleanliness levels Extended element life time
In-to-Out filtration	All captured contamination retains inside the element	No recontamination of system during change of elements
High level of customisation	Dedicated system-matched solutions can be easily made available	Improved integration of filter in system combined with lower initial system costs
Quick response bypass with low hysteresis	Reduction of bypass period due to low hysteresis Only a small part of the total flow is bypassing the element	Improved protection of system
Standard or customised funnel	Ensures that oil enters the tank under the oil level	Significant reduction of oil foaming

### Typical Applications

- Mobile cranes
- Excavators
- Deck cranes
- Fire fighting equipment
- Hydraulic presses
- Waste balers
- Industrial power units
- Fork lift trucks

### The Parker Filtration BGT Series Tank Mounted Return Line Filters.

BGT tanktop mounted return line filters feature pre-filtration by means of a magnet column and a quick response bypass with low hysteresis. Thanks to the 'In-to-Out' filter principle, contaminated oil cannot leak back into the system. BGT Filters are available in versions capable of handling flow rates up to 2400 l/min. They can operate with a maximum working pressure of 10 bar. LEIF® elements are available for environment-friendly filtration for versions up to 1500 l/min.





## Specification

### Operating pressure:

Max. 10 bar.

### Assembly:

Tank top mounted.

### Connections:

Flanges SAE2", 3".

Threaded ports and multiple ports available.

### Filter housing:

Aluminium head and cover.

### Seal material:

Nitrile, fluoroelastomer, neoprene.

### Operating temperature range:

Seal material Nitrile: -40° to +100°C.

Seal material Fluoroelastomer: -20° to +120°C.

### Bypass setting

Opening pressure 0.8 / 1.5 or 2 bar.

Other settings on request.

### Degree of filtration:

Determined by multipass test according to ISO 16889.

### Flow fatigue characteristics:

Filter media is supported so that the optimum fatigue life is achieved.

### Filtration media:

Microglass III and Ecoglass III for *LEIF*® elements.

Also available 10µm Cellulose and 40µm stainless steel mesh.

### Element collapse rating:

10 bar (ISO 2941).

### Pressure indicator options:

Setting 0.7 or 1.2 bar.

Other settings on request.

Visual pressure gauge.

Electrical pressure switch.

### Options:

Diffuser type P (straight pipe, no perforated plate area)

Diffuser type T (with closed diffuser end cap and with perforated plate area, recommended when oil entry in reservoir is close to the reservoir bottom or to ensure oil entry under the reservoir oil level)

### Magnetic pack:

Standard.

### Filling port in cover (optional):

BGT 3 = Plugged G1<sup>1</sup>/<sub>4</sub>. BGT 4 = Plugged G1<sup>1</sup>/<sub>2</sub>.

### Filter element:

*LEIF*® element with reusable metal element sleeve.

Conventional style element with steel end caps.

The *LEIF*® element is patented and safeguards the use of genuine parts.

### Note:

*LEIF*® element can be used with mineral and HEES type oils.

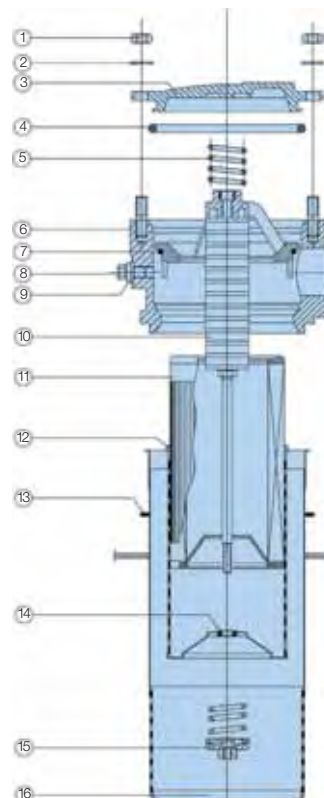
For other fluids consult Parker Filtration.

*LEIF*® contributes to ISO 14001 quality standards.

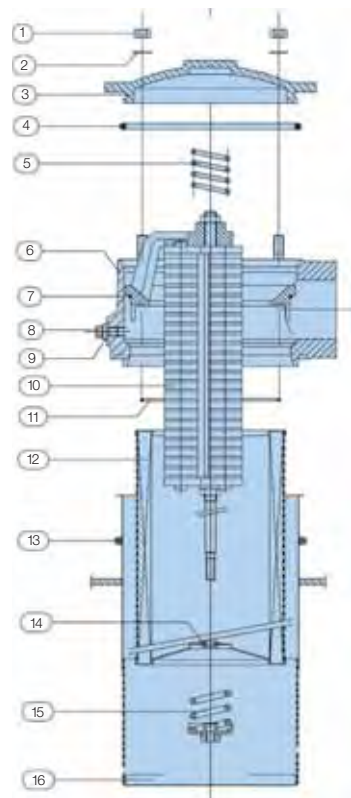
BGT-3 Length 11 and 12 ( <i>LEIF</i> ® version)		
Ref.	No.	Description
1	1	Nut
2	1	Washer
3	1	Cover
4	1	Cover-seal
5	1	Top-spring
6	1	Housing
7	1	Insert-seal
8	1	Plug M10x1
9	1	Bonded seal
10	1	Insert
11	1	<i>LEIF</i> ® element
12	1	Element sleeve
13	1	Gasket
14	1	O-ring
15	1	Bypass set
16	1	Diffuser

BGT-4 Length 13 and larger (conventional element)		
Ref.	No.	Description
1	1	Nut
2	1	Washer
3	1	Cover
4	1	Cover-seal
5	1	Top-spring
6	1	Housing
7	1	Insert-seal
8	1	Plug M10x1
9	1	Bonded seal
10	1	Insert
11	1	Element seal
12	1	Element
13	1	O-ring
14	1	O-ring
15	1	Bypass set
16	1	Diffuser

BGT-3 (*LEIF*® version)



BGT-4 (conventional element)

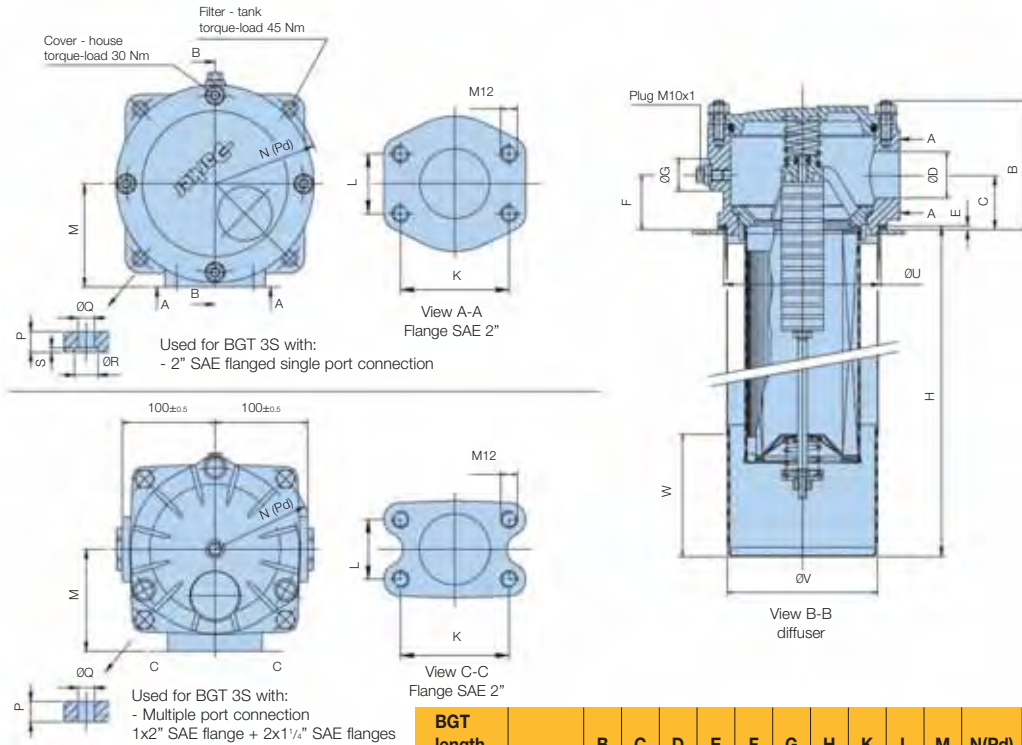


# BGT Series

## Tanktop Mounted Return Line Filters

### Specification (cont.)

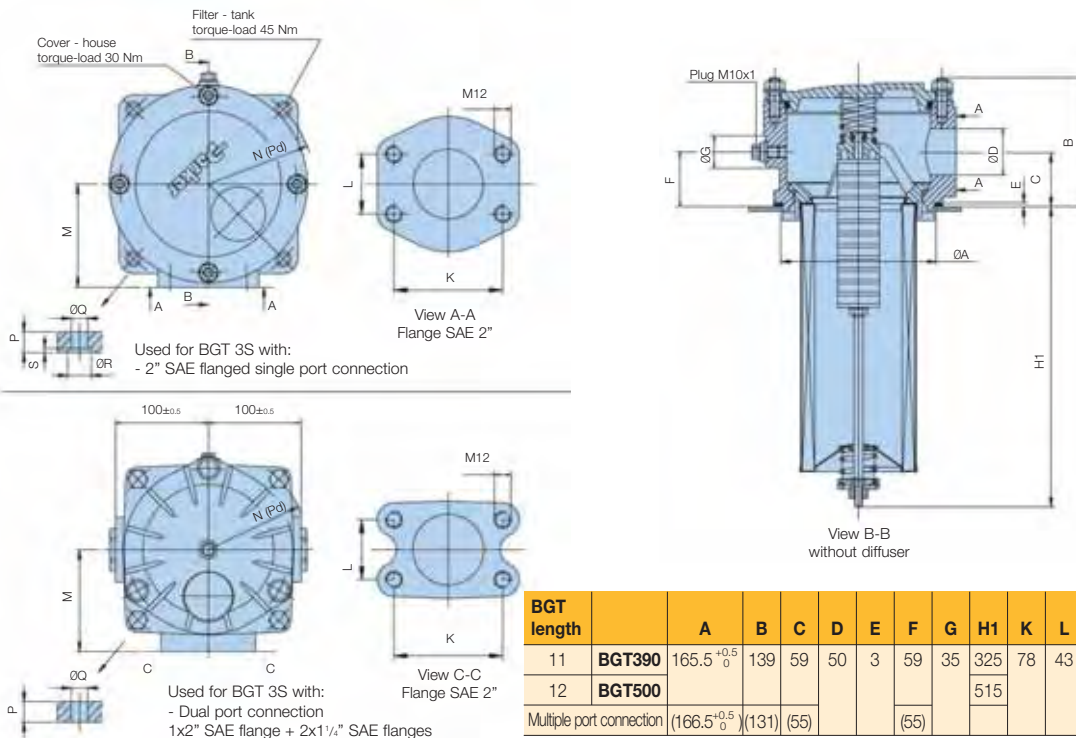
#### BGT-3 with diffuser



Dimensions in mm

BGT length		B	C	D	E	F	G	H	K	L	M	N(Pd)	P	Q	R	S	U	V	W	Kg.
11	<b>BGT390</b>	139	59	50	3	59	35	350	78	43	105	R107.5	14	13	16	3	165.5 <sup>+0.5</sup> <sub>0</sub>	165	120	7.2
12	<b>BGT500</b>							540												8.6
Multipleport connection		(131)	(55)			(55)					(110)		(15)				(166 <sup>+0.5</sup> <sub>0</sub> )			

#### BGT-3 without diffuser

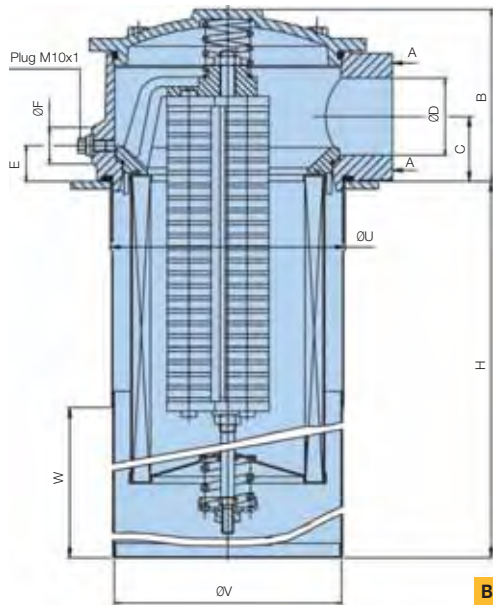


Dimensions in mm

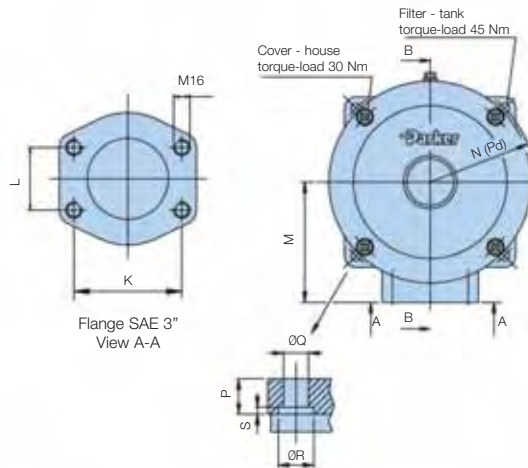
BGT length		A	B	C	D	E	F	G	H1	K	L	M	N(Pd)	P	Q	R	S	Kg.
11	<b>BGT390</b>	165.5 <sup>+0.5</sup> <sub>0</sub>	139	59	50	3	59	35	325	78	43	105	R107.5	14	13	16	3	7.2
12	<b>BGT500</b>								515									8.6
Multiple port connection		(166.5 <sup>+0.5</sup> <sub>0</sub> )	(131)	(55)			(55)					(110)		(15)				



## BGT-4 with diffuser



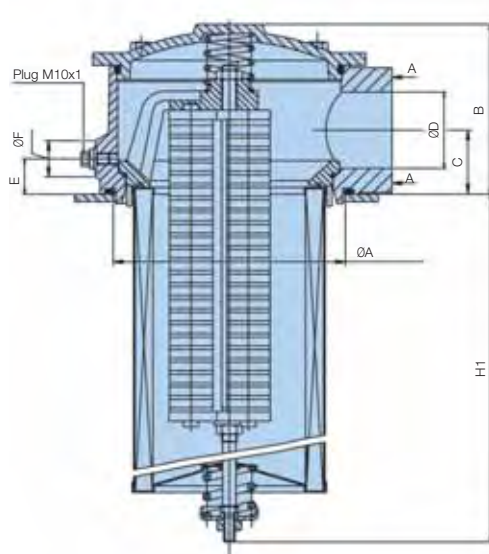
View B-B  
with diffuser



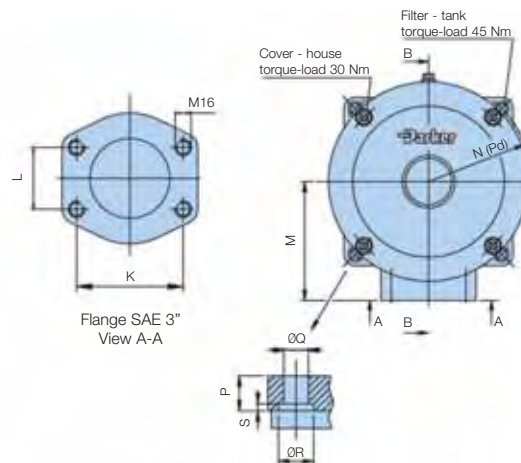
BGT length		B	C	ØD	E	ØF	H	K	L	M	N(Pd)	P	ØQ	ØR	S	ØU	ØV	W	Kg.
13	BGT600						425												20.5
14	BGT800						535												23.0
15	BGT1000	178	67	80	37	40	640	106.4	62	170	R147.5	20	14	20	4	240.5 <sup>+0.5</sup> <sub>0</sub>	240	170	25.5
16	BGT1500						920												30.0
17	BGT2000						1200												37.0
18	BGT2400						1200												37.0

Note: dimensions of BGT-2400 identical to BGT-2000. Dimensions in mm

## BGT-4 without diffuser



View B-B  
without diffuser



BGT length		ØA	B	C	ØD	E	ØF	H1	K	L	M	N(Pd)	P	ØQ	ØR	S	Kg.
13	BGT600							385									20.5
14	BGT800							495									23.0
15	BGT1000	239.5 <sup>+0.5</sup> <sub>0</sub>	178	67	80	37	40	598	106.4	62	170	R147.5	20	14	20	4	25.5
16	BGT1500							878									30.0
17	BGT2000							1143									37.0
18	BGT2400							1143									37.0

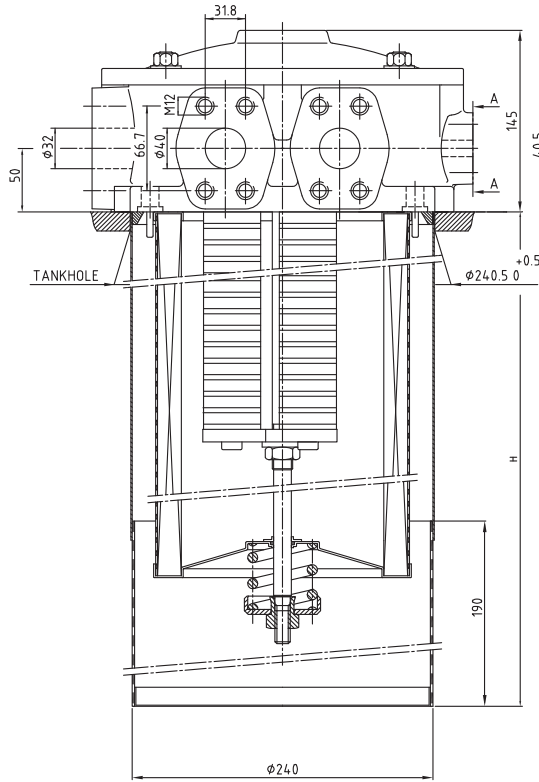
Note: dimensions of BGT-2400 identical to BGT-2000. Dimensions in mm

# BGT Series

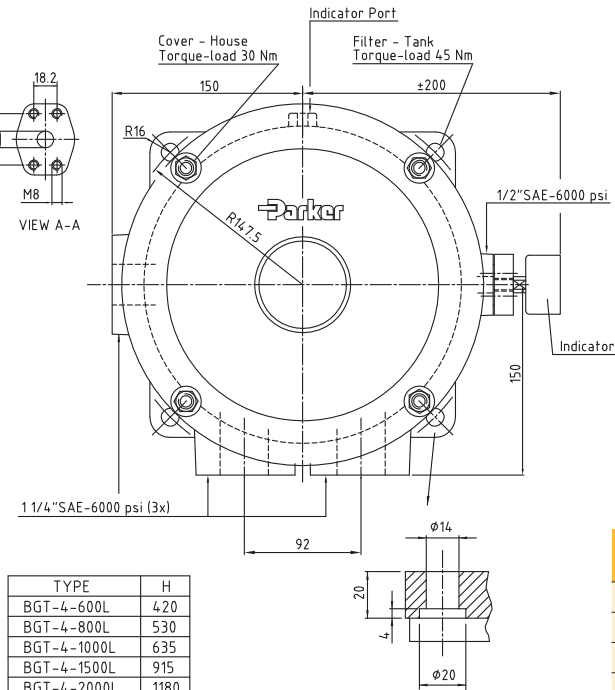
## Tanktop Mounted Return Line Filters

### Specification (cont.)

#### BGT F1<sup>1</sup>/<sub>4</sub> manifold type - with diffuser



WITH DIFFUSER

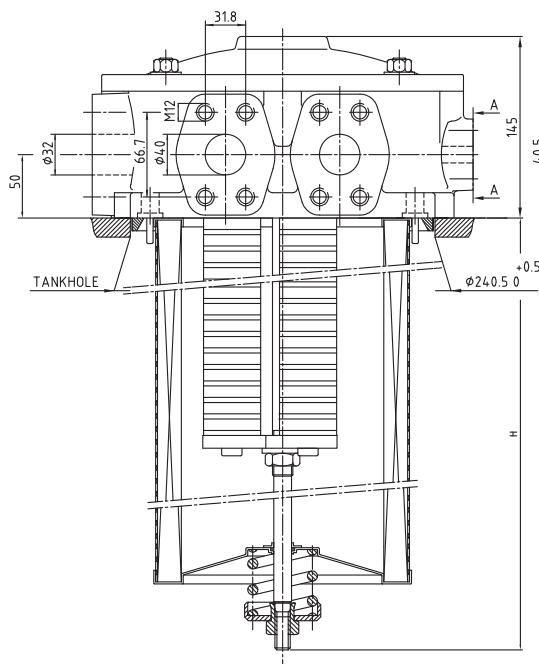


TYPE	H
BGT-4-600L	420
BGT-4-800L	530
BGT-4-1000L	635
BGT-4-1500L	915
BGT-4-2000L	1180

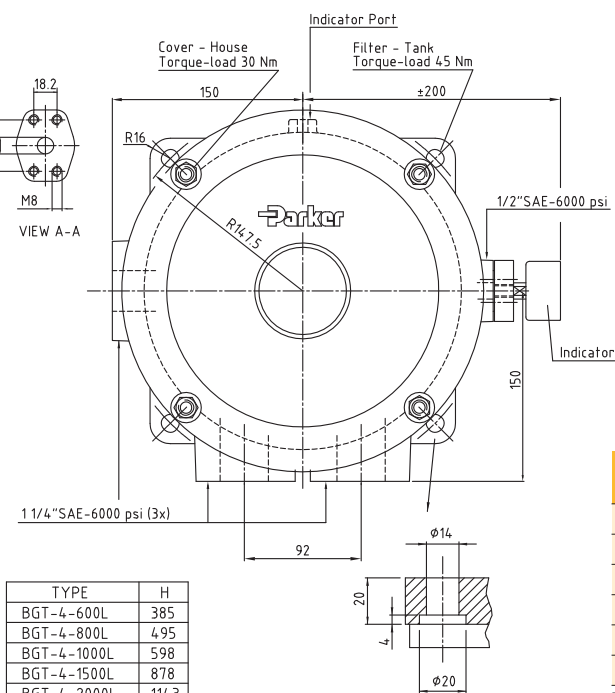
BGT length		H
13	<b>BGT600L</b>	420
14	<b>BGT800L</b>	530
15	<b>BGT1000L</b>	636
16	<b>BGT1500L</b>	915
17	<b>BGT2000L</b>	1180
18	<b>BGT2400L</b>	1180

Dimensions in mm

#### BGT F1<sup>1</sup>/<sub>4</sub> manifold type - without diffuser



WITHOUT DIFFUSER



TYPE	H
BGT-4-600L	385
BGT-4-800L	495
BGT-4-1000L	598
BGT-4-1500L	878
BGT-4-2000L	1143

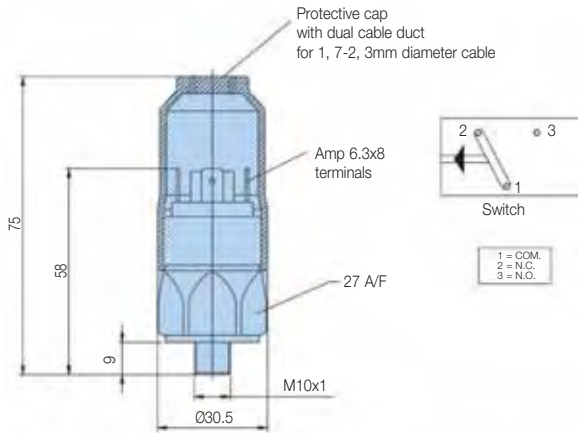
BGT length		H
13	<b>BGT600L</b>	385
14	<b>BGT800L</b>	495
15	<b>BGT1000L</b>	598
16	<b>BGT1500L</b>	878
17	<b>BGT2000L</b>	1143
18	<b>BGT2400L</b>	1143

Dimensions in mm



## Indicator Options

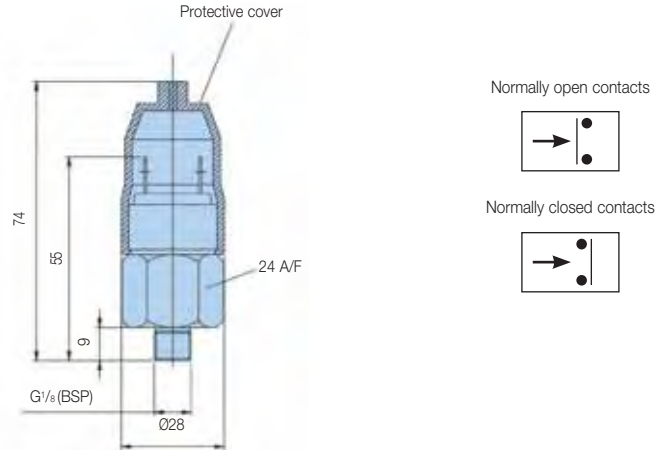
### Indicator PS pressure switch



Specifications	
Elec.rating	42V / 4A
Thread connection	M10x1
Elec.connection	AMP 6.3x0.8 terminals + protective cap
Protection	IP65 (with cap) terminals IP00
Code	FMUS1EBMM10L (Switch)

Indicator Connection / Filter Head Matrix	
Port(s) Filter head	Indicator Thread
2" SAE BGT length 11 and 12	M10
3" SAE BGT Length 13 and larger	M10
1x2"SAE Flanged + 2 x 1 1/4" SAE Flanged for BGT Length 11 and 12	G1/8"
3x1 1/4" SAE Flanges + 1x 1/2" SAE for BGT Length 13 and larger	M10

### Indicator PS NO/NC pressure switch



Specifications	
Elec.rating	42V / 2A
Thread connection	G1/8
Elec.connection	AMP terminal 6.3x0.8
Protection	IP65 (terminal IP00)
Switch type	NO or NC
Code	FMUS2EBMG02L (NO switch) FMUS3EBMG02L (NC switch)

<b>Visual indicator</b>	1.2 bar
M10 code	FMUG1EBPM10L
G1/8 code	FMUG2EBPG02L

## Pressure Drop Curves

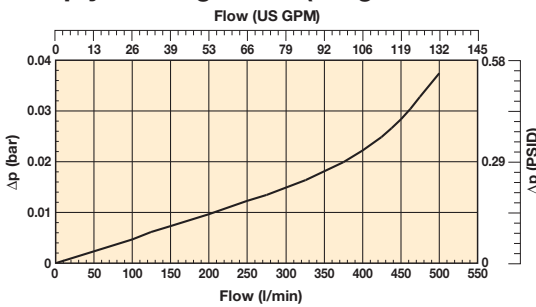
The recommended level of the initial pressure drop for low pressure filters is max 0.5 bar.

If the medium used has a viscosity different from 32cSt, pressure drop over the filter can be estimated as follows:

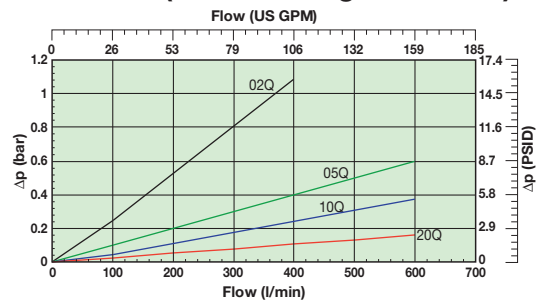
$$\Delta p = (\Delta p_{32} \times \text{viscosity of medium used}) / 32\text{cSt}$$

Filter housing and element pressure drop based on 32cSt fluid viscosity and 0.87 density.

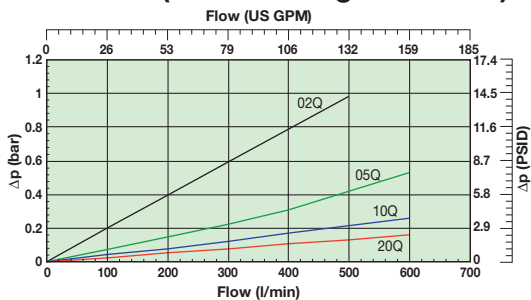
### BGT Empty Housing 2"SAE (Length code 11 and 12)



### BGT390 (Element length code 11)



### BGT500 (Element length code 12)

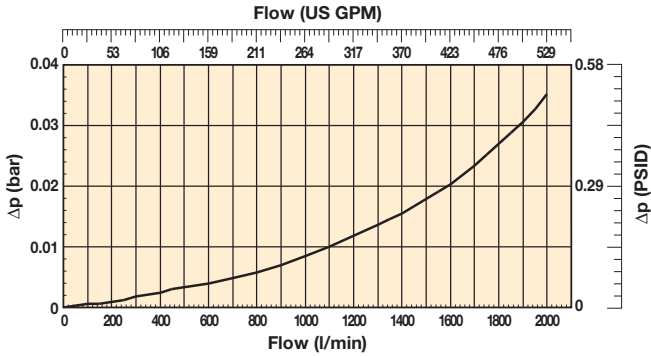


# BGT Series

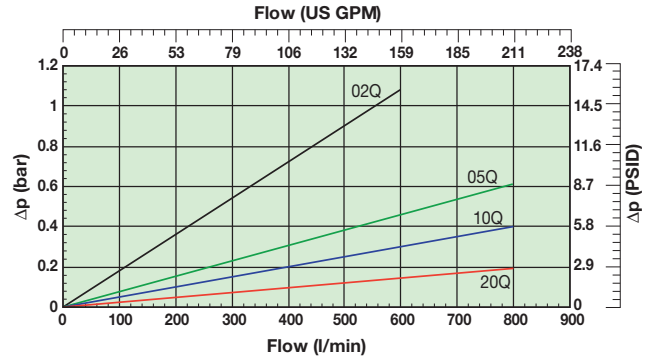
## Tanktop Mounted Return Line Filters

### Pressure Drop Curves (cont.)

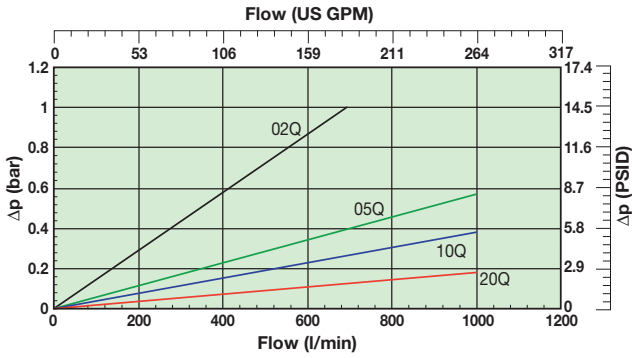
**BGT Empty Housing 3"SAE (Length 13 and larger)**



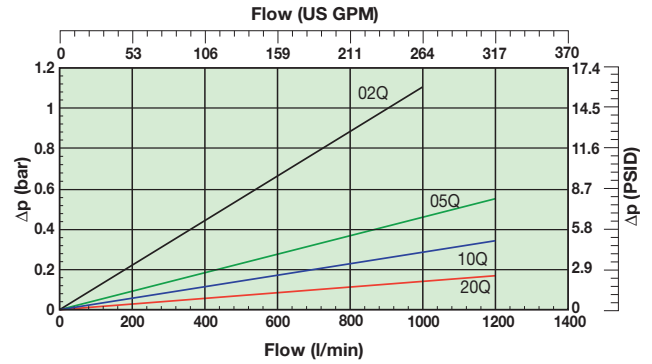
**BGT600 (Element length code 13)**



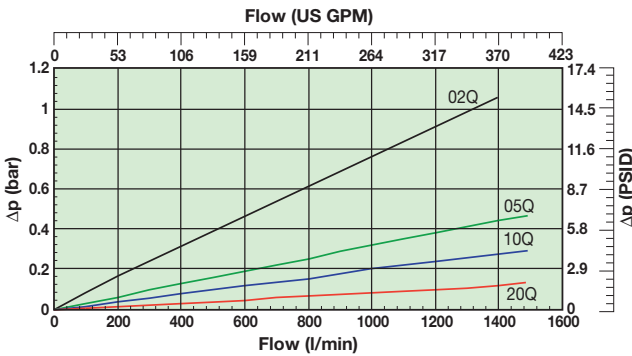
**BGT800 (Element length code 14)**



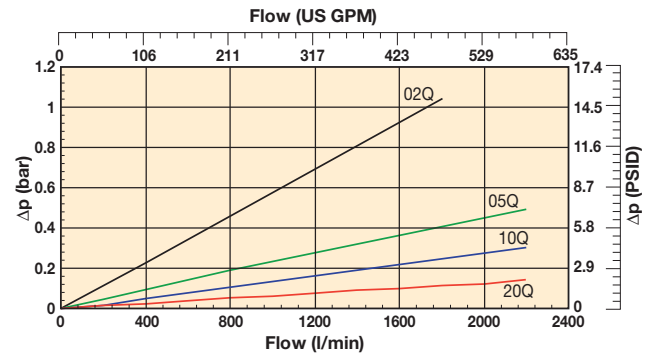
**BGT1000 (Element length code 15)**



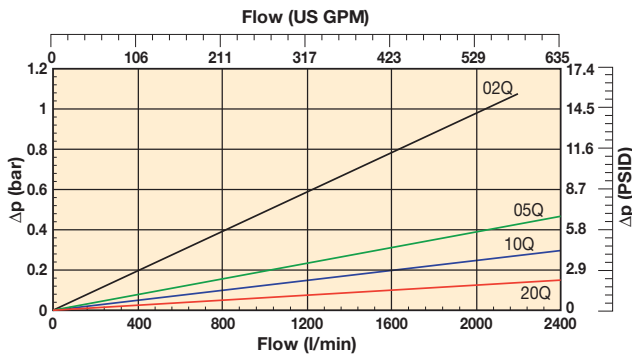
**BGT1500 (Element length code 16)**



**BGT2000 (Element length code 17)**

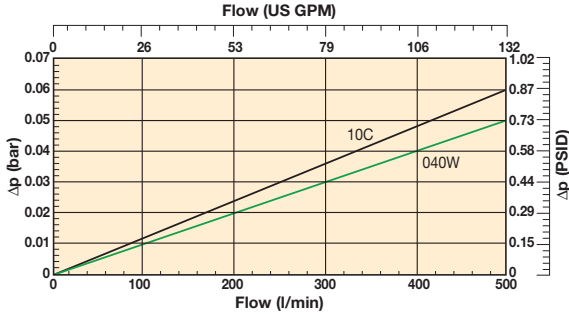


**BGT2400 (Element length code 18)**

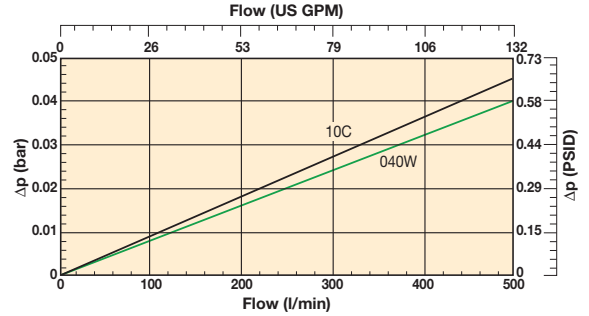


Pressure Drop Curves (cellulose and stainless steel media)

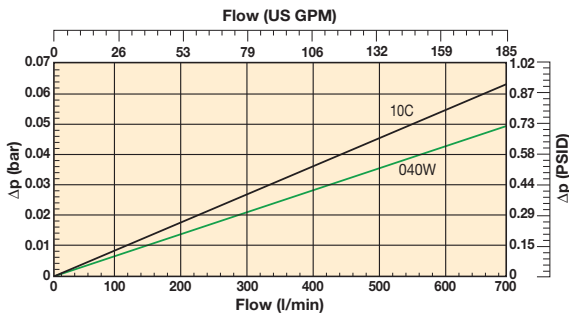
**BGT390 (Element length code 11)**  
Cellulose & Stainless steel media



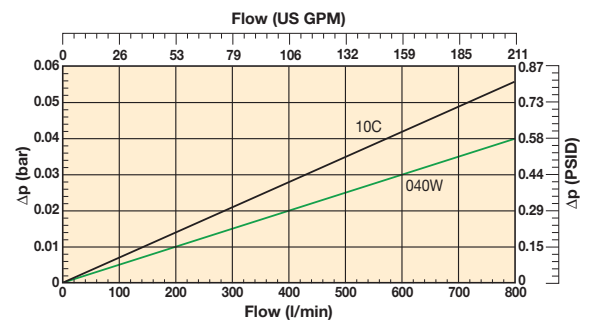
**BGT390 (Element length code 11)**  
Cellulose & Stainless steel media



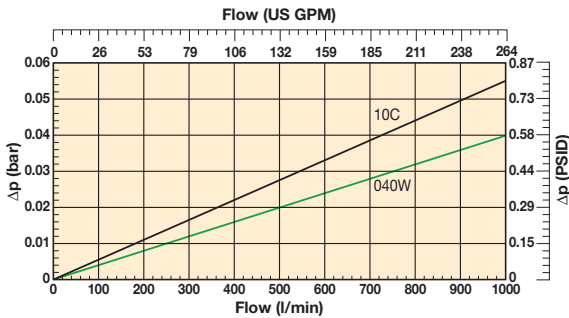
**BGT600 (Element length code 13)**  
Cellulose & Stainless steel media



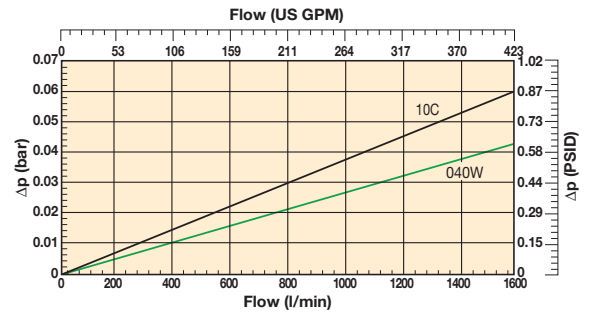
**BGT800 (Element length code 14)**  
Cellulose & Stainless steel media



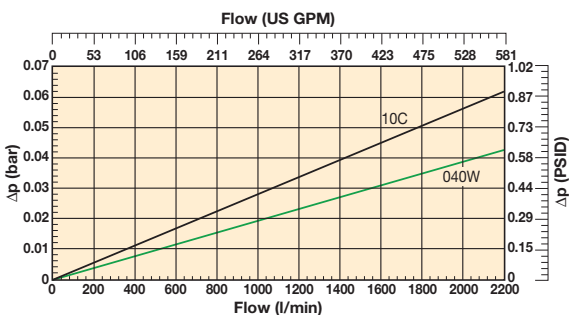
**BGT1000 (Element length code 15)**  
Cellulose & Stainless steel media



**BGT1500 (Element length code 16)**  
Cellulose & Stainless steel media



**BGT2000 (Element length code 17)**  
Cellulose & Stainless steel media



Cellulose and stainless steel media  
Example: BGT2000 Filter Element Length 17 - cellulose and stainless steel media



# BGT Series

## Tanktop Mounted Return Line Filters

### Ordering Information

#### Standard products table

Part number	Supersedes	Flow (l/min)	Model number	Element length	Media rating (µ)	Seals	Indicator	Bypass settings	Ports	Included options	Replacement elements	Supersedes
<b>BGT1210QLBPER323</b>	BGTS500-S2 TXWL8C-10 T B15 M	500	BGT500	Length 12	10	Nitrile	Plugged	1.5 Bar (22 Psi)	2"SAE-3000 PSI	Diffuser type T	<b>937859Q</b>	TXWL8L-10
<b>BGT1220QLBPER323</b>	BGTS500-S2 TXWL8C-20 T B15 M	500	BGT500	Length 12	20	Nitrile	Plugged	1.5 Bar (22 Psi)	2"SAE-3000 PSI	Diffuser type T	<b>937868Q</b>	TXWL8L-20
<b>BGT1510QLBPER483</b>	BGTS1000-S3 TXWL12-10 T B15 M	1000	BGT1000	Length 15	10	Nitrile	Plugged	1.5 Bar (22 Psi)	3"SAE-3000 PSI	Diffuser type T	<b>937862Q</b>	TXWL12-10
<b>BGT1520QLBPER483</b>	BGTS1000-S3 TXWL12-20 T B15 M	1000	BGT1000	Length 15	20	Nitrile	Plugged	1.5 Bar (22 Psi)	3"SAE-3000 PSI	Diffuser type T	<b>937865Q</b>	TXWL12-20
<b>BGT1710QBPER483</b>	BGTS2000-S3 TXW14-10 T B15 M	2000	BGT2000	Length 17	10	Nitrile	Plugged	1.5 Bar (22 Psi)	3"SAE-3000 PSI	Diffuser type T	<b>937772Q</b>	TXW14-10B
<b>BGT1720QBPER483</b>	BGTS2000-S3 TXW14-20 T B15 M	2000	BGT2000	Length 17	20	Nitrile	Plugged	1.5 Bar (22 Psi)	3"SAE-3000 PSI	Diffuser type T	<b>937805Q</b>	TXW14-20B

Note: Filter assemblies ordered from the product configurator below are on extended lead times. Where possible, please make your selection from the table above.

#### Product configurator

##### Configurator examples filter including **LEIF®** element

Box 1	Box 2	Box 3	Box 4	Box 5	Box 6	Box 7	Box 8
<b>BGT</b>	<b>15</b>	<b>05QL</b>	<b>B</b>	<b>S1</b>	<b>E</b>	<b>R48</b>	<b>C</b>

##### Configurator examples filter including conventional element

Box 1	Box 2	Box 3	Box 4	Box 5	Box 6	Box 7	Box 8
<b>BGT</b>	<b>18</b>	<b>02Q</b>	<b>B</b>	<b>S4</b>	<b>E</b>	<b>3R20</b>	<b>4</b>

Code	Filter type	Degree of filtration							
BGT	Housing	Code	Glass fibre			Wire mesh			
BGT390		11	Microglass III (for disposable elements)						
BGT500		<b>12</b>	Cellulose	Ecoglass III (for Leif® elements)					
BGT600		13		Nom. rating			Abs. rating		
BGT800		14	Disposable element	10C	02Q	05Q	<b>10Q</b>	<b>20Q</b>	040W
BGT1000		<b>15</b>	<b>LEIF® element</b>		02QL	<b>05QL</b>	<b>10QL</b>	<b>20QL</b>	
BGT1500		16							
BGT2000		<b>17</b>							
BGT2400		18							

Seal type	Code
Seal material	
Nitrile	<b>B</b>
Fluorelastomer	V
Neoprene	on request

Indicator	Code
Pressure gauge, setting 1.2 bar, M10x1	<b>G1</b>
Pressure gauge, setting 1.2 bar, G $\frac{1}{8}$ for dual port head	G2
Pressure switch 42V, 1.2 bar setting, NO/NC, M10x1	<b>S1</b>
Pressure switch 42V, 1.2 bar setting, NO with G $\frac{1}{8}$ BSP	S2
Pressure switch 42V, 1.2 bar setting, NC with G $\frac{1}{8}$ BSP	S3
Pressure switch 250V, NO/NC with G $\frac{1}{8}$	S4
Pressure switch 220V, NO/NC with M10	S5
No indicator, indicator ports not machined	On request
No indicator, indicator port B plugged	<b>P</b>
Other settings for indicators / gauges on request	on request

Note: For all dual head ports for BGTS apply G $\frac{1}{8}$  connection for indicators

Bypass valve	Code
Bypass valve	
0.8 bar	B
1.5 bar	<b>E</b>
2.0 bar for BGT-3 series (length 11 and 12)	H
Blocked bypass	X
Other bypass settings	on request

Filter connection	Code
Ports	
2" SAE BGT length 11 and 12	<b>R32</b>
3" SAE BGT Length 13 and larger	<b>R48</b>
1x2" SAE Flanged + 2 x 1 $\frac{1}{2}$ " SAE Flanged for BGT Length 11 and 12	R32M
3x1 $\frac{1}{2}$ " SAE Flanges + 1x 1 $\frac{1}{2}$ " SAE for BGT Length 13 and larger	3R20

Options	Code
Options	
No diffuser required	<b>1</b>
Diffuser type T with perforated plate area	<b>3</b>
Diffuser type P without perforated plate area	4
Diffuser with integrated hose connection	on request
No magnets	5
Dipstick	6
Plugged filling port	8
Diffuser type T and no magnets	A
Diffuser type P and no magnets	B
Diffuser type T, no magnets, plugged filling port	C
Diffuser type P, no magnets, plugged filling port	D
Diffuser type T, magnets and filling port	E
Diffuser type P, magnets and filling port	F
Air tight diffuser type T	G
Air tight diffuser type P	H
Other combinations	on request

#### Highlights Key (Denotes part number availability)

<b>123</b>	Item is standard
<b>123</b>	Item is standard green option
<b>123</b>	Item is semi standard
123	Item is non standard

Note: Standard items are in stock, semi standard items are available within four weeks

Note 1: Part numbers featured with bold highlighted codes will ensure a 'standard' product selection.

Note 2: Alternate displayed part number selection will require you to contact Parker Filtration for availability.





## Ordering Information (cont.)

Degree of filtration						Media code
Average filtration beta ratio $\beta$ (ISO 16889) / particle size $\mu\text{m}$ [c]						
$\beta_x(c)=2$	$\beta_x(c)=10$	$\beta_x(c)=75$	$\beta_x(c)=100$	$\beta_x(c)=200$	$\beta_x(c)=1000$	
% efficiency, based on the above beta ratio ( $\beta_x$ )						
50.0%	90.0%	98.7%	99.0%	99.5%	99.9%	4.5
N/A	N/A	N/A	N/A	N/A	N/A	02Q/02QL
N/A	N/A	4.5	5	6	7	05Q/05QL
N/A	6	8.5	9	10	12	10Q/10QL
6	11	17	18	20	22	20Q/20QL

Supersedes spare element table				
BGT390	TXWL8A-2	TXWL8A-5	TXWL8A-10	TXWL8A-20
Part number spare element	937832Q	937843Q	937858Q	937869Q
BGT500	TXWL8C-2	TXWL8C-5	TXWL8C-10	TXWL8C-20
Part number spare element	937833Q	937842Q	937859Q	937868Q
BGT600	TXWL10-2	TXWL10-5	TXWL10-10	TXWL10-20
Part number spare element	937834Q	937841Q	937860Q	937867Q
BGT800	TXWL11-2	TXWL11-5	TXWL11-10	TXWL11-20
Part number spare element	937835Q	937840Q	937861Q	937866Q
BGT1000	TXWL12-2	TXWL12-5	TXWL12-10	TXWL12-20
Part number spare element	937836Q	937839Q	937862Q	937865Q
BGT1500	TXWL13-2	TXWL13-5	TXWL13-10	TXWL13-20
Part number spare element	937837Q	937838Q	937863Q	937864Q

Supersedes spare element table						
BGT390	TXX8A-10-B	TXW8A-2-B	TXW8A-5-B	TXW8A-10-B	TXW8A-20-B	ST8A-40-B
Part number spare element	937728	937742Q	937763Q	937778Q	937799Q	937813
BGT500	TXX8C-10-B	TXW8C-2-B	TXW8C-5-B	TXW8C-10-B	TXW8C-20-B	ST8C-40-B
Part number spare element	937729	937741Q	937764Q	937777Q	937800Q	937812
BGT600	TXX10-10-B	TXW10-2-B	TXW10-5-B	TXW10-10-B	TXW10-20-B	ST10-40-B
Part number spare element	937730	937740Q	937765Q	937776Q	937801Q	937811
BGT800	TXX11-10-B	TXW11-2-B	TXW11-5-B	TXW11-10-B	TXW11-20-B	ST11-40-B
Part number spare element	937731	937739Q	937766Q	937775Q	937802Q	937810
BGT1000	TXX12-10-B	TXW12-2-B	TXW12-5-B	TXW12-10-B	TXW12-20-B	ST12-40-B
Part number spare element	937732	937738Q	937767Q	937774Q	937803Q	937809
BGT1500	TXX13-R-10-B	TXW13-R-2-B	TXW13-R-5-B	TXW13-R-10-B	TXW13-R-20-B	ST13-40-B
Part number spare element	937733	937737Q	937768Q	937773Q	937804Q	937808
BGT2000	TXX14-10-B	TXW14-2-B	TXW14-5-B	TXW14-10-B	TXW14-20-B	ST14-40-B
Part number spare element	937734	937736Q	937769Q	937772Q	937805Q	937807
BGT2400	-	TXWH14-2-B	TXWH14-5-B	TXWH14-10-B	TXWH14-20-B	-
Part number spare element	-	937735Q	937770Q	937771Q	937806Q	-

### BGT Series Seal Kits

BGT Filter connection	Nitrile Seal kit
<b>Port(s) Filter head</b>	<b>Part Number</b>
2" SAE BGT length 11 and 12	2049010017
3" SAE BGT Length 13 and larger	2049010023
1x2" SAE Flanged + 2 x 1 1/4" SAE Flanged for BGT Length 11 and 12	918045048
3x1 1/4" SAE Flanges + 1x 1/2" SAE for BGT Length 13 and larger	2049010020

# Clearing the way for a greener future



Image courtesy of  
Johnston Sweepers



## ENVIRONMENTALLY-FRIENDLY FILTRATION SOLUTIONS

Trust Parker to provide you with a range of 'green' filter products that impact positively on the environment. With the new E-series your customers benefit from a solution that's smarter, safer and more responsible when it comes to filtration.

By significantly reducing waste levels, the E-Series is designed to increase the lifespan of hydraulic machinery. The Suction Return filter series features *LEIF*<sup>®</sup> elements that can be crushed and incinerated. By reducing bulk for disposal and recycling the material, this cost-effective solution contributes to a safer, cleaner environment.

Through Parker's advanced Laser CM technology, all vehicle operators can monitor fluid contamination on-site through a simple two minute test. This accurate monitoring method helps prevent catastrophic failure in critical systems instantly.

When it comes to filtration solutions you can rely on - the future is Parker.

Enjoy the benefits of 'green' filtration, email [filtrationinfo@parker.com](mailto:filtrationinfo@parker.com)

# IN-AGB Series

In-Tank Mounted Return Line Filters

Max. 2400 l/min



## Flow from inside to out

### Designed for in-built filtration

The IN-AGB Series features a quick response bypass construction with low hysteresis, magnetic pre-filtration and a high dirt-holding capacity. Flow rates from 30 l/min to 2400 l/min. LEIF® elements available up to 1500 l/min. A low cost, high performance filter.

AN INNOVATIVE GREEN  
FILTER FEATURING  
**LEIF®**



## Contact Information:

Parker Hannifin  
**Hydraulic Filter Division Europe**

**European Product  
Information Centre**  
Freephone: 00800 27 27 5374  
(from AT, BE, CH, CZ, DE, EE, ES,  
FI, FR, IE, IT, PT, SE, SK, UK)  
filtrationinfo@parker.com

www.parkerhfde.com

## Product Features:

- IN-AGB features a bypass construction with low hysteresis.
- Magnetic pre-filtration and a high dirt-holding capacity.
- Wide range of diffusers including airtight options.
- Flow from inside to out.
- Flow rates from 30 l/min to 2400 l/min.
- Patented LEIF® elements safeguard filtration quality.

# IN-AGB Series

## In-Tank Mounted Return Line Filters

### Features & Benefits

Features	Advantages	Benefits
Filter integrated in tank	Compact low cost solution Filter protected by reservoir	Suitable for extreme heavy duty applications or hazardous environments No tank top parts contributes to improved esthetical design
LEIF® elements	Patented element safeguards the use of genuine parts	Guaranteed quality of filtration Contributes to ISO 14001 certification
Magnetic pre-filtration	Removes ferrous particles, even during bypass conditions	Improved fluid cleanliness levels Extended element life time
In-to-Out filtration	All captured contamination retains inside the element	No recontamination of system during change of elements
High level of customisation	Dedicated system-matched solutions can be easily made available	Improved integration of filter in system combined with lower initial system costs
Quick response bypass with low hysteresis	Reduction of bypass period due to low hysteresis Only a small part of the total flow is bypassing the element	Improved protection of system
Standard or customised funnel	Ensures that oil enters the tank under the oil level	Significant reduction of oil foaming

### Typical Applications

- Agricultural machines
- Articulated dump trucks
- Forestry equipment
- Wheeled loaders
- Lubrication systems
- Excavators

### The Parker Filtration IN-AGB In-Tank Mounted Return Line Filters.

The low-cost, high-performance return line IN-AGB filter features Q3 filter media, a bypass construction with low hysteresis, magnetic pre-filtration and a high dirt-holding capacity. The range is capable of handling flow rates from 30 l/min up to 2400 l/min. LEIF® elements are available for flow rates up to 1500 l/min, meeting the most stringent demands for environmentally-friendly filtration and offering protection against poor quality pirate elements.



## Specification

### Assembly:

Inside tank.

### Seal material:

Nitrile, fluoroelastomer, neoprene.

### Operating temperature range:

Seal material Nitrile: -40° to +100°C.

Seal material Fluoroelastomer: -20° to +100°C.

### Bypass setting:

0.8/1.5 and 2.0 bar.

Other settings on request.

### Degree of filtration:

Determined by multipass test according to ISO 16889.

### Flow fatigue characteristics:

Filter media is supported so that the optimal fatigue life is achieved.

### Filtration media:

Microglass III, Ecoglass III for *LEIF*<sup>®</sup> elements

Also available 10µm Cellulose and 40µm stainless steel mesh.

### Element collapse rating:

10 bar (ISO 2941).

### Options:

Diffuser type P (straight pipe, no perforated plate area)

Diffuser type T (with closed diffuser end cap and with perforated plate area, recommended when oil entry in reservoir is close to the reservoir bottom or to ensure oil entry under the reservoir oil level)

### Magnetic pack:

Standard.

**Note:** IN-AGB 2-400 and 2-500 are standard supplied without magnets.

### Filter element:

*LEIF*<sup>®</sup> element with reusable metal element sleeve.

Optional conventional style element with steel end caps.

The *LEIF*<sup>®</sup> element is patented and safeguards the use of genuine parts.

**Note:** *LEIF*<sup>®</sup> element can be used with mineral and HEES type oils.

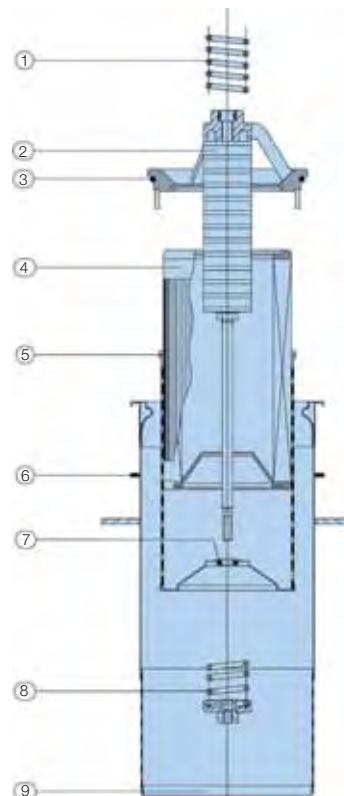
For other fluids consult Parker Filtration.

*LEIF*<sup>®</sup> contributes to ISO 14001 quality standards.

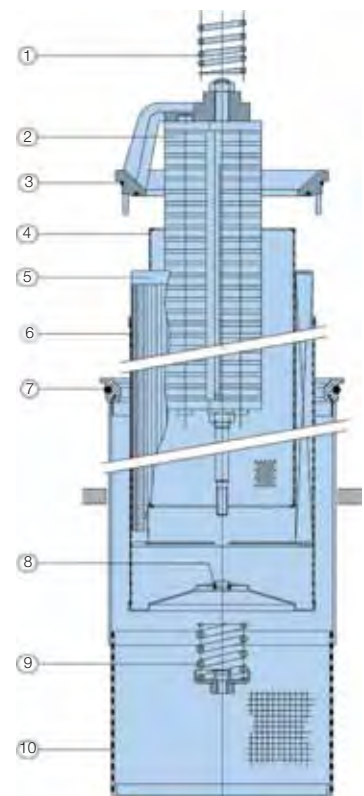
Insert-AGB <i>LEIF</i> <sup>®</sup> 3 series		
Ref.	No.	Description
1	1	Top-spring
2	1	Insert
3	1	Insert-seal
4	1	<i>LEIF</i> <sup>®</sup> Element
5	1	Sleeve
6	1	Gasket
7	1	O-ring
8	1	Bypass set
9	1	Diffuser

Insert-AGB <i>LEIF</i> <sup>®</sup> 4 series		
Ref.	No.	Description
1	1	Top-spring
2	1	Insert
3	1	Insert-seal
4	1	Inner sleeve
5	1	<i>LEIF</i> <sup>®</sup> -element
6	1	Outer sleeve
7	1	O-ring
8	1	O-ring
9	1	Bypass set
10	1	Diffuser

### 1-3 Series



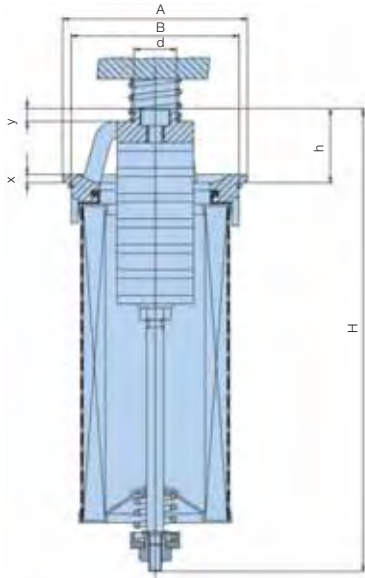
### 4 Series



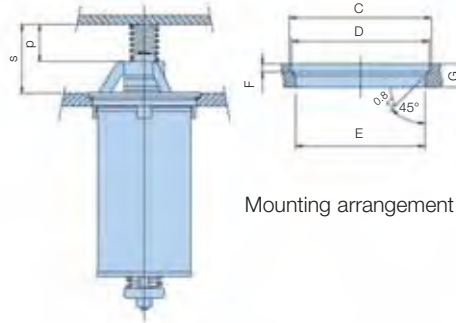
# IN-AGB Series

## In-Tank Mounted Return Line Filters

### Specification (cont.)



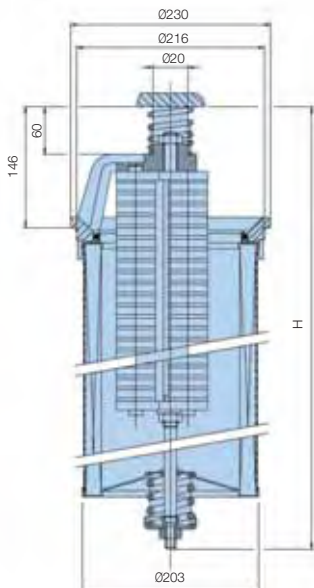
without diffuser



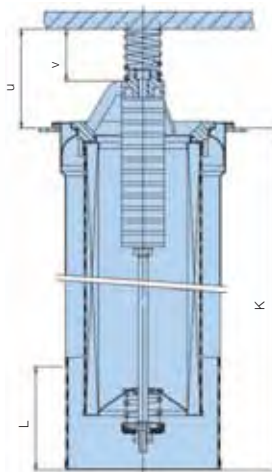
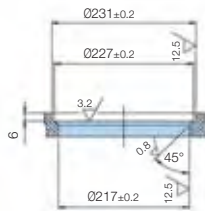
Mounting arrangement

	INAGB Length	Type	A	B	H	h	d	x	y	s	p	C	D	E	F	G
1 Series	0	IN30	87	79	122	35	20	4	6	45	20	88	85	80	4	12
	2	IN60	87	79	173	35	20	4	6	45	20	88	85	80	4	12
	3	IN90	87	79	217	35	20	4	6	45	20	88	85	80	4	12
	4	IN120	87	79	267	35	20	4	6	45	20	88	85	80	4	12
2 Series	5	IN125	87	79	381	35	20	4	6	45	20	88	85	80	4	12
	6	IN170	125	116	284	48	25	5	8	77	42	126	122	117	5	15
	7	IN230	125	116	360	48	25	5	8	77	42	126	122	117	5	15
	8	IN300	125	116	559	48	25	5	8	77	42	126	122	117	5	15
3 Series	9	IN400	125	116	579	48	25	5	8	77	42	126	122	117	5	15
	10	IN500	125	116	599	48	25	5	8	77	42	126	122	117	5	15
	11A	IN270	150	138	325	62	30	7	12	100	55	151	149	139	5	18
	11	IN390	150	138	407	62	30	7	12	100	55	151	149	139	5	18
	12	IN500	150	138	599	62	30	7	12	100	55	151	149	139	5	18

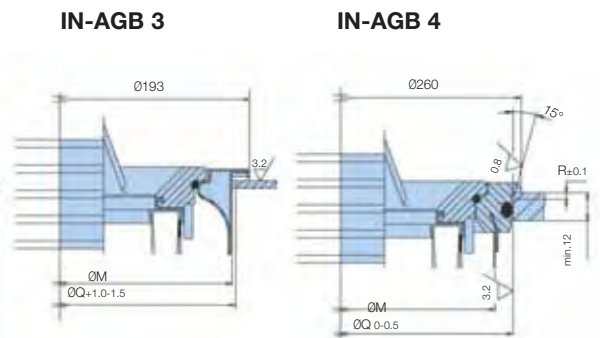
Dimensions in mm



without diffuser



with diffuser



	INAGB Length	Type	K	L	M	U	V	Q	R
3 Series	11A	IN270	324	110	175	106	55	178	
	11	IN390	364	110	175	106	55	178	
	12	IN500(3)	554	125	175	106	55	178	
4 Series	13	IN600	445	183	239	145	60	250.5	2.5
	14	IN800	555	183	239	145	60	250.5	2.5
	15	IN1000	660	183	239	145	60	250.5	2.5
	16	IN1500	940	183	239	145	60	250.5	2.5
	17	IN2000	1220	183	239	145	60	250.5	2.5
	18	IN2400	1220	183	239	145	60	250.5	2.5

Dimensions in mm

INAGB Length	Type	H
13	IN600	543
14	IN800	653
15	IN1000	758
16	IN1500	1038
17	IN2000	1303
18	IN2400	1303

Dimensions in mm



## Pressure Drop Curves

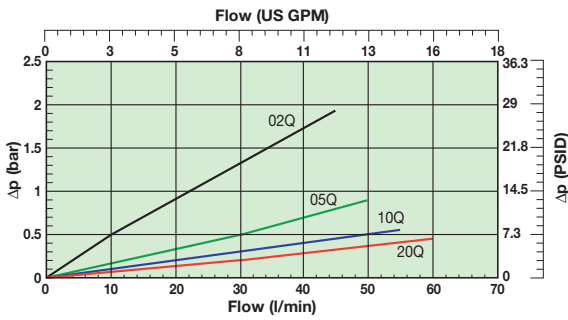
The recommended level of the initial pressure drop for low pressure filters is max 0.5 bar.

If the medium used has a viscosity different from 32cSt, pressure drop over the filter can be estimated as follows:

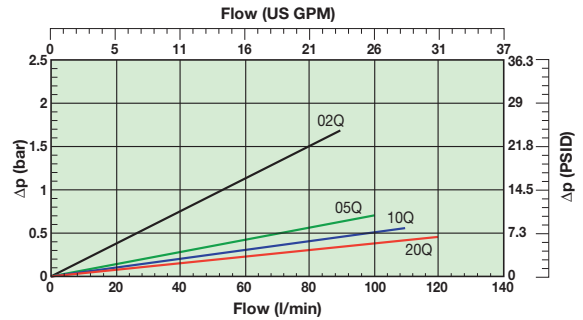
$$\Delta p = (\Delta p_{32} \times \text{viscosity of medium used}) / 32\text{cSt}$$

Filter housing and element pressure drop based on 32cSt fluid viscosity and 0.87 density.

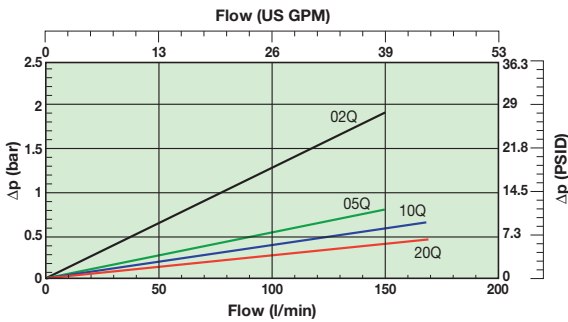
**IN30 (Element length code 0)**



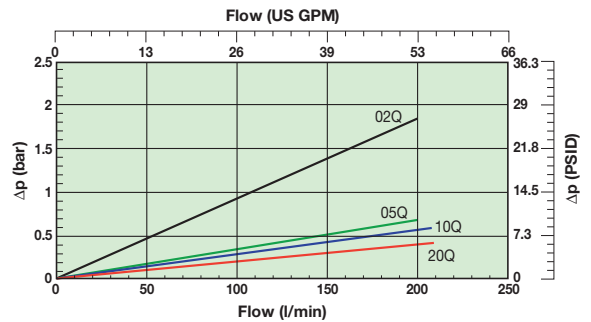
**IN60 (Element length code 2)**



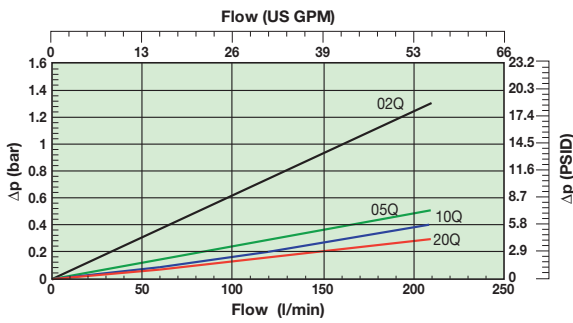
**IN90 (Element length code 3)**



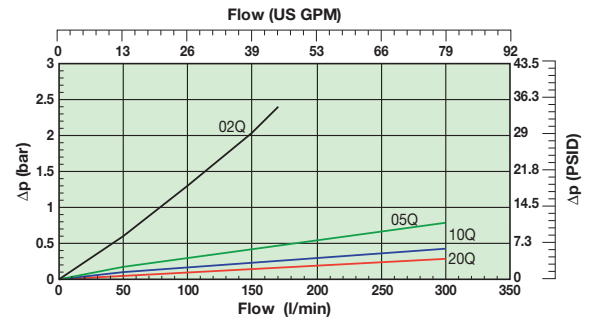
**IN120 (Element length code 4)**



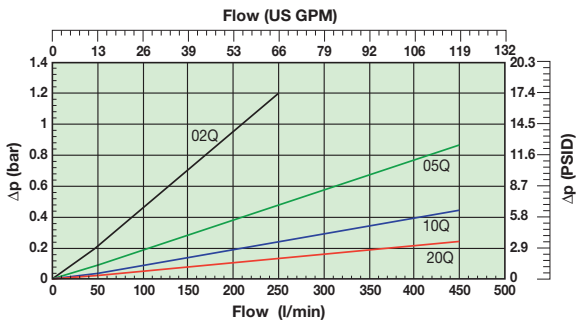
**IN125 (Element length code 5)**



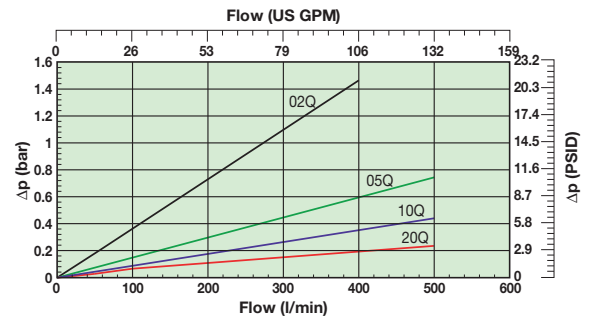
**IN170 (Element length code 6)**



**IN230 (Element length code 7)**



**IN300 (Element length code 8)**

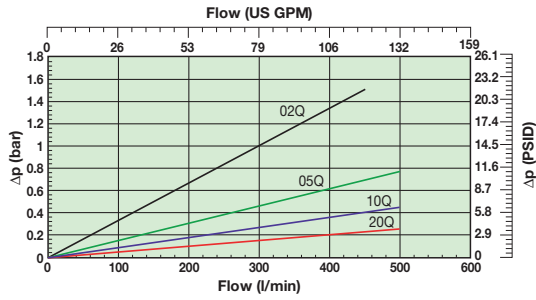


# IN-AGB Series

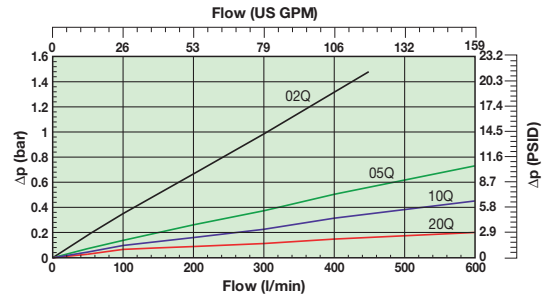
## In-Tank Mounted Return Line Filters

### Pressure Drop Curves (cont.)

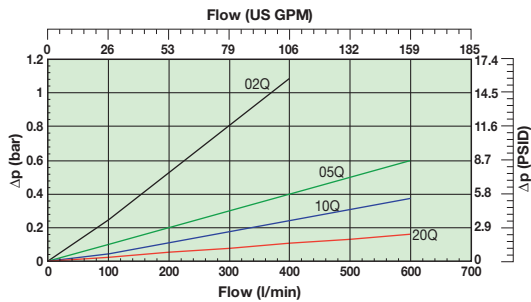
**IN400 (Element length code 9)**



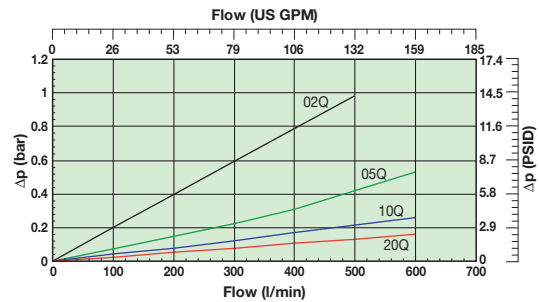
**IN500 (Element length code 10)**



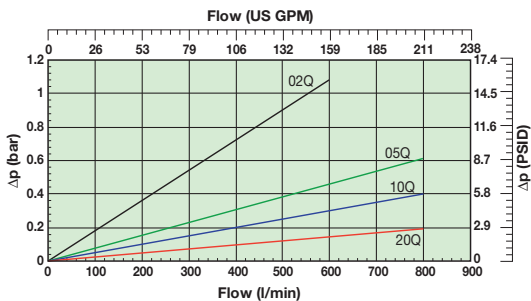
**IN390 (3)(Element length code 11)**



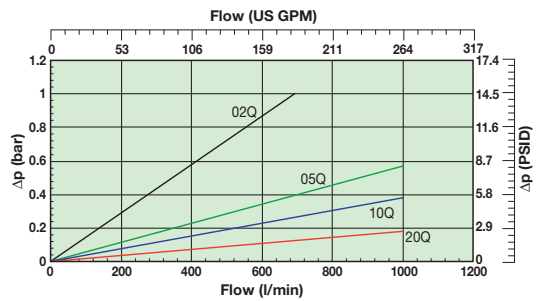
**IN500 (3) (Element length code 12)**



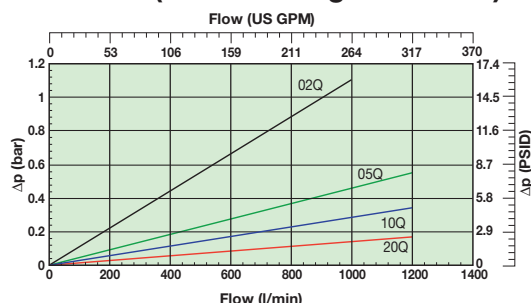
**IN600 (Element length code 13)**



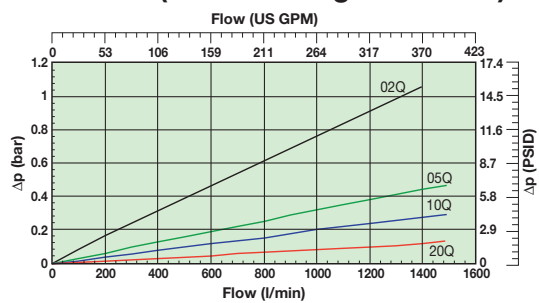
**IN800 (Element length code 14)**



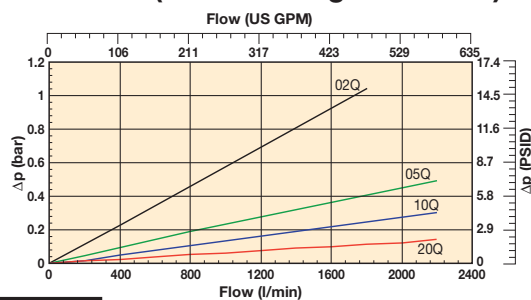
**IN1000 (Element length code 15)**



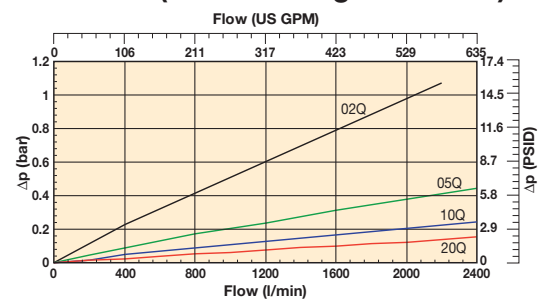
**IN1500 (Element length code 16)**



**IN2000 (Element length code 17)**



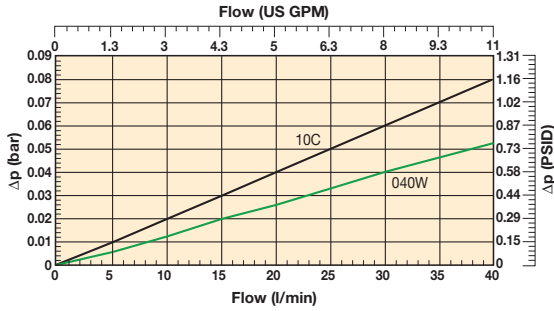
**IN2400 (Element length code 18)**



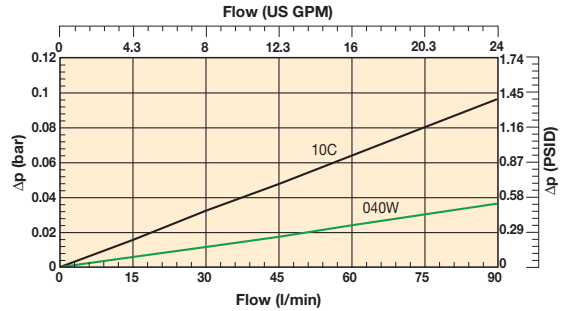


Pressure Drop Curves (cellulose and stainless steel media)

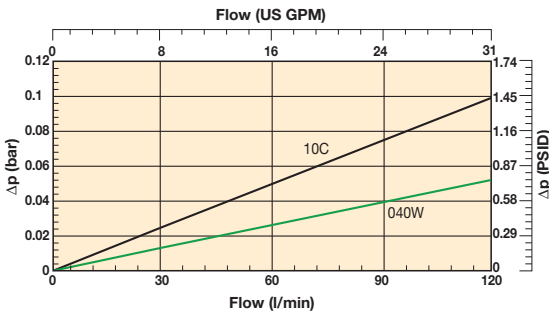
**IN30 (Element length code 0)**  
Cellulose & Stainless steel media



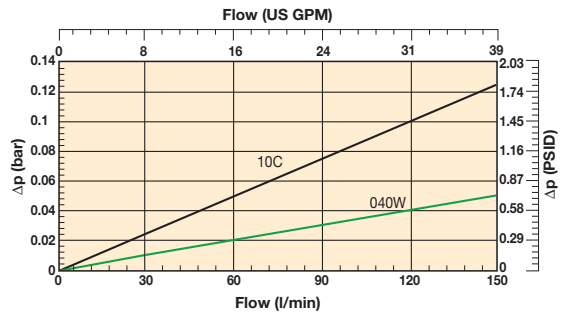
**IN60 (Element length code 2)**  
Cellulose & Stainless steel media



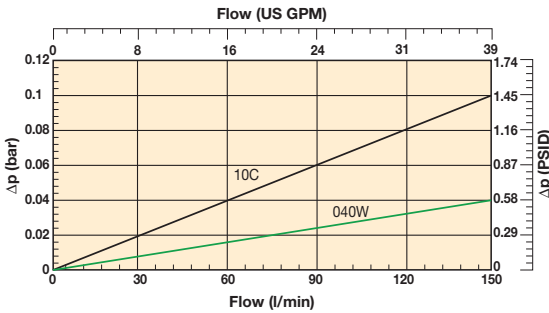
**IN90 (Element length code 3)**  
Cellulose & Stainless steel media



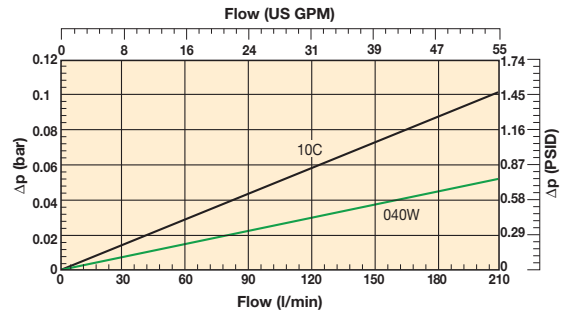
**IN120 (Element length code 4)**  
Cellulose & Stainless steel media



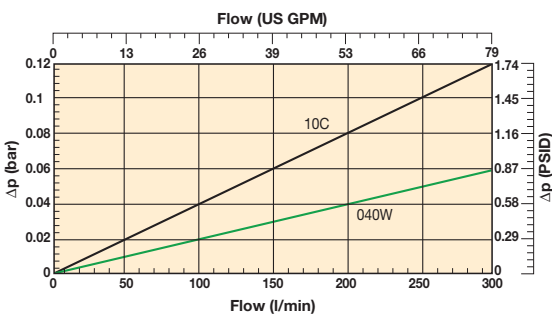
**IN150 (Element length code 5)**  
Cellulose & Stainless steel media



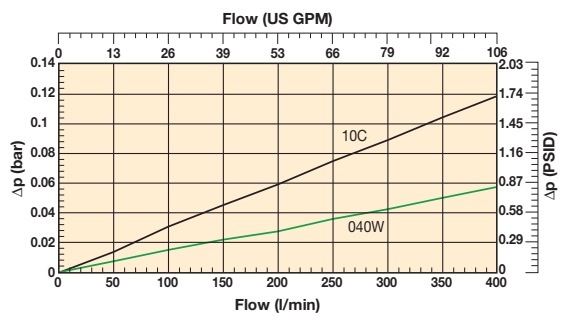
**IN170 (Element length code 6)**  
Cellulose & Stainless steel media



**IN230 (Element length code 7)**  
Cellulose & Stainless steel media



**IN300 (Element length code 8)**  
Cellulose & Stainless steel media



Cellulose and stainless steel media  
Example: IN300 Filter Element Length 8 - Cellulose and stainless steel media

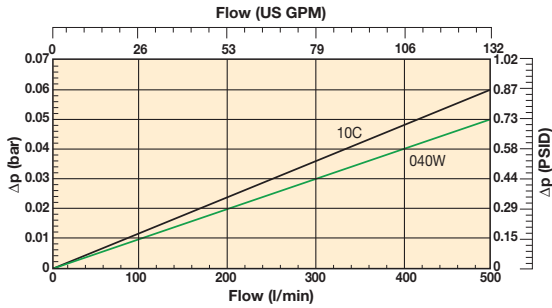


# IN-AGB Series

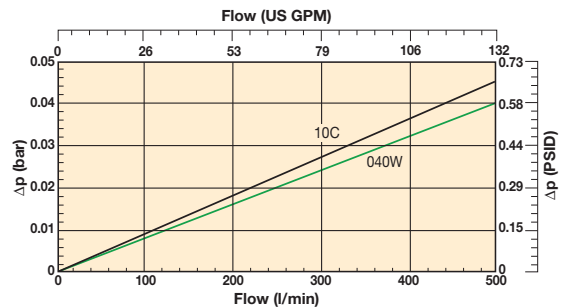
## In-Tank Mounted Return Line Filters

Pressure Drop Curves (cellulose and stainless steel media)

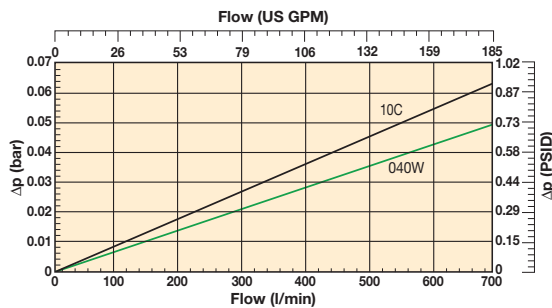
**IN390 (Element length code 11)**  
Cellulose & Stainless steel media



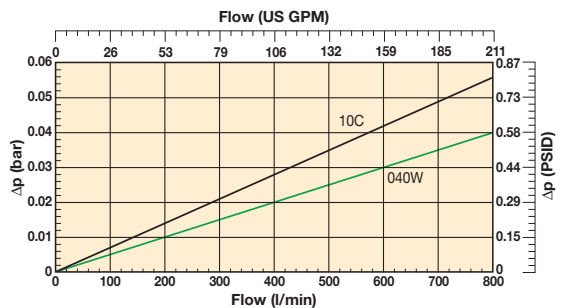
**IN500 (Element length code 12)**  
Cellulose & Stainless steel media



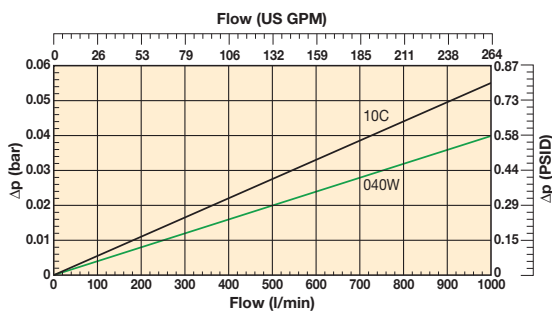
**IN600 (Element length code 13)**  
Cellulose & Stainless steel media



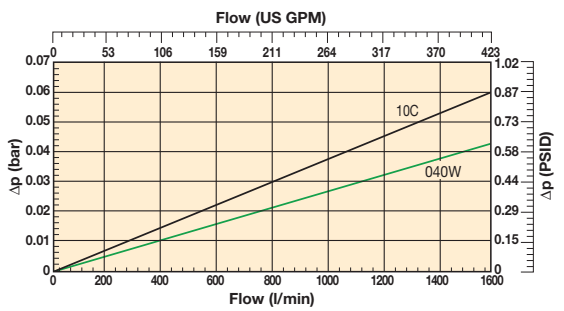
**IN800 (Element length code 14)**  
Cellulose & Stainless steel media



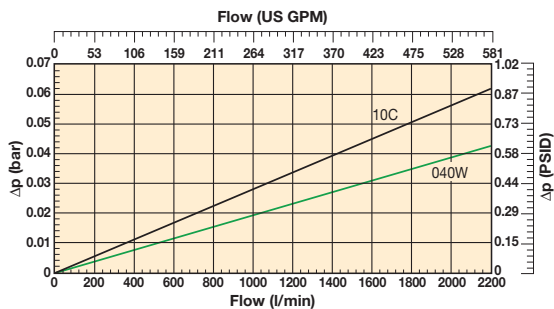
**IN1000 (Element length code 15)**  
Cellulose & Stainless steel media



**IN1500 (Element length code 16)**  
Cellulose & Stainless steel media



**IN2000 (Element length code 17)**  
Cellulose & Stainless steel media



Cellulose and stainless steel media  
Example: IN300 Filter Element Length 8 - Cellulose and stainless steel media



# Ordering Information

## Standard products table

Part number	Supersedes	Flow (l/min)	Model number	Element length	Media rating (µ)	Seals	Indicator	Bypass settings	Ports	Included options	Replacement elements	Supersedes
IN310QLBNEXX1	IN90-TXWL3-10B15	90	IN90	Length 3	10	Nitrile	NA	1.5 Bar (22 Psi)	NA	None	937878Q	TXWL3-10
IN320QLBNEXX1	IN90-TXWL3-20 B15	90	IN90	Length 3	20	Nitrile	NA	1.5 Bar (22 Psi)	NA	None	937877Q	TXWL3-20
IN510QLBNEXX1	IN125-TXWL3E-10 B15	125	IN125	Length 5	10	Nitrile	NA	1.5 Bar (22 Psi)	NA	None	937852Q	TXWL3E-10
IN520QLBNEXX1	IN125-TXWL3E-20 B15	125	IN125	Length 5	20	Nitrile	NA	1.5 Bar (22 Psi)	NA	None	937875Q	TXWL3E-20
IN610QLBNEXX1	IN170-TXWL4-10 B15	170	IN170	Length 6	10	Nitrile	NA	1.5 Bar (22 Psi)	NA	None	937853Q	TXWL4-10
IN620QLBNEXX1	IN170-TXWL4-20 B15	170	IN170	Length 6	20	Nitrile	NA	1.5 Bar (22 Psi)	NA	None	937874Q	TXWL4-20
IN810QLBNEXX1	IN300-TXWL5A-10 B15	300	IN300	Length 8	10	Nitrile	NA	1.5 Bar (22 Psi)	NA	None	937855Q	TXWL5A-10
IN820QLBNEXX1	IN300-TXWL5A-20 B15	300	IN300	Length 8	20	Nitrile	NA	1.5 Bar (22 Psi)	NA	None	937872Q	TXWL5A-20
IN1210QLBNEXX3	IN500-TXWL8C-10 T B15	500	IN500	Length 12	10	Nitrile	NA	1.5 Bar (22 Psi)	NA	Diffuser type T	937859Q	TXWL8C-10
IN1220QLBNEXX3	IN500-TXWL8C-20 T B15	500	IN500	Length 12	20	Nitrile	NA	1.5 Bar (22 Psi)	NA	Diffuser type T	937868Q	TXWL8C-20
IN1510QLBNEXX3	IN1000-TXWL12-10 T B15	1000	IN1000	Length 15	10	Nitrile	NA	1.5 Bar (22 Psi)	NA	Diffuser type T	937862Q	TXWL12-10
IN1520QLBNEXX3	IN1000-TXWL12-20 T B15	1000	IN1000	Length 15	20	Nitrile	NA	1.5 Bar (22 Psi)	NA	Diffuser type T	937865Q	TXWL12-20
IN1710QBNEXX3	IN2000-TXW14-10-B T B15	2000	IN2000	Length 17	10	Nitrile	NA	1.5 Bar (22 Psi)	NA	Diffuser type T	937772Q	TXW14-10B
IN1720QBNEXX3	IN2000-TXW14-20-B T B15	2000	IN2000	Length 17	20	Nitrile	NA	1.5 Bar (22 Psi)	NA	Diffuser type T	937805Q	TXW14-20B

Note: Filter assemblies ordered from the product configurator below are on extended lead times. Where possible, please make your selection from the table above.

## Product configurator

### Configurator example filter including LEIF® element

Box 1	Box 2	Box 3	Box 4	Box 5	Box 6	Box 7	Box 8
IN	10	05QL	V	N	H	XXX	1

### Configurator example filter including conventional element

Box 1	Box 2	Box 3	Box 4	Box 5	Box 6	Box 7	Box 8
IN	18	20Q	B	N	H	XXX	3

Box 1

Code	Filter Rating
IN	

Box 2

Insert IN-AGB	Code
IN30	0
IN60	2
IN90	3
IN120	4
IN150	5
IN170	6
IN230	7
IN300	8
IN400	9
IN500	10
IN390(3)	11
IN270(3)	11A
IN500(3)	12
IN600	13
IN800	14
IN1000	15
IN1500	16
IN2000	17
IN2400	18

Box 3

Element media		Degree of filtration				Wire mesh
Cellulose	Microglass III (for disposable elements)					Abs. rating
	Ecoglass III (for Leif® elements)					
Disposable element	Nom. rating	02Q	05Q	10Q	20Q	040W
LEIF® element		02QL	05QL	10QL	20QL	

Box 4

Seal type	
Seal material	Code
Nitrile	B
Fluoroelastomer	V
Neoprene	On request

Box 5

Indicator	
No indicator	Code
	N

Box 7

Filter connection	
Ports	Code
No ports applicable	XXX

Box 8

Options	
Options	Code
No diffuser required	1
Diffuser type T with perforated plate area	3
Diffuser type P without perforated plate area	4
No magnets	5
Diffuser type T and no magnets	A
Diffuser type P and no magnets	B
Air tight diffuser type T and no magnets	G
Air tight diffuser type P and no magnets	H

Box 6

Bypass valve	
Bypass valve	Code
0.8 bar	B
1.5 bar	E
2.0 bar for IN-AGB (up to length 12)	H
Blocked bypass	X
Other bypass settings	on request

Note: IN-AGB size 2-400 and 2-500 are standard supplied without magnets

Note: Option code 3 only available for series 3 and 4 (Length 11 to 18)

Degree of filtration						Media code
Average filtration beta ratio β (ISO 16889) / particle size µm [c]						
βx(c)=2	βx(c)=10	βx(c)=75	βx(c)=100	βx(c)=200	βx(c)=1000	
% efficiency, based on the above beta ratio (βx)						
50.0%	90.0%	98.7%	99.0%	99.5%	99.9%	
N/A	N/A	N/A	N/A	N/A	4.5	02Q/02QL
N/A	N/A	4.5	5	6	7	05Q/05QL
N/A	6	8.5	9	10	12	10Q/10QL
6	11	17	18	20	22	20Q/20QL



# IN-AGB Series

## In-Tank Mounted Return Line Filters

### Ordering Information (cont.)

Supersedes spare element table				
IN30	TXWL-2	TXWL-5	TXWL-10	TXWL-20
Part number spare element	937822Q	937885Q	937884Q	937883Q
IN60	TXWL2-2	TXWL2-5	TXWL2-10	TXWL2-20
Part number spare element	937823Q	937880Q	937881Q	937882Q
IN90	TXWL3-2	TXWL3-5	TXWL3-10	TXWL3-20
Part number spare element	937824Q	937879Q	937878Q	937877Q
IN120	TXWL3D-2	TXWL3D-5	TXWL3D-10	TXWL3D-20
Part number spare element	937825Q	937850Q	937851Q	937876Q
IN125	TXWL3E-2	TXWL3E-5	TXWL3E-10	TXWL3E-20
Part number spare element	937826Q	937849Q	937852Q	937875Q
IN170	TXWL4-2	TXWL4-5	TXWL4-10	TXWL4-20
Part number spare element	937827Q	937848Q	937853Q	937874Q
IN230	TXWL5-2	TXWL5-5	TXWL5-10	TXWL5-20
Part number spare element	937828Q	937847Q	937854Q	937873Q
IN300	TXWL5A-2	TXWL5A-5	TXWL5A-10	TXWL5A-20
Part number spare element	937829Q	937846Q	937855Q	937872Q
IN400	TXWL5B-2	TXWL5B-5	TXWL5B-10	TXWL5B-20
Part number spare element	937830Q	937845Q	937856Q	937871Q
IN500	TXWL5C-2	TXWL5C-5	TXWL5C-10	TXWL5C-20
Part number spare element	937831Q	937844Q	937857Q	937870Q
IN390	TXWL8A-2	TXWL8A-5	TXWL8A-10	TXWL8A-20
Part number spare element	937832Q	937843Q	937858Q	937869Q
IN500	TXWL8C-2	TXWL8C-5	TXWL8C-10	TXWL8C-20
Part number spare element	937833Q	937842Q	937859Q	937868Q
IN600	TXWL10-2	TXWL10-5	TXWL10-10	TXWL10-20
Part number spare element	937834Q	937841Q	937860Q	937867Q
IN800	TXWL11-2	TXWL11-5	TXWL11-10	TXWL11-20
Part number spare element	937835Q	937840Q	937861Q	937866Q
IN1000	TXWL12-2	TXWL12-5	TXWL12-10	TXWL12-20
Part number spare element	937836Q	937839Q	937862Q	937865Q
IN1500	TXWL13-2	TXWL13-5	TXWL13-10	TXWL13-20
Part number spare element	937837Q	937838Q	937863Q	937864Q

IN-AGB Series Seal Kits	
Part Number	Description
2049010003	NITRILE SEAL KIT IN 0 - 5
2049010045	FLUOROELASTOMER SEAL KIT IN 0 - 5
2049010004	NITRILE SEAL KIT IN 6 - 10
2049010028	FLUOROELASTOMER SEAL KIT IN 6 - 10
2049010005	NITRILE SEAL KIT IN 11 and 12
2049010021	NITRILE SEAL KIT (FUNNEL) IN 11 and 12
2049010059	FLUOROELASTOMER SEAL KIT IN 11 and 12
2049010029	FLUOROELASTOMER SEAL (FUNNEL) KIT IN 11 and 12
2049010006	NITRILE SEAL KIT IN 13 - 18
2049010022	NITRILE SEAL KIT (FUNNEL) IN 13 - 18
2049010030	FLUOROELASTOMER SEAL KIT IN 13 - 18

Supersedes spare element table						
IN30	TXX-10-B	TXW-2-B	TXW-5-B	TXW-10-B	TXW-20-B	ST-40-B
Part number spare element	937720	937752Q	937753Q	937788Q	937789Q	937821
IN60	TXX2-10-B	TXW2-2-B	TXW2-5-B	TXW2-10-B	TXW2-20-B	ST2-40-B
Part number spare element	937721	937751Q	937754Q	937787Q	937790Q	937820
IN90	TXX3-10-B	TXW3-2-B	TXW3-5-B	TXW3-10-B	TXW3-20-B	ST3-40-B
Part number spare element	937722	937750Q	937755Q	937786Q	937791Q	937819
IN120	TXX3D-10-B	TXW3D-2-B	TXW3D-5-B	TXW3D-10-B	TXW3D-20-B	ST3D-40-B
Part number spare element	937723	937749Q	937756Q	937785Q	937792Q	937818
IN125	TXX3E-10-B	TXW3E-2-B	TXW3E-5-B	TXW3E-10-B	TXW3E-20-B	ST3E-40-B
Part number spare element	937724	937748Q	937757Q	937784Q	937793Q	937817
IN170	TXX4-10-B	TXW4-2-B	TXW4-5-B	TXW4-10-B	TXW4-20-B	ST4-40-B
Part number spare element	937725	937747Q	937758Q	937783Q	937794Q	937816
IN230	TXX5-10-B	TXW5-2-B	TXW5-5-B	TXW5-10-B	TXW5-20-B	ST5-40-B
Part number spare element	937726	937746Q	937759Q	937782Q	937795Q	937815
IN300	TXX5A-10-B	TXW5A-2-B	TXW5A-5-B	TXW5A-10-B	TXW5A-20-B	ST5A-40-B
Part number spare element	937727	937745Q	937760Q	937781Q	937796Q	937814
IN390	TXX8A-10-B	TXW8A-2-B	TXW8A-5-B	TXW8A-10-B	TXW8A-20-B	ST8A-40-B
Part number spare element	937728	937742Q	937763Q	937778Q	937799Q	937813
IN500 (3 series)	TXX8C-10-B	TXW8C-2-B	TXW8C-5-B	TXW8C-10-B	TXW8C-20-B	ST8C-40-B
Part number spare element	937729	937741Q	937764Q	937777Q	937800Q	937812
IN600	TXX10-10-B	TXW10-2-B	TXW10-5-B	TXW10-10-B	TXW10-20-B	ST10-40-B
Part number spare element	937730	937740Q	937765Q	937776Q	937801Q	937811
IN800	TXX11-10-B	TXW11-2-B	TXW11-5-B	TXW11-10-B	TXW11-20-B	ST11-40-B
Part number spare element	937731	937739Q	937766Q	937775Q	937802Q	937810
IN1000	TXX12-10-B	TXW12-2-B	TXW12-5-B	TXW12-10-B	TXW12-20-B	ST12-40-B
Part number spare element	937732	937738Q	937767Q	937774Q	937803Q	937809
IN1500	TXX13-R-10-B	TXW13-R-2-B	TXW13-R-5-B	TXW13-R-10-B	TXW13-R-20-B	ST13-40-B
Part number spare element	937733	937737Q	937768Q	937773Q	937804Q	937808
IN2000	TXX14-10-B	TXW14-2-B	TXW14-5-B	TXW14-10-B	TXW14-20-B	ST14-20
Part number spare element	937734	937736Q	937769Q	937772Q	937805Q	937807
IN2400	-	TXWH14-2-B	TXWH14-5-B	TXWH14-10-B	TXWH14-20-B	-
Part number spare element	-	937735Q	937770Q	937771Q	937806Q	-



# Tanktopper Series I, II & III

Tanktop Mounted Return Line Filters  
with Integrated Air Breather

Max. 650 l/min - 10 bar



## When an all-in-one solution matters

### Reduction of reservoir accessories

The Tanktopper Series features an integrated, 10 micron Abs. air breather. Maximum pressure 10 bar. Maximum flow 650 l/min. LEIF® elements available. An all-in-one, easy-to-mount filter range for more compact tank design.

AN INNOVATIVE GREEN  
FILTER FEATURING  
**LEIF®**



## Contact Information:

Parker Hannifin  
**Hydraulic Filter Division Europe**

**European Product  
Information Centre**  
Freephone: 00800 27 27 5374  
(from AT, BE, CH, CZ, DE, EE, ES,  
FI, FR, IE, IT, PT, SE, SK, UK)  
filtrationinfo@parker.com

www.parkerhfde.com

## Product Features:

- Tanktopper offers a total filtration solution with integrated air breather.
- In-to-Out filtration plus gauge and switch options.
- Maximum pressure 10 bar. Maximum flow 650 l/min.
- Patented LEIF® elements safeguard filtration quality.

# Tanktopper Series I, II & III

## Tanktop Mounted Return Line Filters with Integrated Air Breather

### Features & Benefits

Features	Advantages	Benefits
Return line filter with integrated airbreather	All in one filter	More compact design, cost reduction due to elimination of loose airbreather
Airbreather equipped with high quality labyrinth	No oil leakage through the airbreather	Improved efficiency of airbreather No oil leakage on the tank / in the environment
Second port and dipstick available	Filler port and level indicator function can be integrated in filter	Significant reduction of reservoir accessories
Airbreather element always supplied with spare return line filter elements	Both filter elements can be replaced during the service event	Improved protection of system due to change of airbreather element
LEIF® elements	Patented element safeguards the use of genuine parts	Guaranteed quality of filtration Contributes to ISO 14001 certification
Magnetic pre-filtration	Removes ferrous particles, even during bypass conditions	Improved fluid cleanliness levels Extended element life time
In-to-Out filtration	All captured contamination retains inside the element	No recontamination of system during change of elements
Full flow bypass with low hysteresis	Reduction of bypass period due to low hysteresis	Improved protection of system
	Only a small part of the total flow is bypassing the element	
Standard or customised funnel	Ensures that oil enters the tank under the oil level	Significant reduction of oil foaming

### Typical Applications

#### TPR I

- Fork lift trucks
- Power packs
- Mini excavator

#### TPR II

- Gully-sucker
- Power packs
- Dredging ships

#### TPR III

- Mobile cranes
- Refuse vehicles



### The Parker Filtration Tanktopper Series I, II & III Tanktop Mounted Return Line Filters.

The TPR Series I, II & III offer a total filtration solution. A 10-micron Abs. air breather that is integrated into the filter housing, a magnet column for pre-filtration, 'In-to-Out' filtration, a full-flow bypass with low hysteresis, and the high performance Q3 filter element materials are all proven success factors in efficient return-line filtration for flow rates up to 650 l/min. Several pressure gauges and switches can be applied, combined or not with a dipstick. The all-in-one, easy-to-mount cost-saving TPR solution allows for a more compact tank design.

## Specification

**Operation pressure:**  
Max. 10 bar.

**Assembly:**  
Tank top mounted.

**Connections:**  
Threaded BSP or SAE ports.  
Second return port available for Tanktopper II and Tanktopper III.

**Filter housing:**  
Aluminium head and co-polymer cover.

**Seal material:**  
Nitrile, Fluoroelastomer.

**Operation temperature range:**  
-40 to +80°C.

**Bypass setting:**  
Opening pressure 0.8, 1.5 or 2.5 bar for Tanktopper I.  
Opening pressure 1.5 bar for Tanktopper II and III.

**Degree of filtration:**  
Determined by multipass test according to ISO 16889.

**Flow fatigue characteristics:**  
Filter media is supported so that the optimum fatigue life is achieved.

**Filtration media:**

Microglass III, Ecoglass III for *LEIF*® element. Air breather 10 micron Abs. Also available 10µm Cellulose and 40µm stainless steel mesh. (TPR1)

**Element collapse rating:**  
10 bar (ISO 2941).

**Pressure indicator options:**  
Setting 0.7 or 1.2 bar.  
Other settings on request.  
Visual pressure gauge.  
Electrical pressure switch.

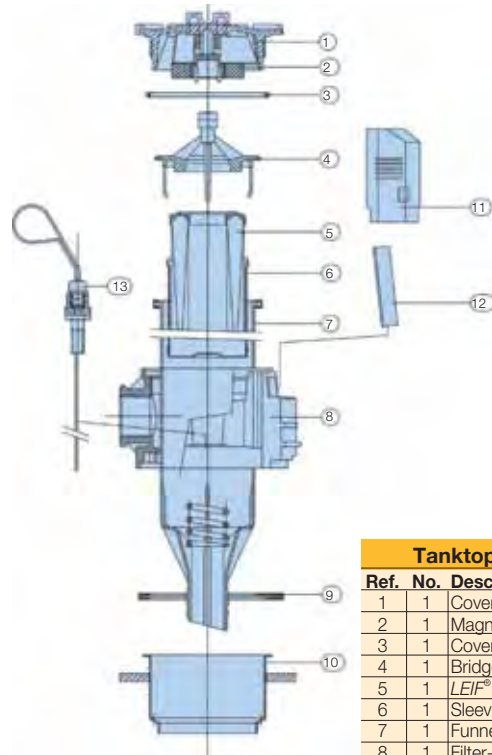
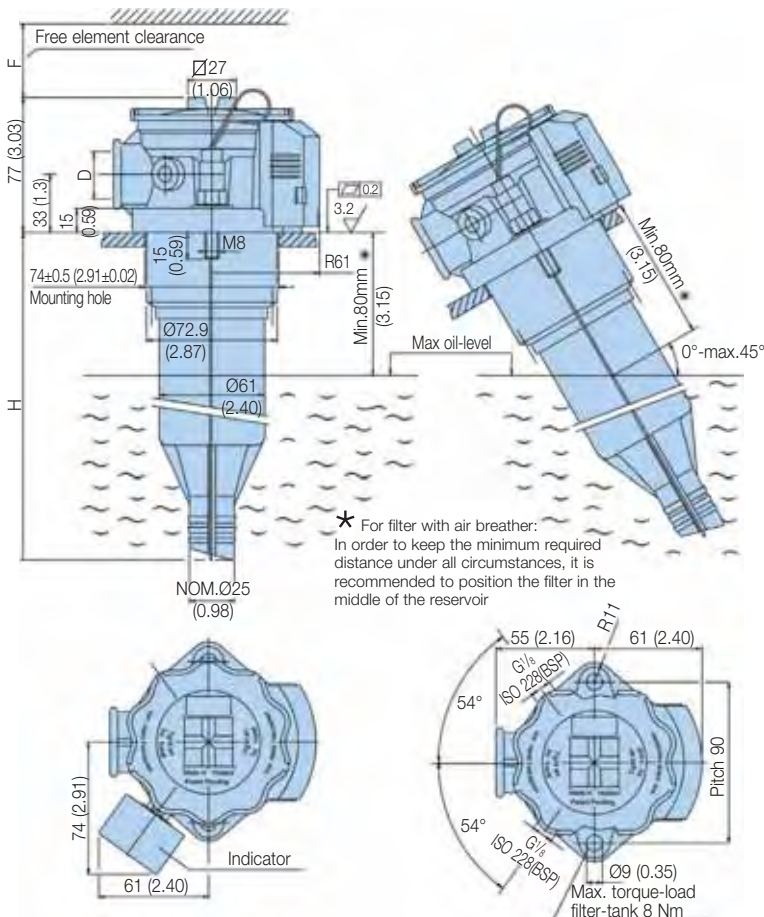
**Options:**  
Dipstick  
Second port (only for TPR II and III)

**Magnetic pack:**  
Optional for Tanktopper I.  
Standard for Tanktopper II and III.

**Filter element:**  
*LEIF*® element with reusable metal element sleeve.  
Conventional style element with steel end caps only optional for Tanktopper I. The *LEIF*® element is patented and safeguards the use of genuine parts.

**Note:** *LEIF*® element can be used with mineral and HEES type oils. For other fluids consult Parker Filtration.  
*LEIF*® contributes to ISO 14001 quality standards

### Tanktopper I (length 1 and 2)



Tanktopper I		
Ref. No.	Description	
1	1	Cover
2	1	Magnet-set
3	1	Cover-seal
4	1	Bridge (blue)
5	1	LEIF® Element
6	1	Sleeve
7	1	Funnel-assembly
8	1	Filter-housing
9	1	Housing-seal
10	1	Airguide
11	1	Cover airbreather
12	1	Breather-element
13	1	Dipstick assembly

Length		H	F	D
1	TPR1-40	169 (6.65)	160 (6.30)	G <sup>3</sup> / <sub>4</sub> (BSP)
2	TPR1-80	269 (10.60)	260 (10.23)	SAE 12

Dimensions in mm

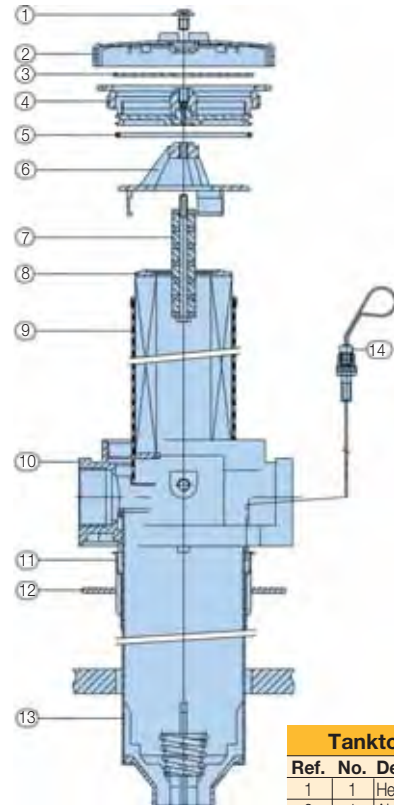
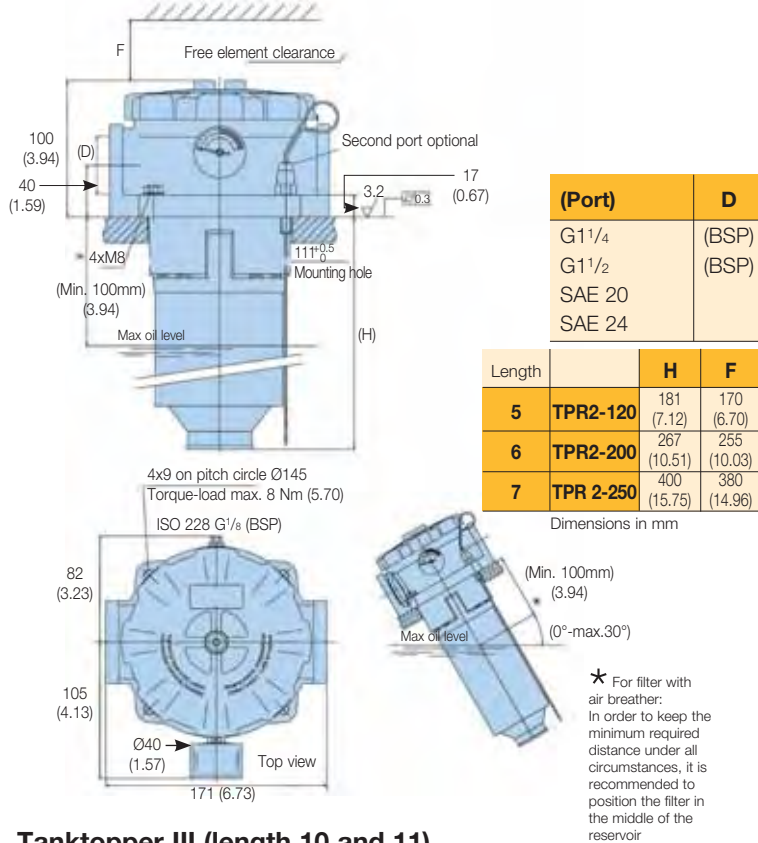


# Tanktopper Series I, II & III

## Tanktop Mounted Return Line Filters with Integrated Air Breather

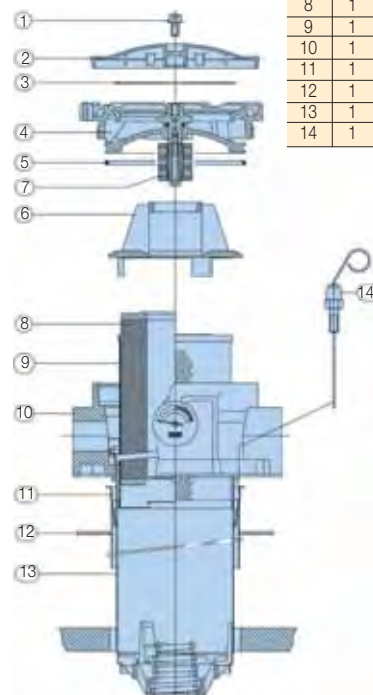
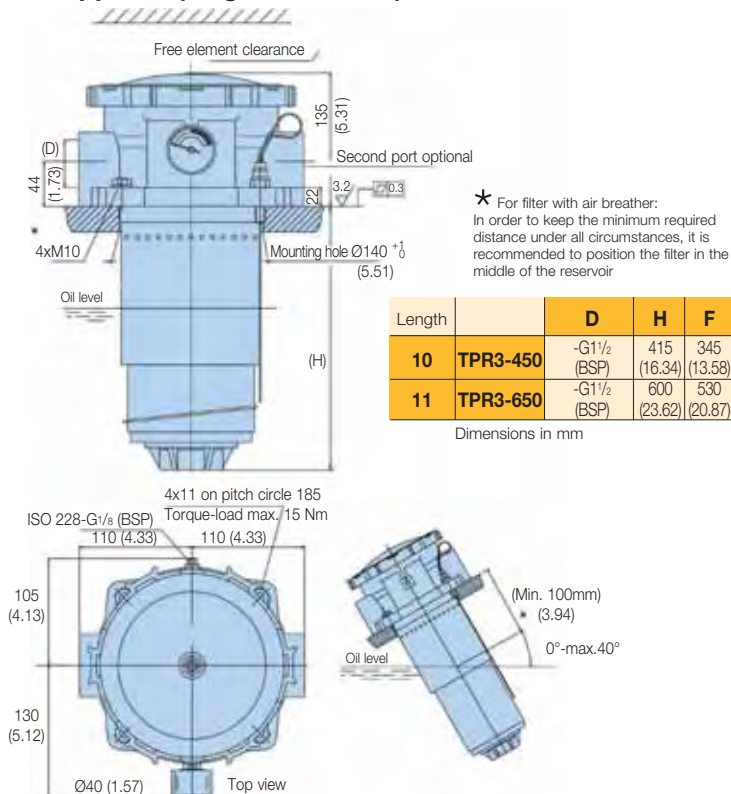
### Specification (cont.)

#### Tanktopper II (length 5, 6 and 7)



Tanktopper II & III	
Ref. No.	Description
1	Hexagon socket bolt M8
2	Air breather cap
3	Air breather filter medium
4	Cover (assembly)
5	Cover seal
6	Bridge
7	Magnet set
8	Element
9	Sleeve
10	Filter house
11	Airguide
12	Tank gasket
13	Funnel
14	Dipstick assembly

#### Tanktopper III (length 10 and 11)





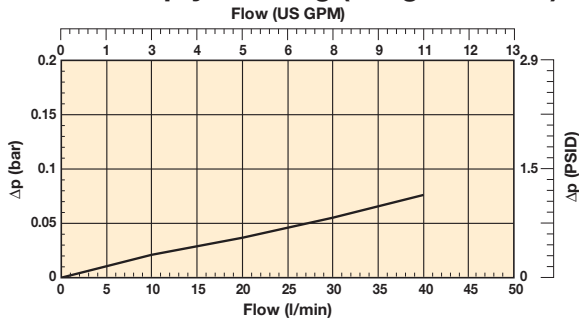
# Tanktopper Series I & II

Tanktop Mounted Return Line Filters with Integrated Air Breather

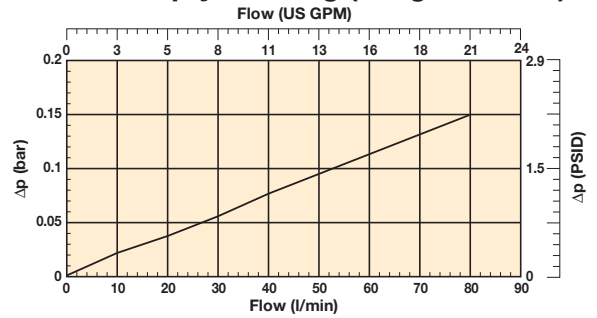
## Pressure Drop Curves - Tanktopper I

Filter housing and element pressure drop based on 32cSt fluid viscosity and 0.87 density.

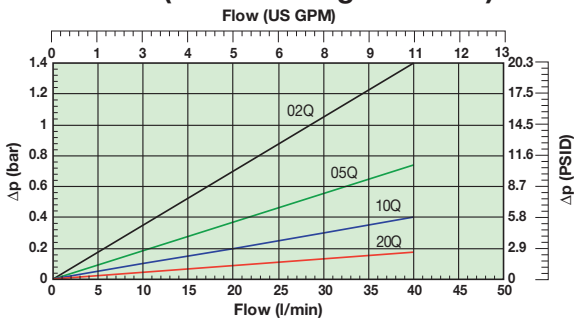
**TPR40 Empty Housing (Length code 1)**



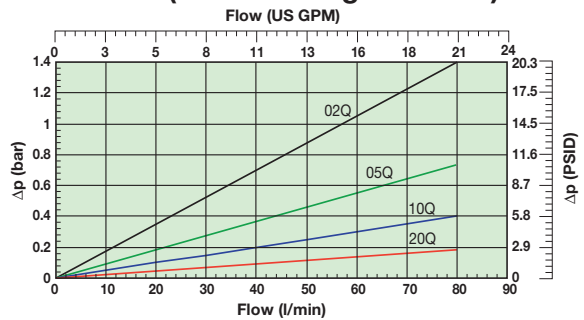
**TPR80 Empty Housing (Length code 2)**



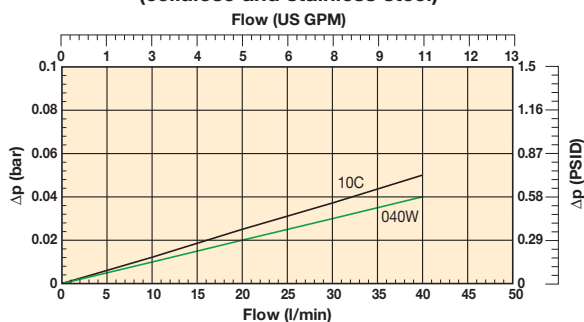
**TPR40 (Element length code 1)**



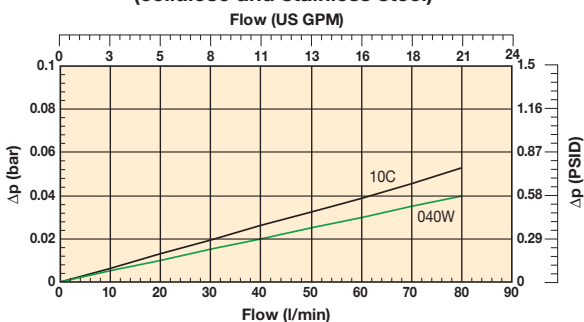
**TPR80 (Element length code 2)**



**TPR40 (Element length code 1)  
(cellulose and stainless steel)**



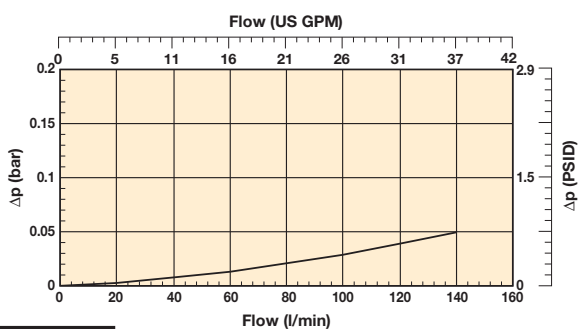
**TPR80 (Element length code 2)  
(cellulose and stainless steel)**



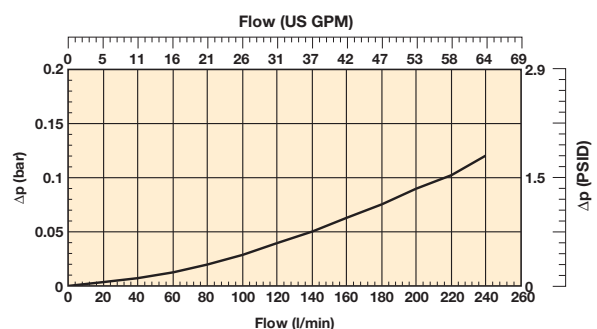
## Pressure Drop Curves - Tanktopper II

Filter housing and element pressure drop based on 32cSt fluid viscosity and 0.87 density.

**TPR II Empty Housing with G1<sup>1</sup>/<sub>4</sub>" ports  
(Length code 5, 6 and 7)**



**TPR II Empty Housing with G1<sup>1</sup>/<sub>2</sub>" ports  
(Length code 5, 6 and 7)**



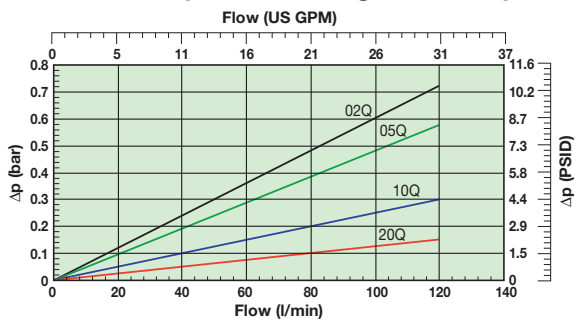
# Tanktopper Series II & III

Tanktop Mounted Return Line Filters with Integrated Air Breather

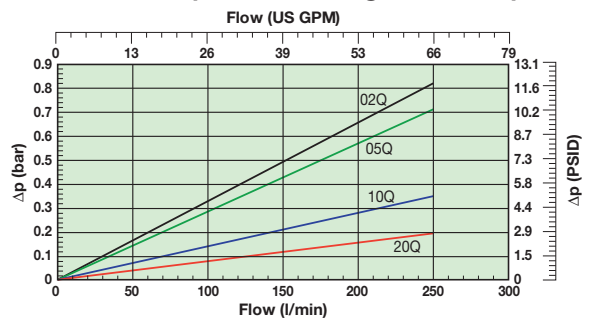
## Pressure Drop Curves - Tanktopper II (cont.)

Filter housing and element pressure drop based on 32cSt fluid viscosity and 0.87 density.

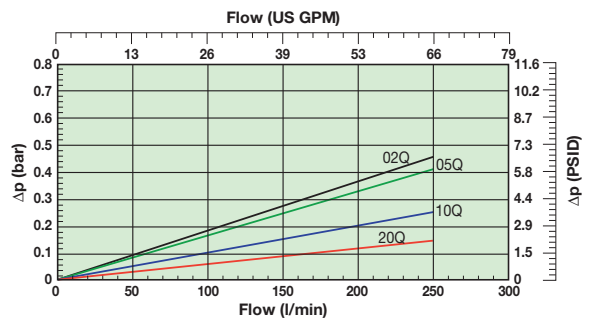
**TPR120 (Element length code 5)**



**TPR200 (Element length code 6)**



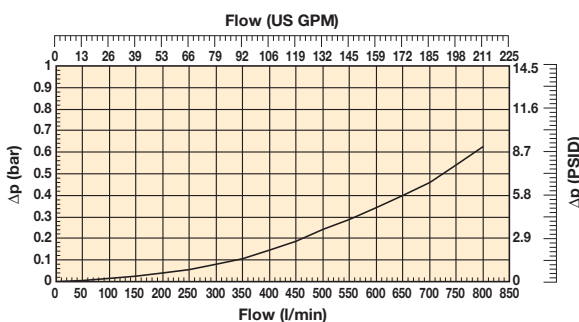
**TPR250 (Element length code 7)**



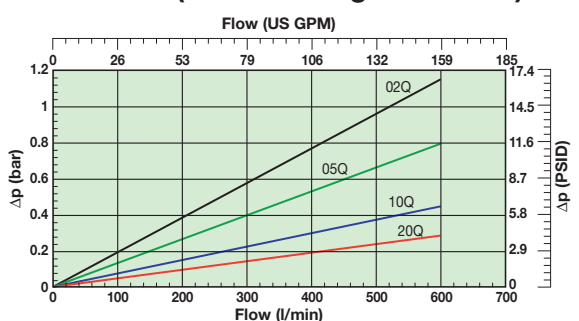
## Pressure Drop Curves - Tanktopper III

Filter housing and element pressure drop based on 32cSt fluid viscosity and 0.87 density.

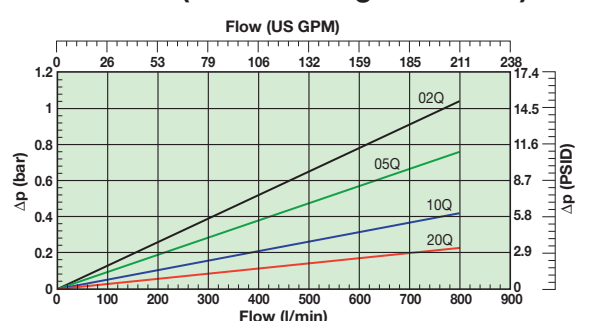
**TPR III Empty Housing with G1 1/2" ports (Length code 10 and 11)**



**TPR450 (Element length code 10)**



**TPR650 (Element length code 11)**



# Tanktopper Series I, II & III

## Tanktop Mounted Return Line Filters with Integrated Air Breather

### Ordering Information

#### Standard products table

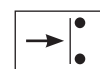
Part number	Supersedes	Flow (l/min)	Model number	Element length	Media rating (µ)	Seals	Indicator	Bypass settings	Ports	Included options	Replacement elements	Supersedes
TPR110QLBP2EG12E	TPR40-G <sup>3</sup> / <sub>4</sub> PXWL1-10 B15 MM MA	40	TPR40	Length 1	10	Nitrile	Plugged	1.5 Bar (22 Psi)	G <sup>3</sup> / <sub>4</sub>	Magnets	<b>937902Q</b>	PXWL1-10
TPR120QLBP2EG12E	TPR40-G <sup>3</sup> / <sub>4</sub> PXWL1-20 B15 MM MA	40	TPR40	Length 1	20	Nitrile	Plugged	1.5 Bar (22 Psi)	G <sup>3</sup> / <sub>4</sub>	Magnets	<b>937904Q</b>	PXWL1-20
TPR210QLBP2EG12L	TPR80-G <sup>3</sup> / <sub>4</sub> PXWL2-10 AB15 MM MA	80	TPR80	Length 2	10	Nitrile	Plugged	1.5 Bar (22 Psi)	G <sup>3</sup> / <sub>4</sub>	Aluminium funnel, magnets	<b>937903Q</b>	PXWL2-10
TPR220QLBP2EG12L	TPR80-G <sup>3</sup> / <sub>4</sub> PXWL2-20 AB15 MM MA	80	TPR80	Length 2	20	Nitrile	Plugged	1.5 Bar (22 Psi)	G <sup>3</sup> / <sub>4</sub>	Aluminium funnel, magnets	<b>937905Q</b>	PXWL2-20
TPR510QLBP2EG201	TPR120-2G1 <sup>1</sup> / <sub>2</sub> PXWL3-10 B15 MM	120	TPR120	Length 5	10	Nitrile	Plugged	1.5 Bar (22 Psi)	2xG1 <sup>1</sup> / <sub>2</sub>	None	<b>937892Q</b>	PXWL3-10
TPR520QLBP2EG201	TPR120-2G1 <sup>1</sup> / <sub>2</sub> PXWL3-20 B15 MM	120	TPR120	Length 5	20	Nitrile	Plugged	1.5 Bar (22 Psi)	2xG1 <sup>1</sup> / <sub>2</sub>	None	<b>937895Q</b>	PXWL3-20
TPR710QLBP2EG241	TPR250-2G1 <sup>1</sup> / <sub>2</sub> PXWL4A-10 B15 MM	250	TPR250	Length 7	10	Nitrile	Plugged	1.5 Bar (22 Psi)	2xG1 <sup>1</sup> / <sub>2</sub>	None	<b>937894Q</b>	PXWL4A-10
TPR720QLBP2EG241	TPR250-2G1 <sup>1</sup> / <sub>2</sub> PXWL4A-20 B15 MM	250	TPR250	Length 7	20	Nitrile	Plugged	1.5 Bar (22 Psi)	2xG1 <sup>1</sup> / <sub>2</sub>	None	<b>937897Q</b>	PXWL4A-20
TPR1110QLBP2EG241	TPR650-2G1 <sup>1</sup> / <sub>2</sub> PXWL8-10 B15 MM	650	TPR650	Length 11	10	Nitrile	Plugged	1.5 Bar (22 Psi)	2xG1 <sup>1</sup> / <sub>2</sub>	None	<b>937914Q</b>	PXWL8-10
TPR1120QLBP2EG241	TPR650-2G1 <sup>1</sup> / <sub>2</sub> PXWL8-20 B15 MM	650	TPR650	Length 11	20	Nitrile	Plugged	1.5 Bar (22 Psi)	2xG1 <sup>1</sup> / <sub>2</sub>	None	<b>937917Q</b>	PXWL8-20

Note: Filter assemblies ordered from the product configurator below are on extended lead times. Where possible, please make your selection from the table above.

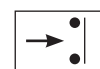
Visual indicator	
Thread connection	G <sup>3</sup> / <sub>4</sub>
Code	FMUG2EBPG02L

Specifications	
Elec.rating	42V / 2A
Thread connection	G <sup>3</sup> / <sub>4</sub>
Elec.connection	AMP terminal 6.3x0.8
Protection	IP65 (terminal IP00)
Switch type	NO or NC
Code	FMUS2EBMG02L (NO switch)
	FMUS3EBMG02L (NC switch)

Normally open contacts



Normally closed contacts



#### Product configurator

##### Configurator example TPR filter

Box 1	Box 2	Box 3	Box 4	Box 5	Box 6	Box 7	Box 8
TPR	2	05QL	B	S2	I	G12	L

Box 1	Box 2	Box 3
<b>Code</b> TPR	<b>Filter type</b>	<b>Degree of filtration</b>
	<b>Housing</b>	<b>Element media</b>
	TPR 1-40	<b>Glass fibre</b>
	TPR 1-80	Microglass III (for disposable elements)
	TPR 2-120	<b>Cellulose</b>
	TPR 2-200	Ecoglass III (for Leif® elements)
	TPR 2-250	Nom. rating
	TPR 3-450	10C
	TPR 3-650	02Q
		05Q
		<b>10Q</b>
		<b>20Q</b>
		<b>Wire mesh</b>
		Abs. rating
		040W
		<b>LEIF® element (for all TPR Filters)</b>
		02QL
		<b>05QL</b>
		<b>10QL</b>
		<b>20QL</b>

Seal type	
Seal material	Code
Nitrile	<b>B</b>
Fluoroelastomer	on request

Indicator	
	Code
Pressure gauge, setting 1.2 bar, G <sup>3</sup> / <sub>4</sub>	<b>G2</b>
Pressure switch 42V, 1.2 bar setting, NO with G <sup>3</sup> / <sub>4</sub>	<b>S2</b>
Pressure switch 42V, 1.2 bar setting, NC with G <sup>3</sup> / <sub>4</sub>	S3
Pressure switch 250V, NO/NC with G <sup>3</sup> / <sub>4</sub>	S4
No indicator, indicator ports not machined	on request
No indicator, indicator port R plugged	on request
No indicator, indicator ports L + R plugged	<b>P2</b>
Other settings for indicators / gauges on request	on request

Bypass valve	
Bypass valve	Code
0.8 bar	B
1.5 bar	<b>E</b>
2.5 bar (TPR 1 Series only)	on request
Other bypass settings	on request

Note 1: Part numbers featured with bold highlighted codes will ensure a 'standard' product selection.

Note 2: Alternate displayed part number selection will require you to contact Parker Filtration for availability.

Filter connection	
Ports	Code
G <sup>3</sup> / <sub>4</sub> (BSP) (TPR 1 Series)	<b>G12</b>
SAE12 (TPR 1 Series)	S12
G1 <sup>1</sup> / <sub>2</sub> (BSP) (TPR 2 Series)	G20
2 x ISO 228-G1 <sup>1</sup> / <sub>2</sub> (BSP) (TPR 2 Series)	<b>2G20</b>
SAE 20 (TPR 2 Series)	S20
2 x SAE 20 (TPR 2 Series)	2S20
SAE 24 (TPR 2 Series)	S24
2 x SAE 24 (TPR 2 Series)	2S24
G1 <sup>1</sup> / <sub>2</sub> (BSP) (TPR 2 and 3 Series)	G24
2 x G1 <sup>1</sup> / <sub>2</sub> (BSP) (TPR 2 and 3 Series)	<b>2G24</b>

Options	
Options	Code
Standard	<b>1</b>
Dipstick	<b>6</b>
Aluminium funnel for TPR 1-80	J
Magnets for TPR 1 Series	<b>E</b>
Magnets + Dipstick for TPR 1 Series	K
Magnets + Aluminium Funnel for TPR 80 Series	<b>L</b>
Magnets + Aluminium Funnel + Dipstick for TPR 80 Series	M
Other combinations	on request

Note: Tanktopper I Series are standard supplied with POM type diffuser. Aluminium funnel is recommended for heavy duty applications, sensitivity for electrostatically charging or high fluid temperatures.

Tanktopper II and III Series are always supplied with metal diffuser.

#### Highlights Key (Denotes part number availability)

123	Item is standard
<b>123</b>	Item is standard green option
<b>123</b>	Item is semi standard
123	Item is non standard

Note: Standard items are in stock, semi standard items are available within four weeks



# Tanktopper Series I, II & III

## Tanktop Mounted Return Line Filters with Integrated Air Breather

### Ordering Information (cont.)

Degree of filtration						Media code
Average filtration beta ratio $\beta$ (ISO 16889) / particle size $\mu\text{m}$ [c]						
$\beta(x)=2$	$\beta(x)=10$	$\beta(x)=75$	$\beta(x)=100$	$\beta(x)=200$	$\beta(x)=1000$	
% efficiency, based on the above beta ratio ( $\beta x$ )						
50.0%	90.0%	98.7%	99.0%	99.5%	99.9%	
N/A	N/A	N/A	N/A	N/A	4.5	02Q/02QL
N/A	N/A	4.5	5	6	7	05Q/05QL
N/A	6	8.5	9	10	12	10Q/10QL
6	11	17	18	20	22	20Q/20QL

Supersedes spare element table				
TPR 1-40	PXWL1-2	PXWL1-5	PXWL1-10	PXWL1-20
Part number spare element	937898Q	937900Q	937902Q	937904Q
TPR 1-80	PXWL2-2	PXWL2-5	PXWL2-10	PXWL2-20
Part number spare element	937899Q	937901Q	937903Q	937905Q
TPR 2-120	PXWL3-2	PXWL3-5	PXWL3-10	PXWL3-20
Part number spare element	937886Q	937889Q	937892Q	937895Q
TPR 2-200	PXWL4-2	PXWL4-5	PXWL4-10	PXWL4-20
Part number spare element	937887Q	937890Q	937893Q	937896Q
TPR 2-250	PXWL4A-2	PXWL4A-5	PXWL4A-10	PXWL4A-20
Part number spare element	937888Q	937891Q	937894Q	937897Q
TPR 3-250	PXWL6-2	PXWL6-5	PXWL6-10	PXWL6-20
Part number spare element	937906Q	937909Q	937912Q	937915Q
TPR 3-450	PXWL7-2	PXWL7-5	PXWL7-10	PXWL7-20
Part number spare element	937907Q	937910Q	937913Q	937916Q
TPR 3-650	PXWL8-2	PXWL8-5	PXWL8-10	PXWL8-20
Part number spare element	937908Q	937911Q	937914Q	937917Q

Supersedes spare element table						
TPR 1-40	PXX1A-10	PXW1A-2	PXW1A-5	PXW1A-10	PXW1A-20	PS1A-40
Part number spare element	937918	937920Q	937925Q	937930Q	937935Q	937940
TPR 1-80	PXX2A-10	PXW2A-2	PXW2A-5	PXW2A-10	PXW2A-20	PS2A-40
Part number spare element	937919	937921Q	937926Q	937931Q	937936Q	937941
TPR 3-160		PXW5-2	PXW5-5	PXW5-10	PXW5-20	
Part number spare element		937922Q	937927Q	937932Q	937937Q	
TPR 3-250		PXW6-2	PXW6-5	PXW6-10	PXW6-20	
Part number spare element		937923Q	937928Q	937933Q	937938Q	
TPR 3-450		PXW7-2	PXW7-5	PXW7-10	PXW7-20	
Part number spare element		937924Q	937929Q	937934Q	937939Q	

Tank Topper Series Seal Kits	
Part Number	Description
2049010052	NITRILE SEAL KIT TPR1 AG FUNNEL ALU
2049010050	NITRILE SEAL KIT TPR1 AG FUNNEL POM
2049010053	NITRILE SEAL KIT TPR1 NO AG FUNNEL ALU
2049010051	NITRILE SEAL KIT TPR1 NO AG FUNNEL POM
2049010056	NITRILE SEAL KIT TPR2 B
2049010027	NITRILE SEAL KIT TPR3 B
	AG = Air Guide

# Suction Return Series

Tanktop Mounted Suction & Return Line  
Filters - Types SR1 & SR2

Max. 250 l/min - 10 bar



Filters both open  
and closed loop oil  
circuits through one  
filter

## Reduced risk of pump cavitation

SR1 and SR2 are capable of feeding filtered oil under positive pressure to the suction side of the boost pump filtering both open and closed loop oil systems through one filter. Maximum pressure 10 bar. Maximum flow 250 l/min. Use LEIF® environmentally friendly elements.



## Contact Information:

Parker Hannifin  
Hydraulic Filter Division Europe

European Product  
Information Centre  
Freephone: 00800 27 27 5374  
(from AT, BE, CH, CZ, DE, EE, ES,  
FI, FR, IE, IT, PT, SE, SK, UK)  
filtrationinfo@parker.com

[www.parkerhfde.com](http://www.parkerhfde.com)

## Product Features:

- SR capable of feeding filtered oil under positive pressure to the suction side of the boost pump.
- Filters both open and closed loop oil systems through one filter.
- Maximum pressure 10 bar. Maximum flow 250 l/min.
- SR uses patented LEIF® elements to safeguard filtration quality.

# Suction Return Series

## Tanktop Mounted Suction & Return Line Filters - Types SR1 & SR2

### Features & Benefits

Features	Advantages	Benefits
Compact design	Less space required to apply SR Series	Improved flexibility during system design
Bypass valve mounted in series with back-pressure valve	Pressurisation of filtered oil for hydrostatic drive ensured during bypass	Lower risk of pump cavitation No direct bypass in the tank reducing the additional risk of oil foaming
LEIF® elements	Patented element safeguards the use of genuine parts	Guaranteed quality of filtration Contributes to ISO 14001 certification
Strainer located in filter head	Strainer filters all bypass fluid by using a system-matched degree of filtration	Improved protection of system Strainer can be inspected and cleaned during service events
High level of customisation	Dedicated system-matched solutions can be easily made available	Improved integration of filter in system combined with lower initial system costs
Quick response bypass with low hysteresis	Reduction of bypass period due to low hysteresis Only a small part of the total flow is bypassing the element	Improved protection of system
Standard or customised funnel	Ensures that oil enters the tank under the oil level	Significant reduction of oil foaming
Multiple ports availability	Flexibility related to suction- and return line hose(s) arrangement	More compact solutions can be realised The use of manifold blocks can be avoided Easy to integrate with cooler circuit

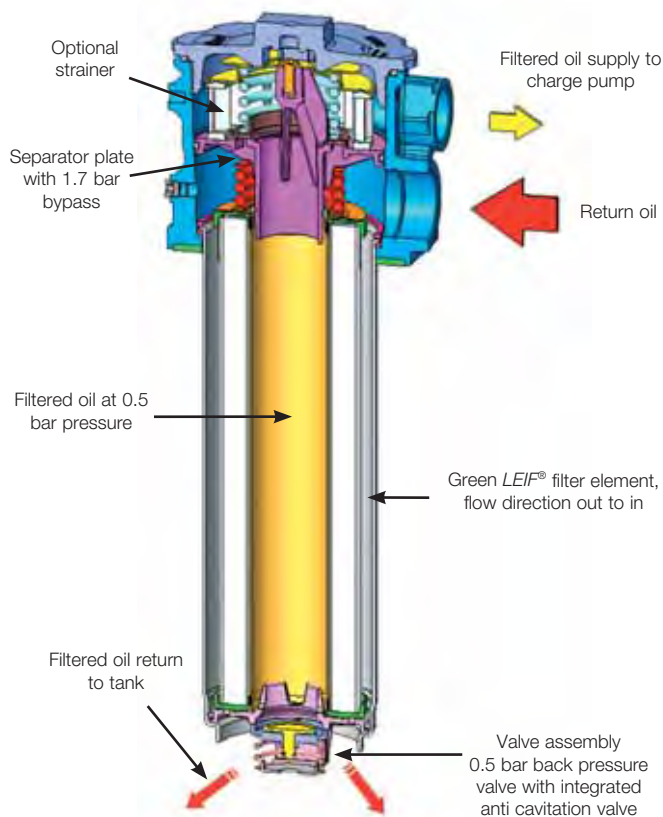
### Typical Applications

Mobile equipment with both open and closed hydraulic circuits. For example:

- Road sweepers
- Road rollers
- Fork lift trucks
- Loading shovels
- Telescopic handlers
- Dump trucks
- Skid steers
- Agricultural harvesting machines
- Mini excavators

### The Parker Filtration Tank Top Mounted Suction & Return Line Filters.

A tank top mounted return filter capable of feeding filtered oil under positive pressure to the suction side of the boost pump, thereby filtering both open and closed loop oil systems through one filter. The Parker SR filters use the patented LEIF® element for environmental-friendly filtration and offers protection against the use of pirate elements. Several options including integrated suction strainer and dipstick are available.



## Specification

### Pressure ratings:

Max. 10 bar.

### Assembly:

Tank top mounted filters.

### Connections:

Return port G1 (to BS 2779).

Suction port G<sup>3</sup>/<sub>4</sub> (to BS 2779).

} SR1

Return port G1<sup>1</sup>/<sub>4</sub> (ISO 228) or SAE20:

Optional second return port type SR2.

Suction port G1 (ISO 228) or SAE16:

Standard two suction ports.

} SR2

### Seal material:

Type SR1 – Nitrile.

Type SR2 – Nitrile, Fluoroelastomer.

Other seal material on request.

### Operating temperature range:

-30° to +110°C.

### Bypass valve system:

Main system bypass valve.

Type SR1 – 1.7 bar (2.5 bar optional).

Type SR2 – 1.7 bar (2.5 bar optional).

### Degree of filtration:

Determined by multipass test according to ISO 16889.

### Flow fatigue characteristics:

Filter media designed to optimise fatigue life.

### Filtration media:

Type SR1 and SR2 –

Ecoglass III for *LEIF*<sup>®</sup> elements. See 'degree of filtration' table on the Ordering Information page.

- High dirt holding capacity.

- Low pressure drop.

- Extended service life.

### Element collapse rating:

Type SR1 – 10 bar (ISO2941).

Type SR2 – 10 bar (ISO2941).

### Suction line:

Back-pressure valve setting 0.5 bar (nominal).

### Anti-cavitation:

Emergency suction valve fitted as standard.

### Construction:

#### Type SR1 and Type SR2

Filter Housing: Precision pressure die casting

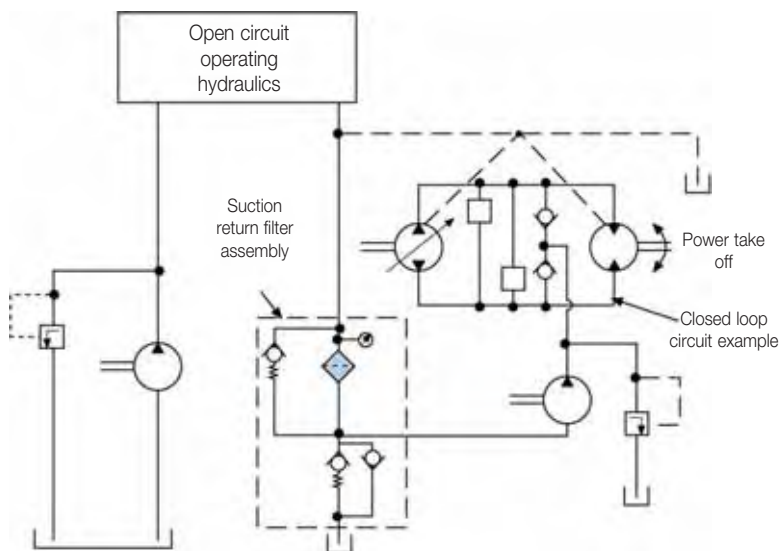
Cover: Glass reinforced nylon (high impact and temperature resistant)

Weight: 1.4Kg 3.3Kg

Filter element: *LEIF*<sup>®</sup> element with reusable metal element sleeve.

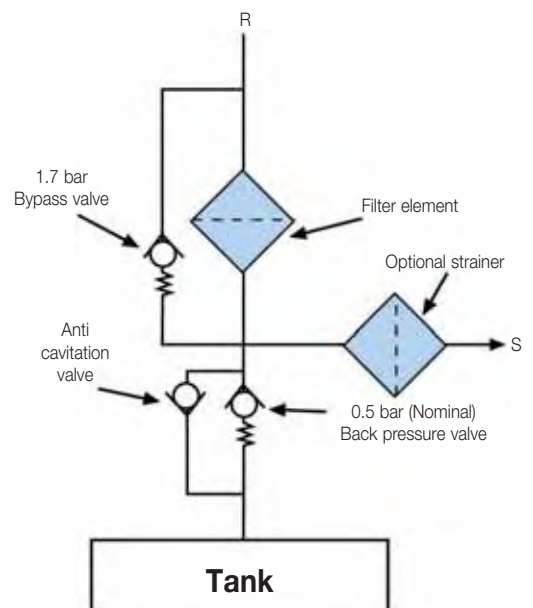
The patented *LEIF*<sup>®</sup> concept contributes to ISO14001 } SR1 and can be applied with mineral and HEES type fluids. } & SR2 For other fluid types consult Parker Filtration.

## Circuit Application Example



Note: Suction return filter without optional strainer.

## Suction Return Filter: Hydraulic Circuit

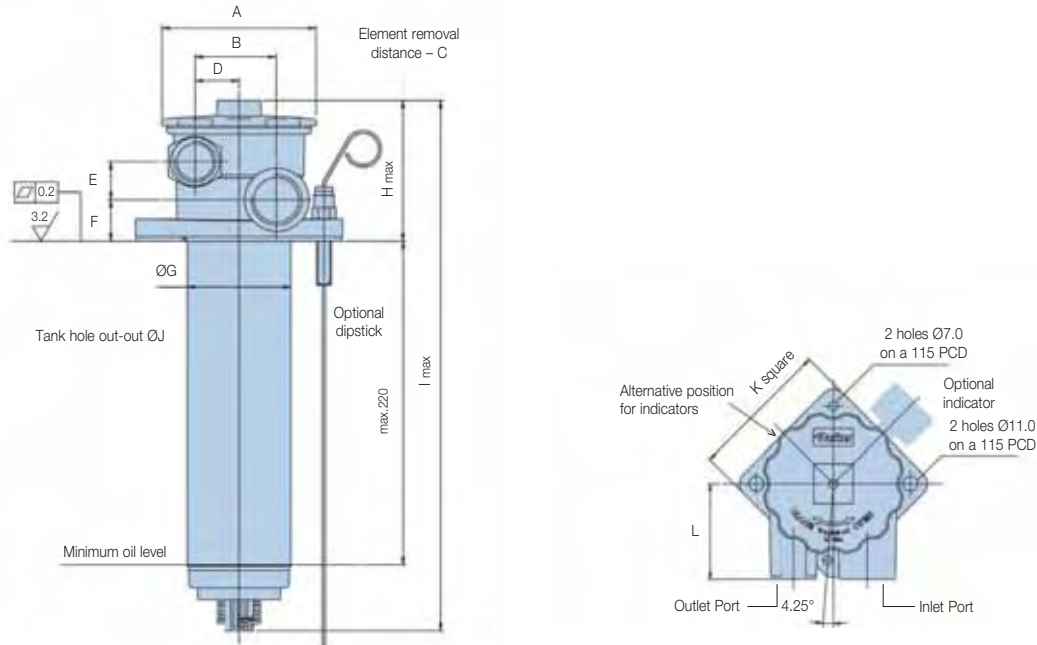


Note: Suction return filter with optional strainer.

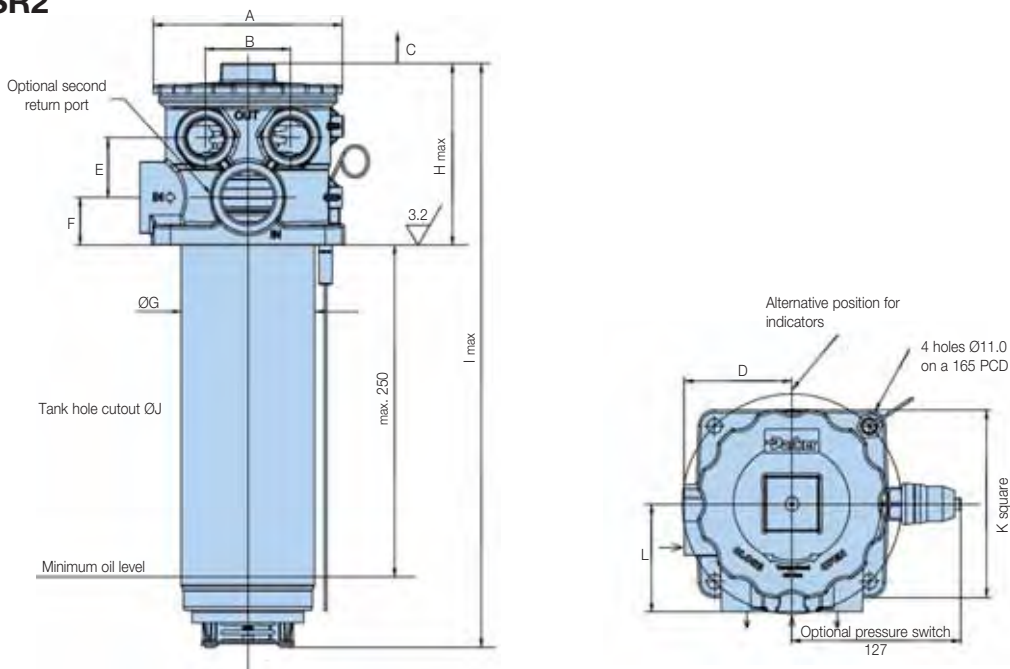
# Suction Return Series

Tanktop Mounted Suction & Return Line Filters - Types SR1 & SR2

## SR1



## SR2



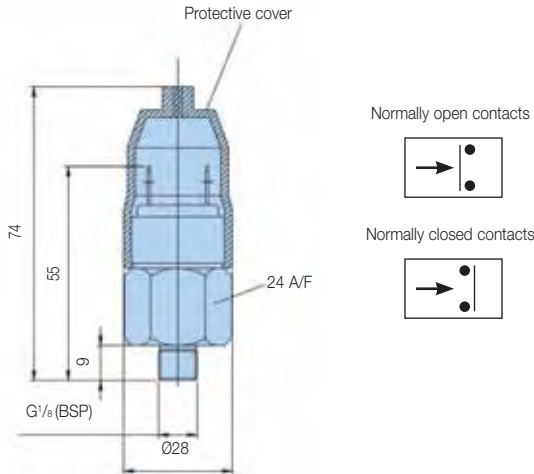
Dimensions mm (inches)	A	B	C	D	E	F	G	H	I	J	K	L
Type SRL1	106 (4.17)	55 (2.17)	280 (11.0)	29.75 (1.17)	26 (1.02)	28 (1.10)	70 (2.76)	96 (3.78)	361 (14.21)	71 to 73 (2.8 to 2.87)	105 (4.13)	72 (2.83)
Type SRL2	142 (5.59)	64 (2.52)	380 (14.96)	81 (3.19)	45 (1.77)	36 (1.42)	100 (3.94)	137 (5.39)	440 (17.32)	101 to 103 (3.98 to 4.06)	145 (5.71)	81 (3.19)

Element removal distance for dimension C.





## Indicator Details



Visual indicator	2 bar
Thread connection	G1/8
Code	FMUG5HBMG02L

Pressure switch	
Elec.rating	42V / 2A
Thread connection	G1/8
Elec.connection	AMP terminal 6.3 x 0.8
Protection	IP65 (terminal IP00)
Setting	2 bar
Switch type	NO or NC
Code	FMUS6HBMG02L (NO switch)
	FMUS7HBMG02L (NC switch)

Note: Vacuum indicators visual or electrical are available on request for filter type SR2 only.

## Principles of Operation

### Suction Return Series filter

This one filter assembly is designed to carry out two specific functions:

- (1) Filter system return line oil.
- (2) Supply filtered oil under positive pressure to the closed loop hydrostatic circuits.

### Principles of operation

- (1) Return oil from both the open and closed circuits\* is fed into the Suction Return Series Filter at port 'R'.
- (2) The filtered oil is maintained at a nominal 0.5 bar by the unique back pressure valve assembly and fed into the closed loop hydrostatic circuit via port 'S'.
- (3) Surplus filtered oil is fed back to the tank via the back pressure valve assembly.
- (4) Emergency suction (anti-cavitation) valve: This valve is fitted as standard to ensure oil is always available to the closed loop system, even on emergency occasions when the return flows do not meet the flow demands of the closed loop circuit.

### Additional installation guidance notes

- (1) Return oil flow should always be greater than the oil flow rate demanded by the closed loop charge pump.
- (2) Oil level at all times should not fall below valve assembly at the base of the filter bowl.

### Benefits

- (1) Only one filter is required to supply filtered oil to both open and closed loop circuits.
- (2) Feeding the closed loop circuit with filtered oil at a nominal pressure of 0.5 bar ensures excellent cold start characteristics, thus reducing the risk of cavitation.
- (3) Four hole mounting with gasket seal.
- (4) Microglass III filter element materials ensure; low pressure drop, high dirt holding capacity and extended service life.
- (5) Type Parker SR filters with patented *LEIF*® element, unique drain construction, quick element replacement concept.

### \*CAUTION:

Back pressure in pump and motor drain lines should always be kept at a minimum thus protecting shaft seals etc.

If case drain oils are to be fed through the return line filter please consult the pump/motor manufactures for details on maximum allowable back pressure.

Ensure filter elements are replaced when element condition indicators show that the bypass setting has been reached.

Failure to observe the above operation and guidance notes, or use of non genuine Parker specified filter elements could cause damage to the system. System designers should always ensure that adequate cooling capacity is available.

# Suction Return Series

## Tanktop Mounted Suction & Return Line Filters - Types SR1 & SR2

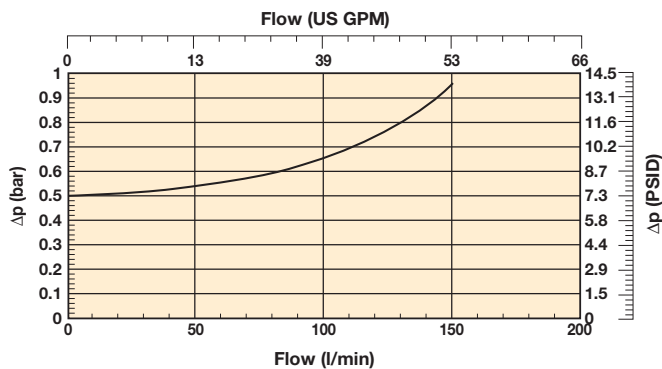
### Pressure Drop Curves (Type SR1)

The recommended level of the initial pressure drop is approximately 1 bar.

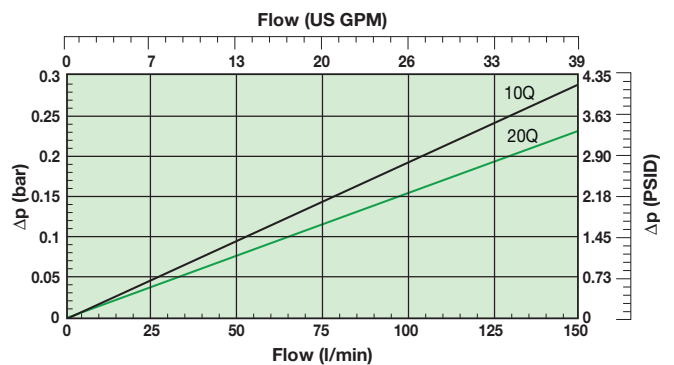
If the medium used has a viscosity different from 32cSt, pressure drop over the filter can be estimated as follows:

The total  $\Delta p = \text{Housing } \Delta p_h + (\text{Element } \Delta p_e \times \text{working viscosity}/32)$ .

**SRL1 Empty Housing (Length Code 2)**



**SRL1 (Element Length Code 2)**

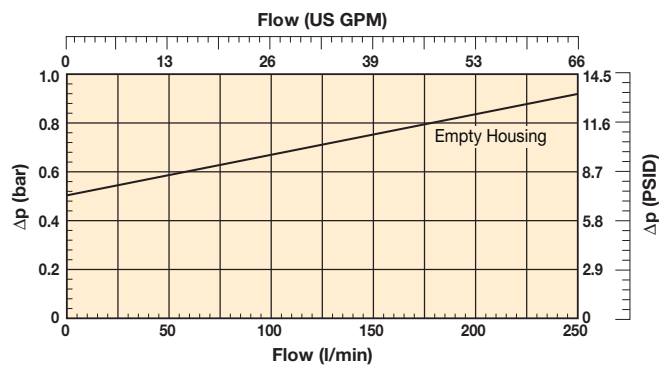


Curves are based on 32cSt fluid viscosity and 0.87 Kg/l density.  
Line represents the  $\Delta p$  of the housing including the back pressure valve.

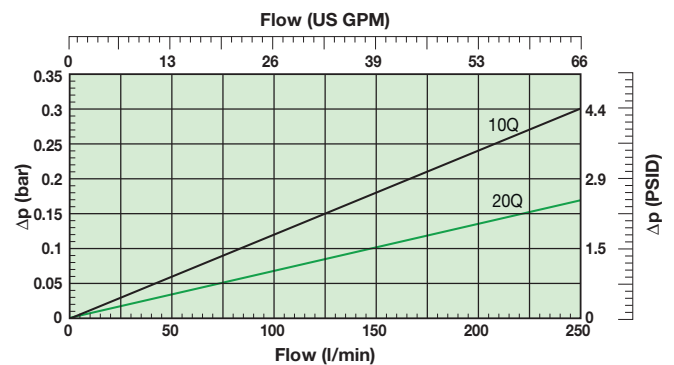
### Pressure Drop Curves (Type SR2)

Curves are based on 32cSt fluid viscosity and 0.87 Kg/l density.

**SRL2 Empty Filter Housing**



**SRL2 Filter Element Length 2**



Line represents the  $\Delta p$  of the housing including the back pressure valve.

# Ordering Information

## Standard products table

Part number	Supersedes	Flow (l/min)	Model number	Element length	Media rating (µ)	Seals	Indicator	Bypass settings	Ports return	Ports suction	Included options	Replacement elements	Supersedes
<b>SRL1210QLBPGG161</b>		130	SRL1	Length 2	10	Nitrile	Plugged	1.7 Bar (25 Psi)	G1	G <sup>1</sup> / <sub>4</sub>	None	<b>937984Q</b>	SRE12Q10
<b>SRL1220QLBPGG161</b>		130	SRL1	Length 2	20	Nitrile	Plugged	1.7 Bar (25 Psi)	G1	G <sup>1</sup> / <sub>4</sub>	None	<b>937985Q</b>	SRE12Q20
<b>SRL2210QLBPGG201</b>	SRL22Q10NP1B10	250	SRL2	Length 2	10	Nitrile	Plugged	1.7 Bar (25 Psi)	G1 <sup>1</sup> / <sub>4</sub>	2xG1	None	<b>937946Q</b>	SRE22Q10
<b>SRL2220QLBPGG201</b>	SRL22Q20NP1B10	250	SRL2	Length 2	20	Nitrile	Plugged	1.7 Bar (25 Psi)	G1 <sup>1</sup> / <sub>4</sub>	2xG1	None	<b>937947Q</b>	SRE22Q20

Note: Filter assemblies ordered from the product configurator below are on extended lead times. Where possible, please make your selection from the table above.

## Product configurator

### Configurator example SR filter

Box 1	Box 2	Box 3	Box 4	Box 5	Box 6	Box 7	Box 8
<b>SRL2</b>	<b>2</b>	<b>05QL</b>	<b>B</b>	<b>S6</b>	<b>G</b>	<b>2G20</b>	<b>I</b>

Box 1

Code	
Model	Code
SR1 Series with LEIF <sup>®</sup> element	<b>SRL1</b>
SR2 Series with LEIF <sup>®</sup> element	<b>SRL2</b>

### Highlights Key (Denotes part number availability)

<b>123</b>	Item is standard
<b>123</b>	Item is standard green option
<b>123</b>	Item is semi standard
123	Item is non standard

Note: Standard items are in stock, semi standard items are available within four weeks

Box 2

Filter type	
Housing	Code
Reduced length	on request
Standard length	<b>2</b>
Extended length	on request

Box 3

Degree of filtration				
Element	LEIF <sup>®</sup>			
	Q3 glassfibre βx(c) >200			
	Code	Code	Code	Code
LEIF <sup>®</sup>	<b>02QL</b>	<b>05QL</b>	<b>10QL</b>	<b>20QL</b>

Box 4

Seal type	
Seal material	Code
Nitrile	<b>B</b>
Fluoroelastomer	V

Box 5

Indicator	
	Code
Pressure gauge, setting 2.0 bar, G <sup>1</sup> / <sub>8</sub>	<b>G5</b>
Pressure switch 42V, 2.0 bar setting, NO with G <sup>1</sup> / <sub>8</sub> BSP	<b>S6</b>
Pressure switch 42V, 2.0 bar setting, NC with G <sup>1</sup> / <sub>8</sub> BSP	S7
Pressure switch 250V, NO/NC with G <sup>1</sup> / <sub>8</sub>	on request
No indicator, indicator port L + R plugged	<b>P</b>
Vacuum switch / vacuum gauge	on request
Other settings for indicators / gauges on request	on request

Box 6

Bypass valve	
Bypass valve	Code
1.7 bar	<b>G</b>
2.5 bar	I
Blocked bypass	on request
Other bypass settings	on request

Box 7

Filter connection		
Ports	Code	Note
Return port 1 x G1 (ISO228) + Suction port 1 x G <sup>1</sup> / <sub>4</sub> (ISO228)	<b>G16</b>	<b>SRL1</b>
Return port 1 x G1 <sup>1</sup> / <sub>4</sub> (ISO228) + Suction port 2 x G1 (ISO228)	<b>G20</b>	<b>SRL2</b>
Return port 2 x G1 <sup>1</sup> / <sub>4</sub> (ISO228) + Suction port 2 x G1 (ISO228)	<b>2G20</b>	<b>SRL2</b>
Return port 1 x SAE20 + Suction port 2 x SAE16	S20	<b>SRL2</b>
Return port 2 x SAE20 + Suction port 2 x SAE16	2S20	<b>SRL2</b>

Box 8

Options	
Options	Code
None	<b>1</b>
Strainer 120 micron	<b>G</b>
Dipstick	6
Plugged vent port in cover (on request)	on request
Strainer 120 micron, dipstick and plugged vent port	I
Customized options	on request

Degree of filtration						Media code
Average filtration beta ratio β (ISO 16889) / particle size µm [c]						
βx(c)=2	βx(c)=10	βx(c)=75	βx(c)=100	βx(c)=200	βx(c)=1000	
% efficiency, based on the above beta ratio (βx)						
50.0%	90.0%	98.7%	99.0%	99.5%	99.9%	<b>02Q/02QL</b>
N/A	N/A	N/A	N/A	N/A	4.5	<b>05Q/05QL</b>
N/A	N/A	4.5	5	6	7	<b>10Q/10QL</b>
N/A	6	8.5	9	10	12	<b>20Q/20QL</b>
6	11	17	18	20	22	

Spare elements		
Replacement elements	Supersedes	
937942Q	SRR12Q05N	Semi standard
937943Q	SRR12Q10N	Standard
937944Q	SRR12Q20N	Standard
<b>937945Q</b>	SRE22Q05	Semi standard
937946Q	SRE22Q10	Standard
<b>937947Q</b>	SRE22Q20	Standard
937983Q	SRE12Q05	Semi standard
937984Q	SRE12Q10	Standard
937985Q	SRE12Q20	Standard

Note 1: Part numbers featured with bold highlighted codes will ensure a 'standard' product selection.

Note 2: Alternate displayed part number selection will require you to contact Parker Filtration for availability.

Suction Return - Series Seal Kits	
Part Number	Description
<b>2049010065</b>	NITRILE SEAL KIT SRL1
<b>2049010061</b>	NITRILE SEAL KIT SRL2





LEIF®



Ecoglass III

# Parker E-Series

Ensure that the impact for the environment is minimized.

The development of filter products for Parker is an on-going process driven by the needs of the customer and the protection of our fragile planet.

E-Series filters are Parker's positive contribution to help minimize the impact on the environment with LEIF® Low Environmental Impact Filters and the Ecoglass III elements. Product ranges that together will help reduce disposal volumes and costs.

For more information on Parker Filtration's hydraulic environmental solutions, contact us today.

## E-Series

### Low Pressure Filters LEIF® elements

- Up to 1500 l/min
- Patented design
- Re-usable element sleeve
- Contributes to ISO 14001
- LEIF® elements contain Ecoglass III media

### Medium & High Pressure Filters Ecoglass III elements

- Medium pressure up to 1400 l/min
- High pressure up to 450 l/min
- Re-usable support tube
- Contributes to ISO 14001
- Ecoglass III media

# PT Tank Top Mounted filters

Max. 400 l/min - 10 bar



## An economical alternative for quality tank top mounted filtration

### In to out flow design avoids re-contamination of the hydraulic system

The PT tank top mounted filter features an aluminium filter head and screw-in style filter elements. This offers the opportunity to use the filter element as screw-in style for co-polymer reservoirs. With a patented design that protects the quality of filtration, the PT offers a modularity and value for money.



## Contact Information:

Parker Hannifin  
**Hydraulic Filter Division Europe**

**European Product Information Centre**  
**Freephone: 00800 27 27 5374**  
**(from AT, BE, CH, CZ, DE, EE, ES, FI, FR, IE, IT, PT, SE, SK, UK)**  
**filtrationinfo@parker.com**

[www.parkerhfde.com](http://www.parkerhfde.com)

## Product Features:

- Compact tank top mounted return line filter.
- Filter element can be used for direct screw-in mounting with co-polymer reservoirs.
- Patented filter element.
- In to Out flow avoids re-contamination of the system.
- Flow capability up to 400 l/min at 10 bar working pressure.
- Full options available July 2010.

# PT Tank Top Mounted filters

Max. 400 l/min - 10 bar

## Features & Benefits

Features	Advantages	Benefits
Aluminium filter head	Low profile, lightweight and durable	Less weight, smaller envelope and cleaner appearance.
In-to-Out filtration	All captured contamination retains inside the element	No recontamination of the system during change of element
Disposable filter cartridge	Easy to change cartridge	New housing cover and seals provided with each element change
Microglass III media	Multi-layered design produces high capacity and efficiency	Reliable performance. Reduced downtime

## Typical Applications

- Lorry mounted cranes
- Agricultural equipment
- Grass cutting equipment
- Container hook loaders

## The Parker Filtration PT tank top mounted series

The PT Series filter is available in various sizes covering a flow rate up to 400 l/min. Using the Microglass III media in 2, 5, 10 and 20 microns it provides premium particle removal efficiency.

This unique design simply threads into a ported tank ring, which can be bolted to a metal reservoir.

The disposable filter cartridge is a single-piece construction, which incorporates the nylon cover and integral 2 bar bypass valve. The flow path is inside-out and requires no special tools for service.

This concept assures minimal installation costs with the least space requirements for return line applications.



## Specification

### Pressure ratings:

Max. 10 bar.

### Connections

PT2: G $\frac{3}{4}$ " and G1"

PT4: G1" or G1 $\frac{1}{4}$ "

### Filter housing:

Aluminium

### Filter element:

Patented design including cover for filter housing (one disposable unit)

### Seal material:

Nitrile, viton

### Operation temperature:

-20°C to + 100°C

### Bypass:

1.7 bar

### Degree of filtration:

Determined by multipass test in accordance to ISO16889

### Flow fatigue:

Filter media is supported so that the optimal fatigue life is achieved (ISO3724)

### Filter Media:

Microglass III

### Indicator options:

Visual and electrical switch (NO/NC) type

### Fluid compatibility:

Mineral and HEES type fluids

## Principle of Filtration

The PT applies In-to-Out Filtration, this ensures that captured contamination is retained in the element during servicing the filter.

Bypass valve is integrated in the filter bottom element end cap. The filter element is completely disposable.

## Safety First

Each spare filter element is including seals for the sealing between tank top mounted filter housing and filter element. Because all seals are pre-mounting, no risk that (incorrect) seals are not replaced.

## PT Reservoir 'screw-in' solution to reduce costs and spacen

The PT applies In-to-Out Filtration, this ensures that captured contamination is reThe PT element can be integrated directly into a co-polymer reservoir. Parker Filtration can provide cavity details to co-polymer reservoir manufacturers to support this innovative solution.

This cavity includes the integrated return line port and optional connection for the pressure switch.

Thanks to the complete screw-in style solution, typically over 30% of the first fit cost can be reduced, the reservoir surface remains flat and hence can support more compact solutions, in particular for mobile applications.

Compared to the traditional tank top mounted filter, improved sealing between the reservoir and the filter can be achieved, eliminating potential leakage areas by 50% typically.

Please consult Parker Filtration for engineered reservoir solutions



## Important information when applying airtight funnels

Recommended opening in the tank top plate for the PT supplied with air tight funnel:

PT2 : 63.5 mm +/- 0.2 mm

PT4 : 98.5 mm +/- 0.2 mm

## Installation Information

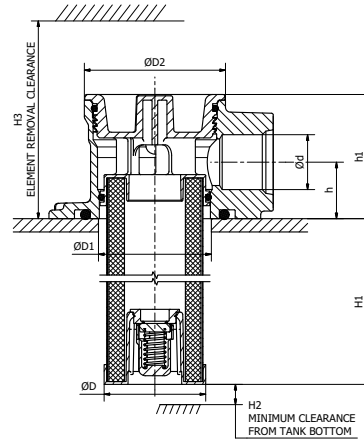
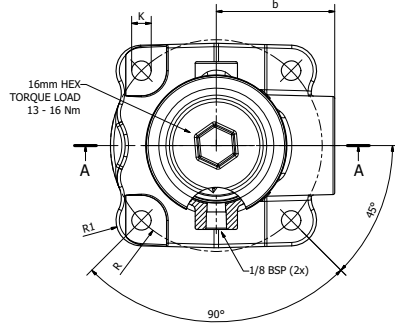
	Build in length in tank (mm)
PT2 Length 1	95
PT2 Length 2	185
PT2 Length 3	280
PT4 Length 1	98
PT4 Length 1	189
PT4 Length 1	310

# PT Tank Top Mounted filters

Max. 400 l/min - 10 bar

## Specification (cont)

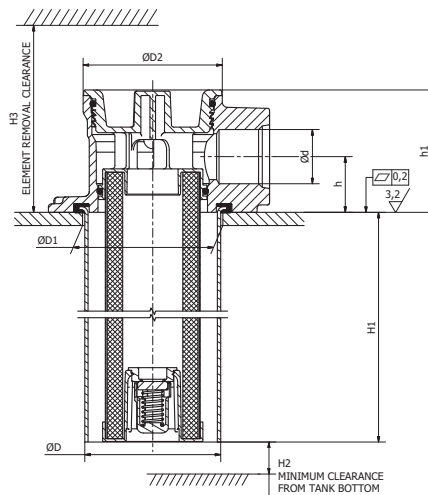
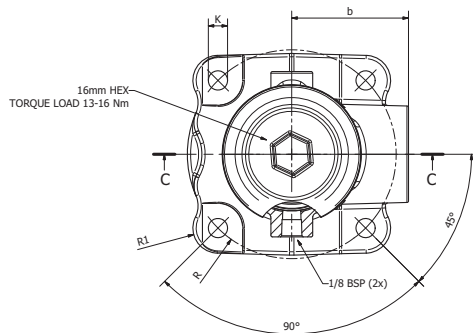
### PT2 Assembly without funnel



#### PT2 Screw-in Filter

Type	Connection Options	H1	H2	H3	h	h1	ØD	ØD1	ØD2	b	R	R1	K
PT2-1	G3/4, G1	78	6,5	190	25,4	56	Ø46	Ø51	Ø64	53	48	12	4x8,8
PT2-2	G3/4, G1	181	6,5	293	25,4	56	Ø46	Ø51	Ø64	53	48	12	4x8,8
PT2-3	G3/4, G1	277	6,5	389	25,4	56	Ø46	Ø51	Ø64	53	48	12	4x8,8

### PT2 Assembly with funnel



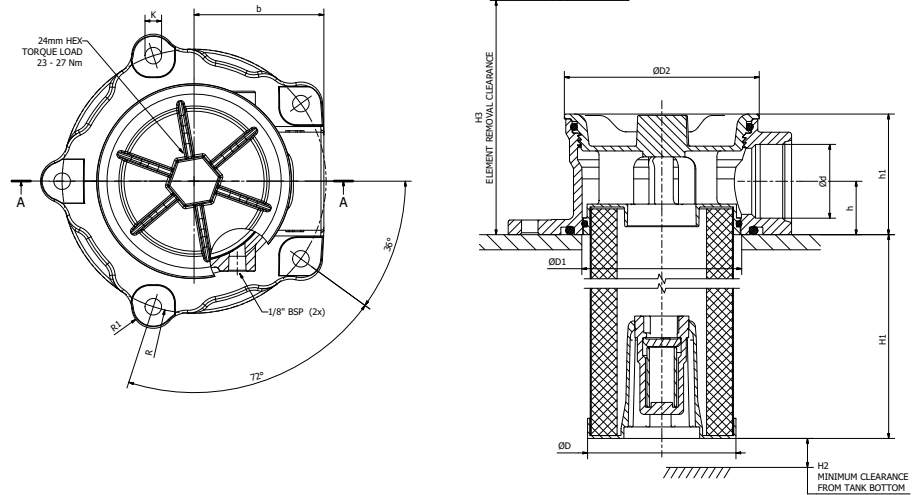
#### PT2 Screw-in Filter

Type	Connection Options	H1	H2	H3	h	h1	ØD	ØD1 +/-0,5	ØD2	b	R	R1	K
PT2-1	G3/4, G1	78	6,5	190	25,4	56	Ø62	Ø64	Ø64	53	48	12	4x8,8
PT2-2	G3/4, G1	181	6,5	293	25,4	56	Ø62	Ø64	Ø64	53	48	12	4x8,8
PT2-3	G3/4, G1	277	6,5	389	25,4	56	Ø62	Ø64	Ø64	53	48	12	4x8,8



## Specification (cont)

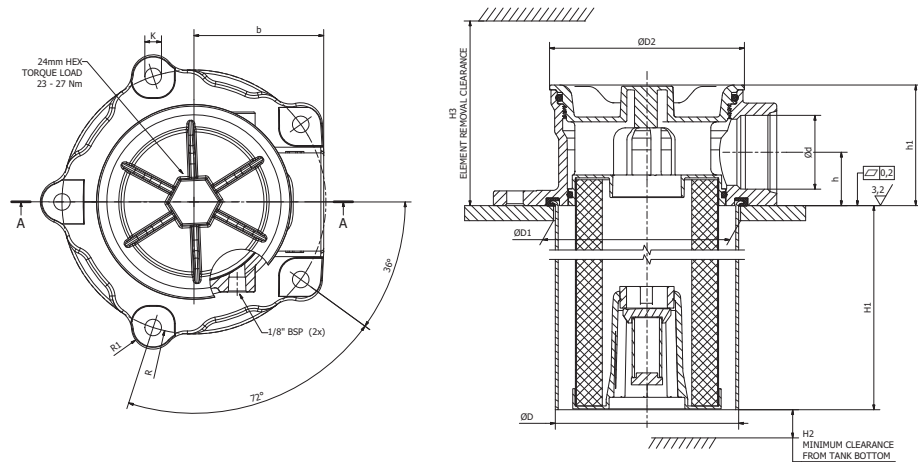
### PT4 Assembly without funnel



#### PT4 Screw-in Filter

Type	Connection Options	H1	H2	H3	h	h1	ØD	ØD1	ØD2	b	R	R1	K
PT4-1	G1, G1-1/4	94	10	222	28.2	64	Ø78.5	Ø85	Ø103	69	70	12	5xØ8,8
PT4-2	G1, G1-1/4	185	10	313	28.2	64	Ø78.5	Ø85	Ø103	69	70	12	4xØ8,8
PT4-3	G1, G1-1/4	306	10	434	28.2	64	Ø78.5	Ø85	Ø103	69	70	12	4xØ8,8

### PT4 Assembly with funnel



#### PT4 Screw-in Filter

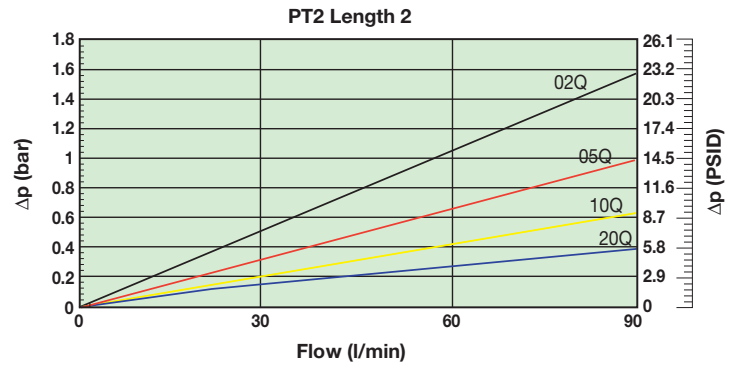
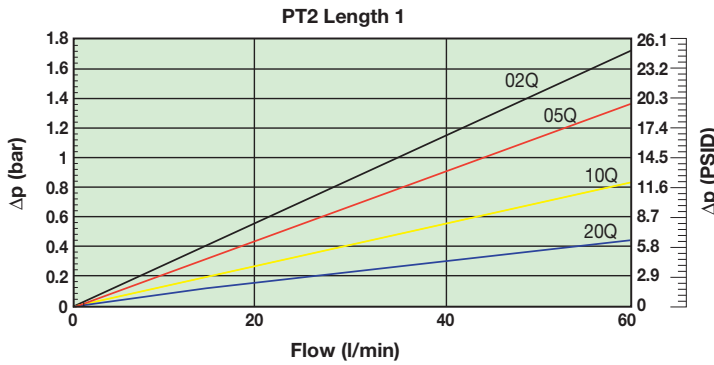
Type	Connection Options	H1	H2	H3	h	h1	ØD	ØD1 +/-0,5	ØD2	b	R	R1	K
PT4-1	G1, G1-1/4	94	10	222	28.2	64	Ø97	Ø99	Ø103	69	70	12	5xØ8,8
PT4-2	G1, G1-1/4	185	10	313	28.2	64	Ø97	Ø99	Ø103	69	70	12	5xØ8,8
PT4-3	G1, G1-1/4	306	10	434	28.2	64	Ø97	Ø99	Ø103	69	70	12	5xØ8,8

# PT Tank Top Mounted filters

Max. 400 l/min - 10 bar

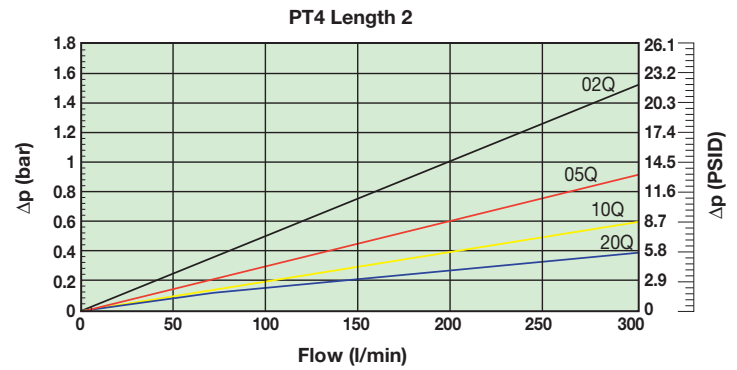
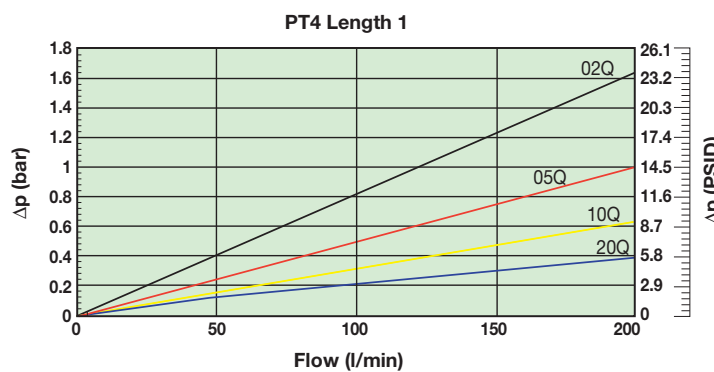
## Pressure Drop Curves (Type SR1)

### Flow Performance Charts - PT2 Series

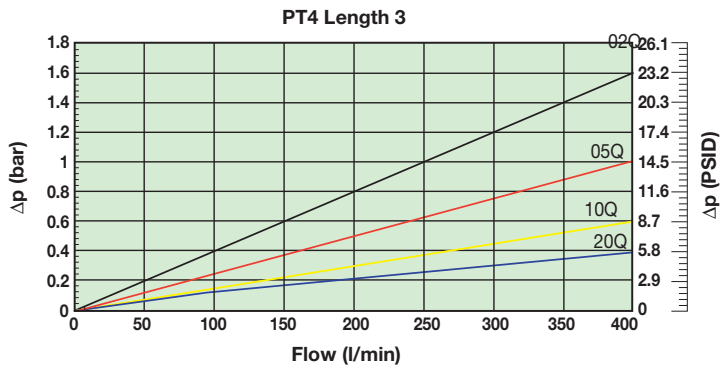


All delta-p values are based on 30 cSt fluid and 0,87 kg/l density

### Flow Performance Charts - PT4 Series

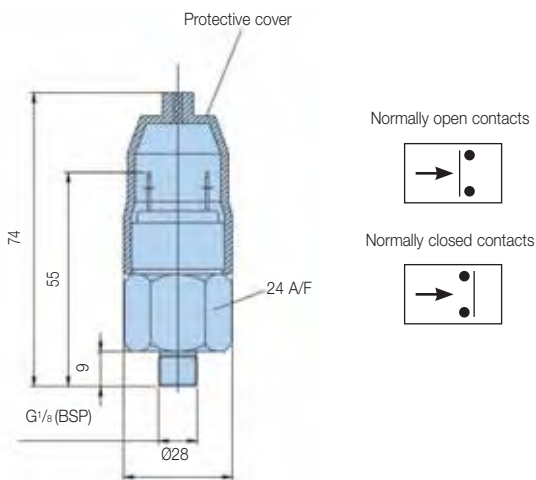


## Flow Performance Charts - PT4 Series



## Indicator Information

### Indicator PS NO/NC pressure switch



Specifications	
Elec. rating	42V / 2A
Thread connection	G <sup>1</sup> / <sub>8</sub>
Elec. connection	AMP terminal 6.3 x 0.8
Protection	IP65 (terminal IP00)
Switch type	NO or NC
Code	FMUS2EBMG02L (NO switch)
	FMUS3EBMG02L (NC switch)

## Ordering Information

### Product configurator

#### Configurator example PT filter

Box 1	Box 2	Box 3	Box 4	Box 5	Box 6	Box 7	Box 8
<b>PT2</b>	<b>1</b>	<b>10Q</b>	<b>B</b>	<b>P</b>	<b>G</b>	<b>G12</b>	<b>I</b>

#### Box 1

Housing	Code
PT2	PT2
PT4	PT4

#### Highlights Key (Denotes part number availability)

<b>123</b>	Item is standard
<b>123</b>	Item is standard green option
<b>123</b>	Item is semi standard
123	Item is non standard

Note: Standard items are in stock, semi standard items are available within four weeks

#### Box 2

Element Length	Code
Length 1	1
Length 2	2
Length 3 (PT4 only)	3

#### Box 3

Filter media (Microglass III)	Code
2 micron	02Q
5 micron	05Q
10 micron	10Q
20 micron	20Q

#### Box 4

Seal Material	Code
Nitrile	B
Viton	V

#### Box 5

Indicator	Code
Plugged port	P
Pressure Switch 24V, 1.2 bar setting, NO	S2
Pressure Switch 24V, 1.2 bar setting, NC	S3

#### Box 6

Bypass Valve	Code
1.7 bar	G

#### Box 7

Ports	Code
G <sup>3</sup> / <sub>4</sub> (PT2 only)	G12
G1	G16
G1 <sup>1</sup> / <sub>4</sub> (PT4 only)	G20

#### Box 8

Options	Code
No diffuser required	1
Airtight diffuser	4

### Spare Filter Elements

Media	PT2-1	PT2-2	PT4-1	PT4-2	PT4-3
<b>20Q</b>	936753Q	936757Q	936745Q	936749Q	936879Q
<b>10Q</b>	936752Q	936756Q	936744Q	936748Q	936878Q
<b>05Q</b>	936751Q	936755Q	936743Q	936747Q	936877Q
<b>02Q</b>	936750Q	936754Q	936742Q	936746Q	936876Q

### Filter Media Efficiency

Degree of filtration						Media code
Average filtration beta ratio $\beta$ (ISO 16889) / particle size $\mu\text{m}$ [c]						
$\beta_x(c)=2$	$\beta_x(c)=10$	$\beta_x(c)=75$	$\beta_x(c)=100$	$\beta_x(c)=200$	$\beta_x(c)=1000$	
% efficiency, based on the above beta ratio ( $\beta_x$ )						
<b>50.0%</b>	<b>90.0%</b>	<b>98.7%</b>	<b>99.0%</b>	<b>99.5%</b>	<b>99.9%</b>	
N/A	N/A	N/A	N/A	N/A	4.5	<b>02Q/02QL</b>
N/A	N/A	4.5	5	6	7	<b>05Q/05QL</b>
N/A	6	8.5	9	10	12	<b>10Q/10QL</b>
6	11	17	18	20	22	<b>20Q/20QL</b>

Note 1: Part numbers featured with bold highlighted codes will ensure a 'standard' product selection.

Note 2: Alternate displayed part number selection will require you to contact Parker Filtration for availability.



# Maxiflow Series

Spin-on Filters

Max. 360 l/min - 10 bar



## Designed for both suction and return application

### Spin-on filters with integrated indicator

The Maxiflow Series full flow filters for suction or return feature two integrated red/green indicators. Maximum pressure 10 bar. Maximum flow 360 l/min. A proven filter in many mobile and industrial applications from refuse vehicles to industrial power units



## Contact Information:

Parker Hannifin  
**Hydraulic Filter Division Europe**

**European Product Information Centre**  
Freephone: 00800 27 27 5374  
(from AT, BE, CH, CZ, DE, EE, ES, FI, FR, IE, IT, PT, SE, SK, UK)  
filtrationinfo@parker.com

www.parkerhfde.com

## Product Features:

- Maxiflow full flow filters for suction or return applications.
- Available with a variety of integrated and add-on indicators.
- Maximum pressure 10 bar. Maximum flow 360 l/min.
- High quality filter medium.



# Maxiflow Series

Spin-on Filters

Max. 360 l/min - 10 bar

## Features & Benefits

Features	Advantages	Benefits
Integrated indicator	Compact and robust durable construction	Easy identification of element status
High quality paint for canisters	Long term protection against corrosion	Improved protection of filter medium
Spin-on filters available for suction and return line filtration	Flexible product offering	Standardisation of components
High quality filter medium	Filter medium suitable for fatigue load due to high frequent flow fluctuation	Extended element life time

## Typical Applications

- Telescopic handlers
- Refuse vehicles
- Road sweepers
- Compactors
- Industrial power units
- Grass cutters
- Press brakes

### The Parker Filtration Maxiflow Full Flow Filters for Suction or Return.

Maxiflow type MXA8 and MXA9 feature two integral red/green indicators incorporated into the head. Fitted as standard, they ensure maximum indicator visibility and early warning of filter condition.

Maxiflow type MXA7 features one integral indicator.



# Specification

**Preferred Series MXA**

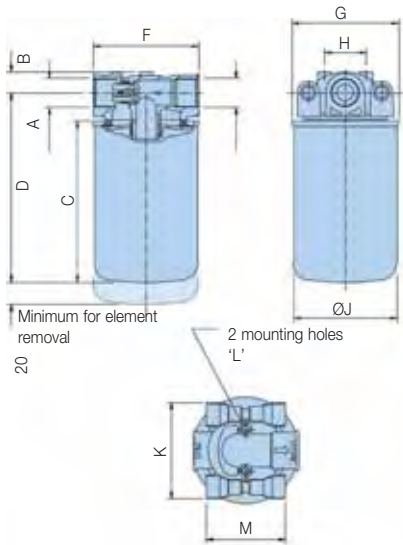
**Maximum working pressure:** 10 bar  
**Filter head material:** Aluminium LM24  
**Filter bowl material:** Steel  
**Seal material:** Nitrile  
**Operating temperature range:** -30°C to +90°C  
**Bypass:** Return line 1.05 bar  
 Suction line 0.17 bar  
 No bypass option  
**Fluids:** Mineral oils  
**Element media:** Microglass III media  
 Cellulose media

**PS Series**

10 bar  
 Aluminium alloy  
 Steel  
 Buna (nitrile)  
 -30°C to +110°C  
 Return line 1.5 bar  
 Suction line 0.10 bar  
 No bypass option  
 Mineral oils  
 Microglass III media  
 Cellulose media

# Installation Details

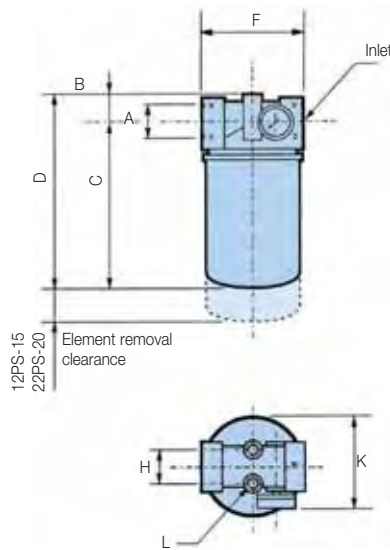
**MXA.8/MXA.9\*\*\***



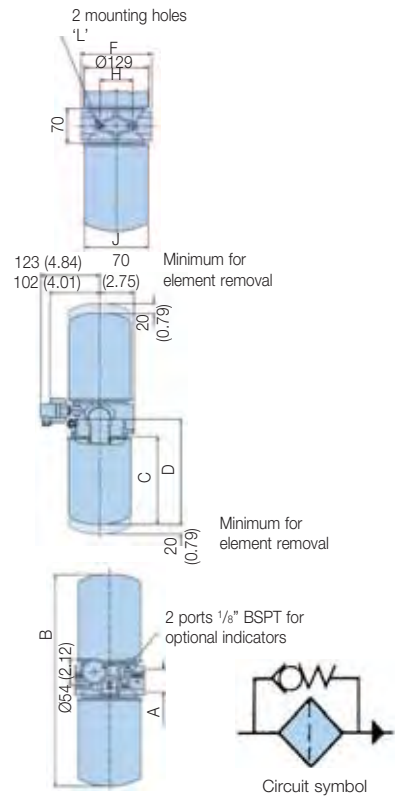
**Filter selection**

To select the correct filter use the appropriate pressure drop graphs. For details and an example of how to select the correct filter, see next page.

**12PS/22PS**



**MXA.7\*\*\***



Type	A	B	C	D	F	G	H	J	K	L	M
<b>MXA.8</b>	G <sup>3/4</sup>	19 (0.75)	147 (5.79)	173 (6.81)	95 (3.74)	97 (3.82)	38 (1.49)	94 (3.7)	88 (3.46)	M8 x 1.25 x 16 full depth	72 (2.83)
<b>12PS</b>		22 (0.86)	165 (6.49)	187 (7.36)	95 (3.74)	N/A	38 (1.49)	93 (3.66)	107 (4.21)		N/A
<b>MXA.9</b>	G <sup>1 1/4</sup>	30 (1.18)	179 (7.04)	213 (8.38)	133 (5.24)	129 (5.08)	50 (1.97)	127 (5.0)	130 (5.12)		72 (2.83)
<b>22PS</b>		28 (1.10)	208 (8.19)	236 (9.29)	133 (5.23)	N/A	50 (1.97)	130 (5.12)	N/A	N/A	
<b>MXA.7</b>	G <sup>1 1/2</sup>	430 (16.93)	179 (7.05)	214 (8.42)	140 (5.51)	N/A	65 (2.56)	127 (5.0)	N/A	M10 x 1.5	N/A



# Maxiflow Series

## Pressure Drop Curves

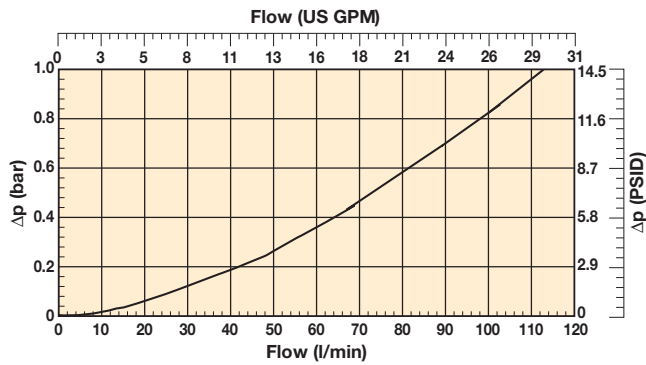
The recommended level of the initial pressure drop for low pressure filters is max 0.5 bar.

If the medium used has a viscosity different from 30cSt, pressure drop over the filter can be estimated as follows:

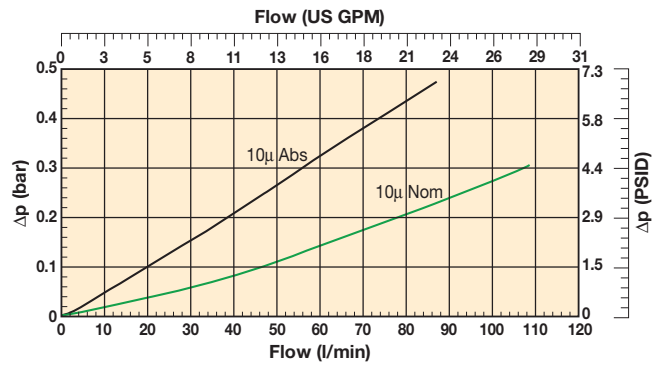
$$\Delta p = (\Delta p_{30} \times \text{viscosity of medium used}) / 30\text{cSt}$$

### Maxiflow (MXA.8\*\*\* Series) and 12PS Series

Filter Housing

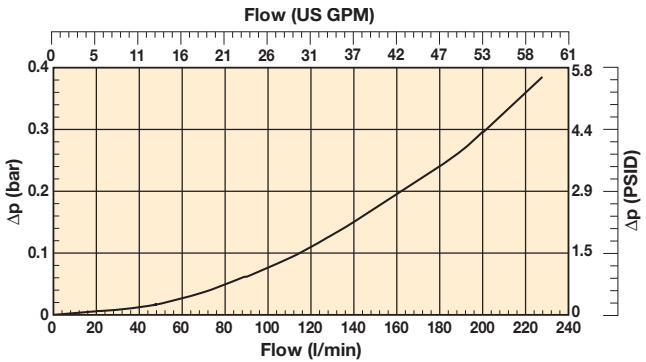


Filter Element

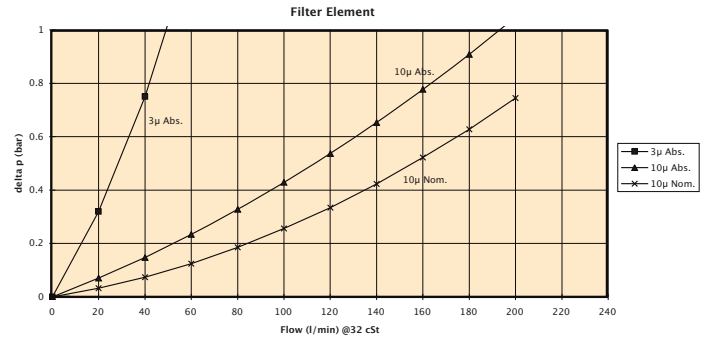


### Maxiflow (MXA.9\*\*\* Series) and 22PS Series

Filter Housing

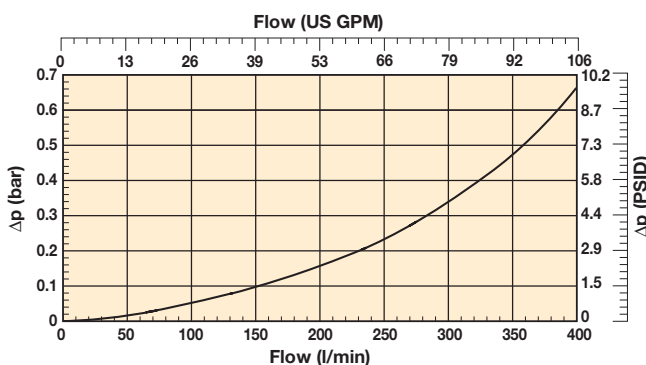


Filter Element

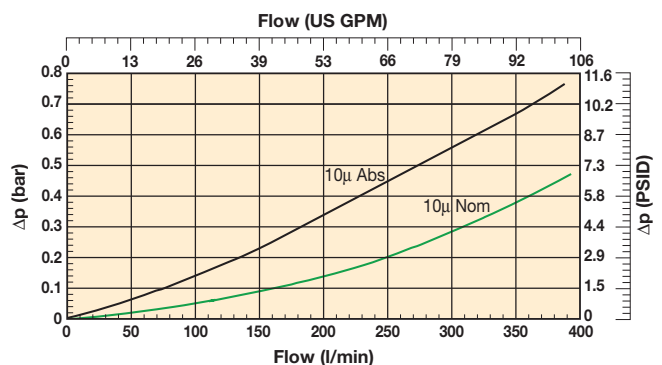


### Maxiflow (MXA.7\*\*\* Series)

Filter Housing



Filter Element



Note: All above data is calculated at 30cSt Rel density 0.856.



## Ordering Information

Type	Part number	Description	MAOP (bar)	Flow (l/min)	Media rating	Ports	Replacement element
------	-------------	-------------	------------	--------------	--------------	-------	---------------------

### MXA.8\*\*\* & 12PS Return Line Filters

MXA	MXA8551424	Assembly with bypass & dual visual indicators	10	70	10 micron abs.	G <sup>3</sup> / <sub>4</sub>	MXR8550
PS	12PS10BTV1R2B	Assembly with bypass & gauge type visual indicators					
MXA	MXA8511424	Assembly with bypass & dual visual indicators	10	70	10 micron nom.	G <sup>3</sup> / <sub>4</sub>	MX1518410 (x4*)
PS	12PS10CTV1R2B	Assembly with bypass & gauge type visual indicators					
	12PS10CTE2R2B	Assembly with bypass & electrical pressure indicator					
	12PS10CTPR2B	Assembly with bypass & no indicator					

### MXA.8\*\*\* & 12PS Suction Line Filters

MXA	MXA8511223	Assembly with bypass & dual visual indicators	10	20	10 micron nom.	G <sup>3</sup> / <sub>4</sub>	MX1518410 (x4*)
PS	12PS10CTV1S4B	Assembly with bypass & gauge type visual indicator					
MXA	MXA8510223	Assembly without bypass, with dual visual indicators					
PS	12PS10CTV1SX4B	Assembly without bypass, with gauge type visual indicator					

### MXA.9\*\*\* & 22PS Return Line Filters

MXA	MXA9561424	Assembly with bypass & dual visual indicators	10	30	3 micron abs.	G1 <sup>1</sup> / <sub>4</sub>	MXR9560
-----	------------	---	----	----	---------------	--------------------------------	---------

#### 3 Micron abs. filtration for Off-Line and Bypass System Clean Up

Maxiflow 3 micron elements are ideal for off-line or bypass clean up applications. These can be specified for the 9\*\*\* and 7\*\*\* series return line filters

MXA	MXA9551424	Assembly with bypass & dual visual indicators	10	180	10 micron abs.	G1 <sup>1</sup> / <sub>4</sub>	MXR9550
PS	22PS10BTV1R2D	Assembly with bypass & gauge type visual indicators					
PS	22PS10BTE2R2D	Assembly with bypass & electrical pressure indicator					
PS	22PS10BTPR2D	Assembly with bypass & no indicator					
MXA	MXA9511424	Assembly with bypass & dual visual indicators	10	180	10 micron nom.	G1 <sup>1</sup> / <sub>4</sub>	MX1591410 (x4*)
PS	22PS10CTV1R2D	Assembly with bypass & gauge type visual indicator					
PS	22PS10CTE2R2D	Assembly with bypass & electrical pressure indicator					
PS	22PS10CTPR2D	Assembly with bypass & no indicator					

### MXA.9\*\*\* & 22PS Suction Line Filters

MXA	MXA9511223	Assembly with bypass & dual visual indicators	10	48	10 micron nom.	G1 <sup>1</sup> / <sub>4</sub>	MX1591410 (x4*)
PS	22PS10CTV2S4D	Assembly with bypass & gauge type visual indicator					
MXA	MXA9511023	Assembly without bypass, with visual indicators					
PS	22PS10CTPSX4D	Assembly without bypass, no indicator					

### MXA.7\*\*\* Return Line Filters

MXA	MXA7551424	Assembly with bypass & visual indicator	10	300	10 micron abs.	G1 <sup>1</sup> / <sub>2</sub>	MXR9550
MXA	MXA7511424	Assembly with bypass & visual indicator	10	350	10 micron nom.	G1 <sup>1</sup> / <sub>2</sub>	MX1591410 (x4*)

### MXA.7\*\*\* Suction Line Filters

MXA	MXA7551223	Assembly with bypass & visual indicator	10	80	10 micron abs.	G1 <sup>1</sup> / <sub>2</sub>	MXR9550
	MXA7551023	Assembly without bypass with visual indicator					
MXA	MXA7511223	Assembly with bypass & visual indicator	10	80	10 micron nom.	G1 <sup>1</sup> / <sub>2</sub>	MX1591410 (x4*)
	MXA7511023	Assembly without bypass with visual indicator					

The Maxiflow Series 7\*\*\* can be specified with additional visual or electrical indicators. Please consult Parker Filtration for details

**Note: Elements marked with (x4\*) are only available in packs of 4**



# The PAR FIT™ Fit



## THERE'S **ONLY ONE** SOLUTION

When it comes to replacement hydraulic filter elements there is only one solution: The ParFit interchange element range.

With over 30,000 standard, off-the-shelf variations, there is a ParFit element to fit most sizes and makes of OEM filters on mobile, construction, agricultural and industrial plant.

Every ParFit filter element is manufactured in Europe to the highest standards and is backed by our unrivalled technical support and money-back guarantees.

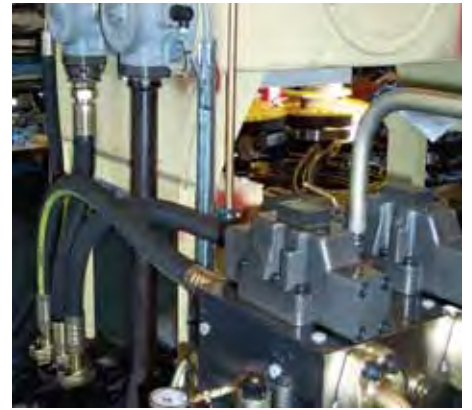
That means that you can reduce stockholdings, cut costs and be sure of the ultimate performance, with long, trouble-free operating life.

ParFit filters are available from ParkerStores and authorised distributors throughout the UK. To find your nearest ParkerStore Email [filtrationinfo@parker.com](mailto:filtrationinfo@parker.com) or find the ParFit you need using our element selector at [www.parkerhfde.com](http://www.parkerhfde.com).

# ATZ Series

Suction Filters

Max. 300 l/min



## When the ultimate protection is critical

### Compact and robust cast aluminium filter design

The ATZ Series locate below tank oil level offering maximum protection for the hydraulic system pump. Pre-filtration takes place by means of a magnetic column. Maximum flow 300 l/min. Suitable for heavy duty industrial applications and recommended for reservoirs with high contamination ingress.



## Contact Information:

Parker Hannifin  
**Hydraulic Filter Division Europe**

**European Product  
Information Centre**  
Freephone: 00800 27 27 5374  
(from AT, BE, CH, CZ, DE, EE, ES,  
FI, FR, IE, IT, PT, SE, SK, UK)  
filtrationinfo@parker.com

www.parkerhfde.com

## Product Features:

- ATZ submersible suction filters locate below tank oil level.
- Pre-filtration takes place by means of a magnetic column.
- Maximum flow 300 l/min.
- In-to-Out filter stops contaminated oil leaking back into the system.

# ATZ Series

## Suction Filters

### Features & Benefits

Features	Advantages	Benefits
Cast aluminium construction	Compact and robust durable construction	Suitable for heavy duty industrial applications
Integrated check valve	Filter element can be changed when the filter housing is submerged under the oil in the tank	Improved protection of sophisticated pumps
Magnetic pre-filtration	Removes ferrous particles, even during bypass conditions	Improved fluid cleanliness levels Extended element life time
In-to-Out filtration	All captured contamination retains inside the element	No recontamination of system during change of elements
Wide range of vacuum measurement devices	Continuous filter condition monitoring	Contributes to just-in-time service Improved protection of pump when pressure measurement device connected with pump drive management

### Typical Applications

- Wool untangling machine
- Hydraulic winch
- Power packs with sophisticated pumps
- Drilling blocks

### The Parker Filtration ATZ Series Submersible Suction Filters.

ATZ Filters are located below the tank's oil level, offering maximum protection for the hydraulic system pump. When removing the element, the check valve closes automatically, eliminating any chance of oil leakage. Pre-filtration takes place by means of a magnet column. Thanks to the 'In-to-Out' filter principle, contaminated oil cannot leak back into the system. ATZ Filters are capable of handling nominal flow rates up to 300 l/min.



## Specification

**Operating pressure:**

Vacuum.

**Assembly:**

Suction line filter, mounted horizontally against tank side.

**Connections:**

Threads G1<sup>1</sup>/<sub>2</sub> (ISO 228) or flanges 2" SAE-300PSI.

**Filter housing:**

Aluminium.

**Seal material:**

Nitrile, neoprene, fluoroelastomer.

**Operating temperature range:**

Seal material Nitrile: -40° to +100°C.

Seal material Fluoroelastomer: -20° to +130°C.

**Bypass valve:**

Blocked.

**Degree of filtration:**

Determined by multipass test according to ISO 16889.

**Flow fatigue characteristics:**

Filter media is supported so that the optimal fatigue life is achieved.

**Filtration media:**

Microglass III.

10µ cellulose and 40µ Stainless Steel.

**Element collapse rating:**

10 bar (ISO 2941).

**Pressure indicator options:**

0.15 bar or 0.30 bar (vacuum gauge).

125-250VAC (LI-0, 5A, Lr-2, 0A) (electrical vacuum switch).

12-28Vdc (Li-1, 0A, Lr-3, 0A) (electrical vacuum switch).

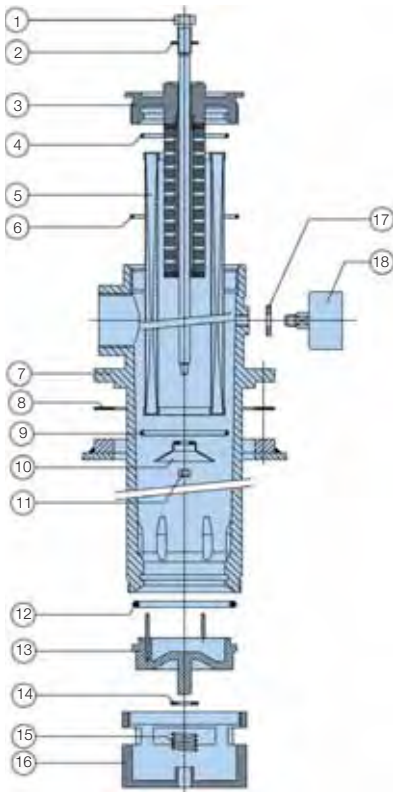
**Features:**

Unique check valve, enabling element change below oil level.

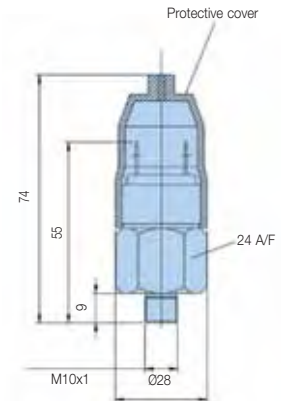
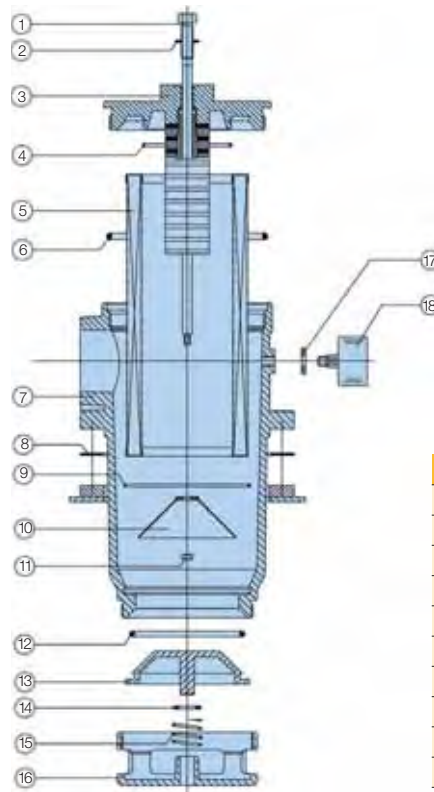
**Filter element:**

Element with steel end caps.

**ATZ-120**



**ATZ-300**



**ATZ-120 & ATZ-300**

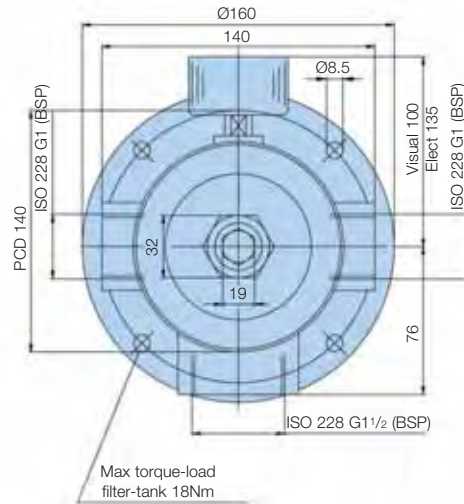
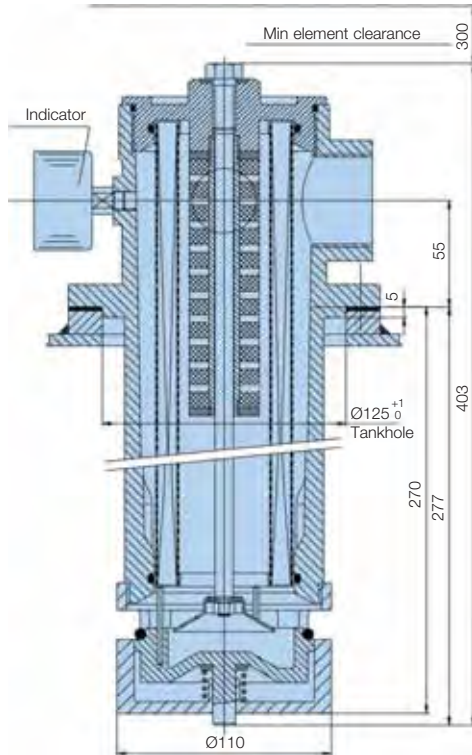
Ref. No.	Description	Ref. No.	Description
1	1 Bolt	10	1 Valve support
2	1 Seal ring	11	1 Nut
3	1 Insert	12	1 O-ring
4	1 O-ring	13	1 Valve
5	1 Element	14	1 Ring
6	1 O-ring	15	1 Spring
7	1 Filter-housing	16	1 Valve-housing
8	1 Gasket	17	1 Bonded seal
9	1 O-ring	18	1 Indicator

# ATZ Series

## Suction Filters

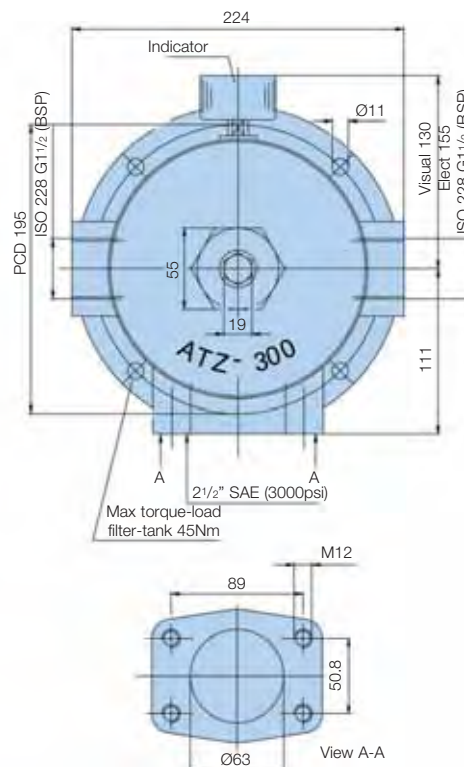
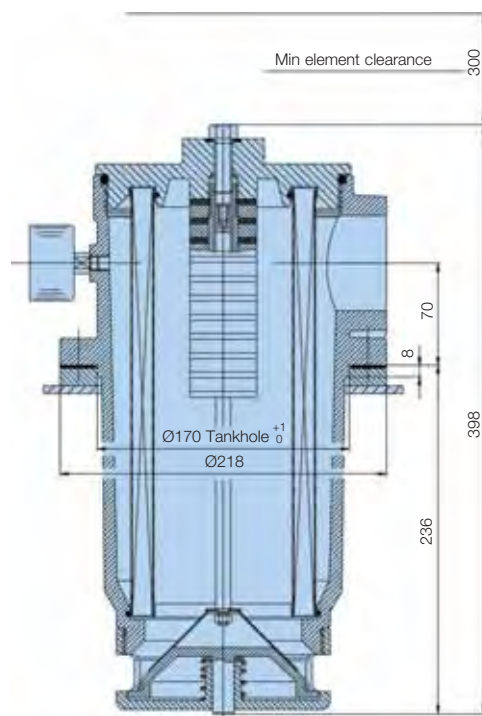
### Specification (cont.)

#### ATZ-120



The Parker suction filters, type ATZ, are designed for submerged operation. The filters contain a unique check valve which automatically closes when the filter insert is removed from the housing, thus enabling element change below oil level. Construction is based on the field proven Parker Filter System.

#### ATZ-300



## Pressure Drop Curves

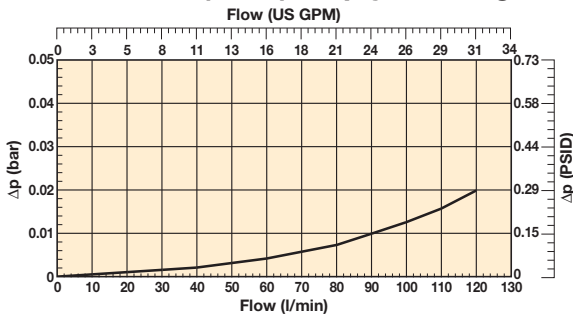
The recommended level of the initial pressure drop for suction filters is 0.03 bar.

If the medium used has a viscosity different from 32cSt, pressure drop over the filter can be estimated as follows:

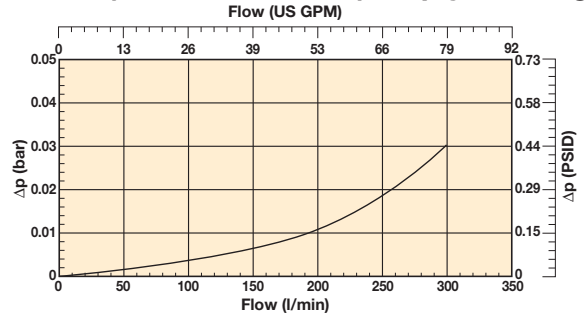
$$\Delta p = (\Delta p_{32} \times \text{viscosity of medium used}) / 32\text{cSt}$$

Filter housing and element pressure drop based on 32cSt fluid viscosity and 0.87 density.

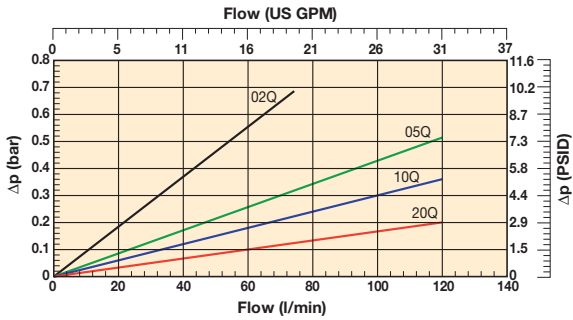
### ATZ 1-120 (G1<sup>1/2</sup>) Empty Housing



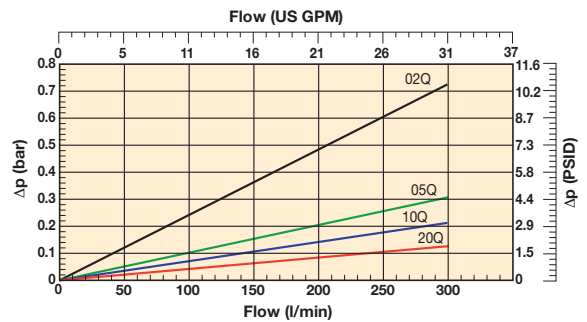
### ATZ 300 (2<sup>1/2</sup> SAE FLANGE) Empty Housing



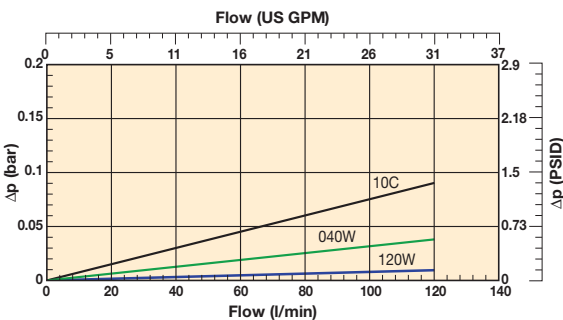
### ATZ120 Filter Element Length 1



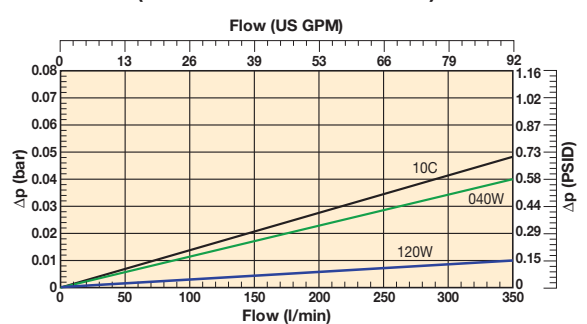
### ATZ300 Filter Element Length 2



### ATZ120 Filter Element Length 1 (cellulose and stainless steel)



### ATZ300 Filter Element Length 2 (cellulose and stainless steel)



# ATZ Series

## Suction Filters

### Ordering Information

#### Standard products table

Part number	Supersedes	Flow (l/min)	Model number	Element length	Media rating (µ)	Seals	Indicator	Bypass settings	Ports	Included options	Replacement elements	Supersedes
<b>ATZ110CBPXG241</b>	ATZ120-G1½ FXX1-R-10 B M	120	ATZ120	Length 1	10 NOM	Nitrile	Plugged	Blocked	G1½"	None	<b>937958</b>	FXX1-R-10
<b>ATZ110QBXPXG241</b>	ATZ120-G1½ FXW1-R-10 B M	120	ATZ120	Length 1	10 ABS	Nitrile	Plugged	Blocked	G1½"	None	<b>937964Q</b>	FXW1-R-10
<b>ATZ210CBPXR481</b>	ATZ300-S2½-C FXX3-10 B M	300	ATZ300	Length 2	10 NOM	Nitrile	Plugged	Blocked	2½" SAE-3000 PSI	None	<b>937959</b>	FXX3-10
<b>ATZ210QBXPXR481</b>	ATZ300-S2½-C FXW3-10 B M	300	ATZ300	Length 2	10 ABS	Nitrile	Plugged	Blocked	2½" SAE-3000 PSI	None	<b>937965Q</b>	FXW3-10

Note: Filter assemblies ordered from the product configurator below are on extended lead times. Where possible, please make your selection from the table above.

#### Product configurator

##### Configurator example ATZ filter

Box 1	Box 2	Box 3	Box 4	Box 5	Box 6	Box 7	Box 8
<b>ATZ</b>	<b>2</b>	<b>10C</b>	<b>B</b>	<b>U2</b>	<b>X</b>	<b>R48</b>	<b>1</b>

Box 1	Box 2	Box 3
<b>Code</b>	<b>Filter type</b>	<b>Degree of filtration</b>
<b>ATZ</b>	<b>Housing</b>	<b>Element media</b>
	Code	<b>Glass fibre</b>
	ATZ 1-120	Microglass III (for disposable elements)
	ATZ 2-300	<b>Cellulose</b>
		Nom. rating
		Disposable element
		<b>10C</b>
		02Q
		05Q
		<b>10Q</b>
		20Q
		040W
		<b>Wire mesh</b>
		Abs. rating

Box 4	
<b>Seal type</b>	
<b>Seal material</b>	
<b>Code</b>	
Nitrile	<b>B</b>
Fluoroelastomer	V
Neoprene	N

Box 5	
<b>Indicator</b>	
<b>Code</b>	
Vacuum gauge, setting -0.15 bar, M10x1	U1
Vacuum gauge, setting -0.3 bar, M10x1	<b>U2</b>
Vacuum switch 42V, -0.15 bar setting, NO/NC, M10 x 1	V1
Vacuum switch 42V, -0.30 bar setting, NO/NC, M10 x 1	V2
Vacuum switch 250 VAC, -0.15 bar setting, NO/NC, M10 x 1	V3
Vacuum switch 250 VAC, -0.30 bar setting, NO/NC, M10 x 1	V4
No indicator, indicator ports not machined	N
No indicator, indicator port plugged	<b>P</b>
Other settings for indicators / gauges on request	on request

Box 6	
<b>Bypass valve</b>	
<b>Code</b>	
Bypass valve	<b>X</b>
Blocked bypass	

Box 7	
<b>Filter connection</b>	
<b>Ports</b>	
<b>Code</b>	
G1½" + 2 x G1" (For ATZ 1-120 only)	<b>G24</b>
2½" SAE-3000 PSI + 2 x G1½" (For ATZ 2-300 only)	<b>R48</b>

Box 8	
<b>Options</b>	
<b>Options for ATZ 1-120</b>	
<b>Code</b>	
1 x G1½" + 1 x G1" plugged	<b>1</b>
Not plugged	Q
1 x G1" right plugged	R
2 x G1" left & right plugged	P
Special	on request
<b>Options for ATZ 2-300</b>	
2½" SAE with blind counterflange	1
No counterflange	Q
Special	on request

#### Highlights Key (Denotes part number availability)

<b>123</b>	Item is standard
<b>123</b>	Item is standard green option
<b>123</b>	Item is semi standard
123	Item is non standard

Note: Standard items are in stock, semi standard items are available within four weeks

<b>Degree of filtration</b>						<b>Media code</b>
Average filtration beta ratio $\beta$ (ISO 16889) / particle size $\mu\text{m}$ [c]						
$\beta_x(c)=2$	$\beta_x(c)=10$	$\beta_x(c)=75$	$\beta_x(c)=100$	$\beta_x(c)=200$	$\beta_x(c)=1000$	
% efficiency, based on the above beta ratio ( $\beta_x$ )						
50.0%	90.0%	98.7%	99.0%	99.5%	99.9%	
N/A	N/A	N/A	N/A	N/A	4.5	<b>02Q</b>
N/A	N/A	4.5	5	6	7	<b>05Q</b>
N/A	6	8.5	9	10	12	<b>10Q</b>
6	11	17	18	20	22	<b>20Q</b>

<b>Spare element table</b>						
ATZ 1-120	FXX1-R-10	FXW1-R-2	FXW1-R-5	FXW1-R-10	FXW1-R-20	SF1-R-40
Part number spare element	937958	937960Q	937962Q	937964Q	937966Q	937967
ATZ 2-300	FXX3-10	FXW3-2	FXW3-5	FXW3-10	FXW3-20	SF3-40
Part number spare element	937959	937961Q	937963Q	937965Q	937966Q	937968

<b>ATZ Series Seal Kits</b>	
<b>Part Number</b>	<b>Description</b>
<b>2049010001</b>	NITRILE SEAL KIT ATZ1
<b>2049010060</b>	FLUOROELASTOMER SEAL KIT ATZ1
<b>2049010002</b>	NITRILE SEAL KIT ATZ2



<b>Visual indicator</b>	
Setting	-0.3 bar
Thread connection	M10x1
Code	FMUJ2VBMM10L

<b>Electrical switch</b>	
Setting	-0.3 bar
Thread connection	M10x1
Switch type	NO or NC
Elec. connection	AMP terminal 6.3x0.8
Protection	IP54 (terminal IP00)
Performance	125-250 VAC (Li 0,5A, Lr 2,0A max)
	12-28 Vdc (Li 1,0A, Lr 3,0A max)
Code	FMUJ2VBMM10L

Note 1: Part numbers featured with bold highlighted codes will ensure a 'standard' product selection.

Note 2: Alternate displayed part number selection will require you to contact Parker Filtration for availability.



# 12AS Series

Coreless Spin-on Filter

Max. 75 l/min - 35 bar



## Environmentally friendly alternative for spin-in filtration

**Lightweight, non-metallic element that can be incinerated**

The 12S Series features a patented, re-usable coreless Ecoglass III element in a replaceable bowl for easy used element removal and disposal. Maximum pressure 35 bar and the Ecoglass element offers a low environmental impact in landfills.



## Contact Information:

Parker Hannifin  
**Hydraulic Filter Division Europe**

**European Product Information Centre**  
Freephone: 00800 27 27 5374  
(from AT, BE, CH, CZ, DE, EE, ES, FI, FR, IE, IT, PT, SE, SK, UK)  
filtrationinfo@parker.com

www.parkerhfde.com

## Product Features:

- 12S features a patented, re-usable coreless Ecoglass III element.
- Replaceable bowl design for easy element removal.
- Maximum pressure 35 bar.
- An eco filter solution for hydraulic systems.
- Full options available July 2010.

# Coreless Spin-on Filters

12AS Series

## WASTE.



500,000,000+

spin-on cans disposed of each year in North American landfills.

30,000,000

gallons of discarded residual waste oil.

250,000

tons of scrap metal.  
Expensive disposal costs.

## NOT.



## The Smart Alternative to Spin-on Cans!

### Features:

Parker engineers have developed an innovative alternative to the age old spin-on style can. This new design provides all of the benefits of high efficiency, long life Ecoglass III filtration, without the environmental impact.

The new environmentally-friendly 12AS hydraulic filters feature a reuseable bowl and a patented filter element constructed primarily of nylon and fiberglass. The element core is permanently attached as part of the filter bowl. When replaced, the element reduces costs, eliminates hot drain requirements, can be easily incinerated, and is better-suited for most landfills.

The 35 bar filter is rated up to 220 l/min, with premium Ecoglass III elements as standard offerings. The patented element design also prevents filter operation if the proper element is not in place.

### Applications:

- Mobile Ag
- Mobile Construction
- Material Handlers
- Aerial Lifts
- Pilot lines
- Charge pump hydrostatic drives
- Industrial power units
- Machine tools

Feature	Advantage	Benefit
<ul style="list-style-type: none"> <li>• 35 bar operating pressure</li> </ul>	<ul style="list-style-type: none"> <li>• Withstands pressure surges, allows application versatility.</li> </ul>	<ul style="list-style-type: none"> <li>• Broader applications compared to lower rated spin-on cans.</li> </ul>
<ul style="list-style-type: none"> <li>• Patented element</li> </ul>	<ul style="list-style-type: none"> <li>• Provides head-to-bowl seal.</li> <li>• Must be installed for operation.</li> <li>• Ensures original element must be used.</li> </ul>	<ul style="list-style-type: none"> <li>• Provides optimum leak-free performance.</li> <li>• Meets system cleanliness requirements.</li> </ul>
<ul style="list-style-type: none"> <li>• Coreless Ecoglass elements</li> </ul>	<ul style="list-style-type: none"> <li>• Lightweight, non-metallic.</li> <li>• Ease of service and disposal.</li> </ul>	<ul style="list-style-type: none"> <li>• Reduces disposal costs.</li> <li>• Can be incinerated.</li> <li>• Low environmental impact in landfills.</li> </ul>
<ul style="list-style-type: none"> <li>• Spin-on filter assembly w/re-usable bowl</li> </ul>	<ul style="list-style-type: none"> <li>• Improved, cost-effective design.</li> </ul>	<ul style="list-style-type: none"> <li>• Easy to maintain.</li> </ul>

## Specifications

### Pressure Ratings:

- Maximum Allowable Operating Pressure (MAOP): 35 bar (500 psi)
- Fatigue: 27.6 bar (400 psi)
- 1,000,000 cycles: 27.6 bar
- Design Safety Factor: 2.5:1

### Operating Temperatures:

Buna: -40°C to 107°C

### Element Collapse Rating:

10.3 bar (150 psid)

### Element Condition Indicators:

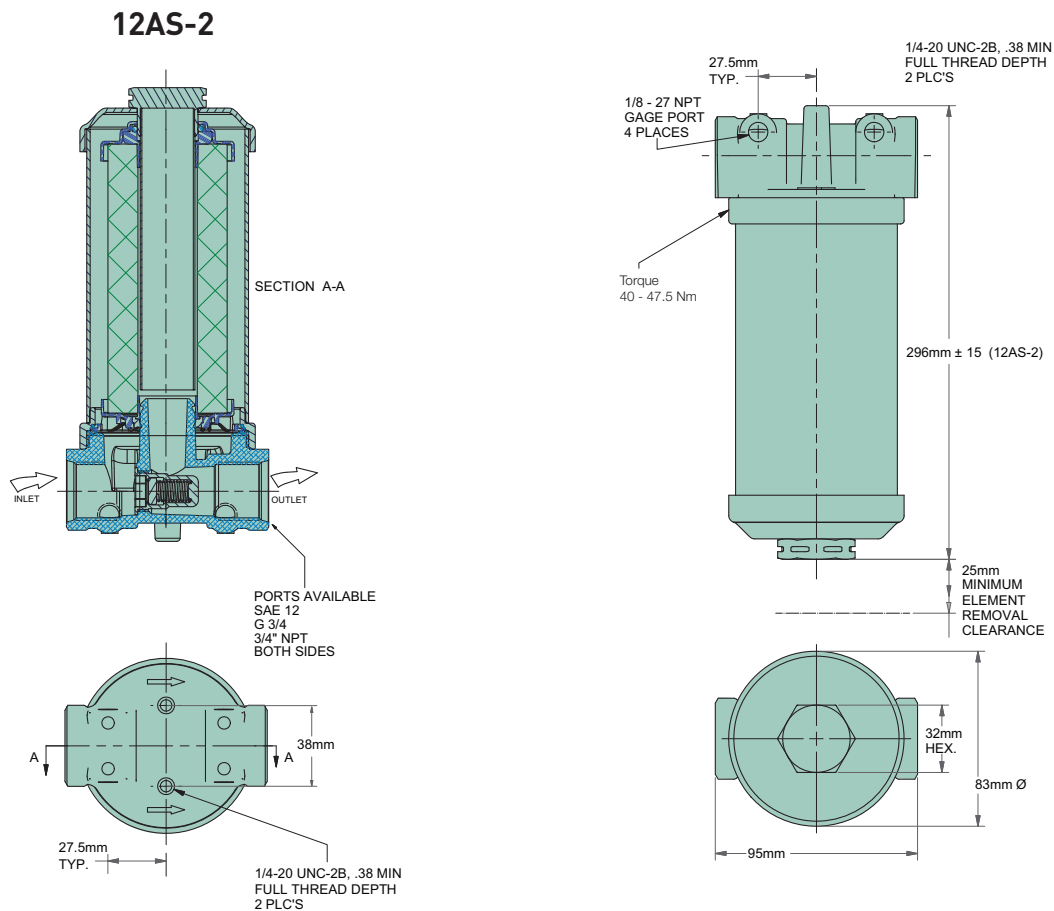
- Gauge: 0-4.15 bar color coded  
(For use in low pressure applications only.)
- Pressure Switch: normally open,  
1.45 ± 2 bar, 5A @ 24 VDC  
(For use in low pressure applications only.)

### Materials:

- Head: die cast aluminium
- Bypass valve: nylon with steel spring
- Filter element: fibreglass and polyester with nylon endcaps
- Bowl: steel
- Permanent core: steel

### Weights (approximate):

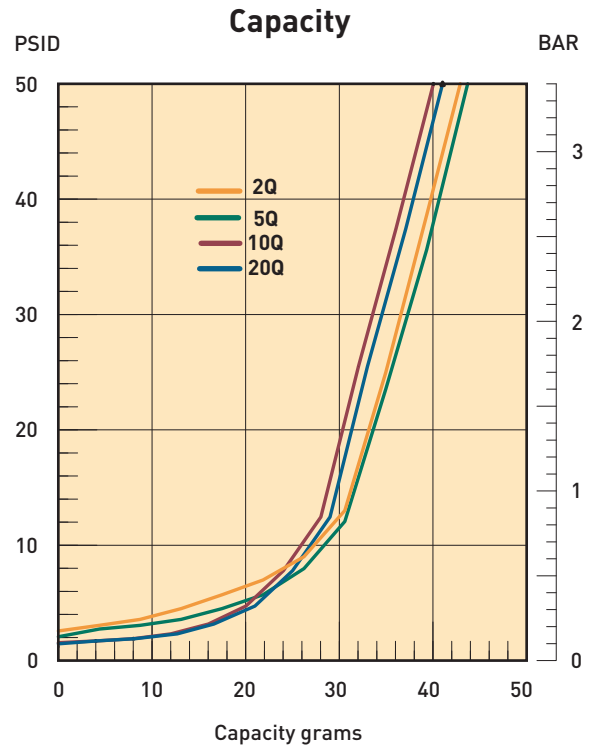
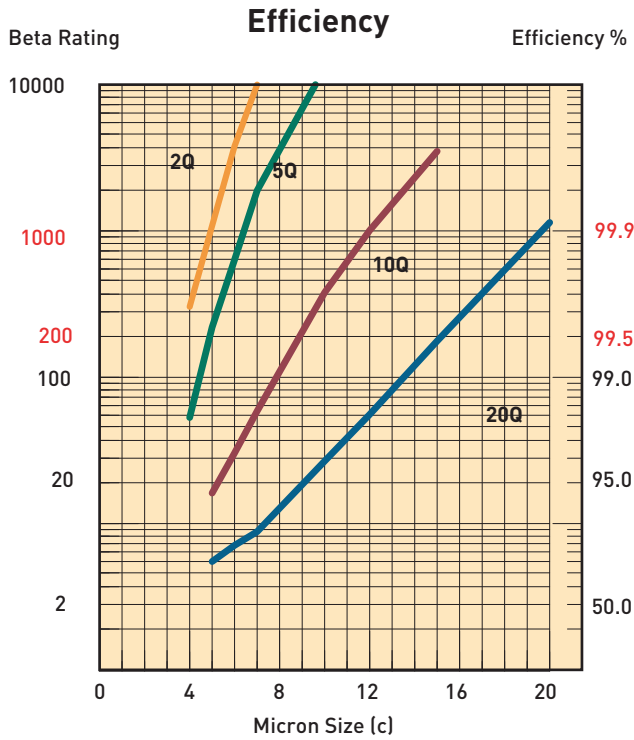
12AS-2..... 1.4 kg (3lbs.)



# Coreless Spin-on Filters

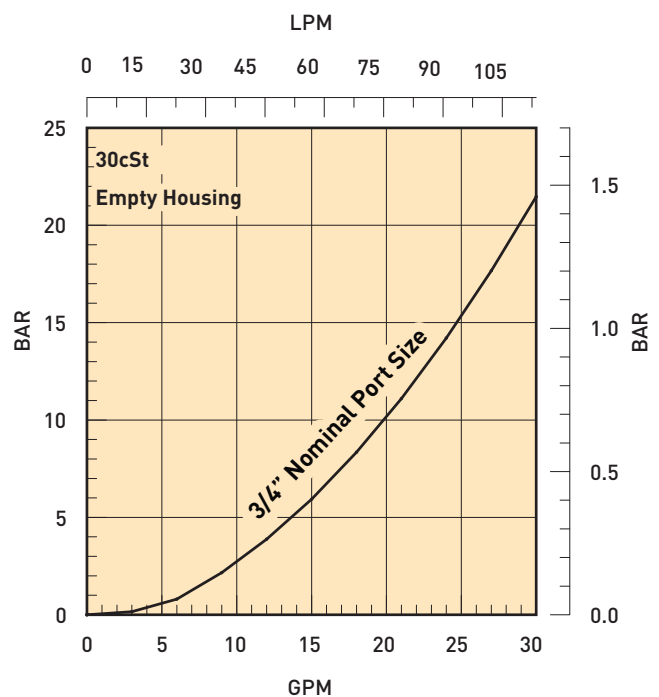
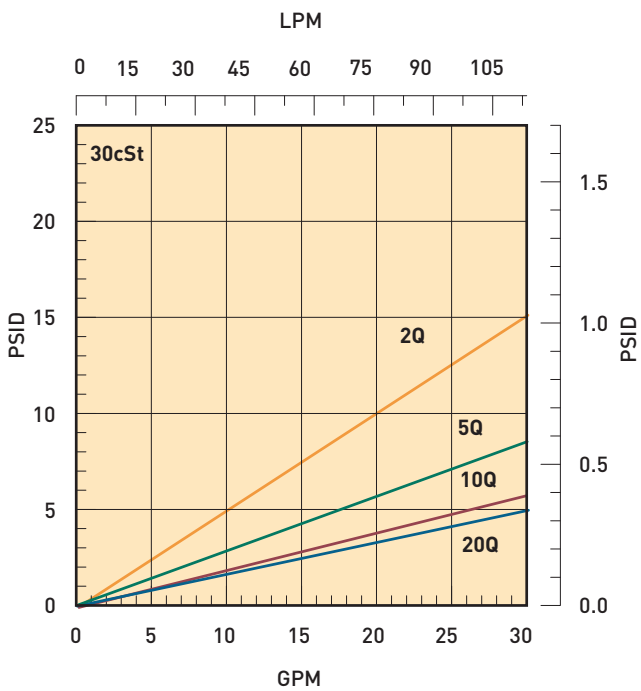
## 12AS Series

### 12AS-2 Performance



Results typical from Multi-pass tests run per test standard ISO 16889 @ 15 gpm to 50 psid terminal - 10 mg/L BUGL  
Refer to Appendix for relationship to test standard ISO 4572.

### Flow vs Pressure Loss



# Coreless Spin-on Filters

## 12AS Series

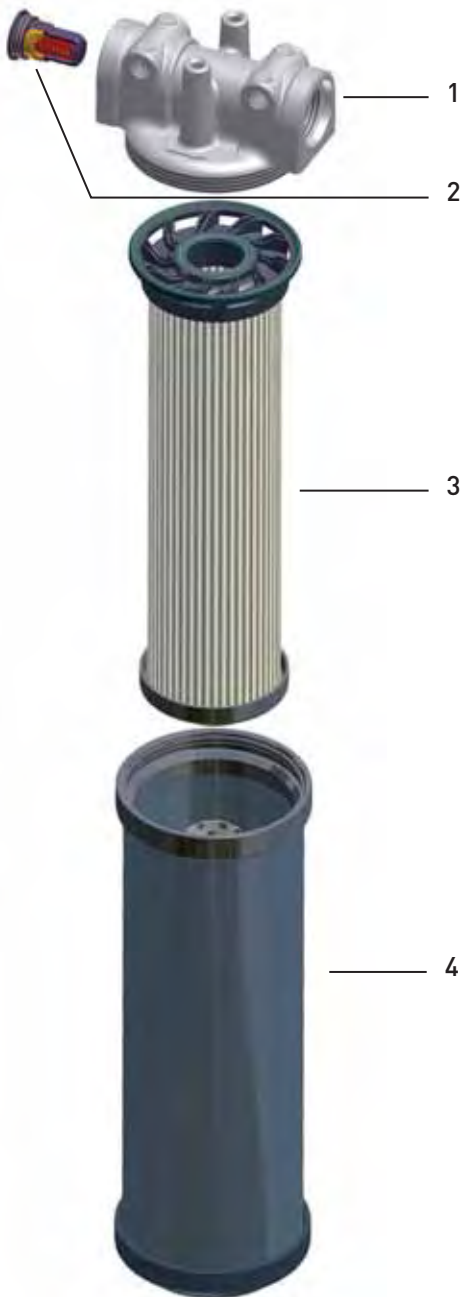
### Service Instructions 12AS

#### Filter Service

Filter element should be replaced as indicated by filter indicator gauge, or at specified service intervals recommended by the OEM.

#### Replacement element procedure

- Shut down system and release pressure in the filter line.
- Loosen bowl and remove rotating counter clockwise.
- Remove dirty element from filter head and discard.
- Lubricate element seals on clean element and install on filter head element locator.
- Install reusable bowl onto element and filter head. Tighten to specified torque.

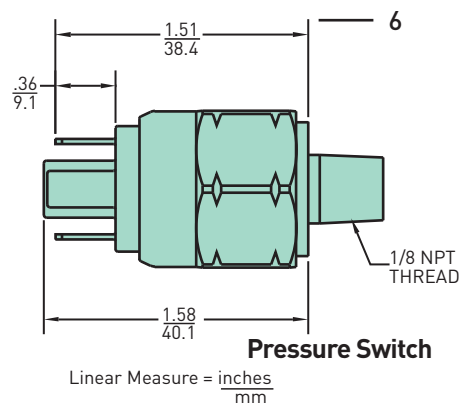


### Parts List

Index		12AS
1	<b>Head</b>	
	SAE-12	937600
	3/4" NPT	937612
	G3/4" BSPP	940898
	SAE-20	N/A
	1 1/4" NPT	N/A
2	<b>Bypass</b>	
	1.72 bar assembly	928979
	3.4 bar assembly	928981
3	<b>Element</b>	
	Single	
	02QE	N/A
	05QE	N/A
	10QE	N/A
	20QE	N/A
	Double	
	02QE	940765Q
	05QE	940764Q
	10QE	940763Q
20QE	940762Q	
4	<b>Bowl</b>	
	Single	N/A
	Double	937599
5	<b>Gauge</b>	
	3.4 bar bypass	936628
	1.72 bar bypass	936912
6	<b>Pressure Switch</b>	
	3.4 bar bypass	934617
	1.72 bar bypass	926923



Indicator Gauge (1.72 bar)



Pressure Switch

Linear Measure =  $\frac{\text{inches}}{\text{mm}}$

# Coreless Spin-on Filters

## 12AS Series

### How To Order

Select the desired symbol (in the correct position) to construct a model code.

Example:

BOX 1	BOX 2	BOX 3	BOX 4	BOX 5	BOX 6	BOX 7	BOX 8
12AS	2	10QE	B	P	G	S12	1

BOX 1: Basic Assembly	
Symbol	Description
12AS	Coreless Spin-On, 75 l/min nominal

BOX 6: Bypass	
Symbol	Description
G	1.7 bar (25 PSID)
K	3.5 bar (50 PSID)

BOX 2: Length	
Symbol	Description
2	Double

BOX 7: Ports	
Symbol	Description
S12	<b>SAE-12 integral threads*</b>
N12	3/4" NPT integral threads
G12	G3/4" BSPP (ISO 220) integral threads

BOX 3: Element Media	
Symbol	Description
02QE	Ecoglass III, 2µm
05QE	Ecoglass III, 5µm
10QE	Ecoglass III, 10µm
20QE	Ecoglass III, 20µm

BOX 4: Seals	
Symbol	Description
B	Nitrile (NBR)
Consult Factory for additional seal options	

\*Porting recommended for best delivery.

Symbol	Description
1	No options

BOX 5: Indicator	
Symbol	Description
P	Gauge Ports (4) Plugged

### Replacement Elements (Ecoglass)

Media	Filter Model - Nitrile seals	
	12AS-2	50AS-1
02QE	940765Q	940616Q
05QE	940764Q	940617Q
10QE	940763Q	940618Q
20QE	940762Q	940619Q

### Accessories

Part Number	Description
936912	Pressure gauge, 2" 0-4.7 bar <b>(1.7 bar bypass)</b>
936628	Pressure gauge, 0-6.9 bar <b>(3.5 bar bypass)</b>
926923	Pressure switch, 1.3 ± 0.1 bar 5A @ 24 VDC <b>(1.7 bar bypass)</b>
934617	Pressure switch, 3 ± 0.2 bar <b>(3.5 bar bypass)</b>

Accessories for use in low pressure application only.

# 15/40/80CN Series

Medium Pressure Filters  
Max. 600 l/min - 70 bar



## Premium performance for medium pressure applications

### An economical 'multi-purpose' filter solution

The CN Series utilizes a cast aluminium head and spin-on bowl and can be specified with Microglass III or Ecoglass III filter media. Maximum pressure 70 bar. Maximum flow 600 l/min. Excellent performance value from a globally proven, reliable medium pressure filter.



## Contact Information:

Parker Hannifin  
**Hydraulic Filter Division Europe**

**European Product Information Centre**  
Freephone: 00800 27 27 5374  
(from AT, BE, CH, CZ, DE, EE, ES, FI, FR, IE, IT, PT, SE, SK, UK)  
filtrationinfo@parker.com

www.parkerhfde.com

## Product Features:

- CN utilizes a cast aluminium head and bowl.
- Excellent fatigue pressure ratings.
- Maximum pressure 70 bar. Maximum flow 600 l/min.
- An economic 'multi-purpose' filter solution.

# 15/40/80CN Series

## Medium Pressure Filters

### Features & Benefits

Features	Advantages	Benefits
56 bar fatigue rating (eight times that of a spin-on)	Ability to provide reliable service under tough cyclic operating conditions	Reduced downtime due to premature filter failures
	Can be utilised in applications where high pressure filters may have been only option	Reduced costs, better "fit" for the application
Diametral (side) seal between head and bowl	Proven reliability in cyclic applications	No downtime, no leaks
	Reduced importance of bowl torque	Performs with "real world" service
Dust seal	Prevents contamination from building up on bowl/head threads	Easier service, eliminates thread galling
40CN-2 meets automotive HF3 standard	Automotive industry acceptance	Satisfies specifications without need for further testing and/or approval
15CN meets automotive HF2 standard		
Cast aluminium head	Low profile, lightweight and durable	Less weight, smaller envelop and cleaner appearance
Reinforced Microglass III replacement elements	Multi-layered design produced high capacity and efficiency	Great performance value
	Wire support reduces pleat bunching, keeps performance consistent	Reliable performance throughout element life
Complete performance data disclosure	All pertinent information is provided in an easy-to-compare format	No hidden deficiencies
		Easy selection of proper filtration
Visual, electrical or electronic indicators available	Check element condition at a glance	Optimise element life, prevent bypassing
	Right style for the application	Matches your system electrical connections
Coreless Ecoglass III replacement elements	No metal content in element	Environmentally friendly disposal by incineration
	Reduced overall weight of 50%	Lower element replacement costs
	Easy compaction of used elements	Lower disposal cost
	Conversion kits available: new bowl with permanent core	Retrofit coreless design to housings already installed

### Typical Applications

- Compressor lube oil
- Off-line filter loops
- Machine tools (Automotive standard)
- Hydrostatic drive charge pumps
- Mobile equipment
- Pilot lines for servo controls
- Oil patch drilling equipment
- Injection moulding

### The Parker Filtration 15/40/80CN Series Medium Pressure Filters.

This partial list of applications for Parker "CN" Series Filters has a common factor, the need for an economical, medium pressure range filter with excellent fatigue pressure ratings. Prior to the availability of the "CN" filter, applications such as those listed were restricted by limitations of a spin-on can, or forced into the higher-cost range of high pressure filters.

The "CN" Series fills this gap and is now available with environmentally friendly Ecoglass III elements.





# Specification

**Pressure ratings:**

Maximum allowable operating pressure: 70 bar  
 Rated fatigue pressure: 56 bar

**Connections:**

Several threaded port options available, flange faced ports available on 80CN.

Connection style	Model	40CN	80CN
BSPF(G)	15CN	1 1/4", 1 1/2"	1 1/2", 2"
SAE	12, 16	16, 24	24, 32
ISO 6149	M27	M33	M42, M48
Metric 3000-M			2"

**Filter housing:**

Head material aluminium.  
 Bowl material hard anodized aluminium.

**Seal material:**

Nitrile or fluoroelastomer.

**Operating temperature range:**

Seal material Nitrile: -40°C to +100°C.  
 Seal material Fluoroelastomer: -20°C to +120°C.

**Bypass valve & indicator settings:**

Table following gives bypass valve and corresponding indicator setting.

Bypass	Indicator
1.7 bar	1.2 bar
3.5 bar	2.5 bar

**Filter element:**

**Degree of filtration:**

Determined by Multipass-test according to ISO 16889.

**Flow fatigue characteristics:**

Filter media is supported so that the optimal fatigue life is achieved (ISO 3724).

**Microglass III (available by request)**

Supported with epoxy coated metal wire mesh, end cap material reinforced composite and metal inner core. Collapse rating 20 bar (ISO 2941).

**Ecoglass III**

Supported with plastic net, end cap material reinforced composite. No metal parts. Collapse rating 10 bar (ISO 2941).  
 Filter element can only be used together with bowl including Eco-adaptor.  
 Note: Ecoglass III contributes to ISO 14001 quality.

**Par-Gel:**

Water removal media absorbent copolymer laminate media with ability to remove free water from mineral based and synthetic fluids available for 40CN and 80CN.

**Indicator options:**

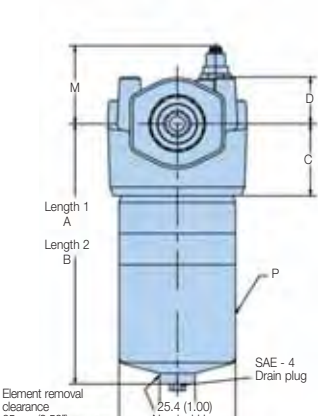
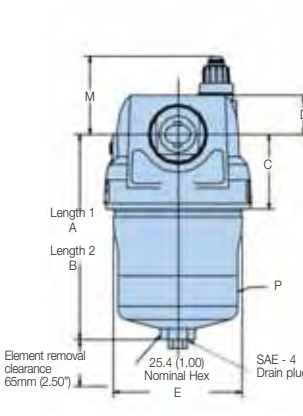
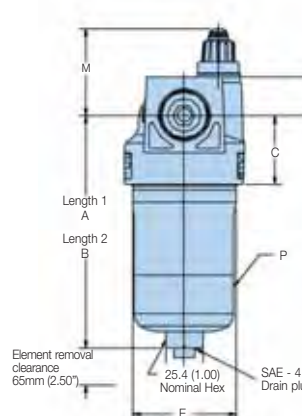
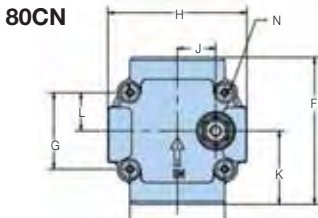
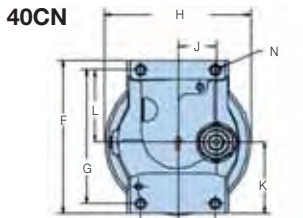
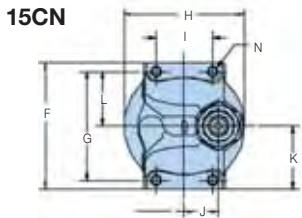
- visual M3.
  - electronic F1 (PNP).
  - electrical T1.
  - electronic F2 (NPN).
- For indicator details see catalogue section 6.

**Weights (kg):**

Model	Length 1	Length 2
15CN	1.1	1.6
40CN	2.0	2.5
80CN	5.6	6.9

**Fluid compatibility:**

Suitable for use with mineral and vegetable oils, and some synthetic oils. For other fluids, please consult Parker Filtration.



Dimensions in mm (inch)															
Model	A	B	C	D	E	F	G	H	I	J	K	L	M*	N	P
15CN	156.6 (6.17)	250.7 (9.87)	46.5 (1.83)	25.4 (1.09)	71.1 (2.80)	85.9 (3.38)	73.2 (2.88)	82.6 (3.25)	38.1 (1.50)	22.9 (0.90)	42.9 (1.69)	36.6 (1.44)	53	4xM6-1.0x7.9 deep	20-27 Nm
40CN	170.8 (6.73)	262.4 (10.33)	62.0 (2.44)	32.6 (1.28)	107.2 (4.22)	127.0 (5.00)	127.0 (4.37)	111.0 (4.80)	121.9 (2.44)	62.0 (1.25)	31.8 (2.32)	58.8 (2.37)	53	4xM8-1.25x13 deep	57-68 Nm
80CN	280.9 (11.06)	401.6 (15.81)	77.7 (3.06)	49.5 (1.95)	124.8 (4.91)	158.7 (6.25)	82.6 (3.25)	151.4 (5.96)	101.6 (4.00)	41.1 (1.62)	79.4 (3.12)	41.3 (1.63)	69	4xM8-1.25x16 deep	80-95 Nm

Note: add 45mm for T and F indicators

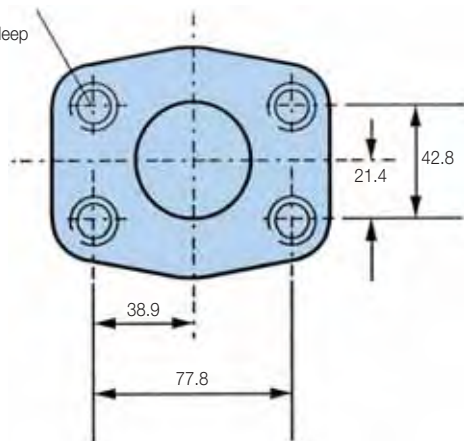


# 15/40/80CN Series

## Medium Pressure Filters

### 80CN Flange Face Details (SAE 2" 3000-M)

Flange face mounting holes  
M12-1.75 x 22 deep



### Pressure Drop Curves

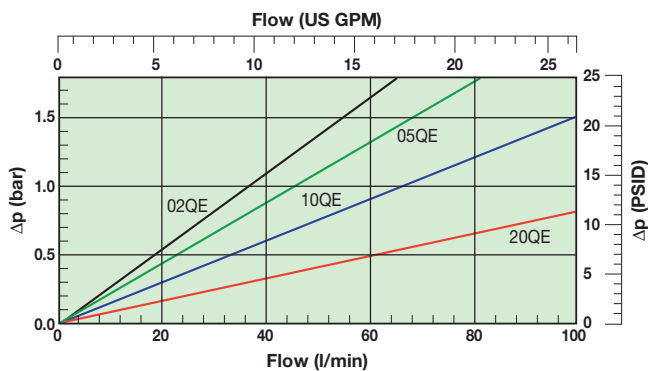
With 1.7 bar bypass the recommended initial pressure drop is max 0.5 bar.

With 3.5 bar bypass the recommended initial pressure drop is max 1.0 bar.

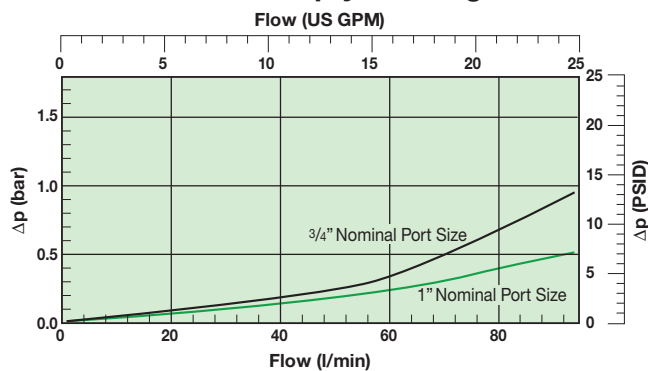
If the medium used has a viscosity different from 30 cSt, pressure drop over the filter can be estimated as follows:

The total  $\Delta p = \text{housing } \Delta p_h + (\text{element } \Delta p_e \times \text{working viscosity}/30)$ .

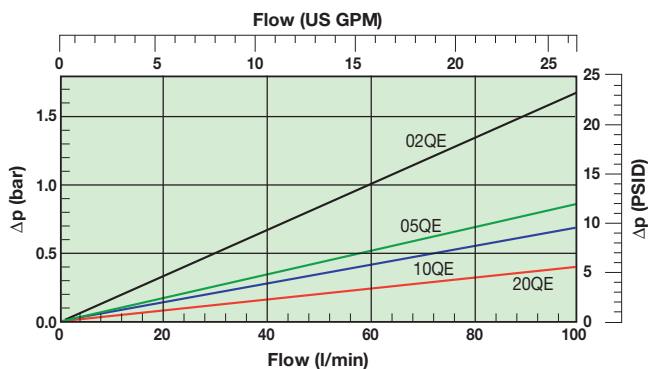
#### 15CN-1 Elements



#### 15CN Empty Housing

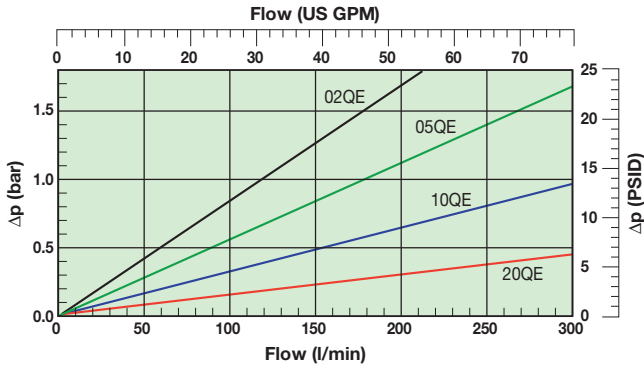


#### 15CN-2 Elements

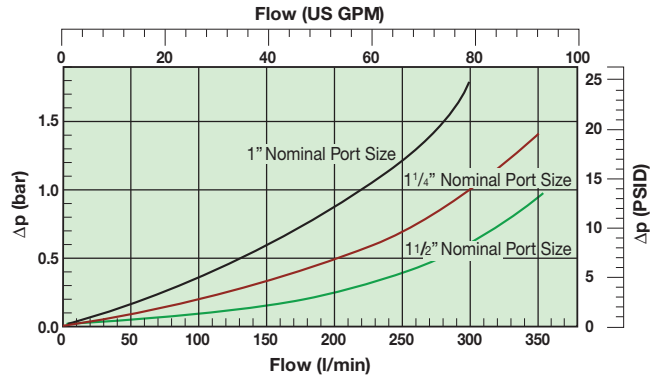


# Pressure Drop Curves

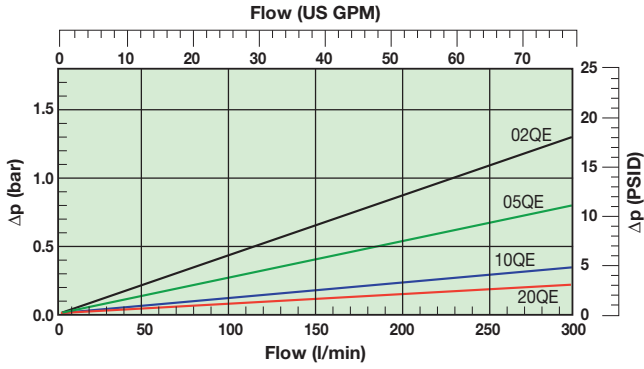
### 40CN-1 Elements



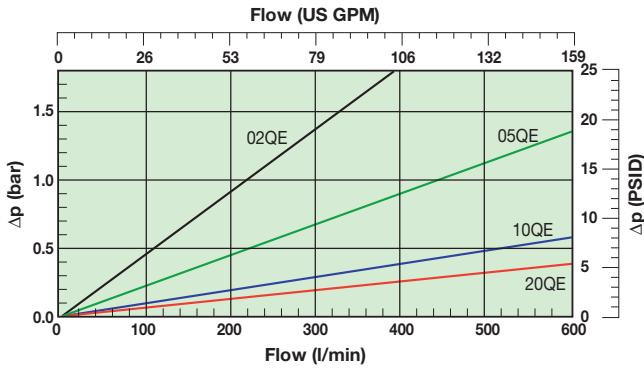
### 40CN Empty Housing



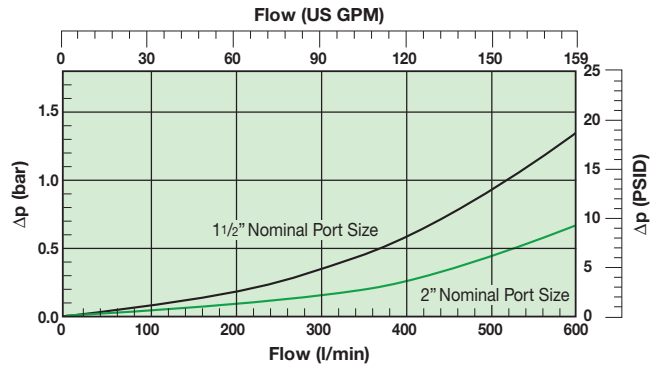
### 40CN-2 Elements



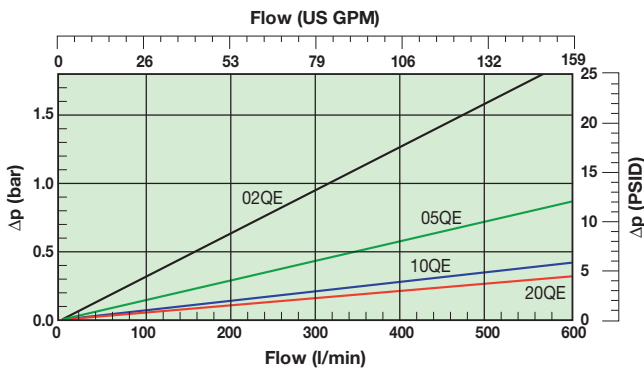
### 80CN-1 Elements



### 80CN Empty Housing



### 80CN-2 Elements



# 15/40/80CN Series

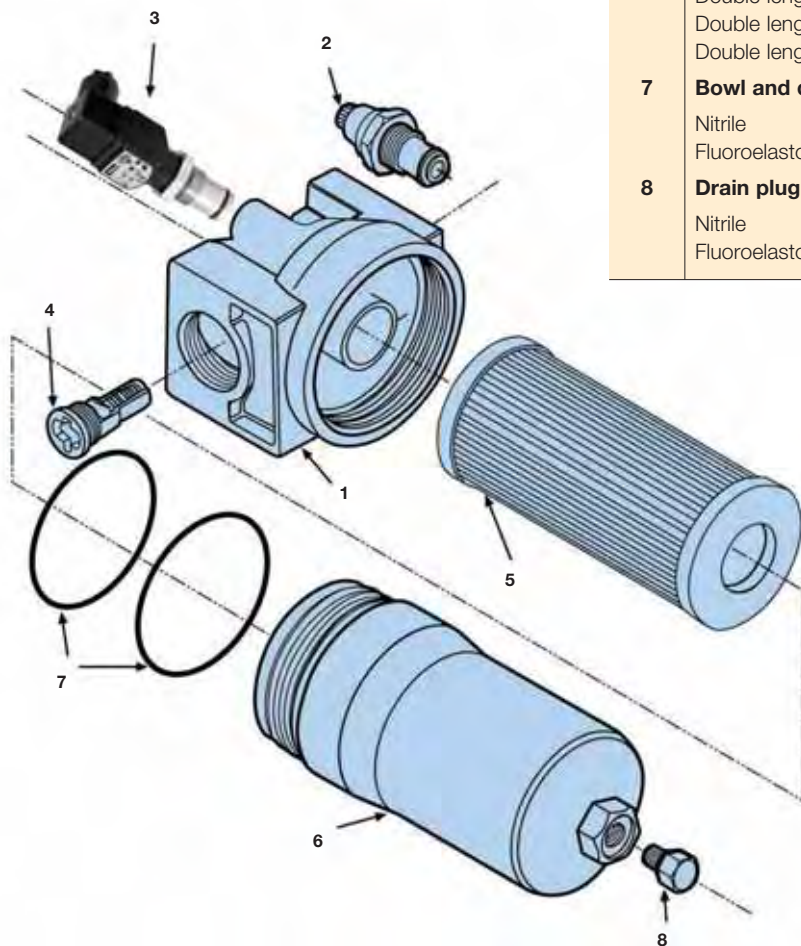
## Medium Pressure Filters

### Element Service

- A. Stop the system's power unit.
- B. Relieve any system pressure in the filter line.
- C. Drain the filter bowl if drain port option is provided.
- D. Loosen and remove bowl.
- E. Remove element by pulling downward with a slight twisting motion and discard.
- F. Check bowl o-ring and anti-extrusion ring for damage and replace if necessary.
- G. Lubricate element o-ring with system fluid and place on post in filter head.
- H. Install bowl by rotating counter clockwise and tighten to specified torque.
  - 15CN – 20-27 Nm (15-20ft. lbs)
  - 40CN – 57-68 Nm (42-50ft. lbs)
  - 80CN – 80-95 Nm (60-70ft. lbs)
- I. Confirm there are no leaks after powering the system.

### CN Filters Parts List

Index	Description
<b>1</b>	<b>Head</b>
<b>2</b>	<b>Indicators</b> M3-visual auto reset: 1.2 bar M3-visual auto reset: 2.5 bar
<b>3</b>	T1-electrical: 1.2 bar c/w DIN 43650 connector T1-electrical: 2.5 bar c/w DIN 43650 connector F1-electronic PNP with 4 LEDs: 1.2 bar F1-electronic PNP with 4 LEDs: 2.5 bar F2-electronic NPN with 4 LEDs: 1.2 bar F2-electronic NPN with 4 LEDs: 2.5 bar
<b>4</b>	<b>Bypass valve</b> 1.7 bar assembly 3.5 bar assembly
<b>5</b>	<b>Element (see replacement element part numbers)</b>
<b>6</b>	<b>Bowl</b> Single length with drain Single length with reusable core and drain Single length without drain Double length with drain Double length with reusable core and drain Double length without drain
<b>7</b>	<b>Bowl and dust seal</b> Nitrile Fluoroelastomer
<b>8</b>	<b>Drain plug: SAE-4</b> Nitrile Fluoroelastomer



## Ordering Information

Standard products table

Part numbers	Supersedes	Flow (l/min)	Model number	Element length	Media rating (µ)	Seals	Indicator	Bypass settings	Ports	Replacement elements
15CN110QEVT1KG164	F315CN1R10QETW350C2C219	50	15CN	Length 1	10	Fluoroelastomer	Electrical	3.5 bar	G1"	936700Q
15CN110QEV3M3KG164	F315CN1R10QEM250C2C219	50	15CN	Length 1	10	Fluoroelastomer	Visual	3.5 bar	G1"	936700Q
15CN120QEVT1KG164	F315CN1R20QETW350C2C219	80	15CN	Length 1	20	Fluoroelastomer	Electrical	3.5 bar	G1"	936701Q
15CN120QEV3M3KG164	F315CN1R20QEM250C2C219	80	15CN	Length 1	20	Fluoroelastomer	Visual	3.5 bar	G1"	936701Q
15CN210QEVT1KG164	F315CN2R10QETW350C2C219	80	15CN	Length 2	10	Fluoroelastomer	Electrical	3.5 bar	G1"	936704Q
15CN210QEV3M3KG164	F315CN2R10QEM250C2C219	80	15CN	Length 2	10	Fluoroelastomer	Visual	3.5 bar	G1"	936704Q
15CN220QEVT1KG164	F315CN2R20QETW350C2C219	100	15CN	Length 2	20	Fluoroelastomer	Electrical	3.5 bar	G1"	936705Q
15CN220QEV3M3KG164	F315CN2R20QEM250C2C219	100	15CN	Length 2	20	Fluoroelastomer	Visual	3.5 bar	G1"	936705Q
40CN105QEVT1KG244	F340CN1R05QETW350E2E219	120	40CN	Length 1	5	Fluoroelastomer	Electrical	3.5 bar	G1½"	936707Q
40CN105QEV3M3KG244	F340CN1R05QEM250E2E219	120	40CN	Length 1	5	Fluoroelastomer	Visual	3.5 bar	G1½"	936707Q
40CN110QEVT1KG244	F340CN1R10QETW350E2E219	180	40CN	Length 1	10	Fluoroelastomer	Electrical	3.5 bar	G1½"	936708Q
40CN110QEV3M3KG244	F340CN1R10QEM250E2E219	180	40CN	Length 1	10	Fluoroelastomer	Visual	3.5 bar	G1½"	936708Q
40CN120QEVT1KG244	F340CN1R20QETW350E2E219	260	40CN	Length 1	20	Fluoroelastomer	Electrical	3.5 bar	G1½"	936709Q
40CN120QEV3M3KG244	F340CN1R20QEM250E2E219	260	40CN	Length 1	20	Fluoroelastomer	Visual	3.5 bar	G1½"	936709Q
40CN205QEVT1KG244	F340CN2R05QETW350E2E219	200	40CN	Length 2	5	Fluoroelastomer	Electrical	3.5 bar	G1½"	936711Q
40CN205QEV3M3KG244	F340CN2R05QEM250E2E219	200	40CN	Length 2	5	Fluoroelastomer	Visual	3.5 bar	G1½"	936711Q
40CN210QEVT1KG244	F340CN2R10QETW350E2E219	280	40CN	Length 2	10	Fluoroelastomer	Electrical	3.5 bar	G1½"	936601Q
40CN210QEV3M3KG244	F340CN2R10QEM250E2E219	280	40CN	Length 2	10	Fluoroelastomer	Visual	3.5 bar	G1½"	936601Q
40CN220QEVT1KG244	F340CN2R20QETW350E2E219	320	40CN	Length 2	20	Fluoroelastomer	Electrical	3.5 bar	G1½"	936712Q
40CN220QEV3M3KG244	F340CN2R20QEM250E2E219	320	40CN	Length 2	20	Fluoroelastomer	Visual	3.5 bar	G1½"	936712Q
80CN110QEVT1KG324	F380CN1R10QETW350F2F219	370	80CN	Length 1	10	Fluoroelastomer	Electrical	3.5 bar	G2"	936602Q
80CN110QEV3M3KG324	F380CN1R10QEM250F2F219	370	80CN	Length 1	10	Fluoroelastomer	Visual	3.5 bar	G2"	936602Q
80CN120QEVT1KG324	F380CN1R20QETW350F2F219	420	80CN	Length 1	20	Fluoroelastomer	Electrical	3.5 bar	G2"	936715Q
80CN120QEV3M3KG324	F380CN1R20QEM250F2F219	420	80CN	Length 1	20	Fluoroelastomer	Visual	3.5 bar	G2"	936715Q
80CN210QEVT1KG324	F380CN2R10QETW350F2F219	530	80CN	Length 2	10	Fluoroelastomer	Electrical	3.5 bar	G2"	936718Q
80CN210QEV3M3KG324	F380CN2R10QEM250F2F219	530	80CN	Length 2	10	Fluoroelastomer	Visual	3.5 bar	G2"	936718Q
80CN220QEVT1KG324	F380CN2R20QETW350F2F219	600	80CN	Length 2	20	Fluoroelastomer	Electrical	3.5 bar	G2"	936719Q
80CN220QEV3M3KG324	F380CN2R20QEM250F2F219	600	80CN	Length 2	20	Fluoroelastomer	Visual	3.5 bar	G2"	936719Q

Note: Filter assemblies ordered from the product configurator on next page are on extended lead times. Where possible, please make your selection from the table above.

CN Series Seal Kits	
Part Number	Description
S04449	NITRILE SEAL KIT 15CN
S04450	FLUOROELASTOMER SEAL KIT 15CN
S04447	NITRILE SEAL KIT 40CN
S04448	FLUOROELASTOMER SEAL KIT 40CN
S04458	NITRILE SEAL KIT 80CN
S04459	FLUOROELASTOMER SEAL KIT 80CN

# 15/40/80CN Series

## Medium Pressure Filters

### Ordering Information (cont.)

#### Product Configurator

Box 1	Box 2	Box 3	Box 4	Box 5	Box 6	Box 7	Box 8
<b>40CN</b>	<b>2</b>	<b>10QE</b>	<b>V</b>	<b>M3</b>	<b>K</b>	<b>G24</b>	<b>4</b>

Code	
<b>Model</b>	<b>Code</b>
Small size MP filter, T-port	<b>15CN</b>
Medium size MP filter, T-port	<b>40CN</b>
Large size MP filter, T-port	<b>80CN</b>

Filter type	
<b>Length</b>	<b>Code</b>
Length 1	<b>1</b>
Length 2	<b>2</b>

#### Highlights Key (Denotes part number availability)

<b>123</b>	Item is standard
<b>123</b>	Item is standard green option
<b>123</b>	Item is semi standard
123	Item is non standard

Note: Standard items are in stock, semi standard items are available within four weeks

Degree of filtration				
Element media	Glass fibre			Water Removal
	Media code			
Ecoglass III element	<b>02QE</b>	<b>05QE</b>	<b>10QE</b>	<b>20QE</b>
				<b>WR</b>

Note: When using Ecoglass III elements a bowl with reusable Eco-adaptor is required.  
Filter assemblies with Microglass III elements are available by request.  
WR: Water removal media.

Seal type	
<b>Seal material</b>	<b>Code</b>
Fluoroelastomer	<b>V</b>
Nitrile	B

Indicator	
	<b>Code</b>
No indicator port	<b>N</b>
Visual indicator	<b>M3</b>
Electrical indicator	<b>T1</b>
Plugged with steel plug	P
Electronic 4 LED, PNP, N.O.	F1
Electronic 4 LED, NPN, N.O.	F2
Electronic 4 LED, PNP, N.C.	F3
Electronic 4 LED, NPN, N.C.	F4

Bypass valve		
<b>Bypass valve</b>	<b>Indicator</b>	<b>Code</b>
1.7 bar	1.2 bar	G
3.5 bar	2.5 bar	<b>K</b>

When filter includes a bypass valve but not an indicator, code denotes bypass setting.

Filter connection	
<b>Ports</b>	<b>Code</b>
15CN: Thread G <sup>3</sup> / <sub>4</sub>	G12
Thread G1	<b>G16</b>
Thread SAE 12	S12
Thread SAE 16	S16
Thread M27, ISO6149	M27
40CN: Thread G1 <sup>1</sup> / <sub>4</sub>	G20
Thread G1 <sup>1</sup> / <sub>2</sub>	<b>G24</b>
Thread SAE 16	S16
Thread SAE 24	S24
Thread M33, ISO6149	M33
80CN: Thread G1 <sup>1</sup> / <sub>2</sub>	G24
Thread G2	<b>G32</b>
Thread SAE 24	S24
Thread SAE 32	S32
Thread M42, ISO6149	M42
Thread M48, ISO6149	M48
SAE flange 2" 3000-M	<b>R32</b>

Options	
<b>Options</b>	<b>Code</b>
Standard drain port on bowl	<b>4</b>

Ecoglass III elements (Fluoroelastomer seals)				
<b>Model</b>	<b>02QE</b>	<b>05QE</b>	<b>10QE</b>	<b>20QE</b>
15CN-1	<b>936698Q</b>	<b>936699Q</b>	<b>936700Q</b>	<b>936701Q</b>
15CN-2	<b>936702Q</b>	<b>936703Q</b>	<b>936704Q</b>	<b>936705Q</b>
40CN-1	<b>936706Q</b>	<b>936707Q</b>	<b>936708Q</b>	<b>936709Q</b>
40CN-2	<b>936710Q</b>	<b>936711Q</b>	<b>936601Q</b>	<b>936712Q</b>
80CN-1	<b>936713Q</b>	<b>936714Q</b>	<b>936602Q</b>	<b>936715Q</b>
80CN-2	<b>936716Q</b>	<b>936717Q</b>	<b>936718Q</b>	<b>936719Q</b>

Seal kits		
<b>Model</b>	<b>Nitrile</b>	<b>Fluoroelastomer*</b>
15CN	S04449	S04450
40CN	S04447	S04448
80CN	S04458	S04459

#### Replacement element part numbers for conventional assemblies

Conversion bowl assembly <small>(to retrofit existing CN filter housings to use coreless elements)</small>	
936758	15CN-1 coreless element bowl assembly
936759	15CN-2 coreless element bowl assembly
936760	40CN-1 coreless element bowl assembly
936761	40CN-2 coreless element bowl assembly
936763	80CN-1 coreless element bowl assembly
936764	80CN-2 coreless element bowl assembly

Elements with nitrile seals				
<b>Model</b>	<b>02Q</b>	<b>05Q</b>	<b>10Q</b>	<b>20Q</b>
15CN-1	928935Q	G04041Q	928934Q	930367Q
15CN-2	928953Q	G04169Q	928952Q	930368Q
40CN-1	926696Q	G04048Q	926835Q	930099Q
40CN-2	926697Q	G04167Q	926837Q	930118Q
80CN-1	932656Q	932657Q	932658Q	929899Q
80CN-2	932662Q	932663Q	932664Q	929923Q

Elements with Fluoroelastomer seals					
<b>Model</b>	<b>02Q</b>	<b>05Q</b>	<b>10Q</b>	<b>20Q</b>	<b>WR</b>
15CN-1	932610Q	G04189Q	932612Q	930369Q	-
15CN-2	932616Q	G04190Q	932618Q	930370Q	-
40CN-1	926716Q	G04191Q	926836Q	930100Q	931412
40CN-2	926717Q	G04192Q	926838Q	930119Q	931414
80CN-1	932659Q	932660Q	832661Q	929903Q	931416
80CN-2	932665Q	932666Q	932667Q	929927Q	931418

Degree of filtration						Code
Average filtration beta ratio $\beta$ (ISO 16889) / particle size $\mu\text{m}$ [c]						
$\beta_x(c)=2$	$\beta_x(c)=10$	$\beta_x(c)=75$	$\beta_x(c)=100$	$\beta_x(c)=200$	$\beta_x(c)=1000$	Metal free Ecoglass III
% efficiency, based on the above beta ratio ( $\beta_x$ )						
<b>50.0%</b>	<b>90.0%</b>	<b>98.7%</b>	<b>99.0%</b>	<b>99.5%</b>	<b>99.9%</b>	<b>02QE</b>
N/A	N/A	N/A	N/A	N/A	4.5	<b>05QE</b>
N/A	N/A	4.5	5	6	7	<b>10QE</b>
N/A	6	8.5	9	10	12	<b>20QE</b>
6	11	17	18	20	22	

Nominal flow (l/min) for filter assembly at viscosity 30cSt					
<b>Housing, port size</b>	<b>02QE</b>	<b>05QE</b>	<b>10QE</b>	<b>20QE</b>	
15CN-1, G1	10	30	50	80	
15CN-2, G1	30	70	80	100	
40CN-1, G1 <sup>1</sup> / <sub>2</sub>	60	120	180	260	
40CN-2, G1 <sup>1</sup> / <sub>2</sub>	80	200	280	320	
80CN-1, G2	150	300	370	420	
80CN-2, G2	180	420	530	600	

\* Fluoroelastomers are available under various registered trademarks, including Viton (a registered trademark of DuPont) and Fluorel (a registered trademark of 3M)

Please note the bolded options reflect standard options with a reduced lead-time of (4) weeks or less. Consult Parker Filtration on all other lead-time options.



# 45M/45 Eco Series

Medium Pressure Filters

Max 260 l/min - 40 bar



**Ideal for harsh and demanding environments**

**Approved for engine rooms and mines**

The 45M Series utilizes a cast iron head and steel bowl design and can be specified with Microglass III or Ecoglass III filter media. Maximum pressure 40 bar. Maximum flow 260 l/min. Lower element replacement costs and lower disposal costs



## Contact Information:

Parker Hannifin  
**Hydraulic Filter Division Europe**

**European Product Information Centre**  
Freephone: 00800 27 27 5374  
(from AT, BE, CH, CZ, DE, EE, ES, FI, FR, IE, IT, PT, SE, SK, UK)  
filtrationinfo@parker.com

www.parkerhfde.com

## Product Features:

- 45M utilizes a cast iron head and steel bowl.
- Solves the problem of protecting system components at lower pressures.
- Maximum pressure 40 bar. Maximum flow 260 l/min.
- An ideal filter series for harsh environments.

# 45M/45 Eco Series

## Medium Pressure Filters

### Features & Benefits

Features	Advantages	Benefits
Cast iron head, steel bowl	Can be used in applications where aluminium is not allowed	Approved for engine rooms and mines
	Rugged construction	Reliable filtration in all conditions
Reinforced Microglass III replacement elements	Multi-layered design produced high capacity and efficiency	Great performance value
	Wire support reduces pleat bunching, keeps performance consistent	Reliable performance throughout element life Reduces downtime, maximises element life
Visual, electrical or electronic indicators available	Check element condition at glance	Optimise element life, prevent bypassing
	Right style for the application	Matches your system electrical connections
Test points in the filter head	Pressure measurement and $\Delta p$ possible	Quick testing and maintenance
Coreless Ecoglass III replacement elements	No metal content in element	Environmentally friendly disposal by incineration
	Reduced overall weight of 50%	Lower element replacement costs
	Easy compaction of used elements	Lower disposal costs
	Eco adaptors available	Retrofit coreless design to housings already installed

### Typical Applications

- Industrial power units
- Mobile construction equipment
- Forestry equipment

### The Parker Filtration 45M/45 Eco Series Medium Pressure Filters.

The 45M/45 Eco Series of medium pressure filters offer an ideal solution to the problem of protecting system components at lower pressures.

The robust filter housing of the 45M allows the product to be applied in harsh environments. Filter bowl is designed for rapid element replacement. ECO Series elements reduces the waste over 50% due to the reusable element core.





## Specification

### Pressure ratings:

Maximum allowable operating pressure 40 bar.  
Filter housing pressure pulse fatigue tested: 10<sup>6</sup> pulses 0-40 bar.

### Connections:

Threads G1, G1<sup>1</sup>/<sub>4</sub> (ISO 228/1) or flange SAE 1<sup>1</sup>/<sub>2</sub>" 3000-M.

### Filter housing:

Head material cast iron (GSI).  
Bowl material steel.

### Seal material:

Nitrile or Fluoroelastomer.

### Operating temperature range:

Seal material Nitrile: -40° to +100°C.  
Seal material Fluoroelastomer: -20° to +120°C.

### Bypass valve:

Opening pressure 3.5 bar.

### Filter element:

#### Degree of filtration:

Determined by Multipass-test according to ISO 16889.

#### Flow fatigue characteristics:

Filter media is supported so that the optimal fatigue life is achieved (ISO 3724).

### Microglass III:

Supported with epoxy coated metal wire mesh, end cap material reinforced composite and metal inner core.  
Collapse rating 20 bar (ISO 2941).

### Ecoglass III:

Supported with plastic net, end cap material reinforced composite. No metal parts. Collapse rating 10 bar (ISO 2941).  
Filter element can only be used together with reusable FEA Eco-adapter.  
Note: Ecoglass III contributes to ISO 14001 quality.

### Indicator options:

Indicating differential pressure: 2.5 ± 0.3 bar.

- visual M3.
- electrical T1.
- electronic F1(PNP).
- electronic F2(NPN).

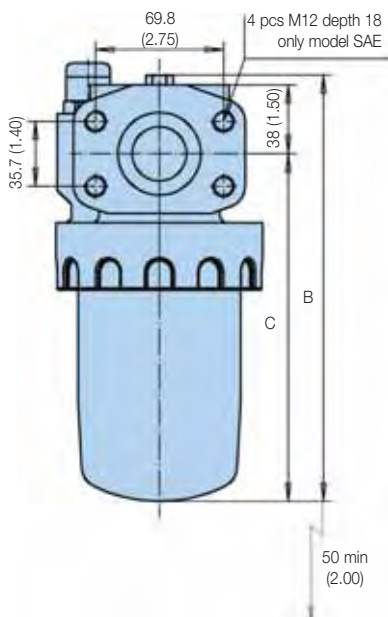
For indicator details see catalogue section 6.

### Fluid compatibility:

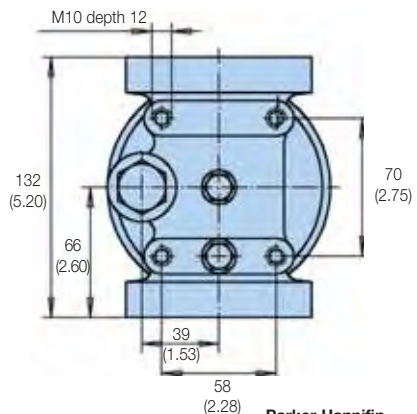
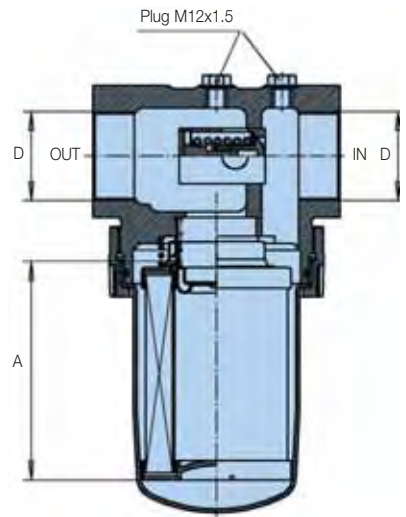
Suitable for use with mineral and vegetable oils, and some synthetic oils. For other fluids, please consult Parker Filtration.

## Installation Details

Type	A	B	C	Weight (kg)	D
Length 1	116 (4.57)	237 (9.33)	192 (7.56)	5.9	G1, G1 <sup>1</sup> / <sub>4</sub> , G1 <sup>1</sup> / <sub>2</sub> , Flange SAE 1 <sup>1</sup> / <sub>2</sub> " 3000-M
Length 2	208 (8.20)	330 (13.00)	285 (11.22)	6.2	
Length 3	329 (13.00)	450 (17.72)	405 (15.94)	6.6	
Length 4	428 (16.85)	550 (21.65)	505 (19.90)	7.0	



mm  
(inches)



**Parker Hannifin**  
Hydraulic Filter Division Europe  
FDHB500UK.



# 45M/45 Eco Series

## Medium Pressure Filters

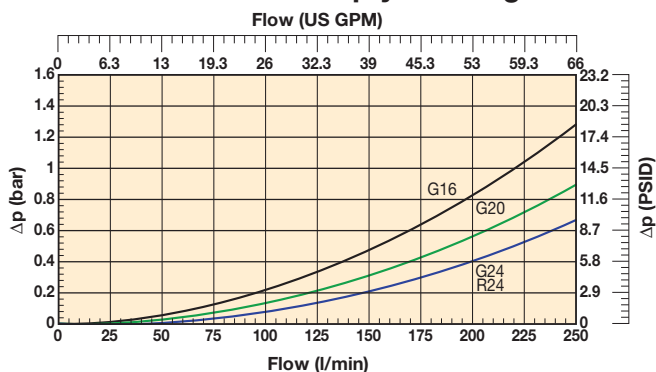
### Pressure Drop Curves

The recommended level of the initial pressure drop is max 1.0 bar.

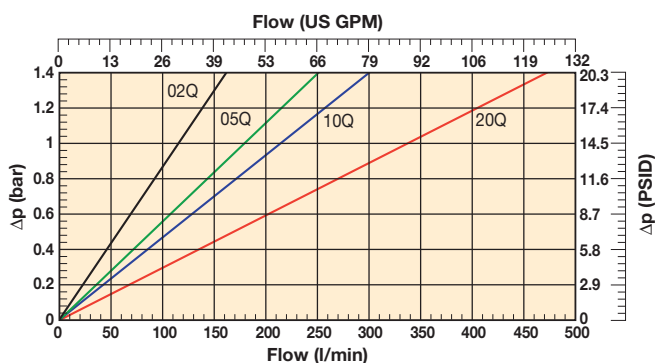
If the medium used has a viscosity different from 30 cSt, pressure drop over the filter can be estimated as follows:

The total  $\Delta p$  = housing  $\Delta p_h$  + (element  $\Delta p_e \times \text{working viscosity}/30$ ).

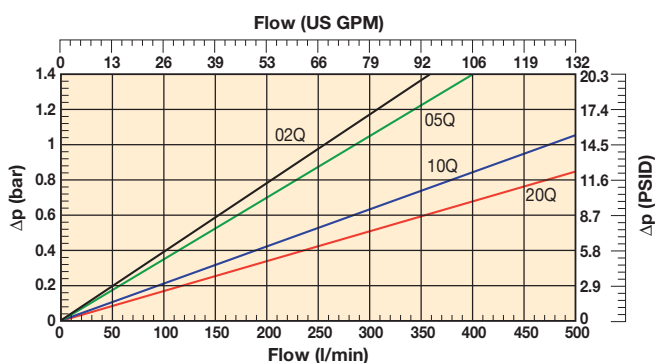
#### 45M Series Empty Housing



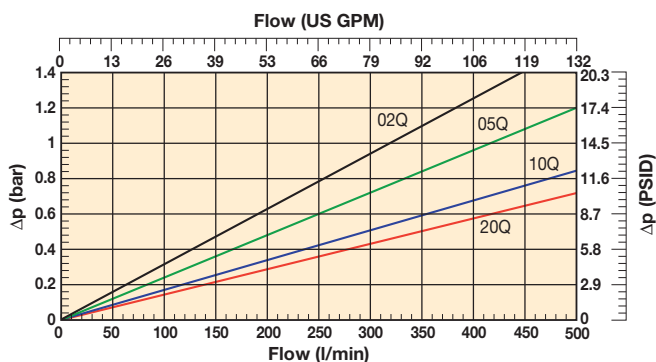
#### 45M-1 Element with Microglass III



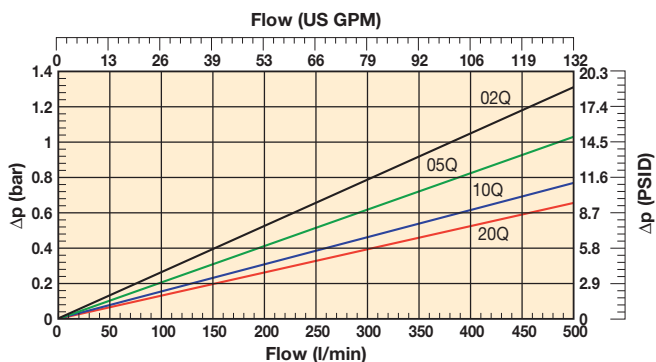
#### 45M-2 Element with Microglass III



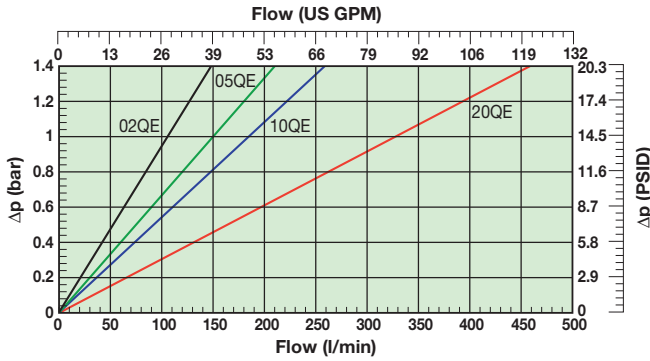
#### 45M-3 Element with Microglass III



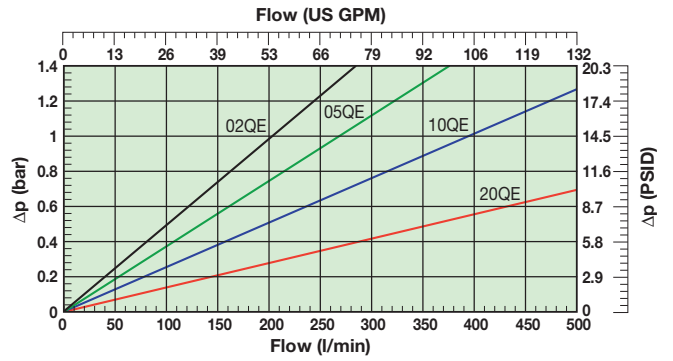
#### 45M-4 Element with Microglass III



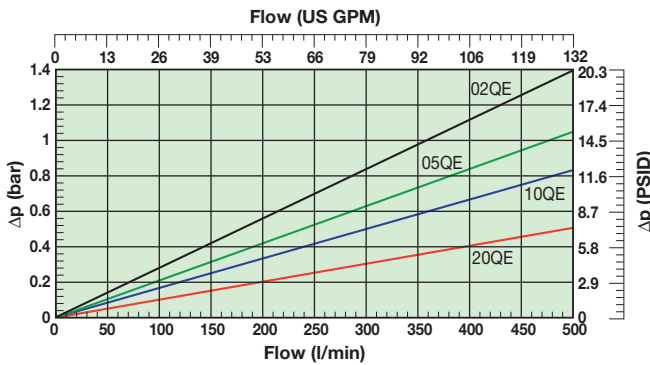
### 45M-1 Element with Ecoglass III



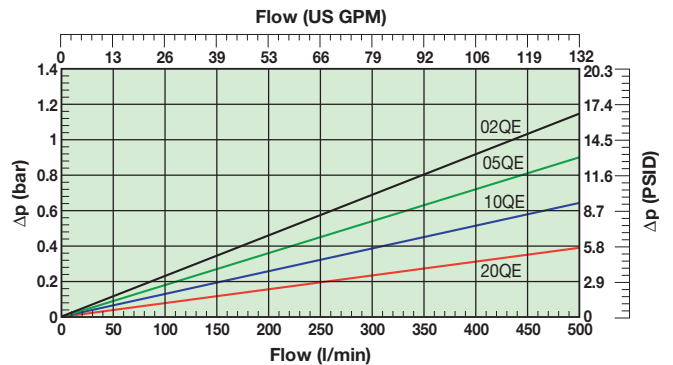
### 45M-2 Element with Ecoglass III



### 45M-3 Element with Ecoglass III



### 45M-4 Elements with Ecoglass III



## Ordering Information

### Standard products table

Product numbers	Supersedes	Flow (l/min)	Model number	Element length	Media rating (μ)	Seals	Indicator	Bypass settings	Ports	Replacement elements	Supersedes
<b>45M110QBPKG161</b>	FF1145.Q010.BS35.GT16	140	45M	Length 1	10	Nitrile	Plugged	3.5 bar	G1"	<b>938962Q</b>	FC7005.Q010.BK
<b>45M120QBPKG161</b>	FF1145.Q020.BS35.GT16	160	45M	Length 1	20	Nitrile	Plugged	3.5 bar	G1"	<b>938963Q</b>	FC7005.Q020.BK
<b>45M110QEBPKG161</b>	FF1145.QE10.BS35.GT16	140	45M	Length 1	10	Nitrile	Plugged	3.5 bar	G1"	<b>938978Q</b>	FC7005.QE10.BK
<b>45M120QEBPKG161</b>	FF1145.QE20.BS35.GT16	160	45M	Length 1	20	Nitrile	Plugged	3.5 bar	G1"	<b>938979Q</b>	FC7005.QE20.BK
<b>45M210QBPKG201</b>	FF1146.Q010.BS35.GT20	200	45M	Length 2	10	Nitrile	Plugged	3.5 bar	G1½"	<b>938966Q</b>	FC7006.Q010.BK
<b>45M220QBPKG201</b>	FF1146.Q020.BS35.GT20	220	45M	Length 2	20	Nitrile	Plugged	3.5 bar	G1½"	<b>938967Q</b>	FC7006.Q020.BK
<b>45M210QEBPKG201</b>	FF1146.QE10.BS35.GT20	200	45M	Length 2	10	Nitrile	Plugged	3.5 bar	G1½"	<b>938982Q</b>	FC7006.QE10.BK
<b>45M220QEBPKG201</b>	FF1146.QE20.BS35.GT20	220	45M	Length 2	20	Nitrile	Plugged	3.5 bar	G1½"	<b>938983Q</b>	FC7006.QE20.BK
<b>45M310QBPKG241</b>	FF1147.Q010.BS35.GT24	230	45M	Length 3	10	Nitrile	Plugged	3.5 bar	G1½"	<b>938970Q</b>	FC7007.Q010.BK
<b>45M320QBPKG241</b>	FF1147.Q020.BS35.GT24	250	45M	Length 3	20	Nitrile	Plugged	3.5 bar	G1½"	<b>938971Q</b>	FC7007.Q020.BK
<b>45M310QEBPKG241</b>	FF1147.QE10.BS35.GT24	230	45M	Length 3	10	Nitrile	Plugged	3.5 bar	G1½"	<b>938986Q</b>	FC7007.QE10.BK
<b>45M320QEBPKG241</b>	FF1147.QE20.BS35.GT24	250	45M	Length 3	20	Nitrile	Plugged	3.5 bar	G1½"	<b>938987Q</b>	FC7007.QE20.BK

Note: Filter assemblies ordered from the product configurator below are on extended lead times. Where possible, please make your selection from the table above.

Note 1: Part numbers featured with bold highlighted codes will ensure a 'standard' product selection.

### 45M Series Seal Kits

Part Number	Description
<b>918045049</b>	NITRILE SEAL KIT 45M
<b>918045050</b>	NITRILE SEAL KIT 45M Eco
<b>918045054</b>	FLUOROELASTOMER SEAL KIT 45M
<b>918045055</b>	FLUOROELASTOMER SEAL KIT 45M Eco



# 45M/45 Eco Series

## Medium Pressure Filters

### Ordering Information (cont.)

#### Product configurator

Box 1	Box 2	Box 3	Box 4	Box 5	Box 6	Box 7	Box 8
<b>45M</b>	<b>2</b>	<b>10Q</b>	<b>B</b>	<b>M3</b>	<b>K</b>	<b>G20</b>	<b>1</b>

#### Box 1

Code	
<b>Model</b>	<b>Code</b>
Medium pressure filter, T-port	<b>45M</b>

#### Highlights Key (Denotes part number availability)

<b>123</b>	Item is standard
<b>123</b>	Item is standard green option
<b>123</b>	Item is semi standard
<b>123</b>	Item is non standard

Note: Standard items are in stock, semi standard items are available within four weeks

#### Box 2

Filter type	
<b>Length</b>	<b>Code</b>
Length 1	<b>1</b>
Length 2	<b>2</b>
Length 3	<b>3</b>
Length 4	<b>4</b>

#### Box 3

Degree of filtration				
Element media	<b>Glass fibre</b>			
	<b>Media code</b>			
Microglass III element	<b>02Q</b>	<b>05Q</b>	<b>10Q</b>	<b>20Q</b>
Ecoglass III element	<b>02QE</b>	<b>05QE</b>	<b>10QE</b>	<b>20QE</b>

Note: When using Ecoglass III elements a bowl with reusable Eco-adaptor is required.

#### Box 4

Seal type	
<b>Seal material</b>	<b>Code</b>
Nitrile	<b>B</b>
Fluoroelastomer	V

#### Box 5

Indicator	
	<b>Code</b>
Plugged with steel plug	<b>P</b>
Visual indicator	<b>M3</b>
Electrical indicator	<b>T1</b>
Electronic 4 LED, PNP, N.O.	F1
Electronic 4 LED, NPN, N.O.	F2
Electronic 4 LED, PNP, N.C.	F3
Electronic 4 LED, NPN, N.C.	F4

#### Box 6

Bypass valve		
<b>Bypass valve</b>	<b>Indicator</b>	<b>Code</b>
3.5 bar	2.5 bar	<b>K</b>
No bypass	7.0 bar	N
No bypass	No indicator (P)	X

+ Box 8: code 2  
+ Box 8: code 2

When filter includes a bypass valve but not an indicator, code denotes bypass setting.

#### Box 7

Filter connection					
<b>Connections</b>	<b>Code</b>	Length 1	Length 2	Length 3	Length 4
Thread G 1	<b>G16</b>	<b>S</b>	<b>S</b>	<b>S</b>	x
Thread G 1 1/4	<b>G20</b>	<b>S</b>	<b>S</b>	<b>S</b>	<b>S</b>
Thread G 1 1/2	<b>G24</b>	x	<b>S</b>	<b>S</b>	<b>S</b>
SAE flange 1 1/2" 3000-M	R24	x	x	x	x

Availability: **S** = standard option  
x = non-standard, ask for availability

#### Box 8

Options	
<b>Options</b>	<b>Code</b>
Standard	<b>1</b>
No bypass	2

Replacement elements with nitrile seals				
Media	Length 1	Length 2	Length 3	Length 4
02Q	<b>938960Q</b>	<b>938964Q</b>	<b>938968Q</b>	<b>938972Q</b>
05Q	<b>938961Q</b>	<b>938965Q</b>	<b>938969Q</b>	<b>938973Q</b>
10Q	<b>938962Q</b>	<b>938966Q</b>	<b>938970Q</b>	<b>938974Q</b>
20Q	<b>938963Q</b>	<b>938967Q</b>	<b>938971Q</b>	<b>938975Q</b>
02QE	<b>938976Q</b>	<b>938980Q</b>	<b>938984Q</b>	<b>938988Q</b>
05QE	<b>938977Q</b>	<b>938981Q</b>	<b>938985Q</b>	<b>938989Q</b>
10QE	<b>938978Q</b>	<b>938982Q</b>	<b>938986Q</b>	<b>938990Q</b>
20QE	<b>938979Q</b>	<b>938983Q</b>	<b>938987Q</b>	<b>938991Q</b>

Nominal flow (l/min) at viscosity 30 cSt - connection size				
Filter length	Media	G16	G20	G24 & R24
Length 1	02Q/02QE	80	80	80
	05Q/05QE	120	120	120
	10Q/10QE	140	150	150
	20Q/20QE	160	180	200
Length 2	02Q/02QE	130	150	170
	05Q/05QE	150	170	190
	10Q/10QE	170	200	230
	20Q/20QE	190	220	250
Length 3	02Q/02QE	150	170	190
	05Q/05QE	170	190	210
	10Q/10QE	190	210	230
	20Q/20QE	200	230	250
Length 4	02Q/02QE	170	190	210
	05Q/05QE	180	210	230
	10Q/10QE	190	220	240
	20Q/20QE	200	230	260

Degree of filtration						Code	
Average filtration beta ratio $\beta$ (ISO 16889) / particle size $\mu\text{m}$ [c]							
$\beta_x(c)=2$	$\beta_x(c)=10$	$\beta_x(c)=75$	$\beta_x(c)=100$	$\beta_x(c)=200$	$\beta_x(c)=1000$		
% efficiency, based on the above beta ratio ( $\beta_x$ )						Disposable	Metal free
<b>50.0%</b>	<b>90.0%</b>	<b>98.7%</b>	<b>99.0%</b>	<b>99.5%</b>	<b>99.9%</b>	Microglass III	Ecoglass III
N/A	N/A	N/A	N/A	N/A	4.5	<b>02Q</b>	02QE
N/A	N/A	4.5	5	6	7	<b>05Q</b>	05QE
N/A	6	8.5	9	10	12	<b>10Q</b>	<b>10QE</b>
6	11	17	18	20	22	<b>20Q</b>	<b>20QE</b>



# 15P/30P Series

High Pressure Filters  
Max 200 l/min - 207 bar



## When it comes to lightweight filter solutions

### Compact aluminium housing and lightweight design

The 15P/30P Series utilizes a compact aluminium housing with 2 head sizes and 2 bowl lengths, large ports and wide flow paths. Maximum pressure 207 bar. Maximum flow 200 l/min. Efficient filtration and maximized element life.



## Contact Information:

Parker Hannifin  
**Hydraulic Filter Division Europe**

**European Product Information Centre**  
Freephone: 00800 27 27 5374  
(from AT, BE, CH, CZ, DE, EE, ES, FI, FR, IE, IT, PT, SE, SK, UK)  
filtrationinfo@parker.com

www.parkerhfde.com

## Product Features:

- 15P/30P utilizes a compact aluminium housing with 2 head sizes and 2 bowl lengths.
- Microglass III filter media.
- Maximum pressure 207 bar. Maximum flow 200 l/min.
- A quality filter for better control and long component life.

# 15P/30P Series

## High Pressure Filters

### Features & Benefits

Features	Advantages	Benefits
Compact aluminium housing	Light weight but still robust design	Reliable and continuous operation both in mobile and industrial applications
Two head sizes and two bowl lengths	Optimised sizing	Efficient filtration Right filter for each application
Large ports and wide flow paths	Low differential pressure across housing and element	Higher flow rates possible Less lost energy
Microglass III replacement elements	Multi-layered design produced high capacity and efficiency	Great performance value Reliable performance throughout element life
	Wire support reduces pleat bunching, keeps performance consistent	Reduces downtime, maximises element life
Visual, electrical and electronic indicators available	Check element condition at a glance	Optimise element life, prevent bypassing
	Right style for the application	Matches your system electrical connections

### Typical Applications

- Saw mills
- Aircraft ground support equipment
- Asphalt pavers
- Hydraulic fan drives
- Power steering circuits
- Domestic refuse vehicles
- Cement trucks
- Servo control protection
- Logging equipment



### The Parker Filtration 15P/30P Series High Pressure Filters.

These application examples have one thing in common...the need for clean hydraulic fluid.

Modern high pressure hydraulic systems are demanding. Better controls and long component life are expected. To deliver the high standards of performance, hydraulic components are built with tighter tolerances which increases their sensitivity to contamination.

That's where Parker pressure filters come into play. They filter out ingressed contamination before it jams a valve or scores a cylinder. They block pump generated debris before it gets to servo or proportional valves. Parker pressure filters are a key ingredient in meeting today's system demands.

Put your hydraulic systems in the care of Parker Filtration. We are committed to designing and building the best filters available to industry.

## Specification

### Pressure ratings:

Maximum allowable operating pressure 207 bar.  
Filter housing pressure pulse fatigue tested: 138 bar.

### Connections:

Inlet and outlet connections are threaded.

Connection style	Model	
BSPF(G)	15P	30P
ISO 6149	3/4"	1"
	M27	M33

### Filter housing:

Head material extruded aluminium (anodised 6061-T6).  
Bowl material impacted aluminium (anodised 6061-T6).

### Seal material:

Nitrile or Fluoroelastomer.

### Operating temperature range:

Seal material Nitrile: -40°C to +100°C.  
Seal material Fluoroelastomer: -20°C to +120°C.

### Bypass valve:

Opening pressure 3.5 bar.

### Filter element:

Degree of filtration:  
Determined by multipass-test according to ISO 16889.

### Flow fatigue characteristics:

Filter media is supported so that the optimal fatigue life is achieved (ISO 3724).

### Microglass III:

Supported with epoxy coated metal wire mesh, end cap material reinforced composite and metal inner core. Collapse rating 24 bar (ISO 2941).

### High collapse elements:

High collapse elements available. For details please contact Parker Filtration.

### Indicator options:

Indicating differential pressure: 2.5 ± 0.3 bar.

- visual M3.
  - electrical T1.
  - electronic F1 (PNP).
  - electronic F2 (NPN).
- For indicator details see catalogue section 6.

### Weights (kg):

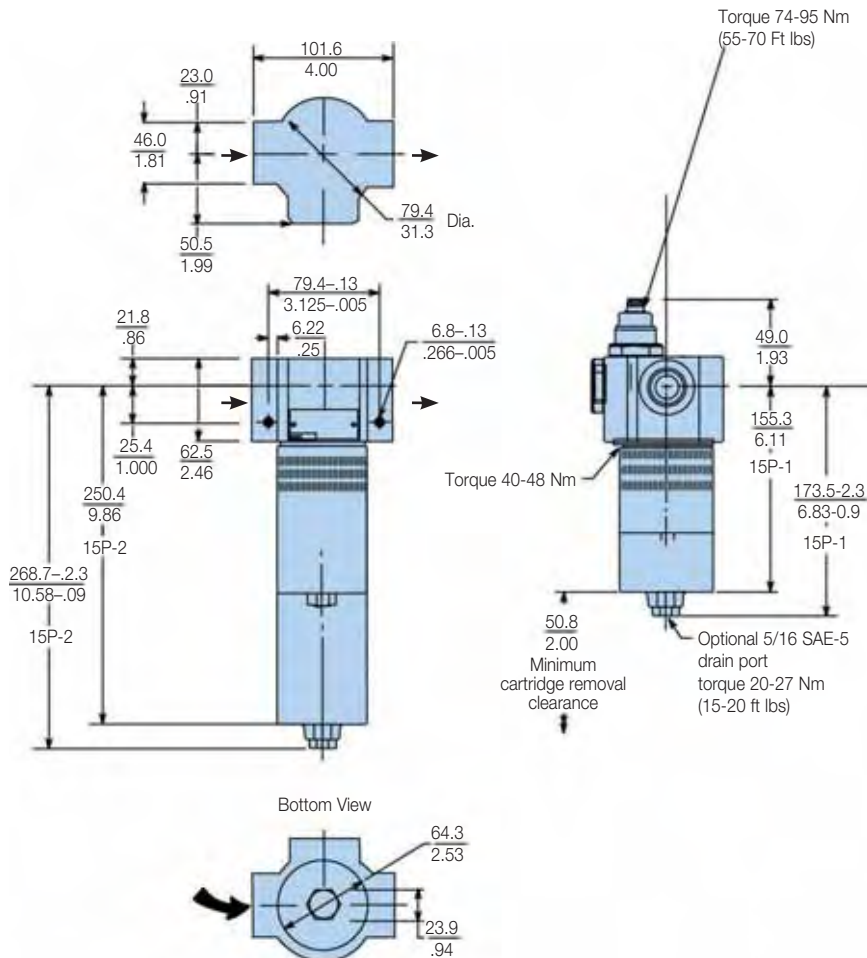
Model	Length 1	Length 2
15P	1.6	2.1
30P	2.9	3.9

### Fluid compatibility:

Suitable for use with mineral and vegetable oils, and some synthetic oils. For other fluids, please consult Parker Filtration.

## Installation Details

### 15P Series

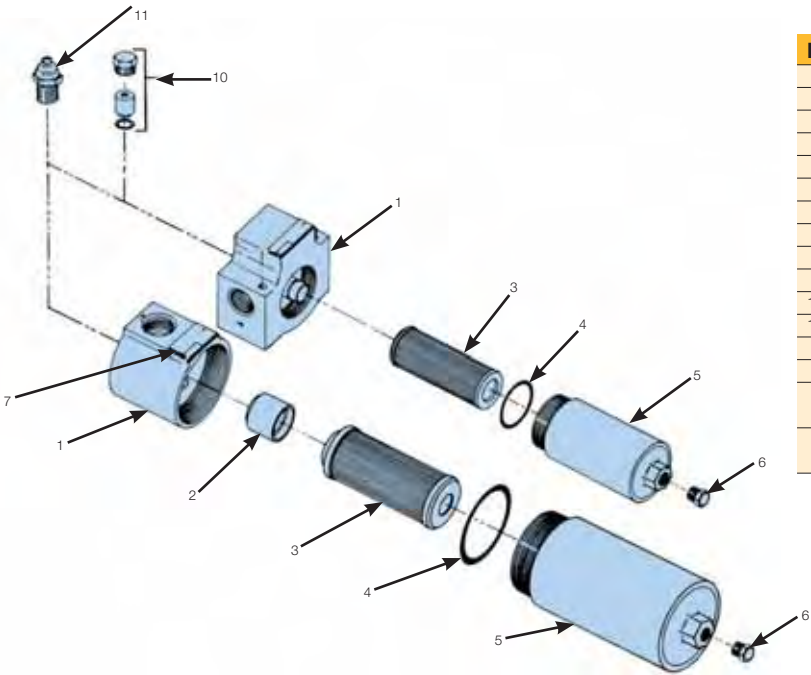
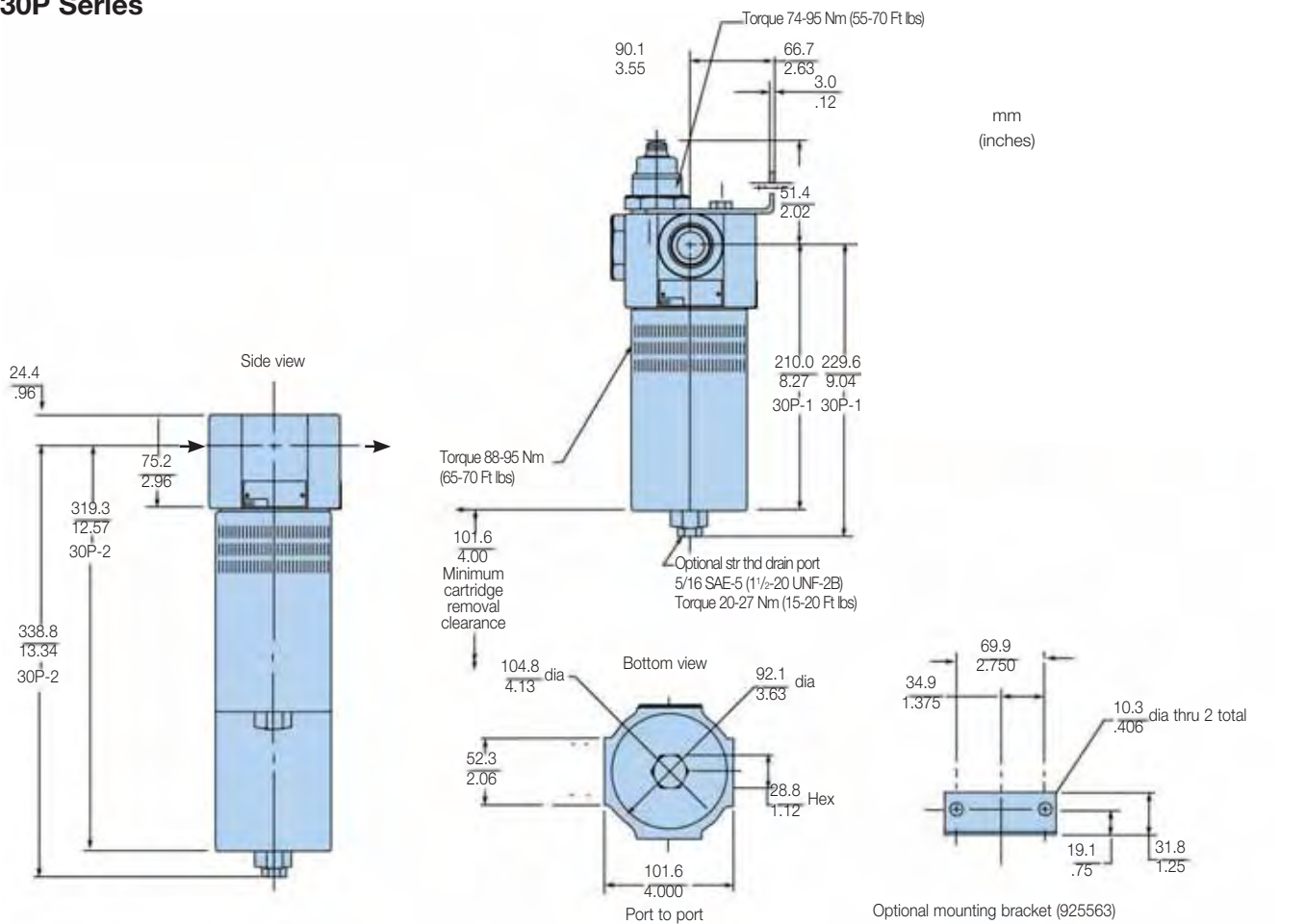


# 15P/30P Series

## High Pressure Filters

### Installation Details (cont.)

#### 30P Series



Index	Description	15P	30P
1	Head		
2	Bypass assembly		
3	Element	See chart in product configurator	
4	Bowl O-ring - Nitrile	OR04074	OR06037
	Bowl O-ring - fluoroelastomer	V92138	V92151
5	Bowl		
6	Drain plug - c/w buna seal		
	Drain plug - c/w Fluoroelastomer seal		
7	Nameplate		
10	Blank indicator kit		
11	Indicators		
	M3 - Visual auto reset indicator	FMUM3KVAU14M	
	T1 - Electrical indicator	FMUT1KVAU14M	
	F1 - Electronic indicator PNP with 4 LED	FMUF1KVAU14M	
	F2 - Electronic indicator NPN with 4 LED	FMUF2KVAU14M	





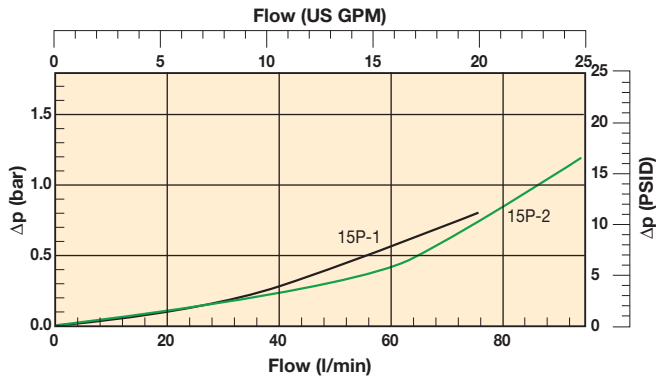
## Pressure Drop Curves

The recommended level of the initial pressure drop is max. 1.2 bar.

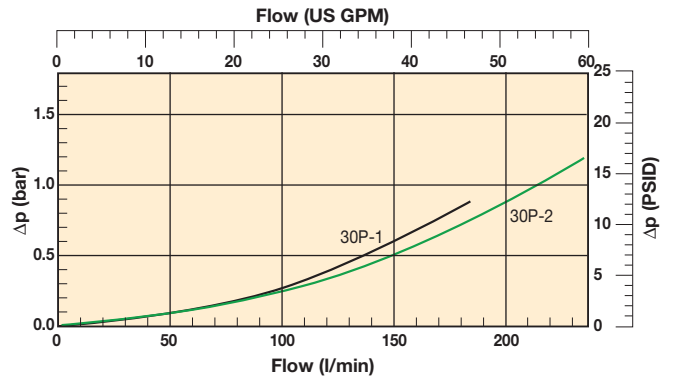
If the medium used has a viscosity different from 30 cSt, pressure drop over the filter can be estimated as follows:

$$\Delta p = (\Delta p_{30} \times \text{viscosity of medium used}) / 30 \text{ cSt.}$$

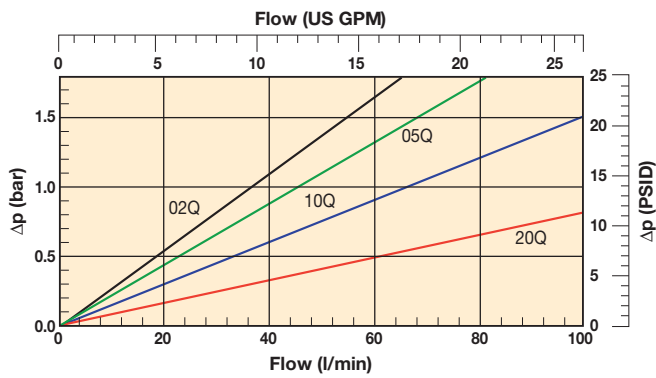
### 15P Empty Housing



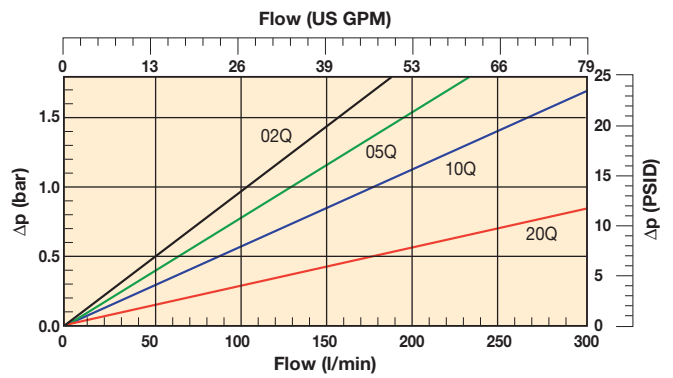
### 30P Empty Housing



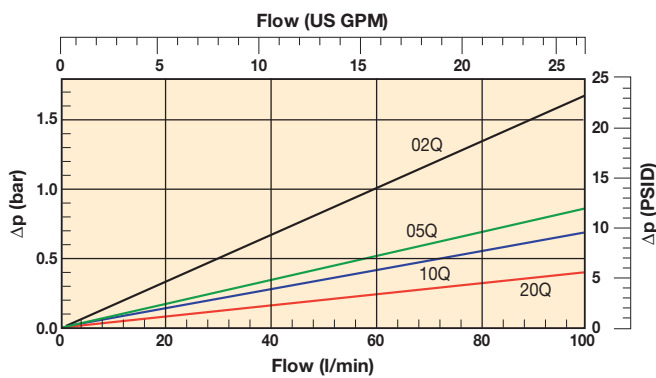
### 15P-1 Elements



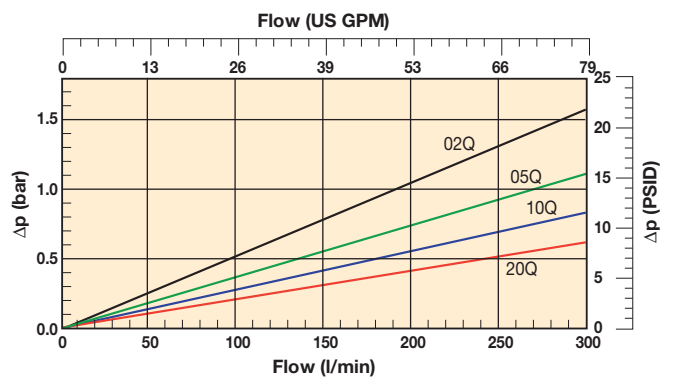
### 30P-1 Elements



### 15P-2 Elements



### 30P-2 Elements



# 15P/30P Series

## High Pressure Filters

### Ordering Information

#### Standard products table

Part number	Supersedes	Flow (l/min)	Model number	Element length	Media rating (µ)	Seals	Indicator	Bypass settings	Ports	Replacement elements
<b>15P110QBM3KG121</b>	15P-1-10Q-M2-50-B2B2-1	45	15P	Length 1	10	Nitrile	Visual	3.5 bar	G <sup>3</sup> / <sub>4</sub> "	<b>939102Q</b>
<b>15P110QBT1KG121</b>	15P-1-10Q-TW3-50-B2B2-1	45	15P	Length 1	10	Nitrile	Electrical	3.5 bar	G <sup>3</sup> / <sub>4</sub> "	<b>939102Q</b>
<b>15P210QBM3KG121</b>	15P-2-10Q-M2-50-B2B2-1	70	15P	Length 2	10	Nitrile	Visual	3.5 bar	G <sup>3</sup> / <sub>4</sub> "	<b>939106Q</b>
<b>15P210QBT1KG121</b>	15P-2-10Q-TW3-50-B2B2-1	70	15P	Length 2	10	Nitrile	Electrical	3.5 bar	G <sup>3</sup> / <sub>4</sub> "	<b>939106Q</b>
<b>30P110QBM3KG161</b>	30P-1-10Q-M2-50-C2C2-1	120	30P	Length 1	10	Nitrile	Visual	3.5 bar	G1"	<b>939110Q</b>
<b>30P110QBT1KG161</b>	30P-1-10Q-TW3-50-C2C2-1	120	30P	Length 1	10	Nitrile	Electrical	3.5 bar	G1"	<b>939110Q</b>
<b>30P210QBM3KG161</b>	30P-2-10Q-M2-50-C2C2-1	170	30P	Length 2	10	Nitrile	Visual	3.5 bar	G1"	<b>939114Q</b>
<b>30P210QBT1KG161</b>	30P-2-10Q-TW3-50-C2C2-1	170	30P	Length 2	10	Nitrile	Electrical	3.5 bar	G1"	<b>939114Q</b>

Note: Filter assemblies ordered from the product configurator below are on extended lead times. Where possible, please make your selection from the table above.

Note 1: Part numbers featured with bold highlighted codes will ensure a 'standard' product selection.

Note 2: Alternate displayed part number selection will require you to contact Parker Filtration for availability.

#### Product configurator

Box 1	Box 2	Box 3	Box 4	Box 5	Box 6	Box 7	Box 8
<b>15P</b>	<b>1</b>	<b>10Q</b>	<b>B</b>	<b>M3</b>	<b>K</b>	<b>G12</b>	<b>1</b>

#### Box 1

Code	
<b>Model</b>	<b>Code</b>
High pressure filter, T-port	<b>15P</b>
High pressure filter, T-port	<b>30P</b>

#### Highlights Key (Denotes part number availability)

<b>123</b>	Item is standard
<b>123</b>	Item is standard green option
<b>123</b>	Item is semi standard
123	Item is non standard

Note: Standard items are in stock, semi standard items are available within four weeks

#### Box 2

Filter type	
<b>Length</b>	<b>Code</b>
Length 1	<b>1</b>
Length 2	<b>2</b>

#### Box 3

Degree of filtration			
Element media	<b>Glass fibre</b>		
	<b>Media code</b>		
Microglass III element	<b>02Q</b>	<b>05Q</b>	<b>10Q</b> <b>20Q</b>

#### Box 4

Seal type	
<b>Seal material</b>	<b>Code</b>
Nitrile	<b>B</b>
Fluoroelastomer	V

#### Box 5

Indicator	
<b>Code</b>	
Plugged with steel plug	<b>P</b>
Visual indicator	<b>M3</b>
Electrical indicator	<b>T1</b>
No indicator port	N
Electronic 4 LED, PNP, N.O.	F1
Electronic 4 LED, NPN, N.O.	F2
Electronic 4 LED, PNP, N.C.	F3
Electronic 4 LED, NPN, N.C.	F4

#### Box 6

Bypass and indicator settings		
<b>Bypass valve</b>	<b>Indicator</b>	<b>Code</b>
3.5 bar	2.5 bar	<b>K</b>

When filter includes a bypass valve but not an indicator, code denotes bypass setting.

#### Box 7

Filter connection	
<b>Connections</b>	<b>Code</b>
15P: Thread G <sup>3</sup> / <sub>4</sub>	<b>G12</b>
Thread M27, ISO 6149	M27
30P: Thread G 1	<b>G16</b>
Thread M33, ISO 6149	M33

#### Box 8

Options	
<b>Options</b>	<b>Code</b>
Standard	<b>1</b>
Drain port on bowl	4

Replacement elements with nitrile seals				
Media	15P-1	15P-2	30P-1	30P-2
02Q	<b>939100Q</b>	<b>939104Q</b>	<b>939108Q</b>	<b>939112Q</b>
05Q	<b>939101Q</b>	<b>939105Q</b>	<b>939109Q</b>	<b>939113Q</b>
10Q	<b>939102Q</b>	<b>939106Q</b>	<b>939110Q</b>	<b>939114Q</b>
20Q	<b>939103Q</b>	<b>939107Q</b>	<b>939111Q</b>	<b>939115Q</b>

#### Nominal flow (l/min) at viscosity 30 cSt

Filter model	02Q	05Q	10Q	20Q
15P-1	25	30	45	70
15P-2	40	60	70	90
30P-1	70	90	120	170
30P-2	120	150	170	200

Degree of filtration						Code	
Average filtration beta ratio β (ISO 16889) / particle size µm [c]							
βx(c)=2	βx(c)=10	βx(c)=75	βx(c)=100	βx(c)=200	βx(c)=1000	Disposable Microglass III	
% efficiency, based on the above beta ratio (βx)							02Q
50.0%	90.0%	98.7%	99.0%	99.5%	99.9%		
N/A	N/A	N/A	N/A	N/A	4.5	05Q	
N/A	N/A	4.5	5	6	7		
N/A	6	8.5	9	10	12	10Q	
6	11	17	18	20	22		



# 100P Series

High Pressure Filters

Max 1000 l/min - 414 bar



When it comes to high flow capacity for high pressure systems

## A high flow rate filter solution

The 100P Series design means on element change only the bowl end-cap has to be removed. Microglass III glassfibre media is standard. Maximum pressure 414 bar. Maximum flow 1000 l/min. An ideal solution where space is at a premium.



## Contact Information:

Parker Hannifin  
Hydraulic Filter Division Europe

European Product  
Information Centre  
Freephone: 00800 27 27 5374  
(from AT, BE, CH, CZ, DE, EE, ES,  
FI, FR, IE, IT, PT, SE, SK, UK)  
filtrationinfo@parker.com

www.parkerhfde.com

## Product Features:

- 100P design, only the bowl end-cap is removed on element change.
- Microglass III glassfibre media is standard.
- Maximum pressure 414 bar. Maximum flow 1000 l/min.
- An ideal solution where space is at a premium.

# 100P Series

## High Pressure Filters

### Features & Benefits

Features	Advantages	Benefits
High 414 bar pressure rating	Strong and robust housing for heavy duty applications	Reliable and continuous operation for open and closed loop applications
Flow rates up to 1000 l/min	Pressure filtration possible for high flow rates	Excellent protection of high performance machinery
Optional reverse flow valve	Allows reverse flow and prevents back wash of element	Ideal for applications where back flow is expected
Bottom access bowl	Only bottom of the bowl must be opened for element change	Easy service
Microglass III replacement elements	Multi-layered design produced high capacity and efficiency	Great performance value
		Reliable performance throughout element life
Visual and electrical indicators available	Wire support reduces pleat bunching, keeps performance consistent	Reduces downtime, maximises element life
	Check element condition at a glance	Optimises element life, prevents bypassing
	Right style for the application	Matches your system electrical connections

### Typical Applications

- Drilling rigs
- Power packs
- Oil/gas industry
- Flight simulators
- Test rigs

### The Parker Filtration Model 100P High Pressure Filters.

The 100P Series is designed to meet the growing demand for high-pressure filters with a flow rate capacity of up to 1000 l/min at 414 bar working pressure. For systems where reverse flow can be expected, an optional integrated reverse flow valve avoids back wash of contamination. When changing the element, only the end cap of the bowl has to be removed. The filter is ideal for applications where space is at a premium. The filter media used in the elements is high quality Microglass III glass fibre.



## Specification

### Pressure ratings:

Maximum allowable operating pressure 414 bar.  
Filter housing pressure pulse fatigue tested:  $3 \times 10^6$  pulses 0 - 276 bar.

### Connections:

Inlet and outlet connections are threaded internally or flange faced.  
Threads G1 1/2", G2" (ISO 228/1), SAE 24, SAE 32.  
or flanges 1 1/2" SAE 6000, 2" SAE 6000, 1 1/2" SAE 6000-M, 2" SAE 6000-M.  
\*6000-M is a SAE style with appropriate metric fixing threads.

### Filter housing:

Head material cast iron (GSI).  
Bowl material extruded steel, max torque 200 Nm.

### Seal material:

Nitrile or Fluoroelastomer.

### Operating temperature range:

Seal material Nitrile: - 40°C to +100°C.  
Seal material Fluoroelastomer: - 20°C to +120°C.

### Bypass valve:

Opening pressure 7.0 bar.

### Options:

Reverse flow valve, which directs back flow from port to port.

### Filter element:

### Degree of filtration:

Determined by Multipass-test according to ISO 16889.

### Flow fatigue characteristics:

Filter media is supported so that the optimal fatigue life is achieved (ISO 3724).

### Microglass III:

Supported with epoxy coated metal wire mesh, end cap material reinforced composite and metal inner core.  
Collapse rating 20 bar (ISO 2941).

### Indicator options:

Indicating differential pressure: 5.0 bar.  
- visual indicator.  
- electrical indicator.

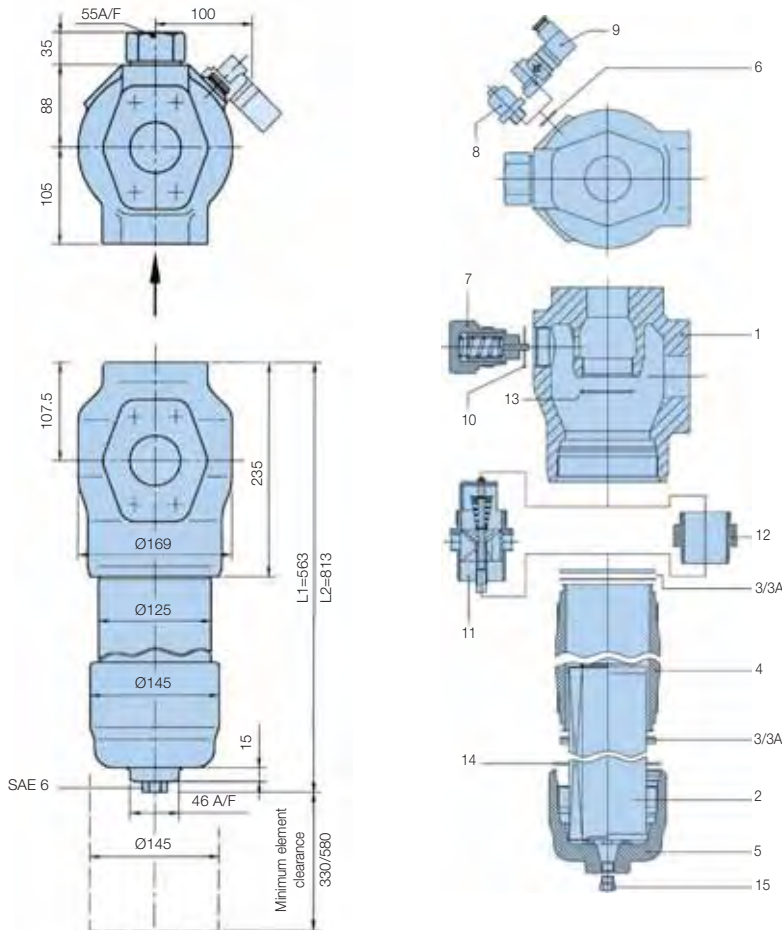
### Weights (kg):

100P-1: 37 kg.  
100P-2: 47 kg.

### Fluid compatibility:

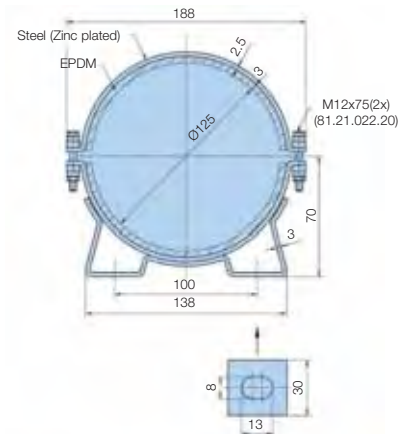
Suitable for use with mineral and vegetable oils, and some synthetic oils. For other fluids, please consult Parker Filtration.

## Installation Details



Note: For installation drawings of the SAE 1 1/2" and 2" flanges, contact Parker.

## Mounting Clamp Item 16



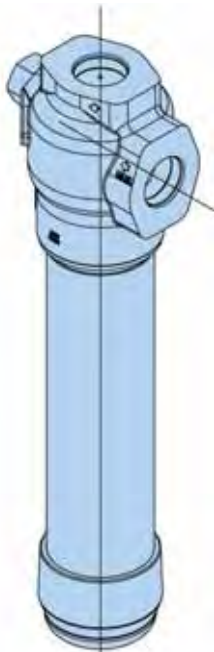
### Type H model 1000

1	Filter head
2	Filter element
3	Bowl seal
3A	Bowl back-up ring
4	Housing
5	Cover
6	Indicator seal
7	Bypass set
8	Visual indicator
9	Electrical indicator
10	Bypass seal
11	Reverse flow set
12	Adaptor
13	Adaptor/reverse flow seal
14	Cover seal
15	Drain plug
16	Mounting clamp

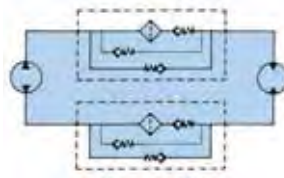
# 100P Series

## High Pressure Filters

### Additional Information

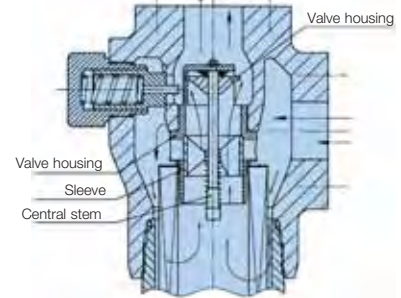


Filter with Reverse Flow Valve

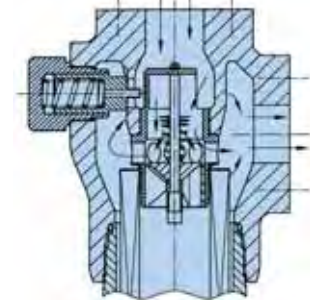


Circuit symbol

Normal Flow Condition



Reverse Flow Condition



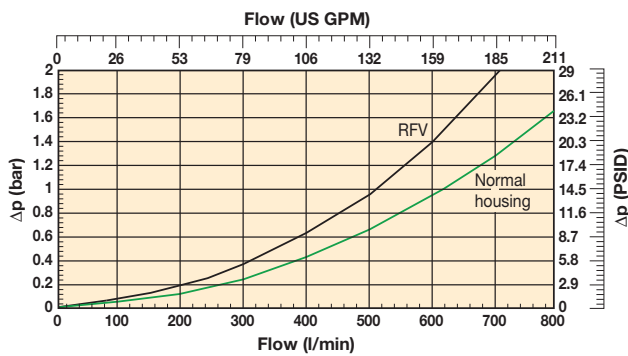
### Pressure Drop Curves

The recommended level of the initial pressure drop is max. 2.3 bar.

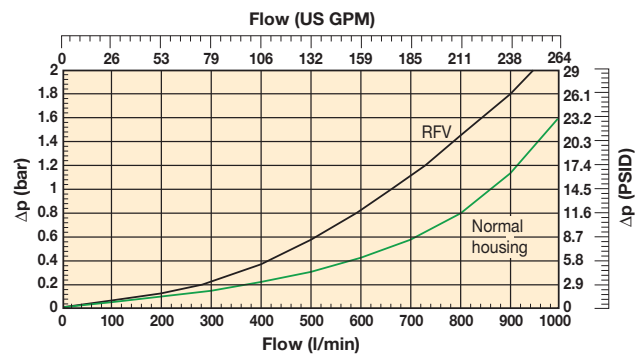
If the medium used has a viscosity different from 30 cSt, pressure drop can be estimated as follows:

The total  $\Delta p = \text{housing } \Delta p + (\text{element } \Delta p_e \times \text{working viscosity}/30)$ .

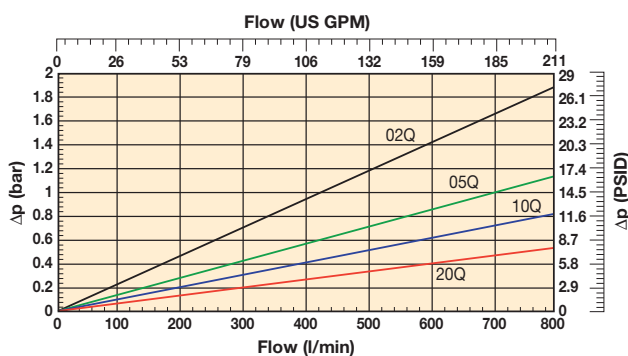
100P-1 Empty Housing (G1½", SAE 24, SAE 1½")



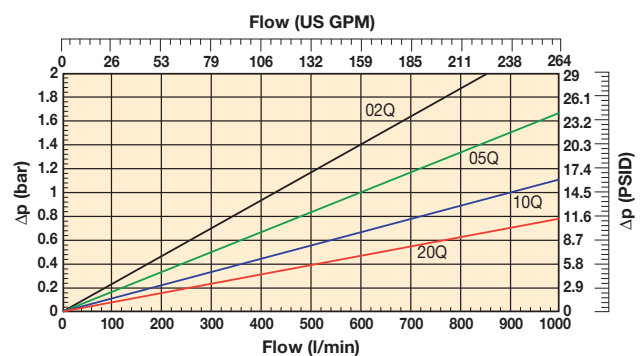
100P-2 Empty Housing (G2", SAE 32, SAE 2")



100P-1 Elements



100P-2 Elements



# Ordering Information

## Standard products table

Part number	Supersedes	Flow (l/min)	Model number	Element length	Media rating (µ)	Seals	Indicator	Bypass settings	Ports	Replacement elements	Supersedes
<b>100P105QBM4MF241</b>	1074A.2HN70.FZ1210	600	100P	Length 1	5	Nitrile	Visual	7.0 bar	SAE flange 1 1/2" 6000	<b>939061Q</b>	1070Z121A
<b>100P110QBM4MF241</b>	1074A.2HN70.FZ1220	700	100P	Length 1	10	Nitrile	Visual	7.0 bar	SAE flange 1 1/2" 6000	<b>939062Q</b>	1070Z122A
<b>100P120QBM4MF241</b>	1074A.2HN70.FZ1230	800	100P	Length 1	20	Nitrile	Visual	7.0 bar	SAE flange 1 1/2" 6000	<b>939063Q</b>	1070Z123A
<b>100P205QBM4MF321</b>	1074A.2HN70.TZ2210	840	100P	Length 2	5	Nitrile	Visual	7.0 bar	SAE flange 2" 6000	<b>939065Q</b>	1070Z221A
<b>100P210QBM4MF321</b>	1074A.2HN70.TZ2220	920	100P	Length 2	10	Nitrile	Visual	7.0 bar	SAE flange 2" 6000	<b>939066Q</b>	1070Z222A
<b>100P220QBM4MF321</b>	1074A.2HN70.TZ2230	1000	100P	Length 2	20	Nitrile	Visual	7.0 bar	SAE flange 2" 6000	<b>939067Q</b>	1070Z223A

Note: Filter assemblies ordered from the product configurator below are on extended lead times. Where possible, please make your selection from the table above.

## Product configurator

Box 1	Box 2	Box 3	Box 4	Box 5	Box 6	Box 7	Box 8
<b>100P</b>	<b>2</b>	<b>10Q</b>	<b>B</b>	<b>M4</b>	<b>M</b>	<b>F32</b>	<b>1</b>

Box 1

Code	
Model	Code
Large HP filter, L-port	<b>100P</b>

Box 2

Filter type	
Length	Code
Length 1	<b>1</b>
Length 2	<b>2</b>

Box 3

Degree of filtration			
Element media		Glass fibre	
		Media code	
Microglass III element	<b>02Q</b>	<b>05Q</b>	<b>10Q</b> <b>20Q</b>

Box 4

Seal type	
Seal material	Code
Nitrile	<b>B</b>
Fluoroelastomer	V

Box 5

Indicator	
	Code
Indicator port plugged	<b>P</b>
Visual indicator	<b>M4</b>
Electrical indicator	<b>T2</b>
Electrical indicator with red lamp 28 Vdc, N.O.	T3
Electrical indicator with red lamp 110 VAC, N.O.	T4
Electrical indicator with red lamp 250 VAC, N.O.	T5

Box 6

Bypass and indicator settings		
Bypass valve	Indicator	Code
7.0 bar	5.0 bar	<b>M</b>

When filter includes a bypass valve but not an indicator, code denotes bypass setting.

Box 7

Filter connection	
Connections	Code
Thread G 1 1/2	G24
Thread G 2	G32
Thread SAE 24	S24
Thread SAE 32	S32
SAE flange 1 1/2" 6000	<b>F24</b>
SAE flange 1 1/2" 6000-M	on request
SAE flange 2" 6000	<b>F32</b>
SAE flange 2" 6000-M	on request

Box 8

Options	
Options	Code
Standard	<b>1</b>
Reverse flow valve	3

Indicator Options	
Part Number	Option
8060050033	M4
8060070002	T2
8060070007	T3
8060070006	T5

Replacement elements with nitrile seals		
Media	Length 1	Length 2
02Q	<b>939060Q</b>	<b>939064Q</b>
05Q	<b>939061Q</b>	<b>939065Q</b>
10Q	<b>939062Q</b>	<b>939066Q</b>
20Q	<b>939063Q</b>	<b>939067Q</b>

Nominal flow (l/min) at viscosity 30 cSt				
Filter port size	02Q	05Q	10Q	20Q
100P-1, 1 1/2"	540	600	700	800
100P-2, 2"	700	840	920	1000

## Seal Kit and Mounting Clamp

Options	Code
Seal kit (nitrile)	8069000070
Seal kit (fluoroelastomer)	8069000013
Mounting Clamp	84.47.265.01

Note: Refer to Box 5 for options explanation.

## Highlights Key (Denotes part number availability)

<b>123</b>	Item is standard
<b>123</b>	Item is standard green option
<b>123</b>	Item is semi standard
123	Item is non standard

Note: Standard items are in stock, semi standard items are available within four weeks

Note 1: Part numbers featured with bold highlighted codes will ensure a 'standard' product selection.

Note 2: Alternate displayed part number selection will require you to contact Parker Filtration for availability.



Degree of filtration						Code
Average filtration beta ratio β (ISO 16889) / particle size µm [c]						
β(x)=2	β(x)=10	β(x)=75	β(x)=100	β(x)=200	β(x)=1000	Disposable Microglass III
% efficiency, based on the above beta ratio (βx)						
50.0%	90.0%	98.7%	99.0%	99.5%	99.9%	
N/A	N/A	N/A	N/A	N/A	4.5	<b>02Q</b>
N/A	N/A	4.5	5	6	7	<b>05Q</b>
N/A	6	8.5	9	10	12	<b>10Q</b>
6	11	17	18	20	22	<b>20Q</b>

# Grab the benefits of a greener future



Image courtesy of Komatsu

## ENVIRONMENTALLY-FRIENDLY FILTRATION SOLUTIONS

Trust Parker to provide you with a range of 'green' filter products that impact positively on the environment. Now with new E-series element ranges your customers benefit from a solution that's smarter, safer and more responsible when it comes to filtration.

By significantly reducing waste levels, E-Series elements are designed to increase the lifespan of hydraulic machinery. CN medium pressure filters feature Ecoglass elements that can be crushed, shredded, baled and when incinerated offer minimal residue causing little or no damage to the environment. Available in three models 15CN, 40CN and 80CN, they provide a reliable service and trouble-free operation under tough conditions.

Through Parker's advanced Laser CM technology, all vehicle operators can monitor fluid contamination on-site through a simple two minute test. This accurate monitoring method helps prevent catastrophic failure in critical systems instantly.

When it comes to filtration solutions you can rely on - the future is Parker.

Enjoy the benefits of 'green' filtration, email [filtrationinfo@parker.com](mailto:filtrationinfo@parker.com)



# EPF *iprotect*® Series

High Pressure Filters

Max. 700 l/min - 450 bar



## An ecological filter design solution

### When Ecology meets Economy

The EPF Series utilizes the unique patented *iprotect*® element design. The ecological design reduces environmental impact by over 50% typically and covers flow rates up to 700 l/min at 450 bar. The 'smart' element in the bowl design ensures that minimum space is needed to service the filter. The patented design protects the quality of filtration and the aftermarket, offering improved aftermarket revenues.



## Contact Information: Product Features:

Parker Hannifin  
**Hydraulic Filter Division Europe**

**European Product  
Information Centre**  
Freephone: 00800 27 27 5374  
(from AT, BE, CH, CZ, DE, EE, ES,  
FI, FR, IE, IT, PT, SE, SK, UK)  
filtrationinfo@parker.com

www.parkerhfde.com

- A new generation of high pressure filters.
- Rated at 450 bar for flows up to 700 l/min.
- The quality of filtration is protected.
- The element remains in the filter bowl for a more compact solution.

# EPF *iprotect*<sup>®</sup> Series

## High Pressure Filters

### Specification

**Pressure Rating:** 414 bar

**Flow Capacity:**

- Size 1: 40 l/min
- Size 2: 100 l/min
- Size 3: 160 l/min
- Size 4: 320 l/min
- Size 5: up to 700 l/min

**Filter housing:**

- In-line with threaded and flanged ports
- Manifold type filter heads

**Filter Element:**

Patented filter element technology based on ecological design.

**Bypass settings:**

- 3.5, 5 and 7 bar and blocked

**Indicators:**

Visual, electrical and electronic

- ATEX certified filters
- Service-friendly design (minimizes space needed for servicing filter, element remains in filter bowl)
- Automatic element positioning prevents mistakes during filter service events
- New *iprotect*<sup>®</sup> filter filter element includes replacement bypass valve seals
- Ecological design minimizes waste over 50%

### Benefits

- Modular product architecture allows easy and compact integration of the *iprotect*<sup>®</sup> element in systems and manifold blocks.
- New product design reduces energy consumption across filter due to optimized flow path.
- Patented filter technology protects system performance and optimal protection of components.
- Patented filter technology protects filter element after market and usage of genuine OEM parts.

### Applications



#### EPF *iprotect* inline filter

5 standard sizes with multiple bowl lengths for optimal filter performance



#### EPF *iprotect*<sup>®</sup> manifold filter

4 standard sizes with ability to provide custom specific interface for flange

### Element Options:



### REDUCING COSTS BY INNOVATION

Introducing the NEW EPF 'Ecological High Pressure Filter' designed to support Parker Filtration's drive towards reducing costs by innovation.

Hydraulic filter solutions for the future require a radically different approach and Parker Filtration's objective underlines an ability to support our customers with the design and realization of 'new generation' filters such as the EPF.

Parker Filtration offers hydraulic system designers the possibility to integrate various system functions into single components. This can result in cost reductions for the application in manufacturing and end-user maintenance and can realize more compact solutions and lower environmental impact by reducing leak points for example. Integrating high pressure filters such as the EPF with unique, quality media and patented elements will guarantee filter performance and maximize system component protection.

At 450 bar maximum working pressure and flow options up to 700 l/min, the EPF Series offers a new ecological style filter element named *iprotect*<sup>®</sup>, typically reducing disposal waste and cost by over 50%. Designed with high quality filter media, the EPF range will provide benefits for OEM and End Users alike maximizing the productivity and Profitability from their equipment.

- Hydraulic system protection – EPF *iprotect*<sup>®</sup> Series help safeguard system fluid cleanliness by using patented elements in the assembly.
- System performance – EPF *iprotect*<sup>®</sup> guaranteed filter quality improves system controllability, productivity and reliability.
- Saving time saves cost – EPF *iprotect*<sup>®</sup> unique element design reduces time to change and eliminates oil spillage during change-over as the element remains in the bowl when it's removed from the filter head.
- Space saving installation – bowl removal requires no tools, is fast and best of all requires the minimum of space keeping the filter envelope to a minimum

# EADPF *iprotect*® Series

High Pressure Duplex Filters

Max. 320 l/min - 350 bar



## Automatic duplex filters increase safety

### New patented duplex filter technology offers continuous automated protection

The EADPF Series utilizes a unique patented element design named *iprotect*®. The ecological design reduces environmental impact over 50% typically and covers flow rates up to 320 l/min at 350 bar. This 'smart' element is integrated into a duplex head featuring a fully automatic change over. One or two differential pressure indicators are used to control the duplex filter. A unique aspect is that the system pressure is used for the pilot lines operating the flow control valves, isolating or putting the filter bowl with the clean element into service.



## Contact Information:

Parker Hannifin  
**Hydraulic Filter Division Europe**

**European Product Information Centre**  
**Freephone: 00800 27 27 5374**  
**(from AT, BE, CH, CZ, DE, EE, ES, FI, FR, IE, IT, PT, SE, SK, UK)**  
**filtrationinfo@parker.com**

[www.parkerhfde.com](http://www.parkerhfde.com)

## Product Features:

- The quality of filtration is protected.
- Rated at 350 bar for flows up to 320 l/min.
- Multiple bypass settings up to 7 bar or blocked with 210 bar rated high collapse element.
- EADPF duplex filters feature fully automatic element change-over.



# EMDPF *iprotect*® Series

High Pressure Duplex Filters

Max. 320 l/min - 350 bar



## Manually operated duplex filters with the *iprotect*® element family

**New patented *iprotect*® element family provides system-matched duplex filter solutions**

The EMDPF Series utilizes the unique patented *iprotect*® element design. The ecological design reduces environmental impact by over 50% typically and covers flow rates up to 320 l/min at 350 bar. This 'smart' element is integrated into a manually operated duplex head. One or two differential pressure indicators are used to control the duplex filter. A unique aspect is that the system pressure is used for the pilot lines operating the flow control valves, isolating or putting the filter bowl with the clean element into service.



## Contact Information: Product Features:

Parker Hannifin  
**Hydraulic Filter Division Europe**

**European Product Information Centre**  
**Freephone: 00800 27 27 5374**  
**(from AT, BE, CH, CZ, DE, EE, ES, FI, FR, IE, IT, PT, SE, SK, UK)**  
**filtrationinfo@parker.com**

[www.parkerhfde.com](http://www.parkerhfde.com)

- The quality of filtration is protected.
- Rated at 350 bar for flows up to 320 l/min.
- Multiple bypass settings up to 7 bar or blocked with 210 bar rated high collapse element.
- EMDPF duplex filters feature leakage-free valve technology.



# 18/28/38P Series

High Pressure Filters  
Max 700 l/min - 414 bar



## The all-round high pressure filter solution

### Robust housing for heavy duty applications

The 18/28/38P Series features a range of head and bowl sizes and connection options. Microglass III glassfibre media is standard. Maximum pressure 414 bar. Maximum flow 700 l/min. A globally proven filter with optimized sizing for a wide range of industrial applications.



## Contact Information:

Parker Hannifin  
**Hydraulic Filter Division Europe**

**European Product  
Information Centre**  
Freephone: 00800 27 27 5374  
(from AT, BE, CH, CZ, DE, EE, ES,  
FI, FR, IE, IT, PT, SE, SK, UK)  
filtrationinfo@parker.com

www.parkerhfde.com

## Product Features:

- Multiple bypass settings up to 7 bar.
- 18/28/38P features a range of head and bowl sizes and connection options.
- Microglass III glassfibre media is standard.
- Maximum pressure 414 bar. Maximum flow 700 l/min.
- A proven filter solution for 'heavy duty' hydraulic systems.

# 18/28/38P Series

## High Pressure Filters

### Features & Benefits

Features	Advantages	Benefits
Fatigue tested to full pressure rating	Strong and robust housing for heavy duty applications	Reliable and continuous operation both in mobile and industrial applications
Several head sizes	Optimised sizing	Efficient filtration Covers wide flow range
Several connection options	Easy mounting	Global design, global acceptance Right filter for each application
Microglass III replacement elements	Multi-layered design produced high capacity and efficiency	Great performance value
	Wire support reduces pleat bunching, keeps performance consistent	Reliable performance throughout element life Reduces downtime, maximises element life
Visual, electrical and electronic indicators available	Check element condition at a glance	Optimises element life, prevents bypassing
	Right style for the application	Matches your system electrical connections

### Typical Applications

- Injection moulding
- Die casting
- Servo controls
- Machine tools
- Mobile equipment

### The Parker Filtration 18/28/38P Series High Pressure Filters

Parker Filtration engineered the 18/28/38P series of high pressure filters to satisfy demanding applications in the mobile and industrial markets throughout the world. With metric mounting and optional ISO 6149 ports, this new series is truly a global design.

Installed downstream of the pump, this new series with their wide range of high capacity Microglass III elements, offer excellent protection to system components.

Standard filters come complete with industry proven spool type bypass valve. For more critical applications such as servo or proportional controls, a no bypass high strength element combination ensures maximum protection.

The modular low hysteresis differential pressure indicator fitted to this series is unrivaled in its performance. Tests prove its accuracy and foolproof design to be a major advance in indicator technology.



# Specification

**Pressure ratings:**

Maximum allowable operating pressure 414 bar.  
 Filter housing pressure pulse fatigue tested: 10<sup>6</sup> pulses 0 - 414 bar.

**Connections:**

Inlet and outlet connections are threaded internally or flange faced.

Connection style	Model		
	18P	28P	38P
BSPF(G)	3/4"	1"	1 1/4", 1 1/2"
SAE	12	16	20, 24
ISO 6149	M27	M33	M42, M48
Flange SAE 6000	3/4"	1"	1 1/4"
Flange SAE 6000-M*	3/4"	1"	1 1/4"

\*6000-M is a SAE style with appropriate metric fixing threads.

**Filter housing:**

Head material cast iron (GSI).  
 Bowl material steel.

**Seal material:**

Nitrile or Fluoroelastomer.

**Operating temperature range:**

Seal material Nitrile: -40°C to +100°C.  
 Seal material Fluoroelastomer: -20°C to +120°C.

**Bypass valve & indicator settings:**

Table below gives bypass valve and corresponding indicator setting.

Bypass	Indicator
3.5 bar	2.5 bar
7.0 bar	5.0 bar

**Filter element:**

**Degree of filtration:**  
 Determined by multipass-test according to ISO 16889.

**Flow fatigue characteristics:**

Filter media is supported so that the optimal fatigue life is achieved (ISO 3724).

**Microglass III:**

Supported with epoxy coated metal wire mesh, end cap material reinforced composite and metal inner core. Collapse rating 20 bar (ISO 2941).

**High collapse elements:**

(To be used when no bypass function in filter housing).  
 Microglass III media supported with epoxy coated metal wire mesh on upstream and stainless steel on downstream, end cap material steel. Strong metal inner core. Collapse rating 210 bar (ISO 2941).

**Indicator options:**

Indicating differential pressure: 2.5 ± 0.3 bar or 5.0 ± 0.5 bar.  
 - visual M3.  
 - electrical T1.  
 - electronic F1(PNP).  
 - electronic F2(NPN).

For indicator details see catalogue section 6.

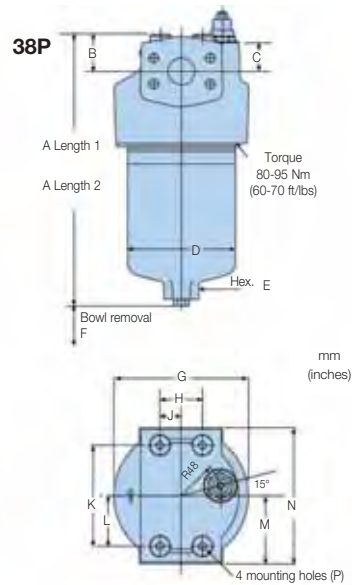
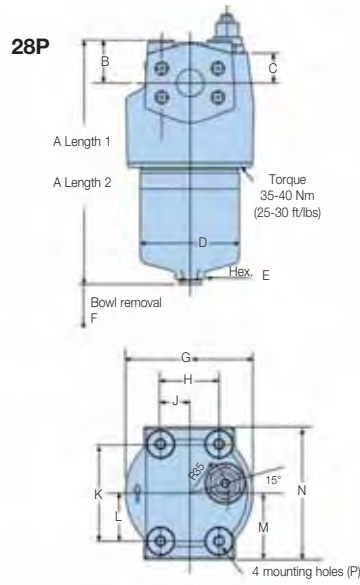
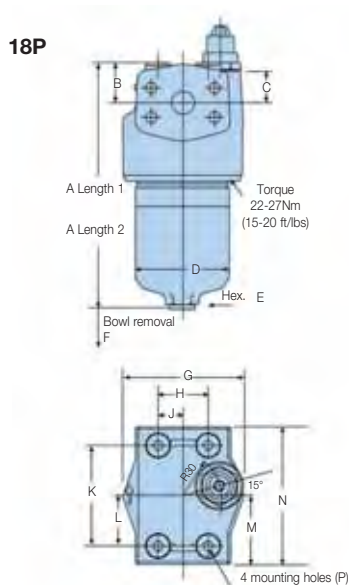
**Weights (kg):**

Model	Length 1	Length 2
18P	4.2	5.7
28P	6.7	9.2
38P	15.8	20.3

**Fluid compatibility:**

Suitable for use with mineral and vegetable oils, and some synthetic oils.  
 For other fluids, please consult Parker Filtration.

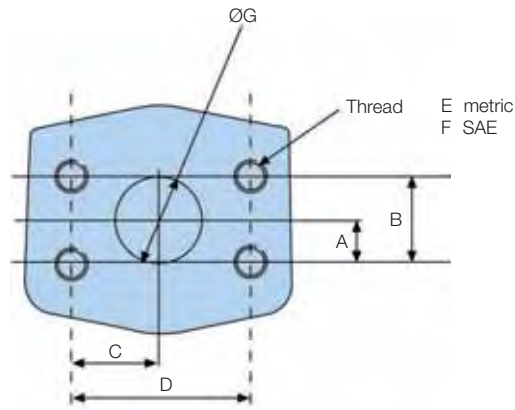
Model	A	B	C	D	E (A/F)	F	G	H	J	K	L	M	N	P
<b>18P-1</b>	198 (7.79)	32 (1.26)	26 (1.02)	75 (2.95)	24 (0.94)	100 (3.94)	98 (3.86)	40 (1.57)	20 (0.79)	80 (3.15)	40 (1.57)	55 (2.16)	110 (4.33)	M8 x 1.25 x12 deep
<b>18P-2</b>	293 (11.53)													
<b>28P-1</b>	228 (8.97)	40 (1.57)	29 (1.14)	93 (3.66)	24 (0.94)		120 (4.72)	55 (2.16)	27.5 (1.07)	90 (3.54)	45 (1.77)	62 (2.44)	124 (4.88)	M10 x 1.5 x11 deep
<b>28P-2</b>	337 (13.26)													
<b>38P-1</b>	329 (12.95)	44 (1.73)	35 (1.38)	128 (5.04)	36 (1.42)		160 (6.30)	50 (1.97)	25 (0.98)	120 (4.72)	60 (2.36)	81 (3.19)	162 (6.38)	M10 x 1.5 x12 deep
<b>38P-2</b>	448 (17.64)													



# 18/28/38P Series

## High Pressure Filters

### Flange Face Details



Model mm (inches)	A	B	C	D	E	F	G
<b>18P (3/4")</b>	11.9 (0.47)	23.8 (0.94)	25.4 (1.00)	50.8 (2.0)	M10 x 1.5-6H x 18 Deep	3/8-16 UNC-2B x 18 deep	19.0 (0.75)
<b>28P (1")</b>	14 (0.55)	27.8 (1.09)	28.0 (1.10)	57.1 (2.25)	M12 x 1.75-6H x 20 Deep	7/16-14 UNC-2B x 20 deep	25.4 (1.0)
<b>38P (1 1/4")</b>	15.7 (0.62)	31.7 (1.25)	33.0 (1.30)	66.7 (2.62)	M14 x 2-6H x 20 Deep	1/2-13 UNC-2B x 20 deep	31.8 (1.25)



## Pressure Drop Curves

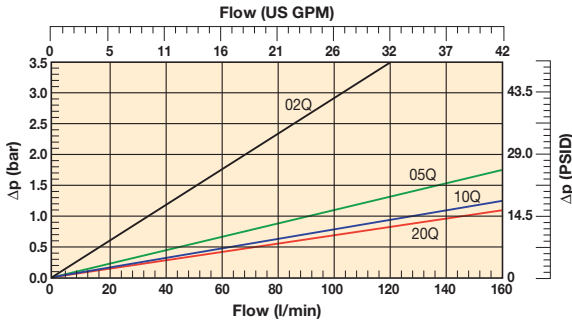
With 3.5 bar bypass the recommended initial pressure drop is max 1.2 bar.

With 7.0 bar bypass the recommended initial pressure drop is max 2.3 bar.

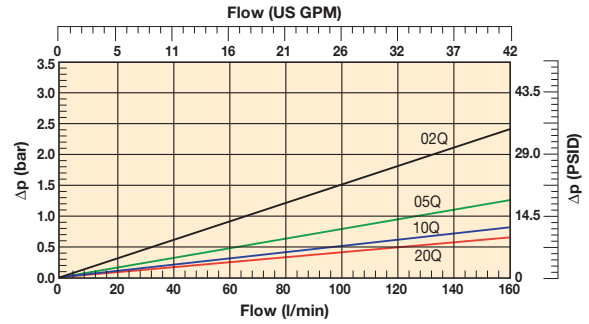
If the medium used has a viscosity different from 30 cSt, pressure drop over the filter can be estimated as follows:

The total  $\Delta p$  = housing  $\Delta p_h$  + (element  $\Delta p_e \times \text{working viscosity}/30$ ).

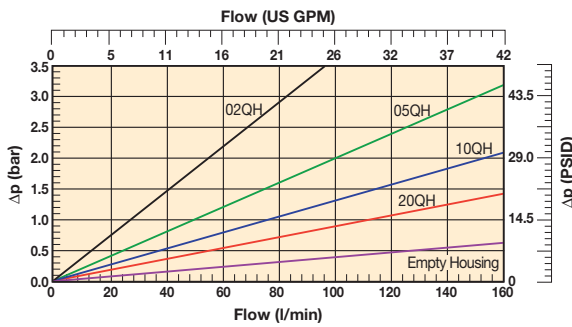
### 18P-1 Elements



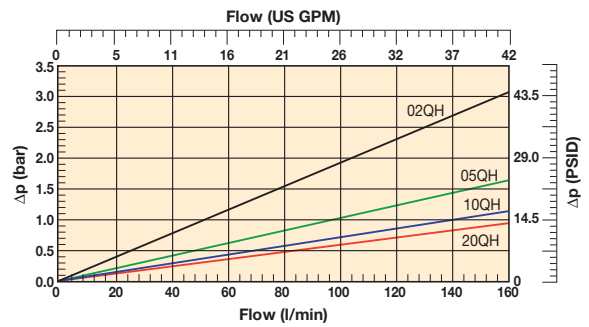
### 18P-2 Elements



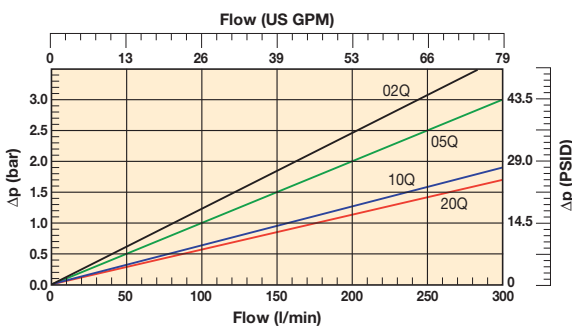
### 18P-1 Empty Housing and High Collapse



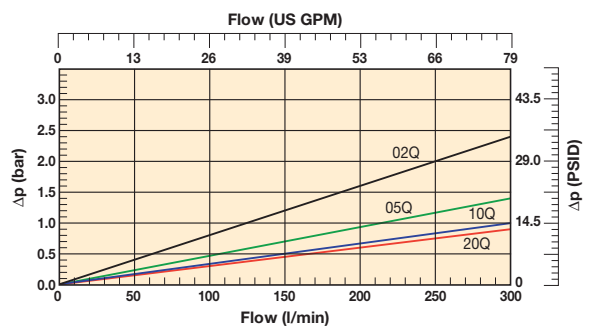
### 18P-2 High Collapse Elements



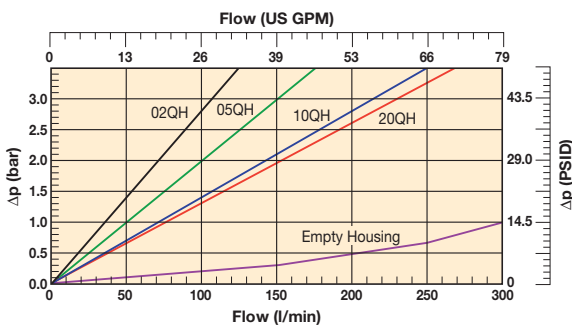
### 28P-1 Elements



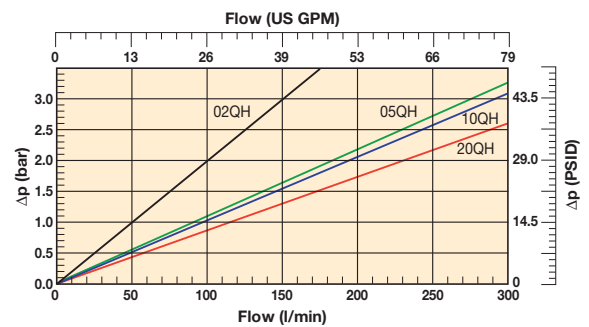
### 28P-2 Elements



### 28P-1 Empty Housing and High Collapse



### 28P-2 High Collapse Elements

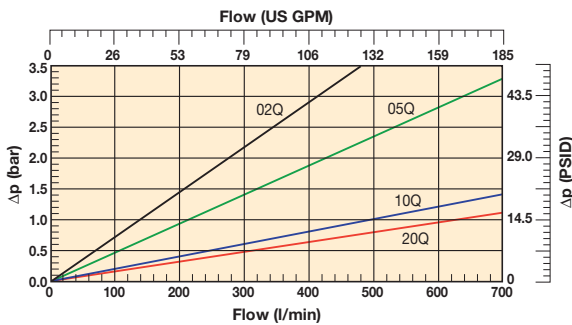


# 18/28/38P Series

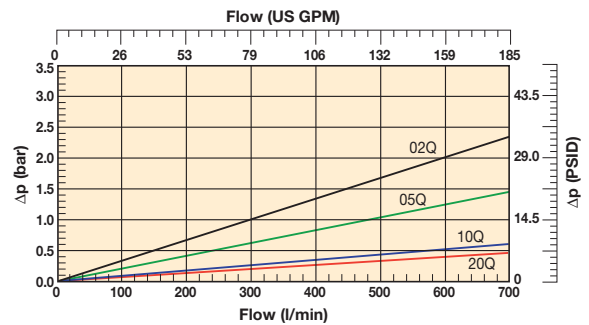
## High Pressure Filters

### Pressure Drop Curves (cont.)

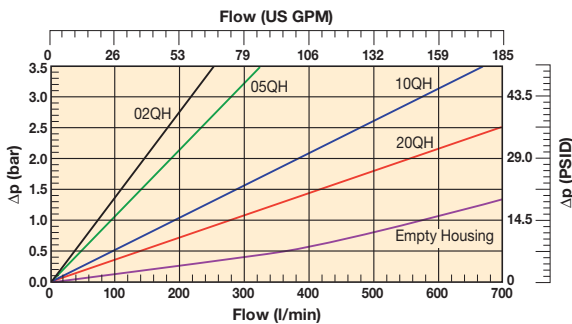
**38P-1 Elements**



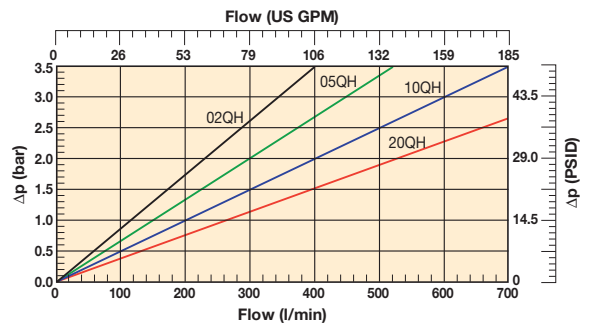
**38P-2 Elements**



**38P-1 Empty Housing and High Collapse**



**38P-2 High Collapse Elements**



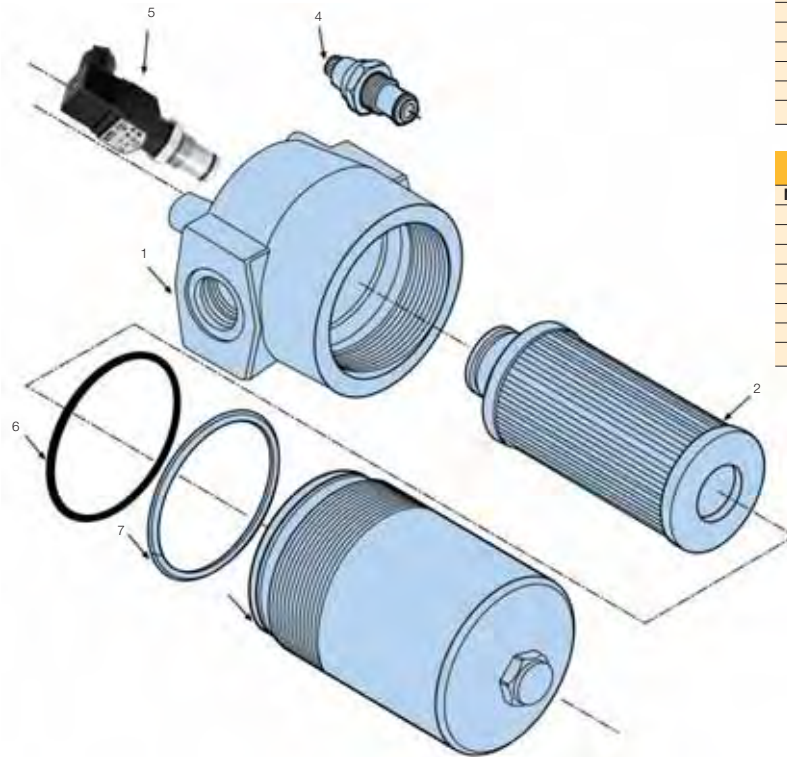
### Element Service

- A. Stop the system's power unit.
- B. Relieve any system pressure in the filter line.
- C. Drain the filter bowl if drain port option is provided.
- D. Rotate the bowl clockwise (left) and remove.
- E. Remove element by pulling downward with a slight twisting motion and discard.
- F. Check bowl o-ring and anti-extrusion ring for damage and replace if necessary.
- G. Lubricate element o-ring with system fluid and locate element in filter head.
- H. Install bowl by rotating counter-clockwise (right) and tighten to specified torque.
  - 18P - 22-27 Nm (16-20 ft. lbs.)
  - 28P - 35-40 Nm (25-30 ft. lbs.)
  - 38P - 80-95 Nm (60-70 ft. lbs.)
- I. Confirm there are no leaks after powering the system.

### Parts List

Index	Description	Part number
1	<b>Head Assembly</b>	
2	<b>Element</b>	see table on next page
3	<b>Bowl</b>	
	<b>Indicators</b>	
4	M3 – Visual auto reset; 2.5 bar M3 – Visual auto reset; 5.0 bar	
5	T1 – Electrical; 2.5 bar with DIN 43650 Connector T1 – Electrical; 5.0 bar with DIN 43650 Connector F1 – Electronic PNP; 2.5 bar with 4 LED F2 – Electronic NPN; 2.5 bar with 4 LED F1 – Electronic PNP; 5.0 bar with 4 LED F2 – Electronic NPN; 5.0 bar with 4 LED	
6	<b>Bowl Seal</b>	
7	<b>Bowl Anti-extrusion Ring</b>	
	<b>Seal Kits</b>	
	Seal kit 18P (std) – Nitrile	S04350
	Seal kit 18P (F3) – Fluoroelastomer	S04351
	Seal kit 28P (std) – Nitrile	S04352
	Seal kit 28P (F3) – Fluoroelastomer	S04353
	Seal kit 38P (std) – Nitrile	S04354
	Seal Kit 38P (F3) – Fluoroelastomer	S04355

## Element Service (cont.)



### Replacement element part numbers

Elements with Nitrile seals						
Model	18P-1	18P-2	28P-1	28P-2	38P-1	38P-2
02Q	G04242	G04250	G04258	G04266	G04274	G04282
05Q	G04243	G04251	G04259	G04267	G04275	G04283
10Q	G04244	G04252	G04260	G04268	G04276	G04284
20Q	G04245	G04253	G04261	G04269	G04277	G04285
02QH	G04290	G04298	G04306	G04314	G04322	G04330
05QH	G04291	G04299	G04307	G04315	G04323	G04331
10QH	G04292	G04300	G04308	G04316	G04324	G04332
20QH	G04293	G04301	G04309	G04317	G04325	G04333

Elements with Fluoroelastomer seals						
Model	18P-1	18P-2	28P-1	28P-2	38P-1	38P-2
02Q	G04246	G04254	G04262	G04270	G04278	G04286
05Q	G04247	G04255	G04263	G04271	G04279	G04287
10Q	G04248	G04256	G04264	G04272	G04280	G04288
20Q	G04249	G04257	G04265	G04273	G04281	G04289
02QH	G04294	G04302	G04310	G04318	G04326	G04334
05QH	G04295	G04303	G04311	G04319	G04327	G04335
10QH	G04296	G04304	G04312	G04320	G04328	G04336
20QH	G04297	G04305	G04313	G04321	G04329	G04337

## Ordering Information

### Standard products table

Part number	Supersedes	Flow (l/min)	Model number	Element length	Media rating (µ)	Seals	Indicator	Bypass settings	Ports	Replacement elements
18P110QBT1MG121	18P-1-10Q-TW6-98-B2B2-1	80	18P	Length 1	10	Nitrile	Electrical	7.0 bar	G <sup>3</sup> / <sub>4</sub> "	G04244
18P110QBM3MG121	18P-1-10Q-M2-98-B2B2-1	80	18P	Length 1	10	Nitrile	Visual	7.0 bar	G <sup>3</sup> / <sub>4</sub> "	G04244
18P120QBT1MG121	18P-1-20Q-TW6-98-B2B2-1	100	18P	Length 1	20	Nitrile	Electrical	7.0 bar	G <sup>3</sup> / <sub>4</sub> "	G04245
18P120QBM3MG121	18P-1-20Q-M2-98-B2B2-1	100	18P	Length 1	20	Nitrile	Visual	7.0 bar	G <sup>3</sup> / <sub>4</sub> "	G04245
18P210QBT1MG121	18P-2-10Q-TW6-98-B2B2-1	130	18P	Length 2	10	Nitrile	Electrical	7.0 bar	G <sup>3</sup> / <sub>4</sub> "	G04252
18P210QBM3MG121	18P-2-10Q-M2-98-B2B2-1	130	18P	Length 2	10	Nitrile	Visual	7.0 bar	G <sup>3</sup> / <sub>4</sub> "	G04252
18P220QBT1MG121	18P-2-20Q-TW6-98-B2B2-1	150	18P	Length 2	20	Nitrile	Electrical	7.0 bar	G <sup>3</sup> / <sub>4</sub> "	G04253
18P220QBM3MG121	18P-2-20Q-M2-98-B2B2-1	150	18P	Length 2	20	Nitrile	Visual	7.0 bar	G <sup>3</sup> / <sub>4</sub> "	G04253
28P110QBT1MG161	28P-1-10Q-TW6-98-C2C2-1	120	28P	Length 1	10	Nitrile	Electrical	7.0 bar	G1"	G04260
28P110QBM3MG161	28P-1-10Q-M2-98-C2C2-1	120	28P	Length 1	10	Nitrile	Visual	7.0 bar	G1"	G04260
28P120QBT1MG161	28P-1-20Q-TW6-98-C2C2-1	150	28P	Length 1	20	Nitrile	Electrical	7.0 bar	G1"	G04261
28P120QBM3MG161	28P-1-20Q-M2-98-C2C2-1	150	28P	Length 1	20	Nitrile	Visual	7.0 bar	G1"	G04261
28P210QBT1MG161	28P-2-10Q-TW6-98-C2C2-1	250	28P	Length 2	10	Nitrile	Electrical	7.0 bar	G1"	G04268
28P210QBM3MG161	28P-2-10Q-M2-98-C2C2-1	250	28P	Length 2	10	Nitrile	Visual	7.0 bar	G1"	G04268
38P110QBT1MG201	38P-1-10Q-TW6-98-D2D2-1	340	38P	Length 1	10	Nitrile	Electrical	7.0 bar	G1 <sup>1</sup> / <sub>2</sub> "	G04276
38P110QBM3MG201	38P-1-10Q-M2-98-D2D2-1	340	38P	Length 1	10	Nitrile	Visual	7.0 bar	G1 <sup>1</sup> / <sub>2</sub> "	G04276
38P120QBT1MG201	38P-1-20Q-TW6-98-D2D2-1	420	38P	Length 1	20	Nitrile	Electrical	7.0 bar	G1 <sup>1</sup> / <sub>2</sub> "	G04277
38P120QBM3MG201	38P-1-20Q-M2-98-D2D2-1	420	38P	Length 1	20	Nitrile	Visual	7.0 bar	G1 <sup>1</sup> / <sub>2</sub> "	G04277
38P210QBT1MG201	38P-2-10Q-TW6-98-D2D2-1	560	38P	Length 2	10	Nitrile	Electrical	7.0 bar	G1 <sup>1</sup> / <sub>2</sub> "	G04284
38P210QBM3MG201	38P-2-10Q-M2-98-D2D2-1	560	38P	Length 2	10	Nitrile	Visual	7.0 bar	G1 <sup>1</sup> / <sub>2</sub> "	G04284
38P220QBT1MG201	38P-2-20Q-TW6-98-D2D2-1	700	38P	Length 2	20	Nitrile	Electrical	7.0 bar	G1 <sup>1</sup> / <sub>2</sub> "	G04285
38P220QBM3MG201	38P-2-20Q-M2-98-D2D2-1	700	38P	Length 2	20	Nitrile	Visual	7.0 bar	G1 <sup>1</sup> / <sub>2</sub> "	G04285

Note: Filter assemblies ordered from the product configurator on the next page are on extended lead times. Where possible, please make your selection from the table above.

# 18/28/38P Series

## High Pressure Filters

### Ordering Information (cont.)

#### Product configurator

Box 1	Box 2	Box 3	Box 4	Box 5	Box 6	Box 7	Box 8
<b>38P</b>	<b>1</b>	<b>10Q</b>	<b>B</b>	<b>M3</b>	<b>M</b>	<b>G20</b>	<b>1</b>

#### Box 1

Code	
Model	Code
Small size high pressure filter, T-port	<b>18P</b>
Medium size high pressure filter, T-port	<b>28P</b>
Large size high pressure filter, T-port	<b>38P</b>

#### Highlights Key (Denotes part number availability)

<b>123</b>	Item is standard
<b>123</b>	Item is standard green option
<b>123</b>	Item is semi standard
123	Item is non standard

Note: Standard items are in stock, semi standard items are available within four weeks

#### Box 2

Filter type	
Length	Code
Length 1	<b>1</b>
Length 2	<b>2</b>

#### Box 3

Degree of filtration				
Element media	Glass fibre			
	Media code			
Microglass III element	<b>02Q</b>	<b>05Q</b>	<b>10Q</b>	<b>20Q</b>
High collapse element	<b>02QH</b>	<b>05QH</b>	<b>10QH</b>	<b>20QH</b>

#### Box 4

Seal type	
Seal material	Code
Nitrile	<b>B</b>
Fluoroelastomer	V

#### Box 5

Indicator	
	Code
No indicator port	<b>N</b>
Visual indicator	<b>M3</b>
Electrical indicator	<b>T1</b>
Plugged with steel plug	P
Electronic 4 LED, PNP, N.O.	F1
Electronic 4 LED, NPN, N.O.	F2
Electronic 4 LED, PNP, N.C.	F3
Electronic 4 LED, NPN, N.C.	F4

#### Box 6

Bypass and indicator settings		
Bypass valve	Indicator	Code
3.5 bar	2.5 bar	<b>K</b>
7.0 bar	5.0 bar	<b>M</b>
No bypass	5.0 bar	<b>M</b>
No bypass	No indicator	<b>X</b>

+ Box 8: code 2  
+ Box 8: code 2

When filter includes a bypass valve but not an indicator, code denotes bypass setting.

#### Box 7

Filter connection	
Ports	Code
18P: Thread G 3/4	<b>G12</b>
Thread SAE 12	S12
Thread M27, ISO 6149	M27
SAE flange 3/4" 6000-M	H12
SAE flange 3/4" 6000	F12
28P: Thread G 1	<b>G16</b>
Thread SAE 16	S16
Thread M33, ISO 6149	M33
SAE flange 1" 6000-M	H16
SAE flange 1" 6000	F16
38P: Thread G 1 1/4	<b>G20</b>
Thread G 1 1/2	<b>G24</b>
Thread SAE 20	S20
Thread SAE 24	S24
Thread M42, ISO 6149	M42
Thread M48, ISO 6149	M48
SAE flange 1 1/2" 6000-M	<b>H20</b>
SAE flange 1 1/4" 6000	F20

#### Box 8

Options	
Options	Code
Standard	<b>1</b>
No bypass	<b>2</b>

#### Nominal flow (l/min) at viscosity 30 cSt

Filter model	02Q	05Q	10Q	20Q
18P-1	35	60	80	100
18P-2	70	110	130	150
28P-1	80	100	120	150
28P-2	140	200	250	300
38P-1	140	220	340	420
38P-2	320	440	560	700

#### 18/28/38P Series Seal Kits

Part Number	Description
<b>S04350</b>	NITRILE SEAL KIT 18P
<b>S04351</b>	FLUOROELASTOMER SEAL KIT 18P
<b>S04352</b>	NITRILE SEAL KIT 28P
<b>S04353</b>	FLUOROELASTOMER SEAL KIT 28P
<b>S04354</b>	NITRILE SEAL KIT 38P
<b>S04355</b>	FLUOROELASTOMER SEAL KIT 38P

Degree of filtration						Code	
Average filtration beta ratio $\beta$ (ISO 16889) / particle size $\mu\text{m}$ [c]							
$\beta_x(c)=2$	$\beta_x(c)=10$	$\beta_x(c)=75$	$\beta_x(c)=100$	$\beta_x(c)=200$	$\beta_x(c)=1000$	Disposible Microglass III	High collapse element
% efficiency, based on the above beta ratio ( $\beta_x$ )							
<b>50.0%</b>	<b>90.0%</b>	<b>98.7%</b>	<b>99.0%</b>	<b>99.5%</b>	<b>99.9%</b>		
N/A	N/A	N/A	N/A	N/A	4.5	<b>02Q</b>	<b>02QH</b>
N/A	N/A	4.5	5	6	7	<b>05Q</b>	<b>05QH</b>
N/A	6	8.5	9	10	12	<b>10Q</b>	<b>10QH</b>
6	11	17	18	20	22	<b>20Q</b>	<b>20QH</b>

Note 1: Part numbers featured with bold highlighted codes will ensure a 'standard' product selection.

Note 2: Alternate displayed part number selection will require you to contact Parker Filtration for availability.



# 70/70 Eco Series

High Pressure Filters

Max 450 l/min - 420 bar



When flexibility meets reducing environmental impact

**A proven filter offering reduced space and piping**

The 70/70 Eco Series features a range of head and bowl sizes and connection options. Microglass III glassfibre and Ecoglass III media is available. Maximum pressure 420 bar. Maximum flow 450 l/min. A proven, strong and robust filter for heavy duty applications.



## Contact Information:

Parker Hannifin  
**Hydraulic Filter Division Europe**

**European Product Information Centre**  
Freephone: 00800 27 27 5374  
(from AT, BE, CH, CZ, DE, EE, ES, FI, FR, IE, IT, PT, SE, SK, UK)  
filtrationinfo@parker.com

www.parkerhfde.com

## Product Features:

- 70/70 Eco features a range of head and bowl sizes and connection options.
- Microglass III glassfibre and Ecoglass III media is available.
- Maximum pressure 420 bar. Maximum flow 450 l/min.
- A proven filter offering high levels of system protection.

# 70/70 Eco Series

## High Pressure Filters

### Features & Benefits

Features	Advantages	Benefits
Fatigue tested to full pressure rating	Strong and robust housing for heavy duty applications	Reliable and continuous operation both in mobile and industrial applications
Several head options and connection sizes	Easy mounting	Reduced space and piping Right filter for each application
Several bowl lengths	Optimised sizing	Efficient filtration
Microglass III replacement elements	Multi-layered design produced high capacity and efficiency	Great performance value
	Wire support reduces pleat bunching, keeps performance consistent	Reliable performance throughout element life Reduces downtime, maximises element life
Coreless Ecoglass III replacement elements	No metal content in element	Environmentally friendly disposal by incineration
	Reduced overall weight of 50%	Lower element replacement costs
	Easy compaction of used elements	Lower disposal costs
	Eco adaptors available	Retrofit coreless design to housings already installed
Visual, electrical and electronic indicators available	Check element condition at a glance	Optimise element life, prevent bypassing
	Right style for the application	Matches your system electrical connections

### Typical Applications

- Forestry equipment
- Industrial power units
- Pulp and paper
- Port handling equipment
- Mining and quarrying equipment

### The Parker Filtration 70/70 Eco Series High Pressure Filters.

High quality 420 bar in-line pressure filters designed to offer high levels of protection at flows up to 450 l/min.

Dirt sensitive systems can be protected with confidence using the 70 Series high pressure filters.

The 70 Series also available with environmentally friendly Ecoglass III elements.



## Specification

### Pressure ratings:

Maximum allowable operating pressure 420 bar.  
Filter housing pressure pulse fatigue tested:  $10^6$  pulses 0 - 414 bar.

### Connections:

Threads G1, G1 $\frac{1}{4}$ , G1 $\frac{1}{2}$  (ISO 228/1).  
or flanges 1 $\frac{1}{4}$ " SAE 3000-M, 1 $\frac{1}{2}$ " SAE 3000-M, 1 $\frac{1}{4}$ " SAE 6000-M, 1 $\frac{1}{2}$ " SAE 6000-M.

### Filter housing:

Head material cast iron (GSI).  
Bowl material steel. Max torque 40 Nm.

### Seal material:

Nitrile or Fluoroelastomer.

### Operating temperature range:

Seal material Nitrile: -40°C to +100°C.  
Seal material Fluoroelastomer: -20°C to +120°C.

### Bypass valve:

Opening pressure 3.5 bar.

### Filter element:

#### Degree of filtration:

Determined by Multipass-test according to ISO 16889.

#### Flow fatigue characteristics:

Filter media is supported so that the optimal fatigue life is achieved (ISO 3724).

### Microglass III:

Supported with epoxy coated metal wire mesh, end cap material reinforced composite and metal inner core.  
Collapse rating 20 bar (ISO 2941).

### Ecoglass III:

Supported with plastic net, end cap material reinforced composite. No metal parts.

Collapse rating 10 bar (ISO 2941).

Filter element can only be used together with reusable FEA Eco-adapter.

Note: Ecoglass III contributes to ISO 14001 quality.

### High collapse elements:

(To be used when no bypass function in filter housing).

Microglass III media supported with epoxy coated metal wire mesh on upstream and stainless steel on downstream, end cap material steel. Strong metal inner core. Collapse rating 210 bar (ISO 2941).

### Indicator options:

Indicating differential pressure:  $2.5 \pm 0.3$  bar or  $7.0 \pm 0.5$  bar.

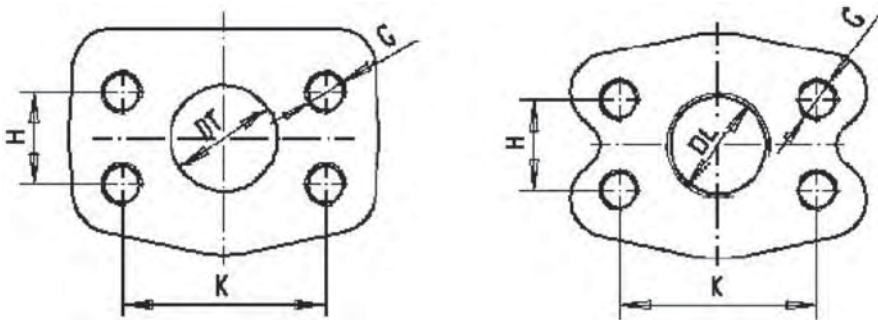
2.5 bar indicators to be used with 3.5 bar bypass valve and 7.0 bar indicators with no bypass function.

- visual M3.
- electrical T1.
- electronic F1 (PNP).
- electronic F2 (NPN).

For indicator details see catalogue section 6.

### Fluid compatibility:

Suitable for use with mineral and vegetable oils, and some synthetic oils. For other fluids, please consult Parker Filtration.



SAE Flange Dimensions					
Type	K	H	DL	DT	G
1.1/4 SAE 3000 psi	58,7	30,2	Ø 36	31,8	M10-15
1.1/2 SAE 3000 psi	69,9	35,7	G1.1/4	38,1	M12-18
1.1/4 SAE 6000 psi	66,7	31,7	Ø 30,3	31,8	M14-19
1.1/4 SAE 6000 psi	79,4	36,5	G1.1/4	38,1	M16-21

Spare Eco adaptors that are needed for use with or changing to Eco elements are as follows

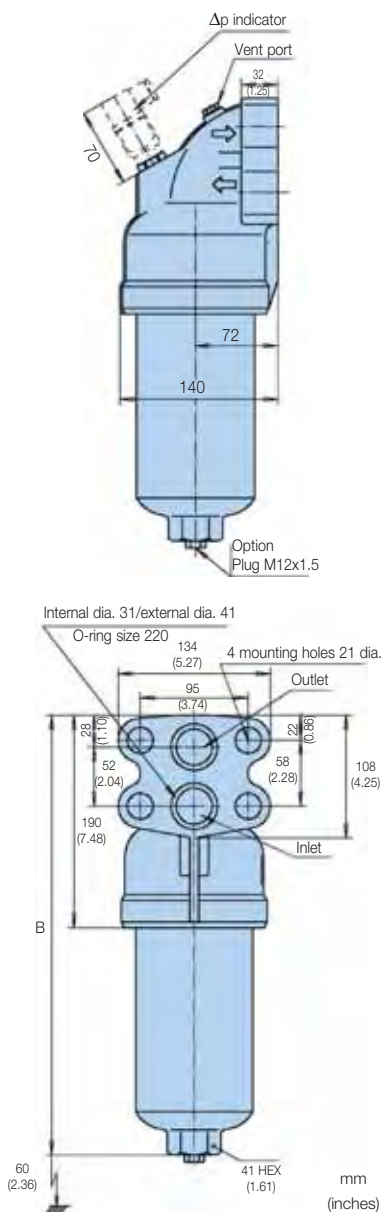
Filter Type	Eco Adaptor	Part Number
70-1	FEA7005.B	911042090
70-2	FEA7006.B	911042087
70-3	FEA7007.B	911042091
70-4	FEA7008.B	911042092

# 70/70 Eco Series

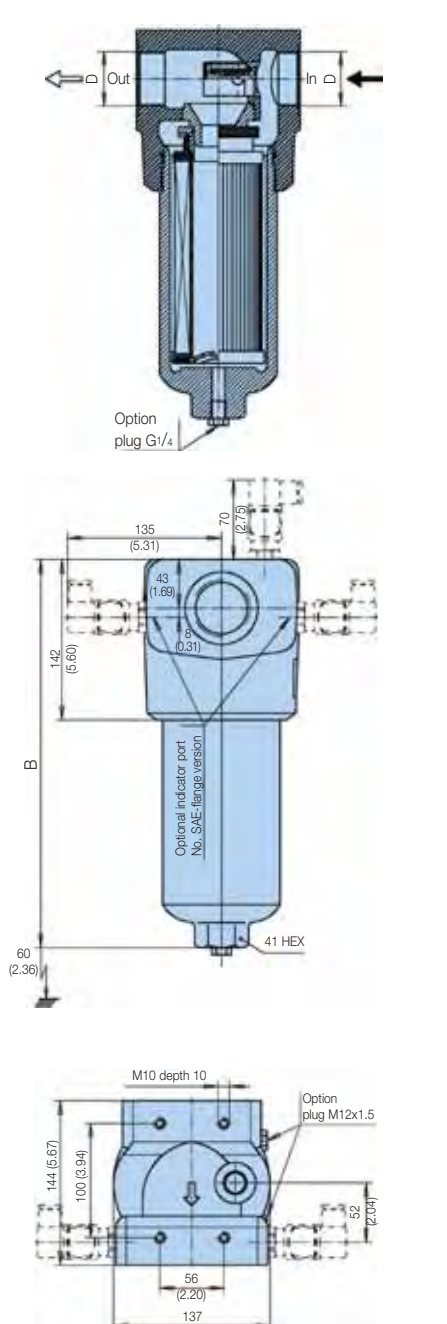
## High Pressure Filters

### Specification

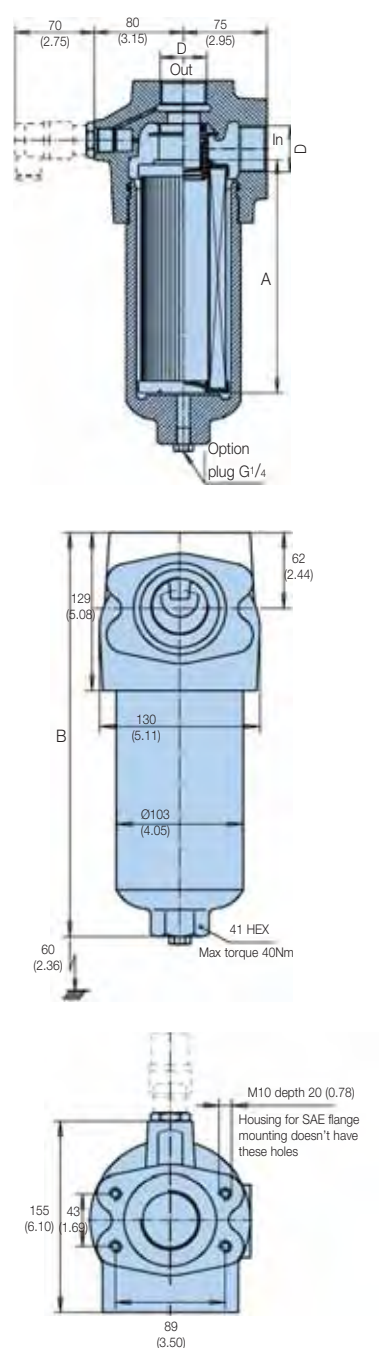
**70B**



**70T**



**70L**



Weights (kg)			
Type	70T	70L	70B
Length 1	14	10.5	11.5
Length 2	16.5	13	14
Length 3	19	15.5	16.5
Length 4	22	18.5	19.5

Type	A	B 70T	B 70B	B 70L	Max working pressure	Port D
Length 1	116 (4.57)	249 (9.80)	295 (11.61)	235 (9.25)	420 bar	G1, G1 <sup>1</sup> / <sub>4</sub> or G1 <sup>1</sup> / <sub>2</sub> Flange 1 <sup>1</sup> / <sub>2</sub> SAE 3000-M Flange 1 <sup>1</sup> / <sub>4</sub> SAE 3000-M Flange 1 <sup>1</sup> / <sub>2</sub> SAE 6000-M Flange 1 <sup>1</sup> / <sub>4</sub> SAE 6000-M
Length 2	208 (8.19)	342 (13.46)	390 (15.35)	330 (13.00)		
Length 3	329 (12.95)	462 (18.19)	510 (20.08)	450 (17.72)		
Length 4	428 (16.85)	562 (22.12)	610 (24.01)	550 (21.65)	350 bar	





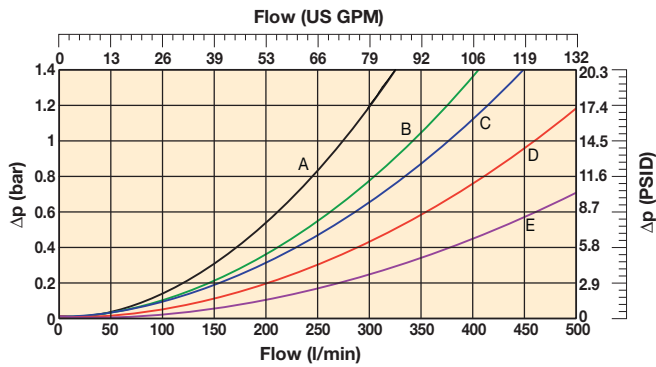
## Pressure Drop Curves

With 3.5 bar bypass the recommended initial pressure drop is max 1.2 bar.

If the medium used has a viscosity different from 30 cSt, pressure drop over the filter can be estimated as follows:

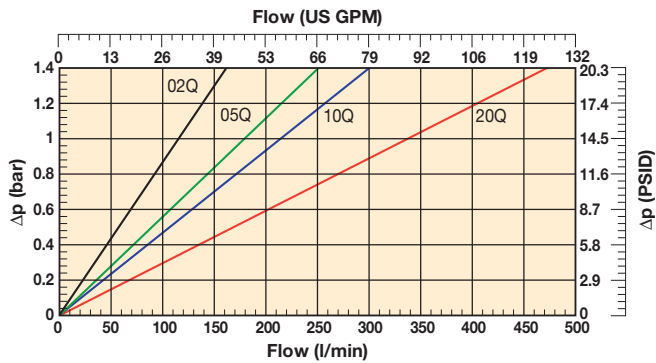
The total  $\Delta p$  = housing  $\Delta p_h$  + (element  $\Delta p_e \times \text{working viscosity}/30$ ).

### 70 Series Empty Housing

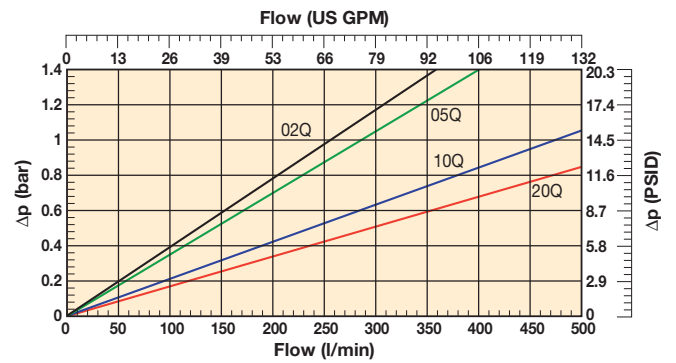


- A: 70T with G16 connections
- B: 70T with G20 connections and 70L with G16 connections
- C: 70L with G20 connections and 70B
- D: 70T with G24 connections
- E: 70L with G24 connections

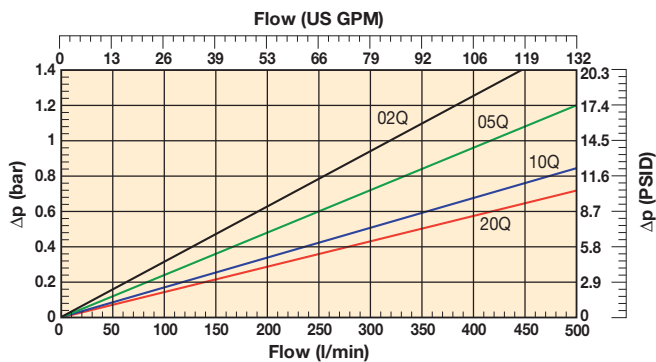
### 70-1 Elements with Microglass III



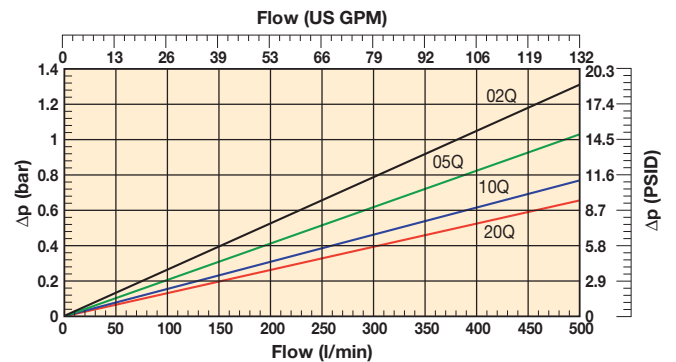
### 70-2 Elements with Microglass III



### 70-3 Elements with Microglass III



### 70-4 Elements with Microglass III

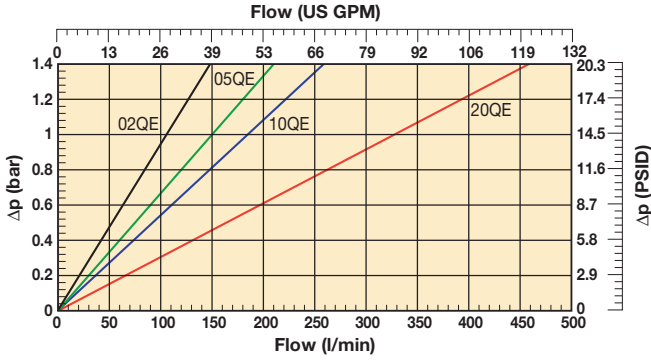


# 70/70 Eco Series

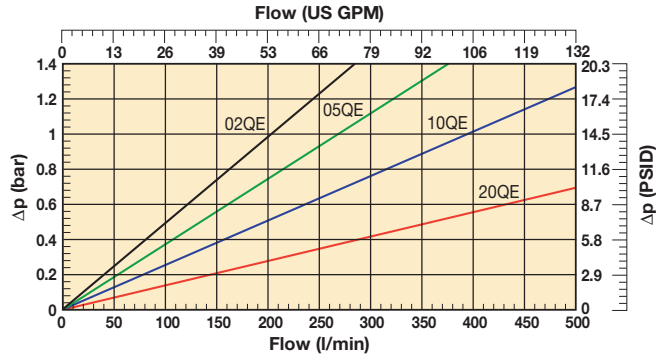
## High Pressure Filters

### Pressure Drop Curves (cont.)

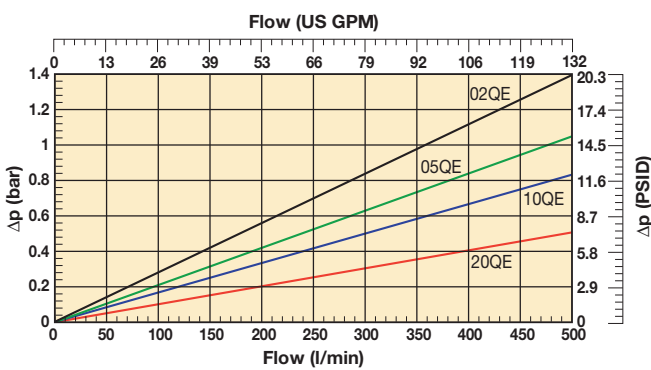
70-1 Elements with Ecoglass III



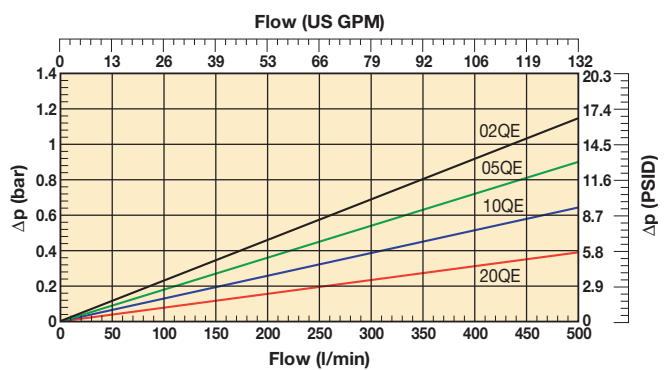
70-2 Elements with Ecoglass III



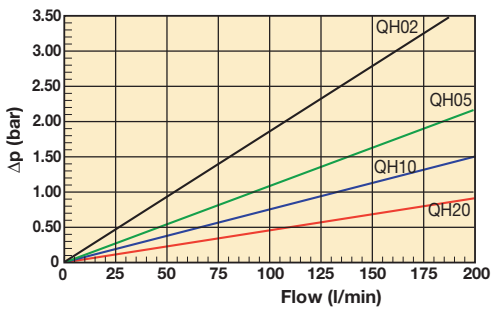
70-3 Elements with Ecoglass III



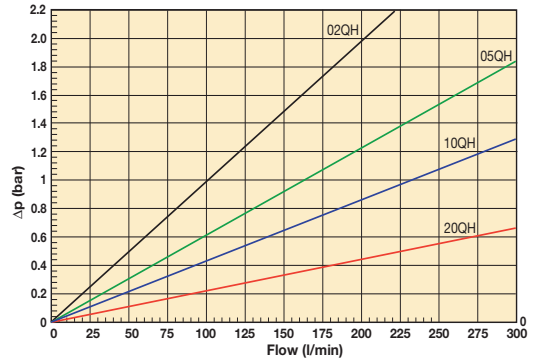
70-4 Elements with Ecoglass III



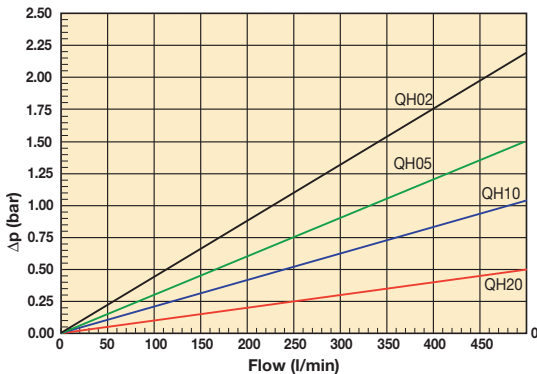
70-1 PRESSURE DROP CURVE  
High Collapse FC7005



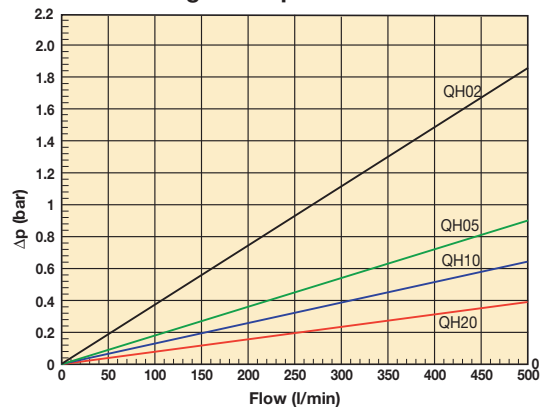
PRESSURE DROP CURVE  
70-2 High Collapse FC7006



70-3 PRESSURE DROP CURVE  
High Collapse FC7007



70-4 PRESSURE DROP CURVE  
High Collapse FC7008



## Ordering Information

Standard products table

Part number	Supersedes	Flow (l/min)	Model number	Element length	Media rating (µ)	Seals	Indicator	Bypass settings	Ports	Replacement elements	Supersedes
70L110QBPKG161	FF7005.Q010.BS35.GL16	150	70L	1	10	Nitrile	Plugged	3.5 bar	G1"	938773Q	FC7005.Q010.BK
70L120QBPKG161	FF7005.Q020.BS35.GL16	230	70L	1	20	Nitrile	Plugged	3.5 bar	G1"	938774Q	FC7005.Q020.BK
70L210QBPKG201	FF7006.Q010.BS35.GL20	280	70L	2	10	Nitrile	Plugged	3.5 bar	G1½"	938777Q	FC7006.Q010.BK
70L220QBPKG201	FF7006.Q020.BS35.GL20	300	70L	2	20	Nitrile	Plugged	3.5 bar	G1½"	938778Q	FC7006.Q020.BK
70L310QBPKG241	FF7007.Q010.BS35.GL24	400	70L	3	10	Nitrile	Plugged	3.5 bar	G1½"	938781Q	FC7007.Q010.BK
70L320QBPKG241	FF7007.Q020.BS35.GL24	430	70L	3	20	Nitrile	Plugged	3.5 bar	G1½"	938782Q	FC7007.Q020.BK
70L410QBPKG241	FF7008.Q010.BS35.GL24	430	70L	4	10	Nitrile	Plugged	3.5 bar	G1½"	938785Q	FC7008.Q010.BK
70L420QBPKG241	FF7008.Q020.BS35.GL24	450	70L	4	20	Nitrile	Plugged	3.5 bar	G1½"	938786Q	FC7008.Q020.BK
70L110QEBPKG161	FF7005.QE10.BS35.GL16	150	70L	1	10	Nitrile	Plugged	3.5 bar	G1"	938789Q	FC7005.QE10.BK
70L120QEBPKG161	FF7005.QE20.BS35.GL16	230	70L	1	20	Nitrile	Plugged	3.5 bar	G1"	938790Q	FC7005.QE20.BK
70L210QEBPKG201	FF7006.QE10.BS35.GL20	280	70L	2	10	Nitrile	Plugged	3.5 bar	G1½"	938793Q	FC7006.QE10.BK
70L220QEBPKG201	FF7006.QE20.BS35.GL20	300	70L	2	20	Nitrile	Plugged	3.5 bar	G1½"	938794Q	FC7006.QE20.BK
70L310QEBPKG241	FF7007.QE10.BS35.GL24	400	70L	3	10	Nitrile	Plugged	3.5 bar	G1½"	938797Q	FC7007.QE10.BK
70L320QEBPKG241	FF7007.QE20.BS35.GL24	430	70L	3	20	Nitrile	Plugged	3.5 bar	G1½"	938798Q	FC7007.QE20.BK
70L410QEBPKG241	FF7008.QE10.BS35.GL24	430	70L	4	10	Nitrile	Plugged	3.5 bar	G1½"	938801Q	FC7008.QE10.BK
70L420QEBPKG241	FF7008.QE20.BS35.GL24	450	70L	4	20	Nitrile	Plugged	3.5 bar	G1½"	938802Q	FC7008.QE20.BK
70T110QBPKG161	FF7005.Q010.BS35.GT16	150	70T	1	10	Nitrile	Plugged	3.5 bar	G1"	938773Q	FC7005.Q010.BK
70T120QBPKG161	FF7005.Q020.BS35.GT16	200	70T	1	20	Nitrile	Plugged	3.5 bar	G1"	938774Q	FC7005.Q020.BK
70T210QBPKG201	FF7006.Q010.BS35.GT20	260	70T	2	10	Nitrile	Plugged	3.5 bar	G1½"	938777Q	FC7006.Q010.BK
70T220QBPKG201	FF7006.Q020.BS35.GT20	280	70T	2	20	Nitrile	Plugged	3.5 bar	G1½"	938778Q	FC7006.Q020.BK
70T310QBPKG241	FF7007.Q010.BS35.GT24	360	70T	3	10	Nitrile	Plugged	3.5 bar	G1½"	938781Q	FC7007.Q010.BK
70T320QBPKG241	FF7007.Q020.BS35.GT24	380	70T	3	20	Nitrile	Plugged	3.5 bar	G1½"	938782Q	FC7007.Q020.BK
70T410QBPKG241	FF7008.Q010.BS35.GT24	360	70T	4	10	Nitrile	Plugged	3.5 bar	G1½"	938785Q	FC7008.Q010.BK
70T420QBPKG241	FF7008.Q020.BS35.GT24	380	70T	4	20	Nitrile	Plugged	3.5 bar	G1½"	938786Q	FC7008.Q020.BK
70T110QEBPKG161	FF7005.QE10.BS35.GT16	150	70T	1	10	Nitrile	Plugged	3.5 bar	G1"	938789Q	FC7005.QE10.BK
70T120QEBPKG161	FF7005.QE20.BS35.GT16	200	70T	1	20	Nitrile	Plugged	3.5 bar	G1"	938790Q	FC7005.QE20.BK
70T210QEBPKG201	FF7006.QE10.BS35.GT20	260	70T	2	10	Nitrile	Plugged	3.5 bar	G1½"	938793Q	FC7006.QE10.BK
70T220QEBPKG201	FF7006.QE20.BS35.GT20	280	70T	2	20	Nitrile	Plugged	3.5 bar	G1½"	938794Q	FC7006.QE20.BK
70T310QEBPKG241	FF7007.QE10.BS35.GT24	360	70T	3	10	Nitrile	Plugged	3.5 bar	G1½"	938797Q	FC7007.QE10.BK
70T320QEBPKG241	FF7007.QE20.BS35.GT24	380	70T	3	20	Nitrile	Plugged	3.5 bar	G1½"	938798Q	FC7007.QE20.BK
70T410QEBPKG241	FF7008.QE10.BS35.GT24	360	70T	4	10	Nitrile	Plugged	3.5 bar	G1½"	938801Q	FC7008.QE10.BK
70T420QEBPKG241	FF7008.QE20.BS35.GT24	380	70T	4	20	Nitrile	Plugged	3.5 bar	G1½"	938802Q	FC7008.QE20.BK

Note: Filter assemblies ordered from the product configurator on next page are on extended lead times. Where possible, please make your selection from the table above.

CN Series Seal Kits	
Part Number	Description
911045021	NITRILE SEAL KIT 70/70 Eco
911045051	FLUOROELASTOMER SEAL KIT 70/70 Eco

# 70/70 Eco Series

## High Pressure Filters

### Ordering Information (cont.)

#### Product configurator

Box 1	Box 2	Box 3	Box 4	Box 5	Box 6	Box 7	Box 8
<b>70L</b>	<b>3</b>	<b>10Q</b>	<b>B</b>	<b>M3</b>	<b>K</b>	<b>G24</b>	<b>1</b>

#### Box 1

Code	
Model	Code
High pressure filter with L-port	<b>70L</b>
High pressure filter with T-port	<b>70T</b>
High pressure filter with side manifold mounting	70B

#### Box 2

Filter type	
Length	Code
Length 1	<b>1</b>
Length 2	<b>2</b>
Length 3	<b>3</b>
Length 4	<b>4</b>

#### Box 3

Degree of filtration				
Element media	Glass fibre			
	Media code			
Microglass III element	<b>02Q</b>	<b>05Q</b>	<b>10Q</b>	<b>20Q</b>
Ecoglass III element	<b>02QE</b>	<b>05QE</b>	<b>10QE</b>	<b>20QE</b>
High collapse element	02QH	05QH	10QH	20QH

Note: When using Ecoglass III elements reusable Eco-adaptor is required

#### Box 4

Seal type	
Seal material	Code
Nitrile	<b>B</b>
Fluoroelastomer	V

#### Box 5

Indicator	
	Code
Plugged with steel plug	<b>P</b>
Visual indicator	<b>M3</b>
Electrical indicator	<b>T1</b>
Electronic 4 LED, PNP, N.O.	F1
Electronic 4 LED, NPN, N.O.	F2
Electronic 4 LED, PNP, N.C.	F3
Electronic 4 LED, NPN, N.C.	F4

#### Box 6

Bypass and indicator settings		
Bypass valve	Indicator	Code
3.5 bar	2.5 bar	<b>K</b>
No bypass	7.0 bar	N
No bypass	No indicator (P)	X

+ Box 8: code 2

+ Box 8: code 2

When filter includes a bypass valve but not an indicator, code denotes bypass setting.

#### Box 7

Filter connection					
Connections	Code	Length 1	Length 2	Length 3	Length 4
Thread G 1	<b>G16</b>	<b>S</b>	<b>S</b>	x	x
Thread G 1 1/4	<b>G20</b>	<b>S</b>	<b>S</b>	<b>S</b>	<b>S</b>
Thread G 1 1/2	<b>G24</b>	x	<b>S</b>	<b>S</b>	<b>S</b>
SAE flange 1 1/4" 3000-M	R20	x	x	x	x
SAE flange 1 1/2" 3000-M	R24	x	x	x	x
SAE flange 1 1/4" 6000-M	H20	x	x	x	x
SAE flange 1 1/2" 6000-M	H24	x	x	x	x
Side manifold (70B only)	X32	x	x	x	x

Availability: **S** = standard product  
x = non-standard, ask for availability

#### Box 8

Options	
Options	Code
Standard	<b>1</b>
No bypass	2
Drain port	4
70T: side indicator ports	6
70T: options 2 + 6	8

Options 6 and 8: in 70T model there is an option for 2 x indicator ports on filter outlet flange (standard indicator port not machined)  
P: both side indicator ports plugged with steel plug  
M3 or other indicator chosen: right side (in flow direction) port plugged with a plastic plug, left with a steel plug

Nominal flow (l/min) at viscosity 30 cSt						
Filter length	Media	G16 T-port	G16 L-port & G20 T-port	G20 L-port & Side manifold	G24 T-port	G24 L-port
Length 1	02Q/02QE	80	80	80	80	80
	05Q/05QE	120	120	120	120	120
	10Q/10QE	150	150	150	150	150
	20Q/20QE	200	230	230	230	230
Length 2	02Q/02QE	160	160	160	160	160
	05Q/05QE	180	200	200	200	200
	10Q/10QE	220	260	280	300	320
	20Q/20QE	240	280	300	330	350
Length 3	02Q/02QE	200	220	220	220	220
	05Q/05QE	220	250	280	280	280
	10Q/10QE	240	280	300	350	400
	20Q/20QE	250	300	320	380	430
Length 4	02Q/02QE	220	250	270	270	270
	05Q/05QE	230	260	300	330	330
	10Q/10QE	250	280	330	360	430
	20Q/20QE	260	300	350	380	450

Replacement elements with nitrile seals				
Media	Length 1	Length 2	Length 3	Length 4
02Q	<b>938771Q</b>	<b>938775Q</b>	<b>938779Q</b>	<b>938783Q</b>
05Q	<b>938772Q</b>	<b>938776Q</b>	<b>938780Q</b>	<b>938784Q</b>
10Q	<b>938773Q</b>	<b>938777Q</b>	<b>938781Q</b>	<b>938785Q</b>
20Q	<b>938774Q</b>	<b>938778Q</b>	<b>938782Q</b>	<b>938786Q</b>
02QE	<b>938787Q</b>	<b>938791Q</b>	<b>938795Q</b>	<b>938799Q</b>
05QE	<b>938788Q</b>	<b>938792Q</b>	<b>938796Q</b>	<b>938800Q</b>
10QE	<b>938789Q</b>	<b>938793Q</b>	<b>938797Q</b>	<b>938801Q</b>
20QE	<b>938790Q</b>	<b>938794Q</b>	<b>938798Q</b>	<b>938802Q</b>
02QH	938803Q	938807Q	938811Q	938815Q
05QH	938804Q	938808Q	938812Q	938816Q
10QH	938805Q	938809Q	938813Q	938817Q
20QH	938806Q	938810Q	938814Q	938818Q

#### Highlights Key (Denotes part number availability)

<b>123</b>	Item is standard
<b>123</b>	Item is standard green option
<b>123</b>	Item is semi standard
123	Item is non standard

Note: Standard items are in stock, semi standard items are available within four weeks

Degree of filtration						Code		
Average filtration beta ratio $\beta$ (ISO 16889) / particle size $\mu\text{m}$ [c]						Disposable Microglass III	Metal free Ecoglass III	High collapse element
Bx(c)=2	Bx(c)=10	Bx(c)=75	Bx(c)=100	Bx(c)=200	Bx(c)=1000			
% efficiency, based on the above beta ratio ( $\beta$ x)						02Q	02QE	02QH
50.0%	90.0%	98.7%	99.0%	99.5%	99.9%	<b>05Q</b>	<b>05QE</b>	05QH
N/A	N/A	N/A	N/A	N/A	4.5	<b>10Q</b>	<b>10QE</b>	10QH
N/A	N/A	4.5	5	6	7	<b>20Q</b>	<b>20QE</b>	20QH
N/A	6	8.5	9	10	12			
6	11	17	18	20	22			

Note 1: Part numbers featured with bold highlighted codes will ensure a 'standard' product selection.  
Note 2: Alternate displayed part number selection will require you to contact Parker Filtration for availability.



# 22PD/32PD Series

High Pressure Duplex Filters

Max 260 l/min - 210 bar



## A duplex design with a wide application capability

**Designed to offer continuous operation during element change**

The 22PD/32PD Series utilizes a duplex design with integrated balancing valve and vent ports. Microglass III glassfibre media is standard. Maximum pressure 210 bar. Maximum flow 260 l/min. A changeover valve operates on the upstream side of the filter, ensuring a contamination free system.



## Contact Information:

Parker Hannifin  
**Hydraulic Filter Division Europe**

**European Product Information Centre**  
Freephone: 00800 27 27 5374  
(from AT, BE, CH, CZ, DE, EE, ES, FI, FR, IE, IT, PT, SE, SK, UK)  
filtrationinfo@parker.com

www.parkerhfde.com

## Product Features:

- 22PD/32PD utilizes a duplex design with integrated balancing valve and vent ports.
- Microglass III glassfibre media is standard.
- Maximum pressure 210 bar. Maximum flow 260 l/min.
- Designed to offer continuous operation during element change.

# 22PD/32PD Series

## High Pressure Duplex Filters

### Features & Benefits

Features	Advantages	Benefits
Duplex design	Element service possible during operation	Allows to keep machine running with full contamination protection
Integrated balancing valve	No external piping required	Safety and reliability
Vent ports	Purges all trapped air in filter	Get the maximum performance from the elements Prevents a "flabby" system
Microglass III replacement elements	Multi-layered design produced high capacity and efficiency	Great performance value Reliable performance throughout element life
	Wire support reduces pleat bunching, keeps performance consistent	Reduces downtime, maximises element life
Visual, electrical and electronic indicators available	Check element condition at a glance	Optimises element life, prevents bypassing
	Right style for the application	Matches your system electrical connections

### Typical Applications

- Ship steering systems
- Continuous operation industrial systems
- High flow flushing systems

### The Parker Filtration 22PD/32PD Series High Pressure Duplex Filters.

Specially designed to offer continuous operation, even during element change.

A changeover valve operates on the upstream side of the filter, ensuring a contamination free system.



# Specification

**Pressure ratings:**

Maximum allowable operating pressure 210 bar.  
Filter housing pressure pulse fatigue tested: 10<sup>6</sup> cycles 210 bar.

**Connections:**

Inlet and outlet connections are threaded.

Connection style	Model	
BSPF(G)	22PD	32PD
Flange SAE 3000-M	1 1/4"	1 1/2"

\*3000-M is a SAE style with appropriate metric fixing threads.

**Filter housing:**

Head material cast iron (GSI).  
Bowl material steel.

**Seal material:**

Nitrile or Fluoroelastomer.

**Operating temperature range:**

Seal material Nitrile: -40°C to +100°C.  
Seal material Fluoroelastomer: -20°C to +120°C.

**Bypass valve:**

Opening pressure 3.5 bar

**Filter element:**

**Degree of filtration:**

Determined by multipass-test according to ISO 16889.

**Flow fatigue characteristics:**

Filter media is supported so that the optimal fatigue life is achieved (ISO 3724).

**Microglass III:**

Supported with epoxy coated metal wire mesh, end cap material reinforced composite and metal inner core. Collapse rating 20 bar (ISO 2941).

**High collapse elements:**

(to be used when no bypass function in filter housing).  
Microglass III media supported with epoxy coated metal wire mesh on upstream and stainless steel on downstream, end cap material steel. Strong metal inner core. Collapse rating 210 bar (ISO 2941).

**Indicator options:**

Indicating differential pressure: 2.5 ± 0.3 bar.

- visual M3.
- electrical T1.
- electronic F1 (PNP).
- electronic F2 (NPN).

For indicator details see catalogue section 6.

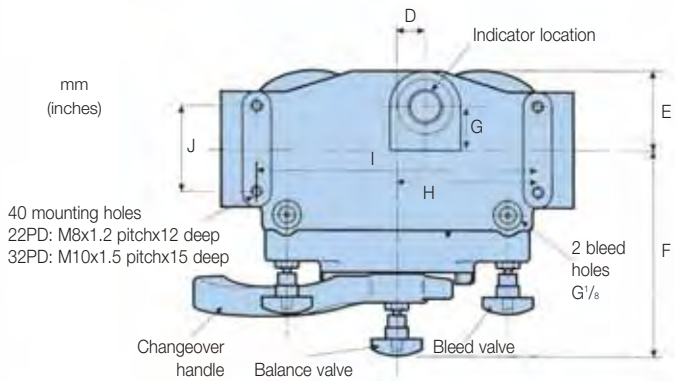
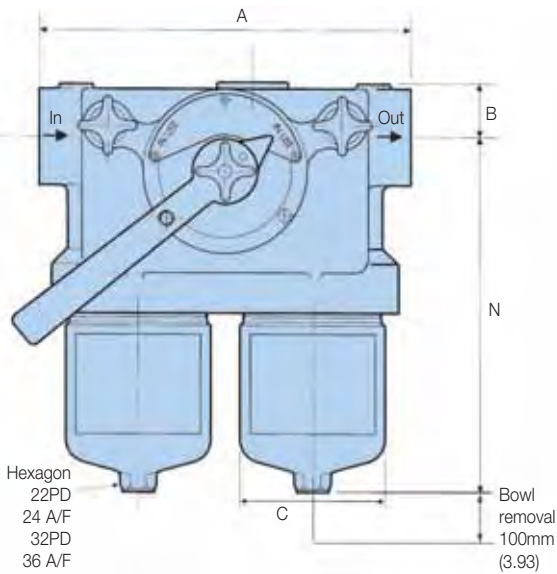
**Weights (kg):**

Model	Length 1	Length 2
22PD	22	27
32PD	44	50

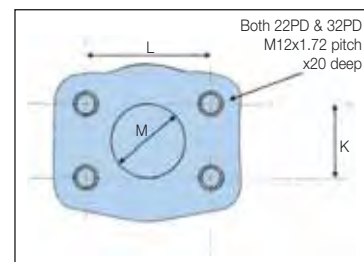
**Fluid compatibility:**

Suitable for use with mineral and vegetable oils, and some synthetic oils. For other fluids, please consult Parker Filtration.

Dimensions mm (inches)														
Model	A	B	C	D	E	F	G	H	I	J	K	L	M	N
22PD-1	240	35	92	18	55	150	150	96	192	60	30	59	30.75Ø	236 (9.29)
22-PD-2	(9.45)	(1.38)	(3.62)	(0.71)	(2.16)	(5.91)	(5.90)	(3.70)	(7.56)	(2.36)	(1.18)	(2.32)		345 (13.58)
32PD-1	306	42	130	20	78	170	165	120	240	75	36	70	38Ø	317 (12.48)
32PD-2	(12.05)	(1.65)	(5.12)	(0.79)	(3.07)	(6.69)	(6.49)	(4.72)	(9.45)	(2.95)	(1.42)	(2.75)		437 (17.20)



**Flange face detail**



# 22PD/32PD Series

## High Pressure Duplex Filters

### Pressure Drop Curves

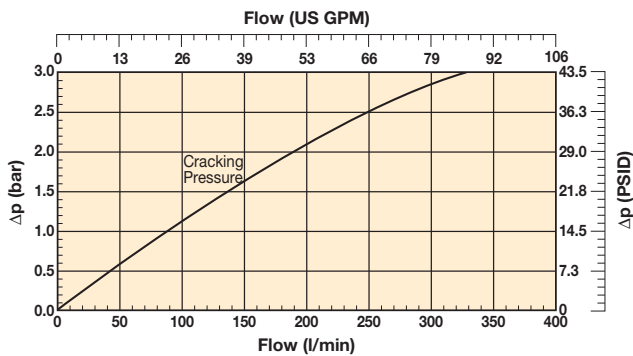
The recommended level of initial pressure drop is max. 1.2 bar.

If the medium used has a viscosity different from 30 cSt, pressure drop over the filter can be estimated as follows:

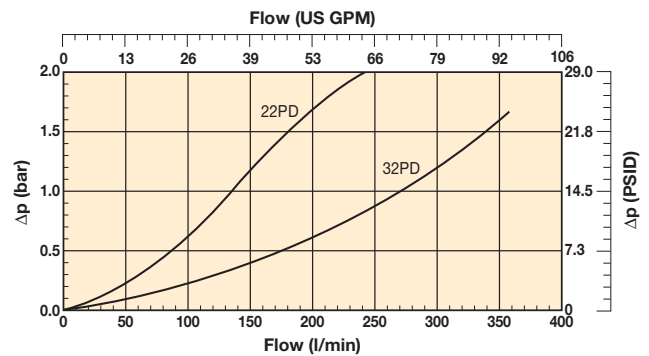
$$\Delta p = (\Delta p_{30} \times \text{viscosity of medium used}) / 30 \text{ cSt.}$$

The total  $\Delta p$  = housing  $\Delta p_h$  + (element  $\Delta p_e \times \text{working viscosity}/30$ ).

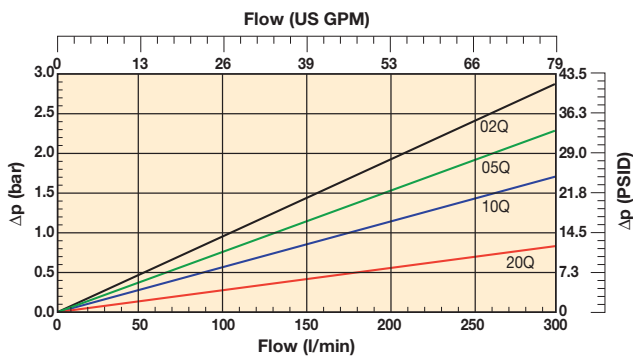
**22PD/32PD Bypass Valve**



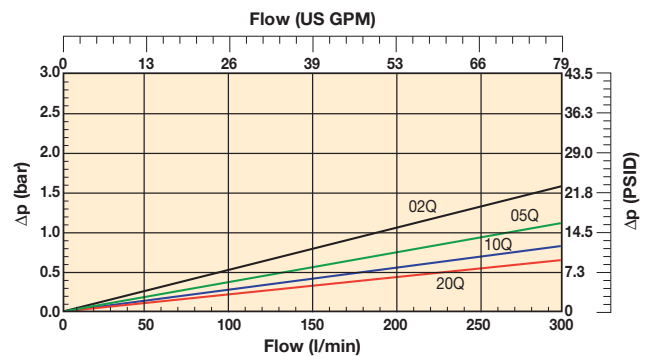
**22PD/32PD Empty Housing**



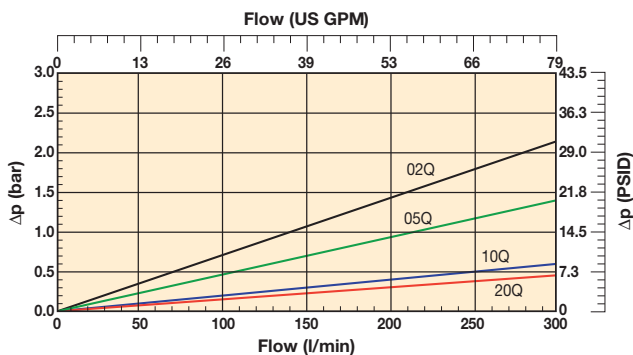
**22PD-1 Elements**



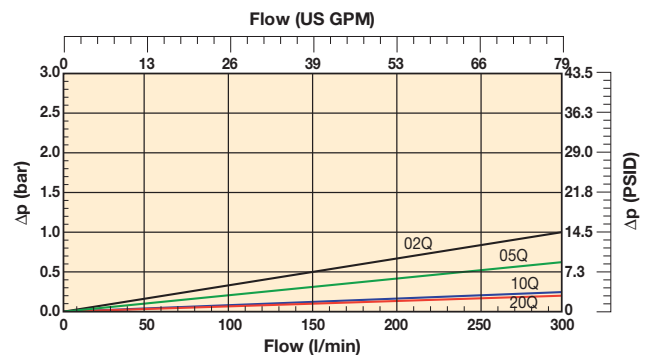
**22PD-2 Elements**



**32PD-1 Elements**

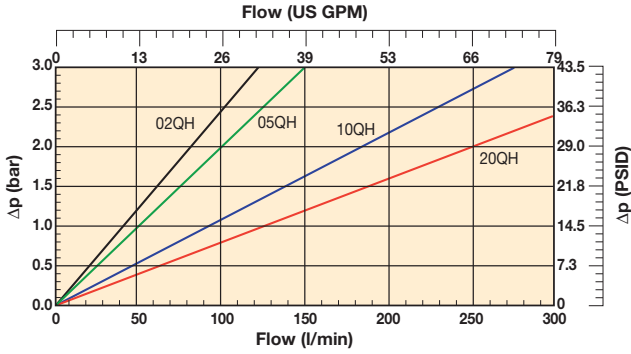


**32PD-2 Elements**

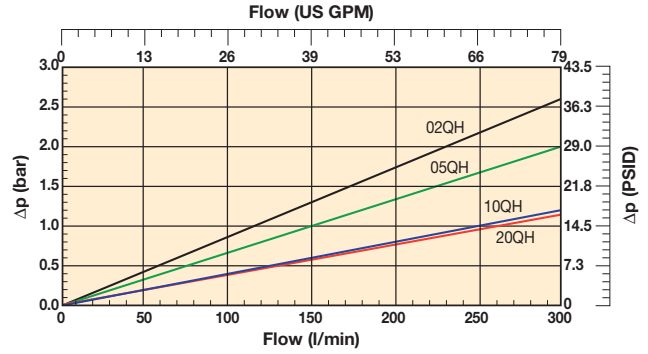




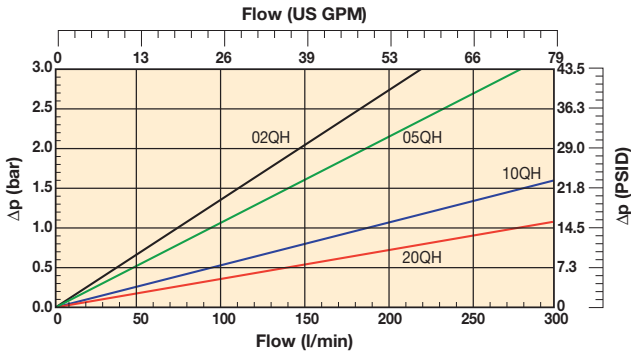
### 22PD-1 High Collapse Elements



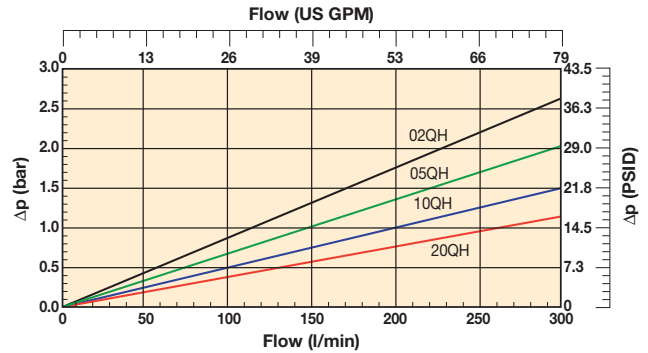
### 22PD-2 High Collapse Elements



### 32PD-1 High Collapse Elements



### 32PD-2 High Collapse Elements



## Ordering Information

### Standard products table

Part number	Supersedes	Flow (l/min)	Model number	Element length	Media rating (μ)	Seals	Indicator	Bypass settings	Ports	Replacement elements
22PD210QBM3KG161	0-22-PD-2-10Q-V-50-C-1	120	22PD	Length 2	10	Nitrile	Visual	3.5 bar	G1"	G01315Q
22PD210QBT1KG161	0-22-PD-2-10Q-TW3-50-C-1	120	22PD	Length 2	10	Nitrile	Electrical	3.5 bar	G1"	G01315Q
22PD220QBM3KG161	0-22-PD-2-20Q-V-50-C-1	140	22PD	Length 2	20	Nitrile	Visual	3.5 bar	G1"	G01938Q
22PD220QBT1KG161	0-22-PD-2-20Q-TW3-50-C-1	140	22PD	Length 2	20	Nitrile	Electrical	3.5 bar	G1"	G01938Q
32PD210QBM3KG201	0-32-PD-2-10Q-V-50-D-1	240	32PD	Length 2	10	Nitrile	Visual	3.5 bar	G1½"	G01098Q
32PD210QBT1KG201	0-32-PD-2-10Q-TW3-50-D-1	240	32PD	Length 2	10	Nitrile	Electrical	3.5 bar	G1½"	G01098Q
32PD220QBM3KG201	0-32-PD-2-20Q-V-50-D-1	260	32PD	Length 2	20	Nitrile	Visual	3.5 bar	G1½"	G01954Q
32PD220QBT1KG201	0-32-PD-2-20Q-TW3-50-D-1	260	32PD	Length 2	20	Nitrile	Electrical	3.5 bar	G1½"	G01954Q

Note: Filter assemblies ordered from the product configurator on the next page are on extended lead times. Where possible, please make your selection from the table above.

### 22PD/32PD Series Seal Kits

Part Number	Description
S04233	NITRILE SEAL KIT 22PD
S04234	FLUOROELASTOMER SEAL KIT 22PD
S04233	NITRILE SEAL KIT 32PD
S04234	FLUOROELASTOMER SEAL KIT 32PD



# 22PD/32PD Series

## High Pressure Duplex Filters

### Ordering Information (cont.)

#### Product configurator

Box 1	Box 2	Box 3	Box 4	Box 5	Box 6	Box 7	Box 8
<b>22PD</b>	<b>2</b>	<b>10Q</b>	<b>B</b>	<b>M3</b>	<b>K</b>	<b>G16</b>	<b>1</b>

Code	
Model	Code
Small high pressure duplex filter	<b>22PD</b>
Large high pressure duplex filter	<b>32PD</b>

Filter type	
Length	Code
Length 1	<b>1</b>
Length 2	<b>2</b>

Degree of filtration				
Element media	Glass fibre			
	Media code			
Microglass III element	02Q	05Q	<b>10Q</b>	<b>20Q</b>
High collapse element	02QH	05QH	10QH	20QH

Seal type	
Seal material	Code
Nitrile	<b>B</b>
Fluoroelastomer	V

Indicator	
	Code
Visual indicator	<b>M3</b>
Electrical indicator	<b>T1</b>
Plugged with steel plug	P
No indicator port	N
Electronic 4 LED, PNP, N.O.	F1
Electronic 4 LED, NPN, N.O.	F2
Electronic 4 LED, PNP, N.C.	F3
Electronic 4 LED, NPN, N.C.	F4

Bypass and indicator settings		
Bypass valve	Indicator	Code
3.5 bar	2.5 bar	<b>K</b>
No bypass	5.0 bar	M
No bypass	No indicator	X

+ Box 8: code 2  
+ Box 8: code 2

When filter includes a bypass valve but not an indicator, code denotes bypass setting.

Filter connection	
Ports	Code
22PD: Thread G 1	<b>G16</b>
SAE flange 1 1/4" 3000-M	R20
32PD: Thread G 1 1/4	<b>G20</b>
SAE flange 1 1/2" 3000-M	R24

Options	
Options	Code
Standard	<b>1</b>
No bypass	2

Replacement elements with nitrile seals				
Media	22PD-1	22PD-2	32PD-1	32PD-2
02Q	<b>G01282Q</b>	<b>G01316Q</b>	<b>G01069Q</b>	<b>G01099Q</b>
05Q	<b>G02721Q</b>	<b>G02724Q</b>	<b>G02567Q</b>	<b>G02727Q</b>
10Q	<b>G01281Q</b>	<b>G01315Q</b>	<b>G01068Q</b>	<b>G01098Q</b>
20Q	<b>G01930Q</b>	<b>G01938Q</b>	<b>G01946Q</b>	<b>G01954Q</b>
02QH	G01442Q	G01448Q	G01454Q	G01460Q
05QH	G03737Q	G03738Q	G03739Q	G03740Q
10QH	G01441Q	G01447Q	G01453Q	G01459Q
20QH	G01932Q	G01940Q	G01948Q	G01956Q

Nominal flow (l/min) at viscosity 30 cSt				
Filter model	02Q	05Q	10Q	20Q
22PD-1	70	80	100	120
22PD-2	100	110	120	140
32PD-1	100	150	210	230
32PD-2	180	210	240	260

Seal kits		
Filter model	Nitrile	Fluoroelastomer
22PD	S04233	S04234
32PD	S03520	S03522

Replacement elements with fluoroelastomer seals				
Media	22PD-1	22PD-2	32PD-1	32PD-2
02Q	G01302Q	G01336Q	G01089Q	G01119Q
05Q	G02723Q	G02726Q	G02569Q	G02729Q
10Q	G01301Q	G01335Q	G01088Q	G01118Q
20Q	G01934Q	G01942Q	G01950Q	G01958Q
02QH	G01446Q	G01452Q	G01458Q	G01464Q
05QH	G04235Q	G04236Q	G04237Q	G04238Q
10QH	G01445Q	G01451Q	G01457Q	G01463Q
20QH	G01935Q	G01943Q	G01951Q	G01959Q

#### Highlights Key (Denotes part number availability)

<b>123</b>	Item is standard
<b>123</b>	Item is standard green option
<b>123</b>	Item is semi standard
123	Item is non standard

Note: Standard items are in stock, semi standard items are available within four weeks

Degree of filtration						Code	
Average filtration beta ratio $\beta$ (ISO 16889) / particle size $\mu\text{m}$ [c]							
Bx(c)=2	Bx(c)=10	Bx(c)=75	Bx(c)=100	Bx(c)=200	Bx(c)=1000		
% efficiency, based on the above beta ratio ( $\beta_x$ )							
50.0%	90.0%	98.7%	99.0%	99.5%	99.9%	Disposable	High collapse element
N/A	N/A	N/A	N/A	N/A	4.5	<b>02Q</b>	02QH
N/A	N/A	4.5	5	6	7	<b>05Q</b>	05QH
N/A	6	8.5	9	10	12	<b>10Q</b>	10QH
6	11	17	18	20	22	<b>20Q</b>	20QH

Note 1: Part numbers featured with bold highlighted codes will ensure a 'standard' product selection.

Note 2: Alternate displayed part number selection will require you to contact Parker Filtration for availability.



# Indicators Series

FMU  $\Delta p$ -Indicators and Pressure Indicators  
Max 420 bar



## Measuring critical system parameters is essential

### Reliable and continuous control of the filter in all applications

The FMU range of filter condition indicators are designed for use on a wide range of Parker filters and competitive interchange filters. Maximum pressure 420 bar. A comprehensive range of high quality indicators for mobile, industrial and marine applications.



## Contact Information:

Parker Hannifin  
**Hydraulic Filter Division Europe**

**European Product Information Centre**  
Freephone: 00800 27 27 5374  
(from AT, BE, CH, CZ, DE, EE, ES, FI, FR, IE, IT, PT, SE, SK, UK)  
filtrationinfo@parker.com

www.parkerhfde.com

## Product Features:

- The FMU range of filter condition indicators, designed for use on a wide range of Parker filters.
- Accurate visual, electronic or electrical filter condition feedback.
- Maximum pressure 420 bar.
- Mobile, industrial and marine applications.

# Indicators Series

## FMU $\Delta p$ -Indicators and Pressure Indicators

### Features & Benefits

Features	Advantages	Benefits
Indicators fatigue tested to full pressure rating	Reliable indicators for heavy duty applications	Reliable and continuous control of the filter in all applications
Cartridge screw-in type indicators	Easy mounting	Reliable sealing, no leakage
Visual, electrical and electronic indicators available	Check element condition at a glance	Optimises element life, prevents bypassing
	Right style for the application	Match your system's electrical connections
Several indication settings	Optimized for each bypass setting	Right indicator for application
Visual indicators	Local monitoring of the element condition	Reliable low cost indicator
Electrical indicator with change-over switch	Option of Normally Open (N.O.) and Normally Closed (N.C.) function	Approved for low voltage and high voltage use including machine control systems and PLC's
Electrical indicator with 4 LEDs	Thermal lock-out	No false alarm because of low temperature oil
	Visual early warning with yellow LED	Allows time to schedule element change
	Pre-alarm with yellow LED and wired output	Indicates upcoming element change
	Alarm with red LED and wired output	Clear indication for element change
Programmable and ATEX certified indicators available	Right indicators for special applications	Improved machine surveillance

### Typical Applications

- Industrial equipment
- Mobile equipment
- Marine/offshore applications

### The Parker FMU Series Differential Pressure Indicators

The FMU range of filter condition indicators, are designed for use on a wide range of Parker filters and suitable for competitive interchange (consult Parker Filtration for details).

Ideal for giving accurate visual, electronic or electrical feedback of filter element condition, in order to facilitate effective maintenance and ensuring hydraulic systems, marine/mobile or industrial are protected from particulate contamination.



## Specification

**Maximum operating pressure:**

420 bar (250 bar for aluminium).

**Maximum differential pressure:**

210 bar.

**Working temperature range:**

-20°C to +85°C with fluoroelastomer seals, -40°C to +85°C with nitrile and EPDM seals.

**Material of housing:**

Brass, aluminium or stainless steel.

**Seals:**

Fluoroelastomer, Nitrile or EPDM.

**Mounting torque:**

max. 75 Nm

(max. 50 Nm for aluminium indicator body & filter housing)

**The differential pressure values of standard indicator models:**

1.2 bar ± 0.2

1.5 bar ± 0.2

2.5 bar ± 0.3

5.0 bar ± 0.5

7.0 bar ± 0.5

8.5 bar ± 0.5

(Indicators for other differential pressure values are optional).

### FMU $\Delta p$ – Indicators are typically used with the following filters:

Heavy duty filters: GS, SF1040, DF2035, DF2050, DFH2060, DF2070, DF2089, DF2110 Note: FMU-Block is required to connect indicator to filter.	<b>U12H</b>	<b>1.0 and 1.5 bar</b>
Medium pressure filters series: 45M. High pressure filters series: 70L, 70T, 70B, 5000, 7100 and 7200. Heavy duty filter series: 130M, DF2145.	<b>U12H</b>	<b>2.5 bar</b>
High pressure filters without bypass valve: 70L, 70T, 70B, 7100 and 7200.	<b>U12H</b>	<b>7.0 bar</b>
Medium and low pressure filter series; Note for PD Range only 2.5 bar indicators are available: 15CN, 40CN, 80CN, 22PD, 32PD, 15P, 30P, 40RF, 50RF, IL8, 12M, 22M, 16P, 26P, 36P. Also heavy duty filter DF40.	<b>U14M</b>	<b>1.2 and 2.5 bar</b>
High pressure filters 18P, 28P, 38P, FDA, FDB	<b>U14H</b>	<b>2.5 and 5.0 bar</b>

# Indicators Series

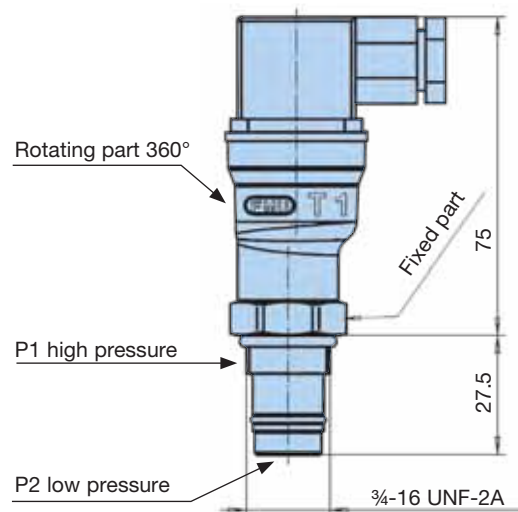
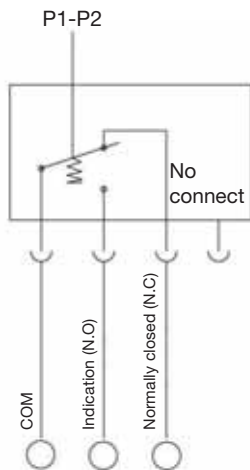
## FMU Δp-Indicators and Pressure Indicators

### FMUT Electrical

Rated voltage	Non-inductive load (A)				Inductive load (A)				Inrush current (A)	
	Resistive load		Lamp load		Inductive load		Motor load		N.C.	N.O.
	N.C.	N.O.	N.C.	N.O.	N.C.	N.O.	N.C.	N.O.		
125VAC	5		1.5	0.7	3		2.5	1.3	20 max.	10 max.
250VAC	3		1.0	0.5	2		1.5	0.8		
8VDC	5		2		5	4	3			
14VDC	5		2		4	4	3			
30VDC	4		2		3	3	3			
125VDC	0.4		0.05		0.4	0.4	0.05			
250VDC	0.2		0.03		0.2	0.2	0.03			

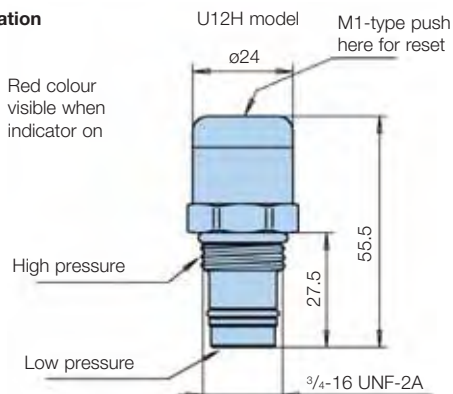
Enclosure class	IP65
Electrical connector	DIN 43650
Overtoltage category	II (EN61010-1)

### Contact configuration

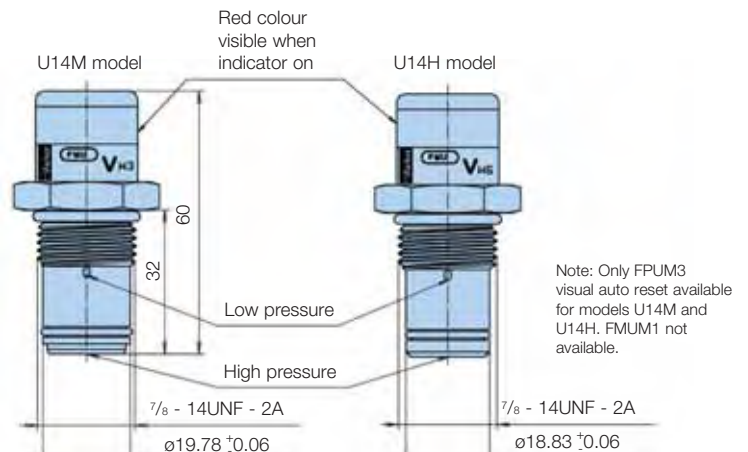


### FMUM3 Visual Auto Reset/FMUM1 Visual Manual Reset

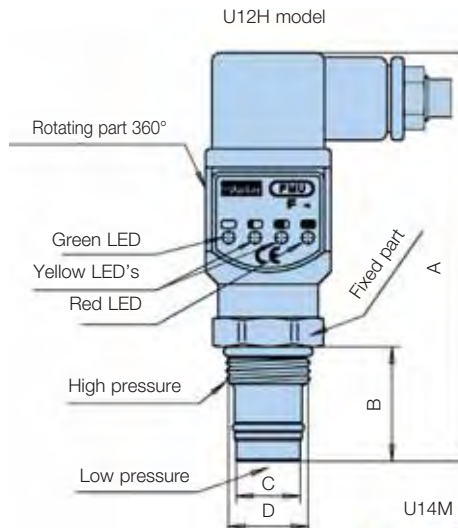
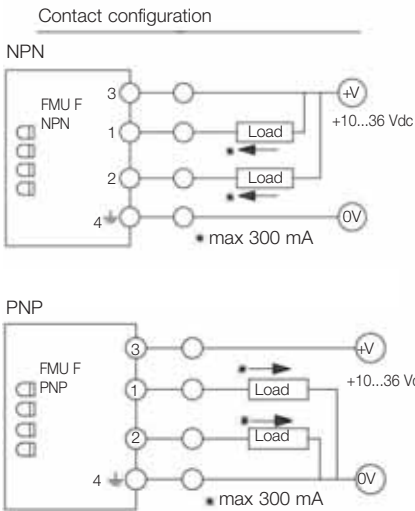
#### Operation



#### Operation



## FMUF Electronic



	U12H	U14M	U14H
<b>A</b>	98	105	105
<b>B</b>	27.5	32	32
<b>C</b>	∅16.2 ±0.05	∅19.78 ± 0.06	∅18.83 ± 0.06
<b>D</b>	<sup>3</sup> / <sub>4</sub> -16 UNF-2A	<sup>7</sup> / <sub>8</sub> -14 UNF-2A	<sup>7</sup> / <sub>8</sub> -14 UNF-2A

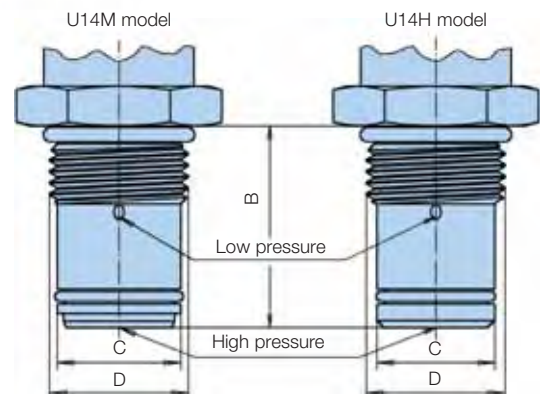
### Thermal lock-out (standard setting +20°C)

- Indicator operates only when temperature is above setting.
- Green LED is blinking if temperature is lower. (not in U12H)

Ind. press. setting	LED status				Output
	G	Y1	Y2	R	
< 50 %	⊗				-
50 %	⊗	⊗			-
75 %	⊗	⊗	⊗		2 active
100 %	⊗	⊗	⊗	⊗	1 active

Enclosure class	IP65
Electrical connector	DIN 43650, cable connection PG9 or optionally M12 4-pin
Input supply voltage	+10 to 36 Vdc
*Indication output	max. 300 mA/36 Vdc
Output type:	N.O. or N.C./NPN or PNP

Note: Do not connect output terminals 1 or 2 directly (without load) to power supply terminals, because this will damage the equipment.



Safety feature: The 250 bar U14M indicator does not fit into the U14H cavity, which is used in 420 bar filters

## FMUL1 Programmable



Dimensions: see FMUF electronic Δp-indicator

## Programmable Δp-indicator

All settings adjustable (settings made via PC) Connections cable and software available from Parker

- 4 LEDs giving visual indication:
  - Green (G): Power ON
  - Yellow 1 (Y1): Pre-alarm 1 (presetting 50%)
  - Yellow 2 (Y2): Pre-alarm 2 (presetting 75%)
  - Red (R): Indication (presetting 100%)
- two independently programmable indication outputs
  - can be set independently from each other and LED setting
  - output type: NPN or PNP
  - switching type: N.O. or N.C.
- setting range: 0,5 ... 10 bar
- thermal lock-out range: 0 ... 100°C
- includes a microchip with memory logs
  - number of alarms: max 65535
  - time indication on (output 1): max 1092 hours
  - time power on (running hours): max 7 1/2 years
  - upload and reset via PC

# Indicators Series

## FMU Δp-Indicators and Pressure Indicators

### Ordering Information

#### Product configurator

Box 1	Box 2	Box 3	Box 4	Box 5	Box 6	Box 7	Box 8
<b>FMU</b>	<b>M3</b>	<b>K</b>	<b>V</b>	<b>M</b>	<b>U14</b>	<b>H</b>	

Code	
Indicator series	<b>Code</b>
Filter monitoring unit	<b>FMU</b>

Box 2 Filter type	
Differential pressure indicator	Code
Visual manual reset	M1*
Visual autoreset	<b>M3</b>
Electrical	<b>T1</b>
Electronic 4 LED, PNP, N.O.	<b>F1</b>
Electronic 4 LED, NPN, N.O.	<b>F2</b>
Electronic 4 LED, PNP, N.C.	F3
Electronic 4 LED, NPN, N.C.	F4
Programmable with memory logs	L1
Ex version	X1

Box 3 Indicator setting		
Indicator setting	Standard	Code
	c	<b>F</b>
	a	<b>G</b>
	c	<b>H</b>
	a, b, c	<b>K</b>
	b	<b>M</b>
	c	<b>N</b>
		P

Standard settings:  
a: U14M, former -W3  
b: U14H, former -W6  
c: U12H, former -F6

Box 4 Seal type	
Seal material	Code
Nitrile	B
Fluorelastomer	<b>V</b>
EPDM	E
Neopren	N

Box 5 Indicator body	
Indicator body	Code
Aluminium (Box 7, code M)	A
Brass (Box 7, code M and H)	<b>M</b>
Stainless steel	R

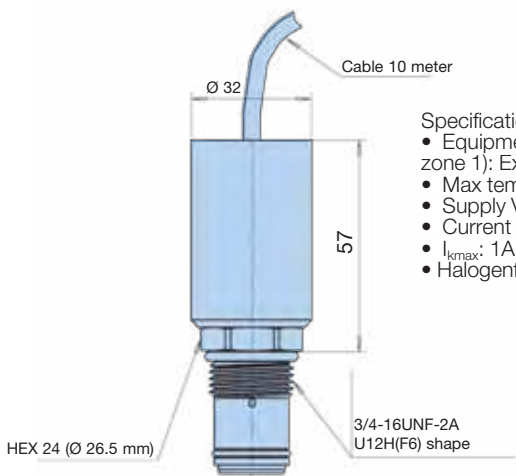
Box 6 Thread connection	
Thread connection	Code
3/4" - 16UNF-2A	<b>U12</b>
7/8" - 14UNF-2A	<b>U14</b>

Box 7 A - class products Max Pressure	
Max pressure	Code
CN, 15/30P & 22/32 PP Series	<b>M</b>
45M, 130M, 70P & 18/28/38P	<b>H</b>

Box 8 Options	
Options	Code
Standard	<b>omit</b>
Other options	factory supplied

Note: F and L type indicators. Non-standard thermal lockout settings shown here.

### FMUX ATEX Approved Electronic



- Specification:
- Equipment category 2 (for zone 1): Ex II 2 GD Eex m II T6
  - Max temperature 85°C
  - Supply Voltage: 10 – 36 Vdc
  - Current 300 mA (max)
  - I<sub>kmax</sub>: 1A
  - Halogenfree cable

#### Indicator type X1: ATEX Δp-indicator

Electronic indicator accordant with ATEX 94/9/EC directive: (Ex) II 2 GD Eex mII T6.

Degree of protection IP66. X1 refers to NPN, N.O. (see electronic F Type). Other output options are available by request.

#### Connection cable + software for programmable indicator L1

Connection cable for PC serial connection and software for indicator settings and utilising memory logs.

**Ordering Code: 905075030**

#### Seal kits (fluoroelastomer)

Indicators with thread connection U12H (former -F6)  
Indicators with thread connection U14M (former -W3)  
Indicators with thread connection U14H (former -W6)

#### Ordering code

**911045078**  
**911045086**  
**911045087**

Note 1: Part numbers featured with bold highlighted codes will ensure a 'standard' product selection.

Note 2: Alternate displayed part number selection will require you to contact Parker Filtration for availability.

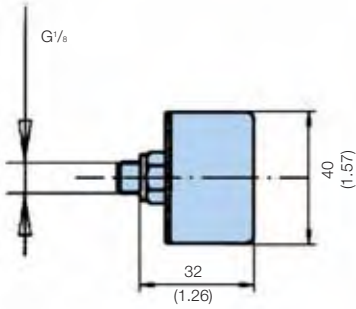




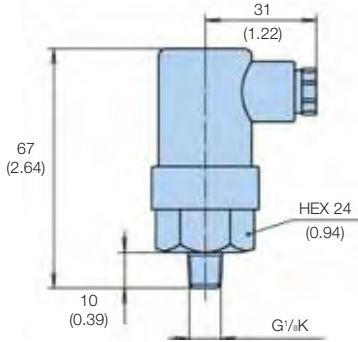
## Pressure Indicators for Low Pressure Filters

### ETF Filter

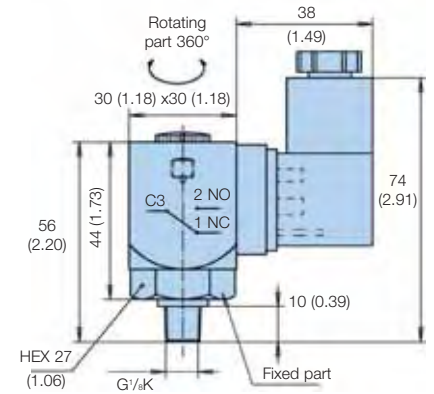
Visual pressure indicator  
**Code G2**  
mm (inches)



48 Vdc electrical indicator 1.0 bar  
**Code S2/S3**  
mm (inches)



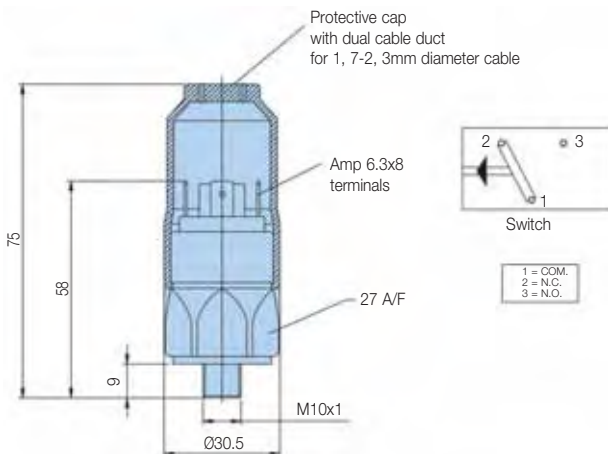
250 VAC electrical indicator 1.0 bar  
**Code S4**  
mm (inches)



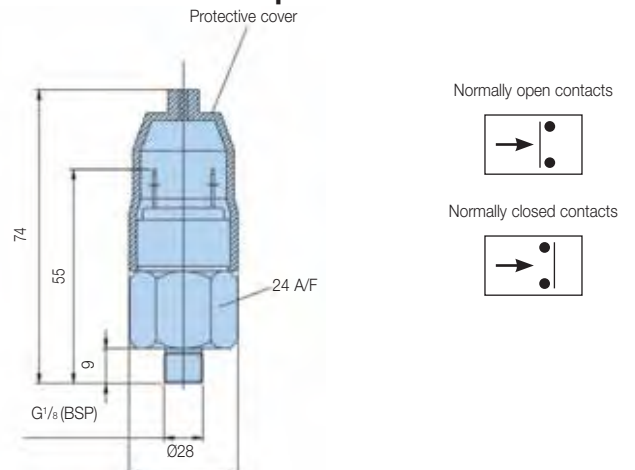
Option	Description	Connection/Voltage	Wiring	Part number
G2	Visual indicator 1.0 bar	N/A	N/A	FMUG2FBMG02L
S2/S3	Electrical indicator 1.0 bar	42 Vdc max	<p>Select either normally open (NO) or normally closed (NC)</p>	FMUS2FBMG02L (NO switch) or FMUS3FBMG02L (NC switch)
S4	Electrical indicator 1.0 bar	250 Vac max		FMUS4FBMG02L <div style="display: flex; justify-content: space-around; margin-top: 10px;"> <div style="text-align: center;"> <p>Normally open contacts</p> </div> <div style="text-align: center;"> <p>Normally closed contacts</p> </div> </div>

### TTF, BGT and TPR

#### Indicator PS pressure switch



#### Indicator PS NO/NC pressure switch



Specifications	
Elec.rating	42V / 4A
Thread connection	G118
Elec.connection	AMP 6.3x0.8 terminals + protective cap
Protection	IP65 (with cap) terminals IP00
Code	FMUS14EBME02 L (Switch)

Specifications	
Elec.rating	42V / 2A
Thread connection	G1/8
Elec.connection	AMP terminal 6.3x0.8
Protection	IP65 (terminal IP00)
Switch type	NO or NC
Code	FMUS2EBMG02L (NO switch) FMUS3EBMG02L (NC switch)

<b>Visual indicator</b>	1.2 bar
G1/8: code	FMUG2EBPG02L

# GS Series

Medium Pressure Filters  
Max. 350 l/min. - 40 bar



## In-line peace of mind

Three different housing sizes and several media options allow a wide range of applications. Cast iron housings are operable up to 40 bars. Pre-filtration with magnets is available as well as several connection options.



## Contact Information:

Parker Hannifin  
**Hydraulic Filter Division Europe**

**European Product  
Information Centre**  
Freephone: 00800 27 27 5374  
(from AT, BE, CH, CZ, DE, EE, ES,  
FI, FR, IE, IT, PT, SE, SK, UK)  
[filtrationinfo@parker.com](mailto:filtrationinfo@parker.com)

[www.parkerhfde.com](http://www.parkerhfde.com)



Typical application examples. At the top of each product section, a 'typical application' photo example has been included.

## Applications:

- Industrial gear boxes
- Heavy fuel oil filter for diesel engines
- Suction filter for fuel systems
- Medium pressure hydraulic filter

## Providing heavy duty filtration solutions

Parker can provide correct filtration solutions for a multitude of fuel, gas, hydraulic oil and lubrication systems. A wide selection of low and medium pressure multi-purpose filters that offer several different filter elements – environmentally sound choices too – allowing highly customized solutions. Duplex filters and the ability to bank multiple filters together enables continuous filtration during element changes. Parker's heavy duty solutions for clean fluids and peace of mind.

## Specification

### Assembly:

In-line filter

### Maximum operating pressure:

40 bar. For DN80 flanges 16 bar.

### Nominal flow rate (30cSt):

350 l/min (21 m<sup>3</sup>/h)

### Connections:

Threads G1 for GS2 and G1½ for GS6 and GS7. GS7 is available also with flanges DN80/PN16.

### Seal material:

Fluoroelastomer or optionally nitrile

### Operating temperature:

-40°C...+100°C with Nitrile seals, -20°C...+120°C with Fluoroelastomer seals, -20°C...+160°C with metal mesh elements and Fluoroelastomer seals.

### Housing material:

Cast iron

### Weight:

See dimensions table

### Magnet pack:

Available as option

### Bypass valve:

Standard opening pressure 1.6 bar, optionally with blocked bypass

### Indicator options:

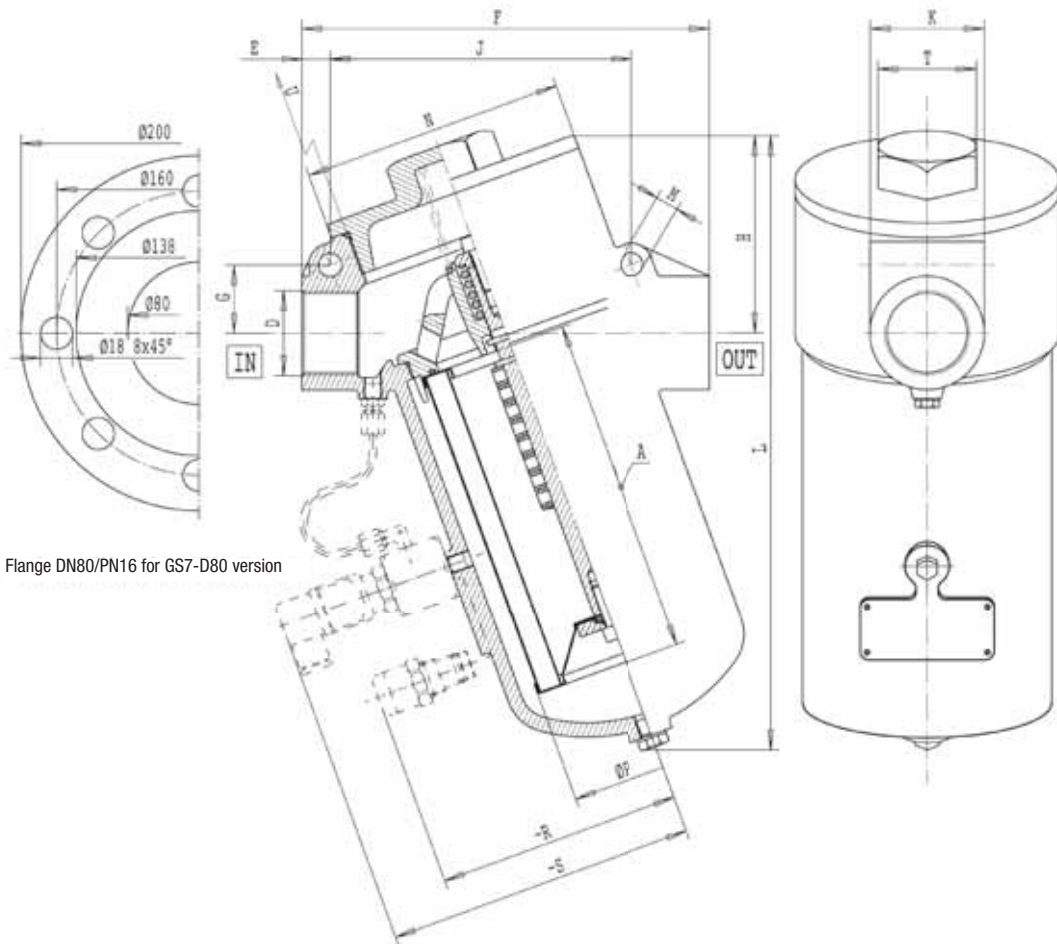
Visual, electrical or electronic indicator requires an indicator block. For details see indicator options table on product description page and catalogue section 4.

### Filtration materials:

- Glassfibre Microglass III
- Cleanable metal mesh

### Fluid compatibility:

Suitable for use with regular hydraulic and lubrication oils and fuel oils. For other fluids consult Parker Filtration.



Flange DN80/PN16 for GS7-D80 version

Type	Weight	A	D	F	G	H	J	K	L	M	N	P	R	S	T	U
GS2	5.5 kg	150	G1	170	27	83	125	45	275	11	108	71	118	159	32	200
GS6	12 kg	190	G1½	230	38	112	170	64	350	13	148	106	139	180	55	210
GS7	15 kg	260	G1½	230	38	112	170	64	420	13	148	106	139	180	55	240
GS7-D80	24 kg	260	80	310	-	112	-	200	420	-	148	106	139	180	55	240

# GS Series

## Pressure Drop Curves

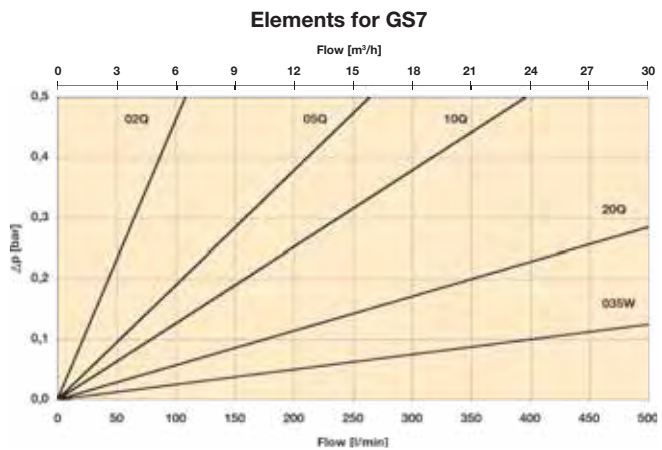
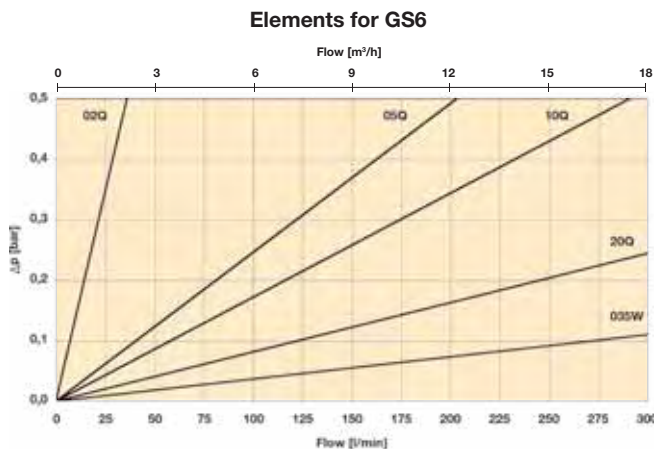
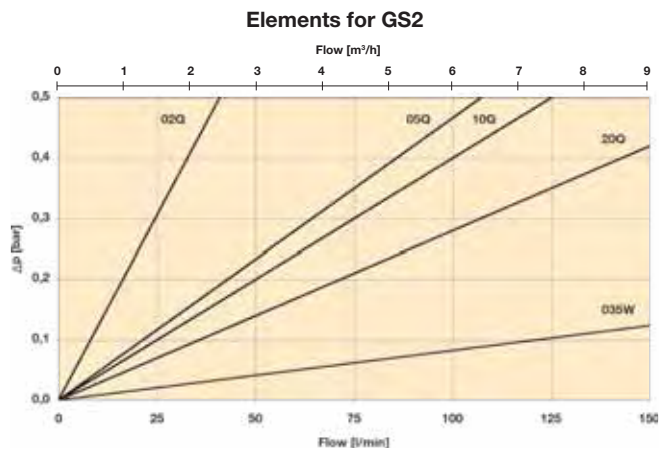
$$\Delta p_{\text{total}} = \Delta p_{\text{housing}} + \Delta p_{\text{element}}$$

The recommended level of the initial pressure drop for this filter is maximum 0.5 bar.

$\Delta p$ -curves are measured at 30 cSt.

If the medium used has a viscosity different from 30 cSt, pressure drop over the element can be estimated as follows:

$$\Delta p_{\text{total}} = \Delta p_{\text{housing}} + \Delta p_{\text{element}} \times \frac{\text{working viscosity}}{30 \text{ cSt}}$$



### REPLACEMENT ELEMENTS (with Fluoroelastomer or Nitrile seal)

Media code	Order code for GS2		Order code for GS6		Order code for GS7	
	Standard (no seal)	Fluoroelastomer	Nitrile	Fluoroelastomer	Nitrile	
Glassfibre						
02Q	937973Q	938208Q	937747Q	938209Q	937746Q	
05Q	937974Q	938361Q	937758Q	938364Q	937759Q	
<b>10Q</b>	<b>937952Q</b>	<b>938362Q</b>	937783Q	<b>938075Q</b>	937782Q	
<b>20Q</b>	<b>937953Q</b>	<b>938363Q</b>	937794Q	<b>938005Q</b>	937795Q	
Cleanable metal mesh						
035W	939180	939182	NA	939184	NA	
060W	939181	939183	NA	939185	NA	

## Product Description for GS Complete Filter:

Table 1

--

Table 2

--

Table 3

--

Table 4

--

Table 5

--

Table 6

--

Table 7

--

Table 8

--

Table 1

FILTER TYPE	
Model	CODE
Medium pressure filter, cast iron	<b>GS</b>

Table 2

FILTER SIZE	
Housing size - element length	CODE
1-60 (former 1087)	<b>2</b>
2-170 (former 1088)	<b>6</b>
2-230 (former 1089)	<b>7</b>

Table 3

DEGREE OF FILTRATION	
Element type	CODE
<b>Microglass III</b>	
Glassfibre 2 µm	02Q
Glassfibre 5 µm	05Q
Glassfibre 10 µm	<b>10Q</b>
Glassfibre 20 µm	<b>20Q</b>
<b>Other medias</b>	
Cleanable metal mesh 35 µm	035W
Cleanable metal mesh 60 µm	060W

Table 4

SEAL TYPE	
Seal material	CODE
Nitrile	<b>B</b>
Fluoroelastomer	<b>V</b>

Table 5

INDICATORS	
Options	CODE
No indicator block	<b>N</b>
Indicator port plugged	<b>P</b>
Visual indicator	<b>M3</b>
Electrical indicator	<b>T1</b>
Electronic indicator (PNP/N.O.)	F1
Electronic indicator (NPN/N.O.)	F2

Table 6

BYPASS VALVE	
Bypass/indicator setting	CODE
1.6 bar/1.0 bar	<b>F</b>
No/No	<b>X</b>

Table 7

FILTER CONNECTIONS	
Port size	CODE
G1 (length 2)	<b>G16</b>
G1½ (length 6 and 7)	<b>G24</b>
Flange DN80 (length 7)	D80

Table 8

OPTIONS	
Options	CODE
With bypass and magnets	<b>1</b>
No bypass, with magnets	<b>2</b>
With bypass, no magnets	<b>5</b>
No bypass, no magnets	<b>6</b>
Safety guard, no bypass, no magnets	<b>7</b>

SPARE PARTS		
Seal kit	CODE	
Seal material	GS2	GS6-7
Fluoroelastomer	918045044	918045038
Nitrile	918045034	918045023

Please note the bolded options reflect standard options with reduced lead-time.

# GA Series

Medium Pressure Filters  
Max. 230 l/min. 30 bar



## Contamination-proof and customizable filter solution

Designed for various applications. In-out filter principle means there is no possibility for contaminated leak back into the system. Supplied with magnetic pre-filtration. Customizable for filter coolants thus ideal for metal cutting equipment. Visual or electronic differential pressure indicators and environmentally friendly filtration elements available.



## Contact Information:

Parker Hannifin  
**Hydraulic Filter Division Europe**

**European Product  
Information Centre**  
Freephone: 00800 27 27 5374  
(from AT, BE, CH, CZ, DE, EE, ES,  
FI, FR, IE, IT, PT, SE, SK, UK)  
filtrationinfo@parker.com

[www.parkerhfde.com](http://www.parkerhfde.com)

## Applications:

- Gearboxes
- Bypass filtration
- Stone crushers
- Lube oil systems
- Metal cutting equipment

## Specification

### Assembly:

In-line filter

### Maximum operating pressure:

30 bar

### Nominal flow rate (30 cSt):

230 l/min (13.8 m<sup>3</sup>/h)

### Connections:

Threaded BSP ports. SAE ports available by request.

### Seal material:

Nitrile, optionally Fluoroelastomer or Neoprene

### Operating temperature:

-40°C...+100°C with Nitrile seals, -20°C...+120°C with Fluoroelastomer seals. For other temperatures consult Parker Filtration.

### Housing material:

Aluminium

### Weight:

See dimensions table

### Bypass setting:

Opening pressure standard 1.5 bar, optionally 0.8 bar, 2.0 bar or blocked bypass

### Filtration materials:

- Ecoglass for *LEIF*® element with reusable metal element sleeve. *LEIF*® contributes to ISO14001.
- Glassfibre Microglass III
- Resin impregnated cellulose paper 10 µm nominal
- Cleanable metal mesh

### Magnetic pack:

Standard

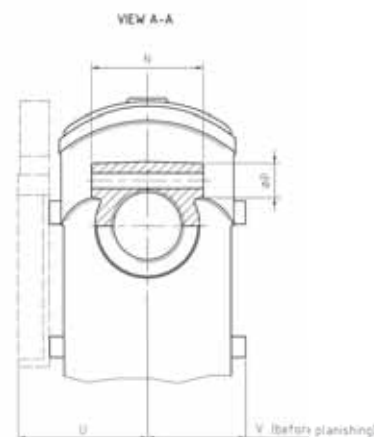
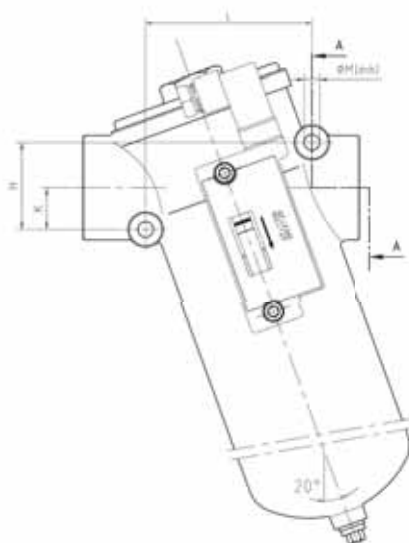
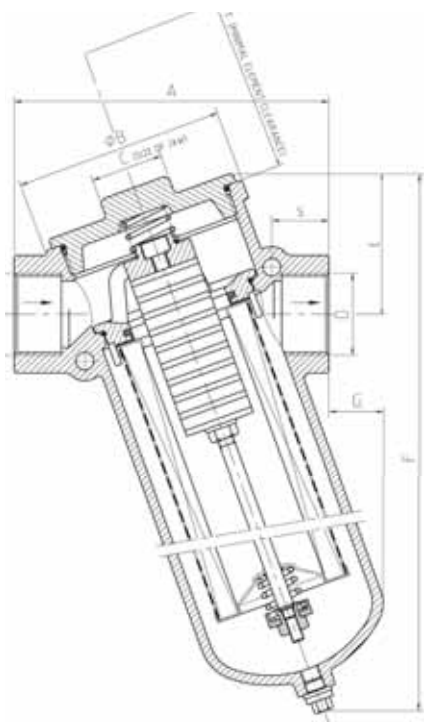
### Differential pressure indicators:

Visual or Visual-electrical indicator

Setting 1.2 bar (for 2.0 bar and 1.5 bar bypass) or 0.7 bar (for 0.8 bar bypass)

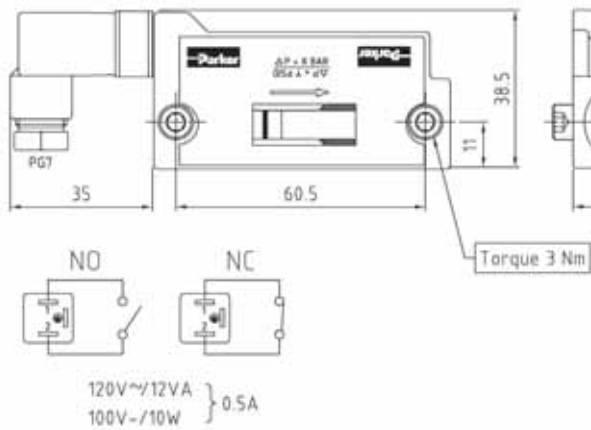
### Fluid compatibility:

Suitable for use with regular hydraulic and lubrication oils. For other fluids consult Parker Filtration.

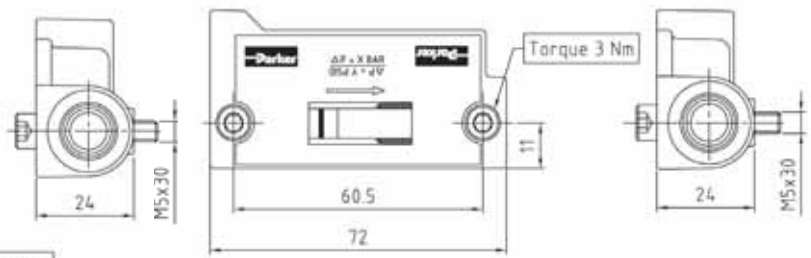


Type	A	B	C	D		E	F	G	H	K	L	M	N	P	S	T	U	V	Kg
				BSP ISO228	SAE														
GA1-30	150	106	32	G¾	12	70	180	3	50	24	95	9	44	20	28	143	86	63	2.1
GA1-60	160	106	32	G1	16	70	235	18	50	24	95	9	54	20	29	194	86	63	2.6
GA1-90	160	106	32	G1	16	70	275	29	50	24	95	9	54	20	29	238	86	63	3.2
GA1-120	160	106	32	G1¼	20	70	325	46	50	24	95	9	64	20	29	288	86	63	4.0
GA2-170	230	150	55	G1½	24	105	390	35	75	37	140	12	72	25	43	338	110	88	7.9
GA2-230	230	150	55	G1½	24	105	460	58	75	37	140	12	72	25	43	408	110	88	9.0

### VISUAL/ELECTRICAL INDICATOR



### VISUAL INDICATOR



#### Visual Indicator - Manifold connected to filter housing

Code (0.7 bar setting)	FMUD5BBAXXL
Code (1.2 bar setting)	FMUD5EBAXXL

#### Electrical Indicator - Manifold connected to filter housing

Code (0.7 bar setting and NO type switch)	FMUE5BBAXXL
Code (1.2 bar setting and NO type switch)	FMUE5EBAXXL
Electric rating	120Vac/12VA or 100Vdc/10W
Electrical connection	AMP terminal 6.3. x 0.8 with plugged cable gland
Protection	IP65
Switch type	NO (NC request)

## Pressure Drop Curves for Housing

$$\Delta p_{\text{total}} = \Delta p_{\text{housing}} + \Delta p_{\text{element}}$$

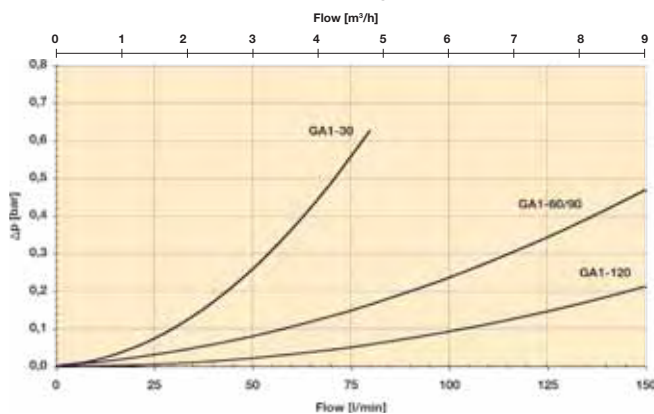
The recommended level of the initial pressure drop for this filter is maximum 0.5 bar.

$\Delta p$ -curves are measured at 30 cSt.

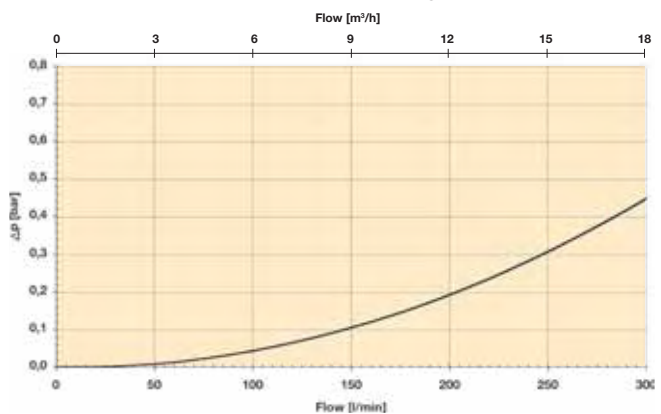
If the medium used has a viscosity different from 30 cSt, pressure drop over the element can be estimated as follows:

$$\Delta p_{\text{total}} = \Delta p_{\text{housing}} + \Delta p_{\text{element}} \times \frac{\text{working viscosity}}{30 \text{ cSt}}$$

GA1 housings



GA2-170/230 housings

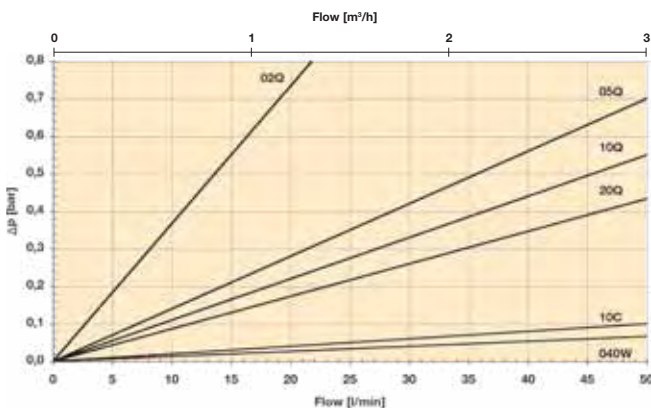




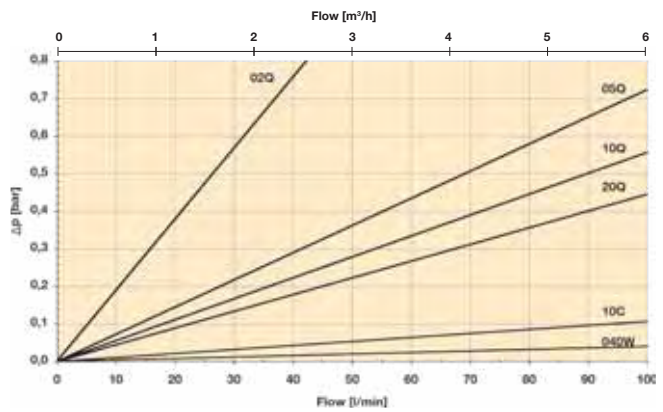
# GA Series

## Pressure Drop Curves for Elements

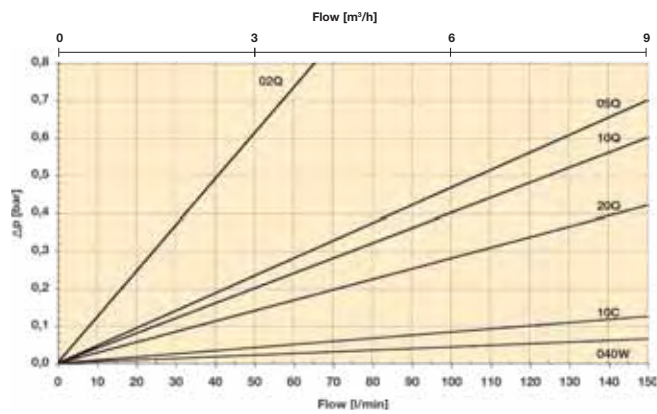
GA1-30 elements (Length 0)



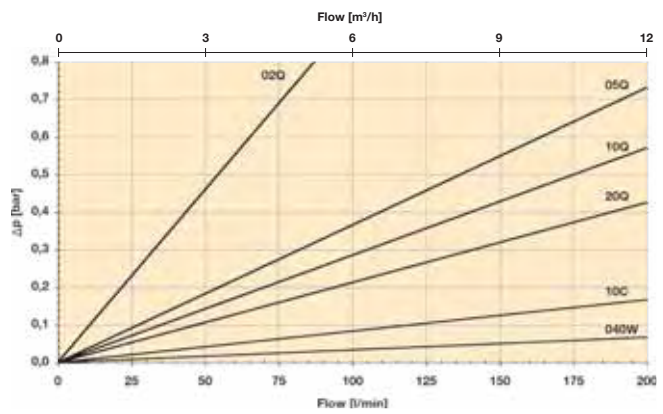
GA1-60 elements (Length 2)



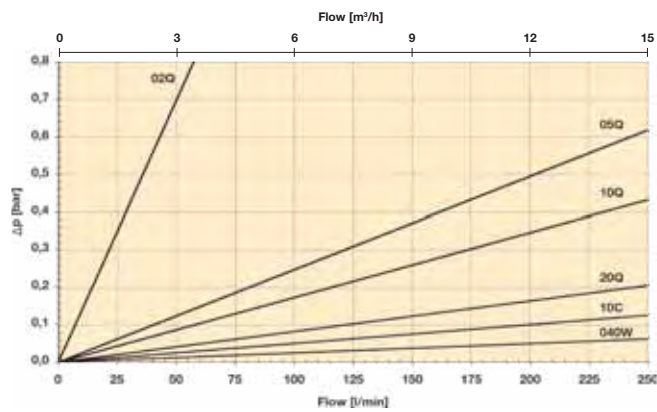
GA1-90 elements (Length 3)



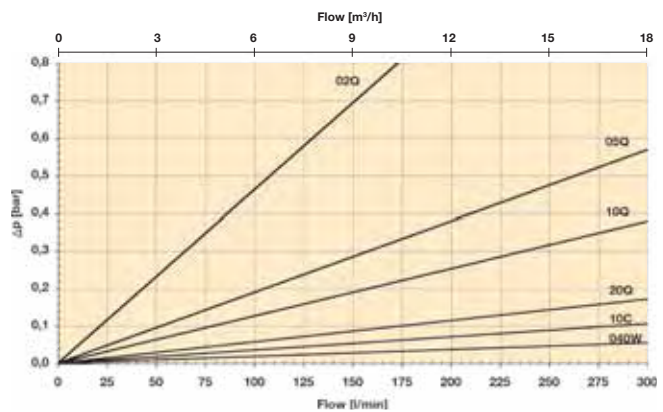
GA1-120 elements (Length 4)



GA2-170 elements (Length 6)



GA2-230 elements (Length 7)



# GA Series

## Medium Pressure Filters

### Product Description for GA

#### Complete Filter:

Table 1	Table 2	Table 3	Table 4	Table 5	Table 6	Table 7	Table 8
---------	---------	---------	---------	---------	---------	---------	---------

Table 1

FILTER TYPE	
Model	CODE
Medium pressure filter, aluminium	GA

Table 2

FILTER SIZE	
Housing size - element length	CODE
1-30	0
1-60	2
1-90	3
1-120	4
2-170	6
2-230	7

Table 3

DEGREE OF FILTRATION	
Element type	CODE
<b>Microglass III</b>	
Glassfibre 2 µm	02Q
Glassfibre 5 µm	05Q
Glassfibre 10 µm	10Q
Glassfibre 20 µm	20Q
<b>LEIF® elements</b>	
Glassfibre 2 µm	02QL
Glassfibre 5 µm	05QL
Glassfibre 10 µm	10QL
Glassfibre 20 µm	20QL
<b>Other medias</b>	
Cellulose 10 µm (nom)	10C
Cleanable metal mesh 40 µm	040W

Table 4

SEAL TYPE	
Seal material	CODE
Nitrile	B
Fluoroelastomer	V
Neoprene	N

Table 5

INDICATORS	
Options	CODE
Visual indicator on right*	D3
Visual indicator on left*	D4
Visual-electrical indicator on right*	E3
Visual-electrical indicator on left*	E4
Both indicator ports plugged	P2

\* Indicator ports on other side machined and plugged.

Table 6

BYPASS VALVE	
Bypass/indicator setting	CODE
0.8 bar/0.7 bar	B
1.5 bar/1.2 bar	E
2.0 bar/1.2 bar	H
No/No	X

Table 7

FILTER CONNECTIONS	
Port size	CODE
G $\frac{3}{4}$ (length 0)	G12
G1 (length 2 and 3)	G16
G1 $\frac{1}{4}$ (length 4)	G20
G1 $\frac{1}{2}$ (length 6 and 7)	G24

Table 8

OPTIONS	
Options	CODE
With bypass and magnets	1
No bypass, with magnets	2
With bypass, no magnets	5
No bypass, no magnets	6

### CONVENTIONAL TYPE REPLACEMENT ELEMENTS WITH NITRILE SEALS

Element length	Housing size	Microglass III				Cellulose 10 µm (nom)	Cleanable metal mesh 40 µm
		02Q	05Q	10Q	20Q		
0	1 - 30	937752Q	937753Q	937788Q	937789Q	937720	937821
2	1 - 60	937751Q	937754Q	<b>937787Q</b>	<b>937790Q</b>	937721	937820
3	1 - 90	937750Q	937755Q	937786Q	937791Q	937722	937819
4	1 - 120	937749Q	937756Q	<b>937785Q</b>	<b>937792Q</b>	937723	937818
6	2 - 170	937747Q	937758Q	937783Q	937794Q	937725	937816
7	2 - 230	937746Q	937759Q	<b>937782Q</b>	<b>937795Q</b>	937726	937815

### LEIF® REPLACEMENT ELEMENTS

Element length	Housing size	Ecoglass III			
		02QL	05QL	10QL	20QL
0	1 - 30	937822Q	937885Q	937884Q	937883Q
2	1 - 60	937823Q	937880Q	<b>937881Q</b>	<b>937882Q</b>
3	1 - 90	937824Q	937879Q	937878Q	937877Q
4	1 - 120	937825Q	937850Q	<b>937851Q</b>	<b>937876Q</b>
6	2 - 170	937827Q	937848Q	937853Q	937874Q
7	2 - 230	937828Q	937847Q	<b>937854Q</b>	<b>937873Q</b>

### SPARE PARTS

Seal kit	CODE	
Seal material	GA0-4	GA6-7
Nitrile	2049010009	2049010010
Fluoroelastomer	2049010031	2049010032
Neoprene	2049010038	2049010039

Please note the bolded options reflect standard options with reduced lead-time.

# BGAH Series

Medium Pressure Filters

Max. 500 l/min. 25 bar



## In-line solution for a straight pipeline

Pre-filtration by magnet column and a full-flow bypass with low hysteresis. Contamination-proof in-out filter principle. In- and outlet configuration allows integration in a straight pipeline. Nominal flow rate up to 500 l/min. Highly customizable for different applications.



## Contact Information: Applications:

Parker Hannifin  
**Hydraulic Filter Division Europe**

**European Product  
Information Centre**  
**Freephone: 00800 27 27 5374**  
**(from AT, BE, CH, CZ, DE, EE, ES,  
FI, FR, IE, IT, PT, SE, SK, UK)**  
**filtrationinfo@parker.com**

[www.parkerhfde.com](http://www.parkerhfde.com)

- Industrial gearboxes
- Wind turbines
- Stone crushers
- Bypass and off-line filtration
- Designed for hydraulic and lube applications

## Specification

### Assembly:

In-line filter

### Maximum operating pressure:

25 bar

### Nominal flow rate (30 cSt):

500 l/min (30 m<sup>3</sup>/h)

### Connections:

Flanges SAE 3" 3000-M

### Seal material:

Nitrile, optionally Fluoroelastomer or Neoprene

### Operating temperature:

-40°C...+100°C with Nitrile seals, -20°C...+120°C with Fluoroelastomer seals. For other temperatures consult Parker Filtration.

### Housing material:

Aluminium

### Weight:

BGAH 3-400: 21 kg

BGAH 3-500: 28 kg

### Bypass setting:

Opening pressure standard 1.5 bar, optionally 0.8 bar, 2.0 bar or blocked bypass

### Filtration materials:

- Ecoglass for LEIF® element with reusable metal element sleeve. *LEIF*® contributes to ISO14001.
- Glassfibre Microglass III
- Resin impregnated cellulose paper 10µm nominal
- Cleanable metal mesh

### Magnetic pack:

Standard

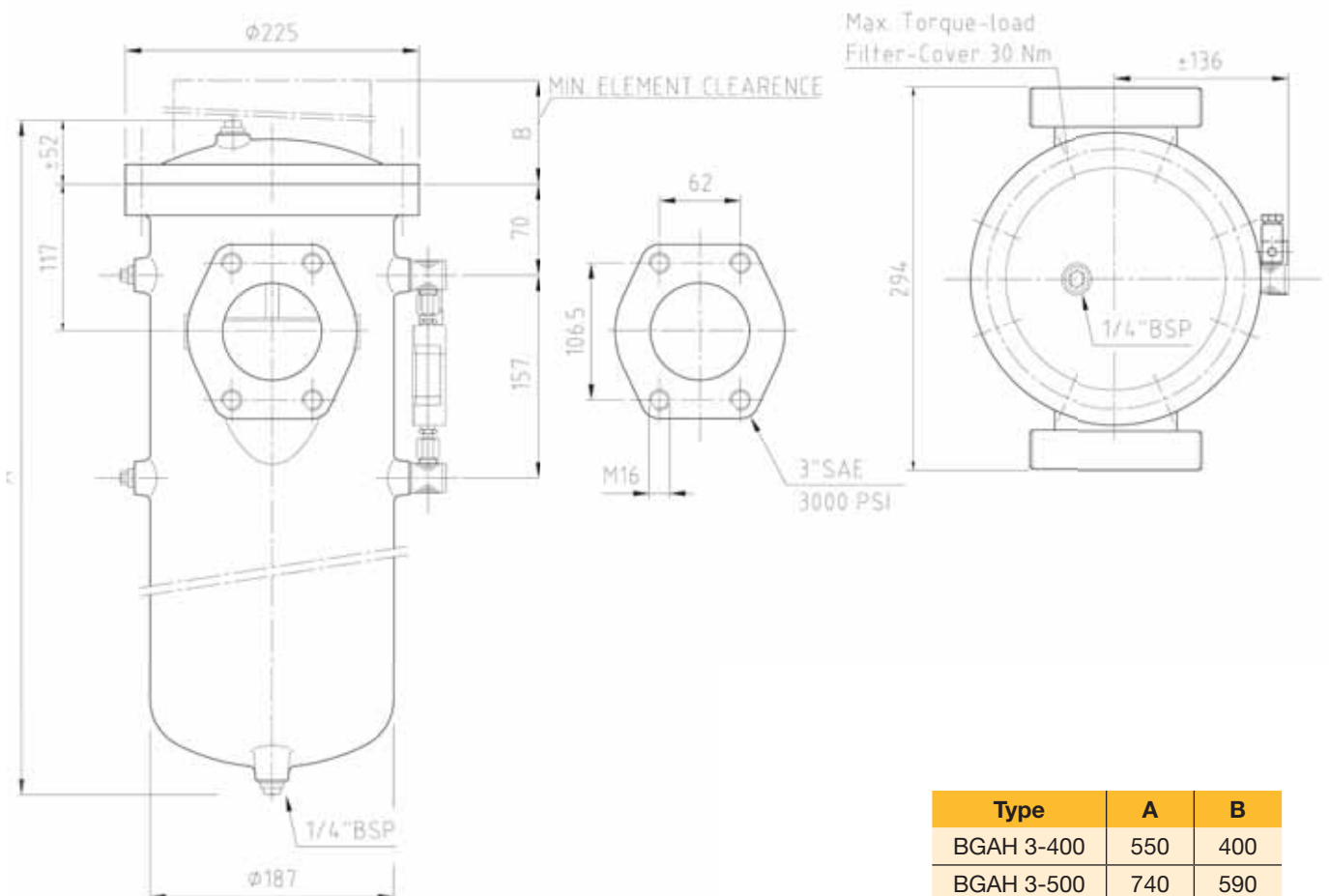
### Differential pressure indicators:

Visual or Visual-electrical indicator

Setting 1.2 bar (for 2.0 bar and 1.5 bar bypass) or 0.7 bar (for 0.8 bar bypass)

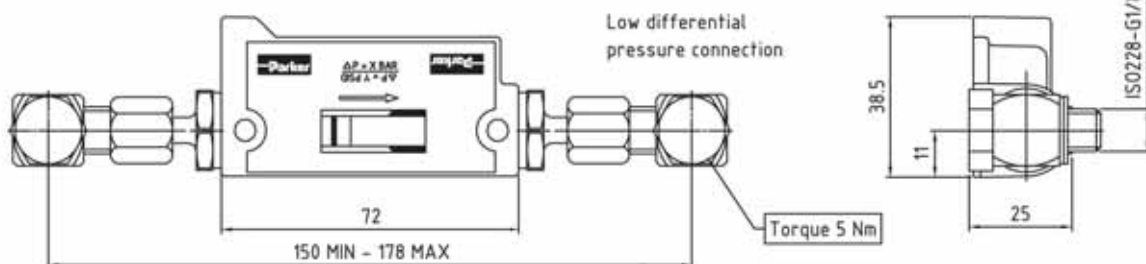
### Fluid compatibility:

Suitable for use with regular hydraulic and lubrication oils. For other fluids consult Parker Filtration.



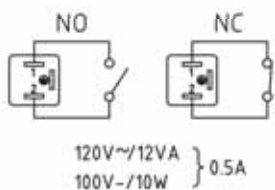
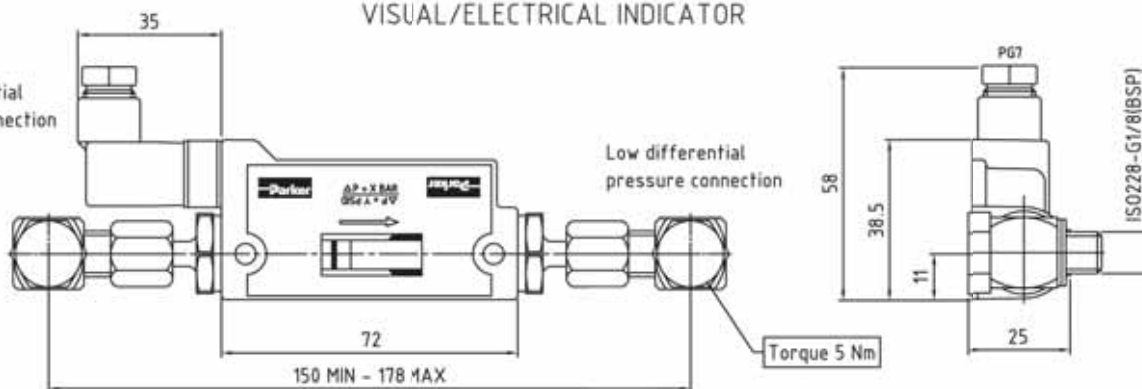
High differential pressure connection

### VISUAL INDICATOR



High differential pressure connection

### VISUAL/ELECTRICAL INDICATOR



#### Visual Indicator - Mounted with couplings to filter housing

Code (0.7 bar setting)	FMUDABBAXXXL
Code (1.2 bar setting)	FMUDAEBAXXXL

#### Electrical Indicator - Mounted with couplings to filter housing

Code (0.7 bar setting and NO type switch)	FMUEBBBAXXXL
Code (1.2 bar setting and NO type switch)	FMUEBEBAXXXL
Electric rating	120Vac/12VA or 100Vdc/10W
Electrical connection	AMP terminal 6.3. x 0.8 with plugged cable gland
Protection	IP65
Switch type	NO (NC on request)

# BGAH Series

## Pressure Drop Curves

$$\Delta p_{\text{total}} = \Delta p_{\text{housing}} + \Delta p_{\text{element}}$$

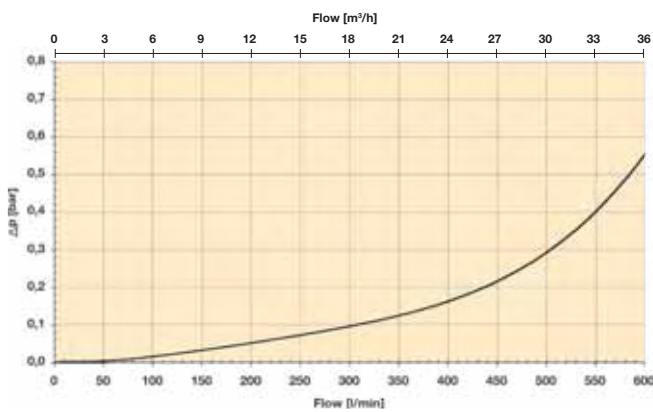
The recommended level of the initial pressure drop for this filter is maximum 0.5 bar.

$\Delta p$ -curves are measured at 30 cSt.

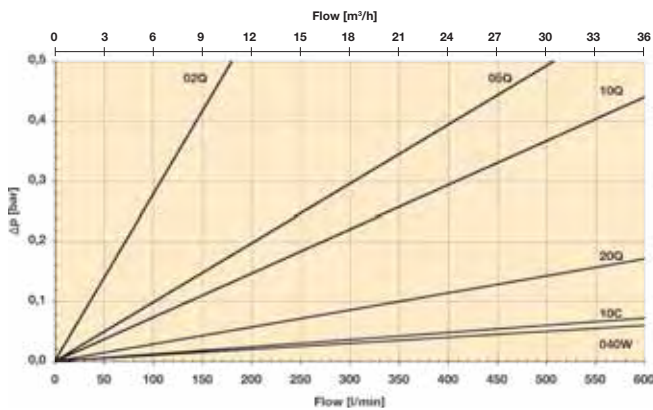
If the medium used has a viscosity different from 30 cSt, pressure drop over the element can be estimated as follows:

$$\Delta p_{\text{total}} = \Delta p_{\text{housing}} + \Delta p_{\text{element}} \times \frac{\text{working viscosity}}{30 \text{ cSt}}$$

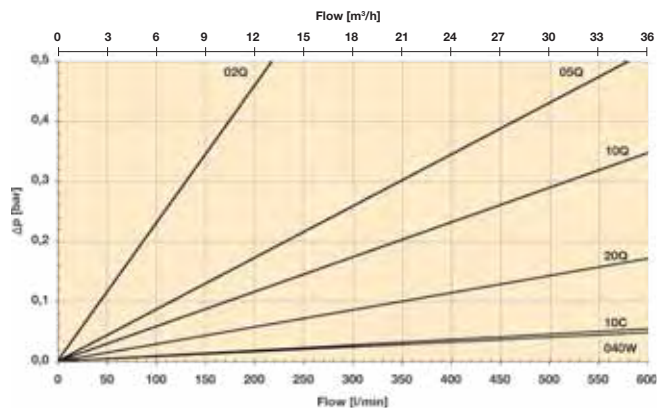
**BGAH housing**



**BGAH 3-400 elements (Length 11)**



**BGAH 3-500 elements (Length 12)**



# BGAH Series

## Medium Pressure Filters

### Product Description for BGAH

#### Complete Filter:

Table 1	Table 2	Table 3	Table 4	Table 5	Table 6	Table 7	Table 8
---------	---------	---------	---------	---------	---------	---------	---------

Table 1

FILTER TYPE	
Model	CODE
Medium pressure filter, aluminium	<b>BGAH</b>

Table 2

FILTER SIZE	
Housing size - element length	CODE
3-400	11
3-500	12

Table 3

DEGREE OF FILTRATION	
Element type	CODE
<b>Microglass III</b>	
Glassfibre 2 µm	02Q
Glassfibre 5 µm	05Q
Glassfibre 10 µm	<b>10Q</b>
Glassfibre 20 µm	<b>20Q</b>
<b>LEIF® elements</b>	
Glassfibre 2 µm	02QL
Glassfibre 5 µm	05QL
Glassfibre 10 µm	<b>10QL</b>
Glassfibre 20 µm	<b>20QL</b>
<b>Other medias</b>	
Cellulose 10 µm (nom)	10C
Cleanable metal mesh 40 µm	040W

Table 4

SEAL TYPE	
Seal material	CODE
Nitrile	<b>B</b>
Fluoroelastomer	V
Neoprene	N

Table 5

INDICATORS	
Options	CODE
Visual indicator on right*	<b>D8</b>
Visual indicator on left*	D9
Visual-electrical indicator on right*	<b>E9</b>
Visual-electrical indicator on left*	EA
Both indicator ports plugged	<b>P2</b>

\* Indicator ports on other side machined and plugged.

Table 6

BYPASS VALVE	
Bypass/indicator setting	CODE
0.8 bar/0.7 bar	<b>B</b>
1.5 bar/1.2 bar	<b>E</b>
2.0 bar/1.2 bar	H
No/No	X

Table 7

FILTER CONNECTIONS	
Port size	CODE
SAE flange 3"-3000M	<b>R48</b>

Table 8

OPTIONS	
Options	CODE
With bypass and magnets	<b>1</b>
No bypass, with magnets	2
With bypass, no magnets	5
No bypass, no magnets	6



### CONVENTIONAL TYPE REPLACEMENT ELEMENTS WITH NITRILE SEALS

Element length	Housing size	Microglass III				Cellulose 10 µm (nom)	Cleanable metal mesh 40 µm
		02Q	05Q	10Q	20Q		
11	3-400	937742Q	937763Q	937778Q	937799Q	937728	937813
12	<b>3-500</b>	937741Q	937764Q	<b>937777Q</b>	<b>937800Q</b>	937729	937812

### LEIF® REPLACEMENT ELEMENTS

Element length	Housing size	Ecoglass III			
		02QL	05QL	10QL	20QL
11	3-400	937832Q	937843Q	937858Q	937869Q
12	<b>3-500</b>	937833Q	937842Q	<b>937859Q</b>	<b>937868Q</b>

### SPARE PARTS

Seal kit	CODE
<b>Seal material</b>	
Nitrile	2049010000
Fluoroelastomer	2049010055
Neoprene	2049010034

Please note the bolded options reflect standard options with reduced lead-time.

# BGLS Series

Low Pressure Filters  
Max. 2000 l/min. 10 bar



## Heavy duty in-line filter solution

Upper housing aluminium and lower housing steel allows low weight combined to high capacity. Magnetic pre-filtration and nominal flow up to 2000 l/min.



## Contact Information: Applications:

Parker Hannifin  
**Hydraulic Filter Division Europe**

**European Product  
Information Centre**  
Freephone: 00800 27 27 5374  
(from AT, BE, CH, CZ, DE, EE, ES,  
FI, FR, IE, IT, PT, SE, SK, UK)  
filtrationinfo@parker.com

[www.parkerhfde.com](http://www.parkerhfde.com)

- Lubrication systems
- Wind turbines
- Hydraulic presses
- Large industrial gearboxes

## Specification

### Assembly:

In-line filter

### Maximum operating pressure:

10 bar

### Nominal flow rate (30 cSt):

2000 l/min (120 m<sup>3</sup>/h)

### Connections:

Flanges SAE 3" 3000-M

### Seal material:

Nitrile, optionally Fluoroelastomer

### Operating temperature:

-40°C...+100°C with Nitrile seals, -20°C...+120°C with Fluoroelastomer seals. For other temperatures consult Parker Filtration.

### Housing material:

Upper housing aluminium, lower housing steel

### Weight:

BGLS 4-1000: 56 kg

BGLS 4-1500: 65 kg

BGLS 4-2000: 75 kg

### Bypass setting:

Opening pressure standard 1.5 bar, optionally 0.8 bar, 2.0 bar or blocked bypass

### Filtration materials:

- Ecoglass for LEIF® element with reusable metal element sleeve. *LEIF*® contributes to ISO14001.
- Glassfibre Microglass III
- Resin impregnated cellulose paper 10µm nominal
- Cleanable metal mesh

### Magnetic pack:

Standard

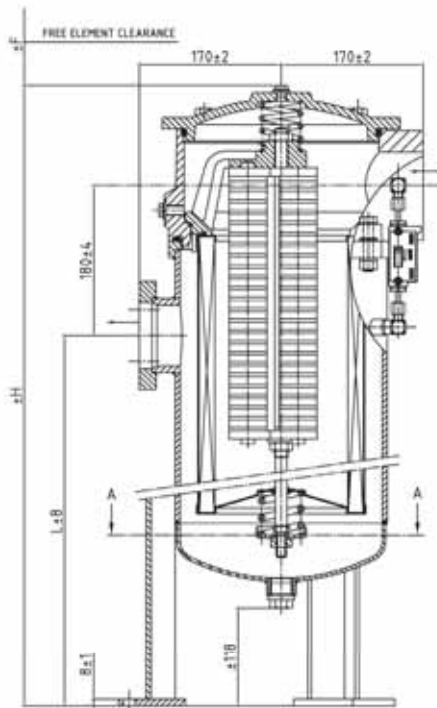
### Differential pressure indicators:

Visual or Visual-electrical indicator, see page 16.

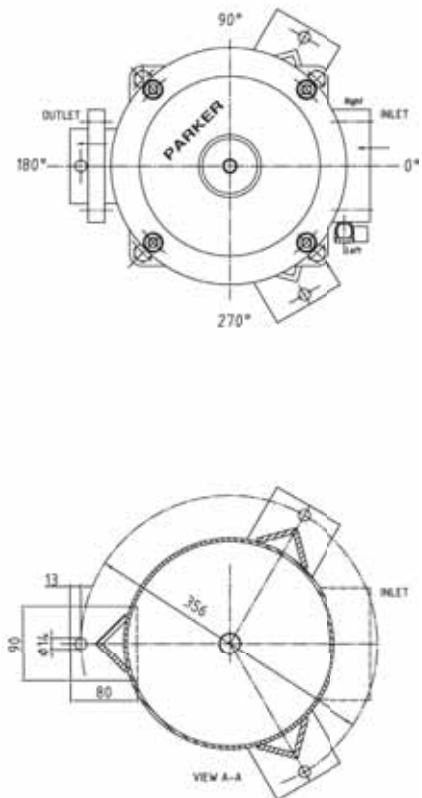
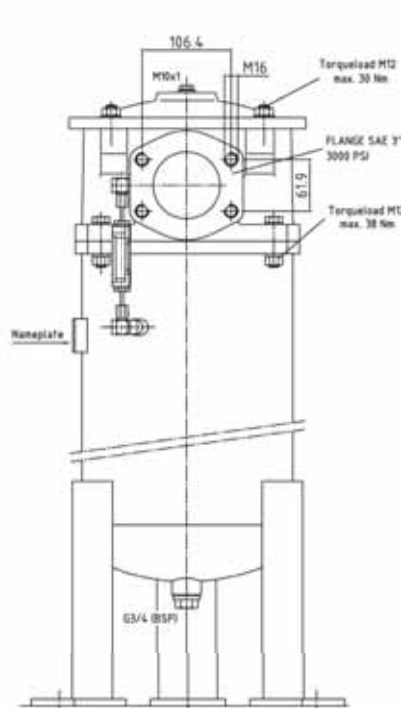
Setting 1.2 bar (for 2.0 bar and 1.5 bar bypass) or 0.7 bar (for 0.8 bar bypass).

### Fluid compatibility:

Suitable for use with regular hydraulic and lubrication oils. For other fluids consult Parker Filtration.



Indicator details, see page 16.



Type	H	L	F
1000	975	635	735
1500	1255	915	1015
2000	1520	1180	1280

# BGLS Series

## Pressure Drop Curves

$$\Delta p_{\text{total}} = \Delta p_{\text{housing}} + \Delta p_{\text{element}}$$

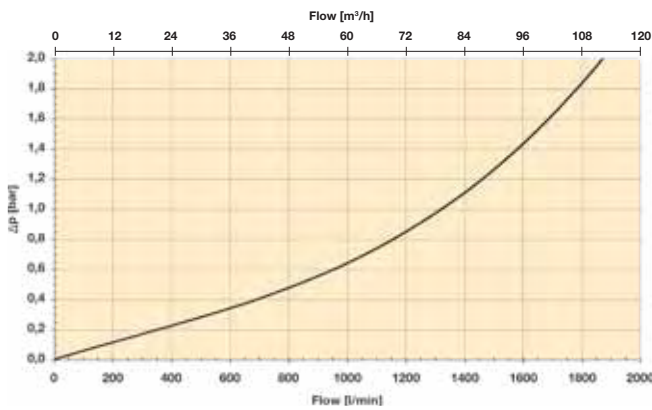
The recommended level of the initial pressure drop for this filter is maximum 0.5 bar.

$\Delta p$ -curves are measured at 30 cSt.

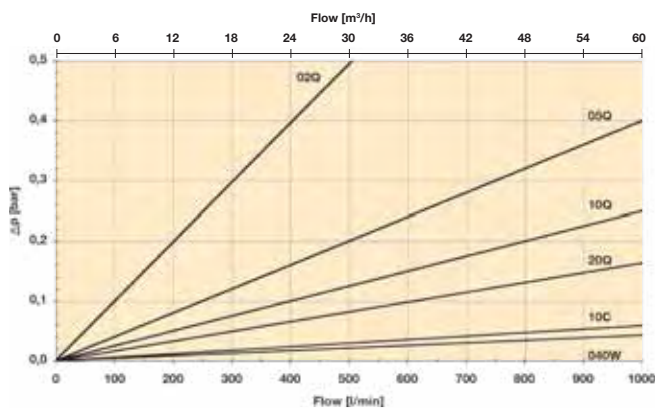
If the medium used has a viscosity different from 30 cSt, pressure drop over the element can be estimated as follows:

$$\Delta p_{\text{total}} = \Delta p_{\text{housing}} + \Delta p_{\text{element}} \times \frac{\text{working viscosity}}{30 \text{ cSt}}$$

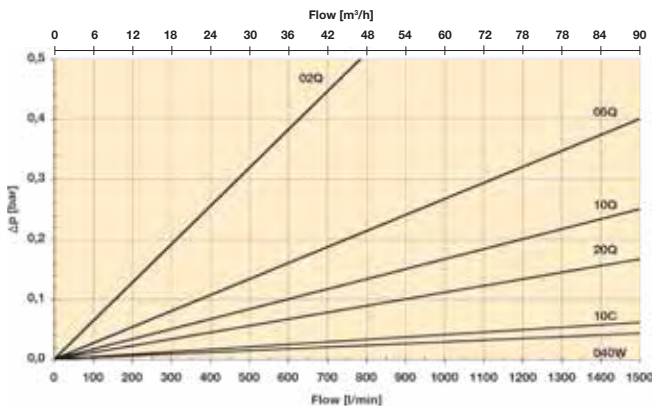
**BGLS housing**



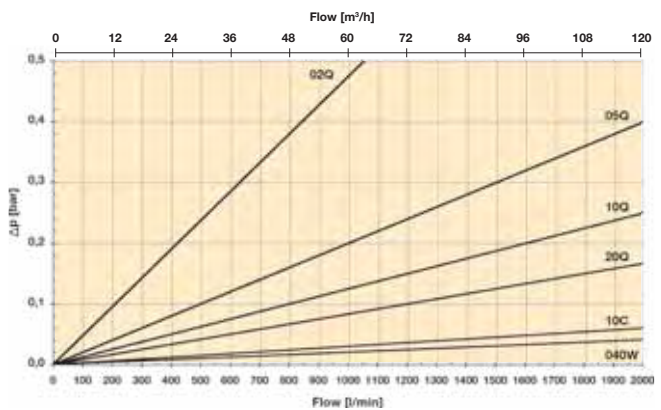
**BGLS 4-1000 elements (Length 15)**



**BGLS 4-1500 elements (Length 16)**



**BGLS 4-2000 elements (Length 17)**



### CONVENTIONAL TYPE REPLACEMENT ELEMENTS WITH NITRILE SEALS

Element length	Housing size	Microglass III				Cellulose 10 μm (nom)	Cleanable metal mesh 40 μm
		02Q	05Q	10Q	20Q		
15	4-1000	937738Q	937767Q	<b>937774Q</b>	<b>937803Q</b>	937732	937809
16	4-1500	937737Q	937768Q	937773Q	937804Q	937733	937808
17	4-2000	937736Q	937769Q	<b>937772Q</b>	<b>937805Q</b>	937734	937807



## Product Description for BGLS

### Complete Filter:

Table 1

--

Table 2

--

Table 3

--

Table 4

--

Table 5

--

Table 6

--

Table 7

--

Table 8

--

Table 1

FILTER TYPE	
Model	CODE
Medium pressure filter, upper housing aluminium, lower housing steel	<b>BGLS</b>

Table 2

FILTER SIZE	
Housing size - element length	CODE
4-1000	<b>15</b>
4-1500	16
4-2000	<b>17</b>

Table 3

DEGREE OF FILTRATION	
Element type	CODE
<b>Microglass III</b>	
Glassfibre 2 µm	02Q
Glassfibre 5 µm	05Q
Glassfibre 10 µm	<b>10Q</b>
Glassfibre 20 µm	<b>20Q</b>
<b>LEIF® elements</b> (not available for length 17)	
Glassfibre 2 µm	02QL
Glassfibre 5 µm	05QL
Glassfibre 10 µm	<b>10QL</b>
Glassfibre 20 µm	<b>20QL</b>
<b>Other medias</b>	
Cellulose 10 µm (nom)	10C
Cleanable metal mesh 40 µm	040W

Table 4

SEAL TYPE	
Seal material	CODE
Nitrile	<b>B</b>
Fluoroelastomer	V

LEIF® REPLACEMENT ELEMENTS					
Element length	Housing size	Ecoglass III			
		02QL	05QL	10QL	20QL
15	4-1000	937836Q	937839Q	<b>937862Q</b>	<b>937865Q</b>
16	4-1500	937837Q	937838Q	937863Q	937864Q
17	4-2000	NA	NA	NA	NA

Table 5

INDICATORS	
Options	CODE
Visual indicator on right	<b>D6</b>
Visual indicator on left	D7
Visual-electrical indicator on right	<b>E7</b>
Visual-electrical indicator on left	E8
Plugged indicator ports on right	P

Table 6

BYPASS VALVE	
Bypass/indicator setting	CODE
0.8 bar/0.7 bar	B
1.5 bar/1.2 bar	<b>E</b>
2.0 bar/1.2 bar	H
No/No	X

Table 7

FILTER CONNECTIONS	
Port size/outlet direction	CODE
SAE flange 3"-3000M/front (0°)	R48F
SAE flange 3"-3000M/right (90°)	R48R
SAE flange 3"-3000M/back (180°)	<b>R48B</b>
SAE flange 3"-3000M/left (270°)	R48L

Table 8

OPTIONS	
Options	CODE
With bypass and magnets	<b>1</b>
No bypass, with magnets	2
With bypass, no magnets	5
No bypass, no magnets	6

SPARE PARTS	
Seal kit	CODE
Seal material	
Nitrile	2049010023

Please note the bolded options reflect standard options with reduced lead-time.

# SF1040 Series

Low Pressure Filters

Max. 1400 l/min. 10 bar



## Multi-purpose filter for gas and high flow fluid systems

Strong welded steel construction housing features DN80 or DN100 connections. Several media options including PED 3 classified versions for gas applications. As options available safety filter to secure filtration even in by pass situations, and differential pressure indicator for accurate operation control.



## Contact Information: Applications:

Parker Hannifin  
**Hydraulic Filter Division Europe**

**European Product  
Information Centre**  
**Freephone: 00800 27 27 5374**  
**(from AT, BE, CH, CZ, DE, EE, ES,  
FI, FR, IE, IT, PT, SE, SK, UK)**  
**filtrationinfo@parker.com**

[www.parkerhfde.com](http://www.parkerhfde.com)

- Lubricating oil filter for industrial systems
- Gas fine filter for combustion engines
- Fuel oil filter for high flow systems
- Large on line low-pressure filter for hydraulic systems

## Specification

### Assembly:

In-line filter, vertical installation or optionally horizontal installation. Includes 2 elements.

### Maximum operating pressure:

10 bar

### Nominal flow rate (30 cSt):

1400 l/min (84 m<sup>3</sup>/h)

### Connections:

Flanges DN80/PN16 or DN100/PN16

### Seal material:

Fluoroelastomer

### Operating temperature:

-20°C...+120°C, with Fluoroelastomer seals,

-20°C...+160°C with metal mesh elements and Fluoroelastomer seals.

### Housing material:

Steel or stainless steel

### Weight:

100 kg

### Bypass valve:

Standard without bypass. Optionally opening pressure 2.0 bar.

### Filtration materials:

- Glassfibre Microglass III
- Resin impregnated cellulose paper 15 µm nominal
- Cleanable metal mesh

### Indicator options:

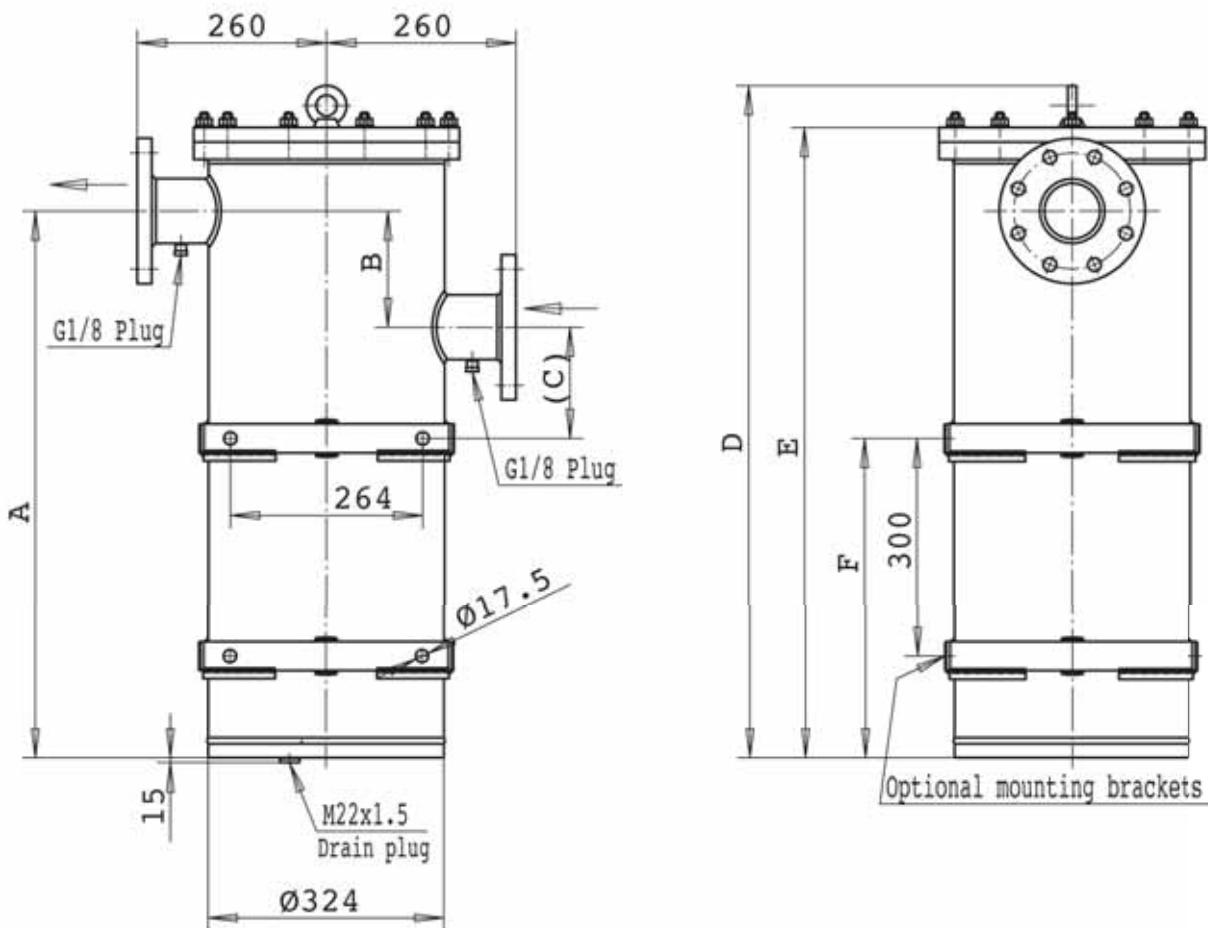
Visual, electrical or electronic indicator requires an indicator block. For details see indicator options table in product description page and catalogue section 4.

### Fluid compatibility:

Suitable for use with regular hydraulic and lubrication oils and fuel oils. For heavy fuel oil applications, please specify option P2 (see table 8 in product description) which ensures that filters are delivered with documentation according PED 97/23/EC category II.

Respectively for combustible gas applications, specify option P3 for PED category III. For other fluids consult Parker

Filtration.



Type	A	B	C	D	E	F
DN80/PN16	753	160	153	932	868	440
DN100/PN16	786	186	140	978	914	460

# SF1040 Series

## Pressure Drop Curves

$$\Delta p_{\text{total}} = \Delta p_{\text{housing}} + \Delta p_{\text{element}}$$

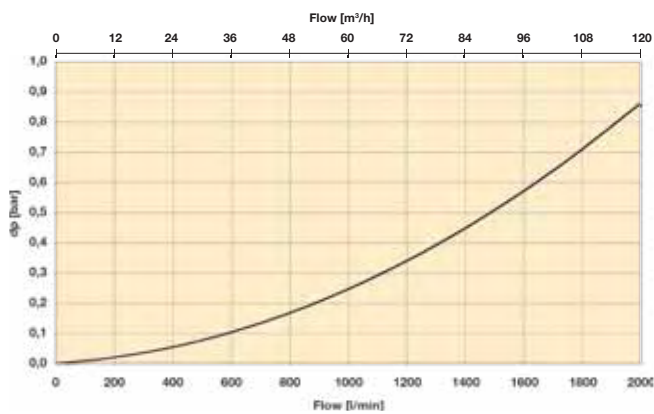
The recommended level of the initial pressure drop for this filter is maximum 0.5 bar.

$\Delta p$ -curves are measured at 30 cSt.

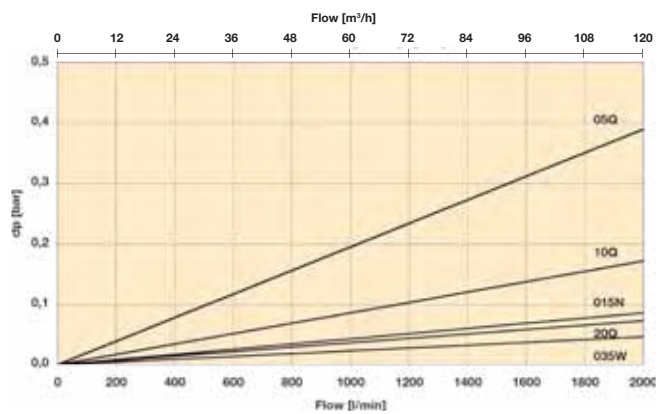
If the medium used has a viscosity different from 30 cSt, pressure drop over the element can be estimated as follows:

$$\Delta p_{\text{total}} = \Delta p_{\text{housing}} + \Delta p_{\text{element}} \times \frac{\text{working viscosity}}{30 \text{ cSt}}$$

SF1040 DN80/PN16 housing



SF1040 element pack (2 pcs)





## Product Description for SF1040

### Complete Filter:

Table 1

--

Table 2

--

Table 3

--

Table 4

--

Table 5

--

Table 6

--

Table 7

--

Table 8

--

Table 1

FILTER TYPE	
Model	CODE
Single filter	<b>SF1040</b>
Stainless steel housing	SFR1040
Horizontal installation	SFH1040

Table 2

FILTER SIZE	
Length/elements	CODE
2 elements housing	<b>2</b>

Table 3

DEGREE OF FILTRATION	
Element type	CODE
<b>Microglass III</b>	
Glassfibre 5 µm	05Q
Glassfibre 10 µm	<b>10Q</b>
Glassfibre 20 µm	<b>20Q</b>
<b>Other medias</b>	
Cellulose 15 µm (nom)	015N
Cleanable metal mesh 35 µm	035W
Cleanable metal mesh 60 µm	060W

Table 4

SEAL TYPE	
Seal material	CODE
Fluoroelastomer	<b>V</b>

REPLACEMENT ELEMENTS	
Media code	Order code
<b>Glassfibre</b>	<b>Microglass III</b>
05Q	939381Q
<b>10Q</b>	<b>939382Q</b>
<b>20Q</b>	<b>939383Q</b>
<b>Cellulose 15 µm (nom)</b>	
015N	939384
<b>Cleanable metal mesh</b>	
035W	939385
060W	939386

Table 5

INDICATORS	
Options	CODE
No indicator block	<b>N</b>
Indicator port plugged	<b>P</b>
Visual indicator	<b>M3</b>
Electrical indicator	<b>T1</b>
Electronic indicator (PNP/N.O.)	F1
Electronic indicator (NPN/N.O.)	F2
ATEX indicator PNP/N.O.	X1

Table 6

BYPASS VALVE	
Bypass/indicator setting	CODE
2.0 bar/1.5 bar	<b>H</b>
No/No	<b>X</b>

Table 7

FILTER CONNECTIONS	
Port size	CODE
DN80 T-port	<b>D80T</b>
DN80 C-port (both ports to same direction)	D80C
DN100 T-port	<b>D100T</b>

Table 8

OPTIONS	
Options	CODE
With bypass	<b>1</b>
No bypass	<b>2</b>
PED category 2	P2
PED category 3	P3
No mounting brackets	NB
Secondary element 60 µm	F

If several options are selected, please add the codes in order listed above.

SPARE PARTS	
Seal kit	CODE
<b>Seal material</b>	
Fluoroelastomer	916045044
<b>Secondary element</b>	<b>CODE</b>
Wire mesh 60 µm	939377

Please note the bolded options reflect standard options with reduced lead-time.

# Eco130 Series

Medium Pressure Filters

Max. 1400 l/min. 30 bar



## Modular system for industrial applications

High flow return filters for industrial use on hydraulic or lubrication systems. High flow and pressure up to 30 bar in single units. Ability to bank multiple filters together enables continuous filtration during element changes. Coreless Ecoglass III elements.



## Contact Information: Applications:

Parker Hannifin  
**Hydraulic Filter Division Europe**

**European Product  
Information Centre**  
**Freephone: 00800 27 27 5374**  
**(from AT, BE, CH, CZ, DE, EE, ES,  
FI, FR, IE, IT, PT, SE, SK, UK)**  
**filtrationinfo@parker.com**

[www.parkerhfde.com](http://www.parkerhfde.com)

- Paper production plants
- Steel mills
- Aluminium mills
- Industrial power packs
- Lubrication systems
- Power generation

## Specification

### Assembly:

In-line filter as a single filter, a dual unit, a parallel unit or a filter system with L-bore selecting valve assembly (only one side in use). Vertical installation.

### Maximum operating pressure:

Single filter: 30 bar

Dual and parallel units and filter systems: 16 bar

### Nominal flow rate (30 cSt):

Single filter: 1000 l/min (60 m<sup>3</sup>/h)

Dual and parallel units and filter systems: 1400 l/min (84 m<sup>3</sup>/h)

### Connections:

Single filter: Flanges SAE 2" 3000-M, SAE 2½" 3000-M or with adaptor threads G1½ or G2.

Dual units: Flanges SAE 3" 3000-M or with adaptor threads G2.

Parallel units and filter systems: DN80/PN16 or DN100/PN16.

### Seal material:

Nitrile or optionally fluoroelastomer

### Operating temperature:

-40°C...+100°C with Nitrile seals, -20°C...+120°C with Fluoroelastomer seals. For other temperatures consult Parker Filtration.

### Housing material:

Aluminium

### Weight:

See a table in dimension drawing

### Bypass valve:

Opening pressure 3.5 bar

### Filtration materials:

- Glassfibre Microglass III
- Environmentally friendly Ecoglass III. No metal parts.
- Cleanable metal mesh

### Indicator options:

For details see indicator options table on product description page and catalogue section 4.

### Differential pressure indicators:

Visual indicator always included to each column, setting 2.5 bar. Optional electrical or electronic indicators to be mounted on lower indicator port.

### Fluid compatibility:

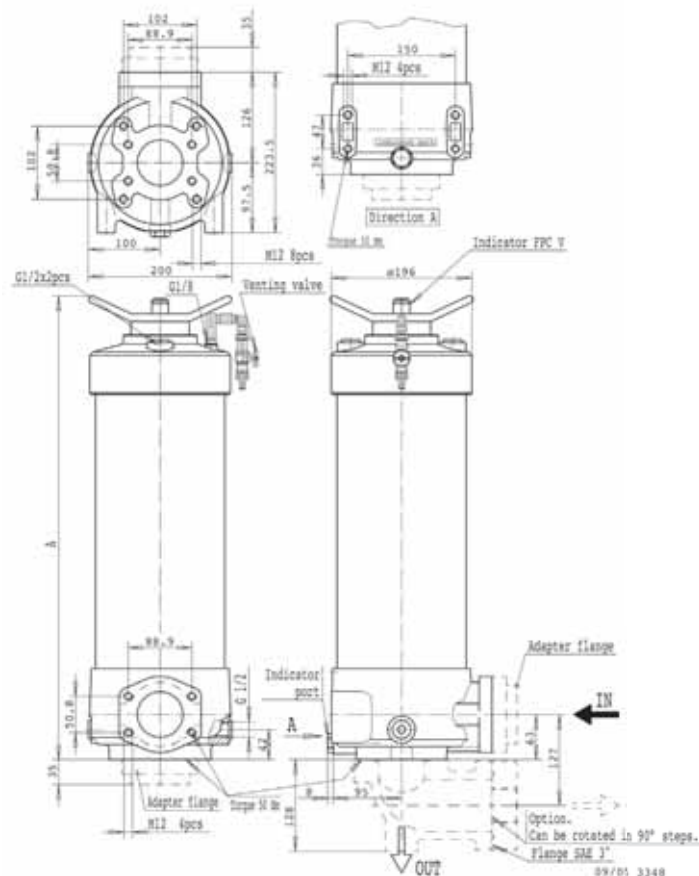
Suitable for use with regular hydraulic and lubrication oils. For other fluids consult Parker Filtration.

## Single Assemblies 130M

Connection options	
Body flange	SAE 2" 3000-M
	SAE 2½" 3000-M
Adaptor flange	G1½
	G2
	SAE 3" 3000-M (90° elbow)

Weights (kg)	Length 2	Length 3
Single	25	33
Dual D2	70	86
Parallel P2	75	90
System S2	110	130
System S4	205	235
System S6	260	310
System S8	340	705

Type	A
Length 2	650
Length 3	1210



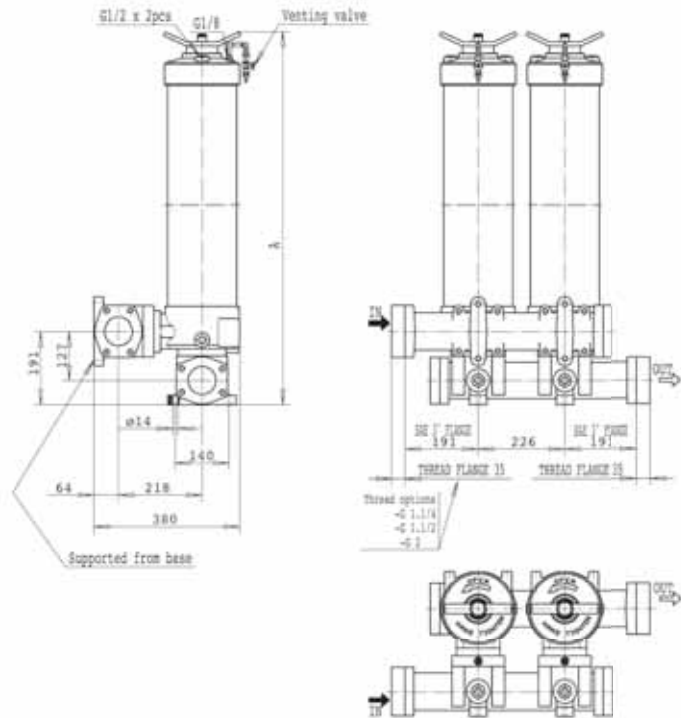
# Eco130 Series

## Medium Pressure Filters

### Dual System 130D

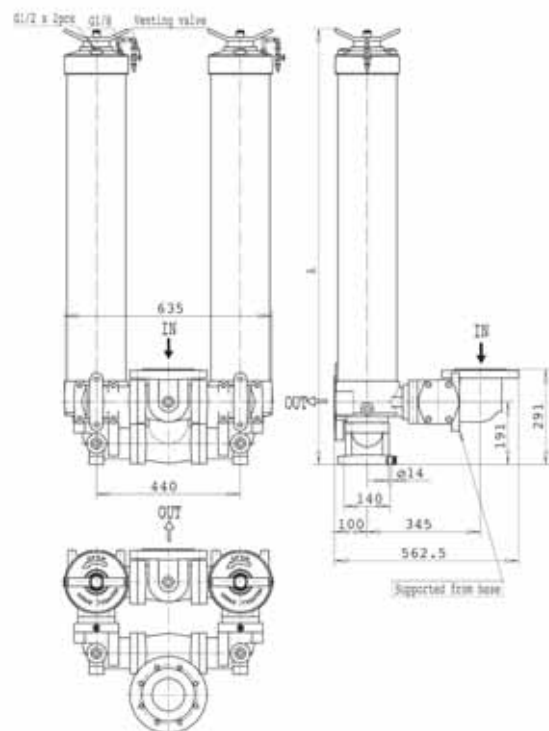
Connection options	
Body flange	SAE 3" 3000-M
Adaptor flange thread	G2

Type	A
Length 2	780
Length 3	1340



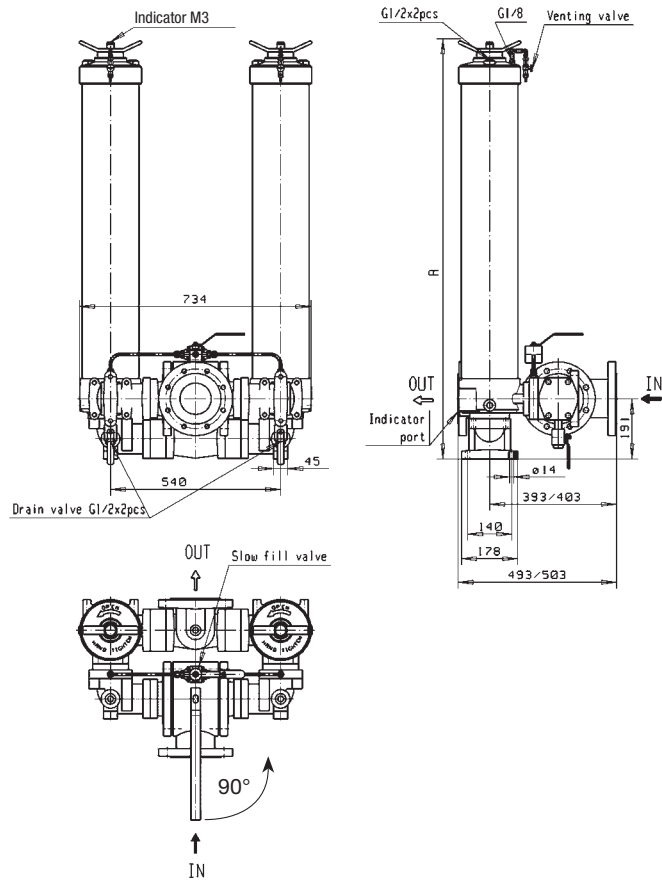
### Parallel System 130N

Type	A
Length 2	780
Length 3	1340



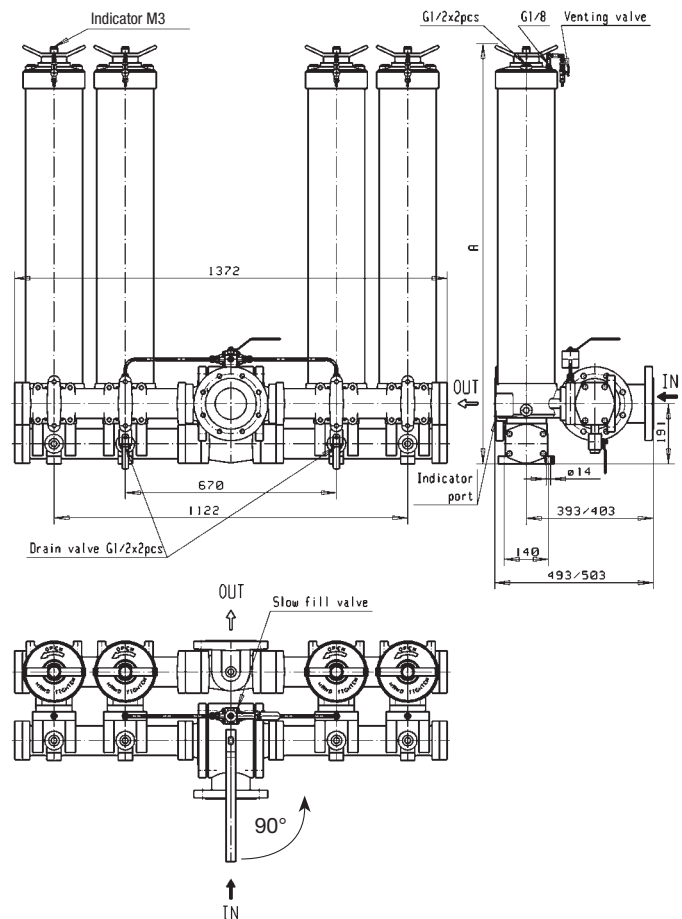
**130S System 1 + 1 units  
T-model**

Type	A
Length 2	780
Length 3	1340



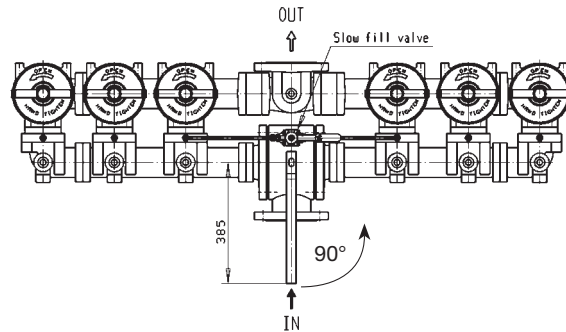
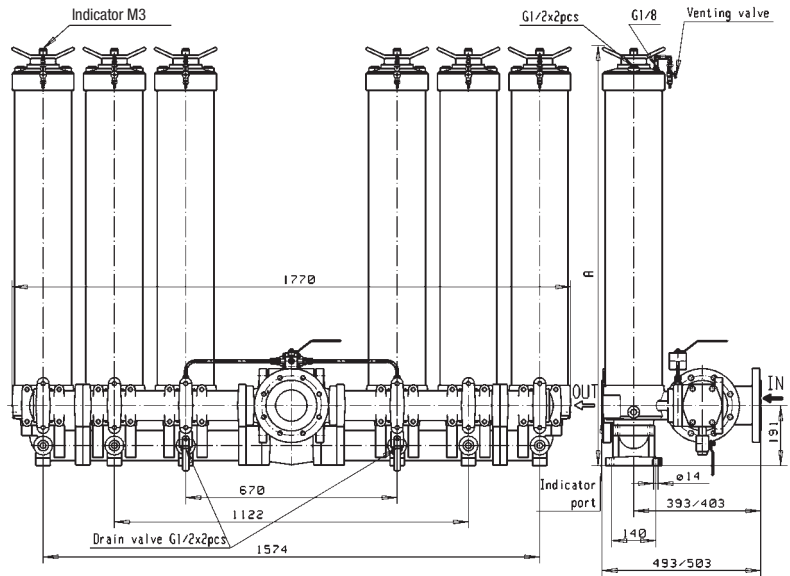
**130S System 2 + 2 units  
T-model**

Type	A
Length 2	780
Length 3	1340



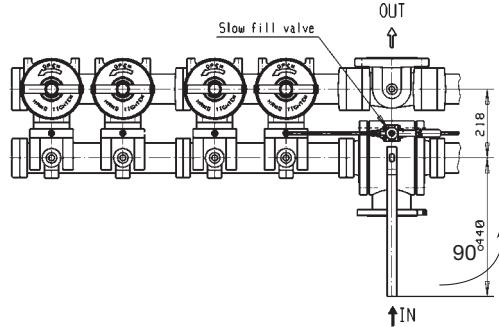
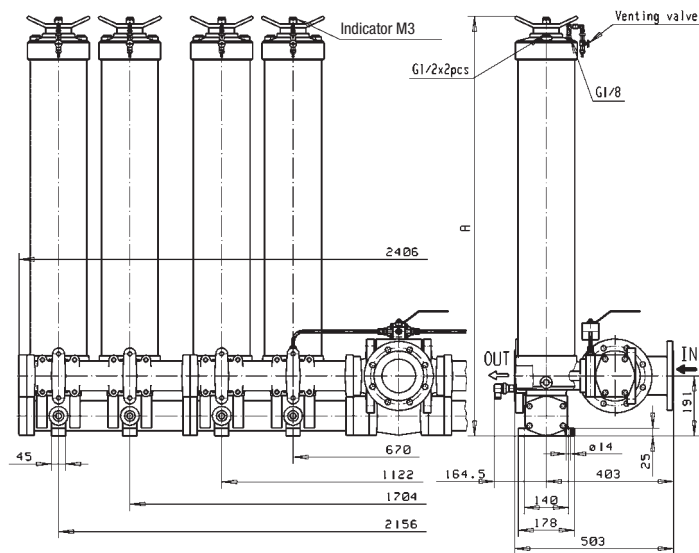
**130S System 3 + 3 units**  
**T-model**

Type	A
Length 2	780
Length 3	1340



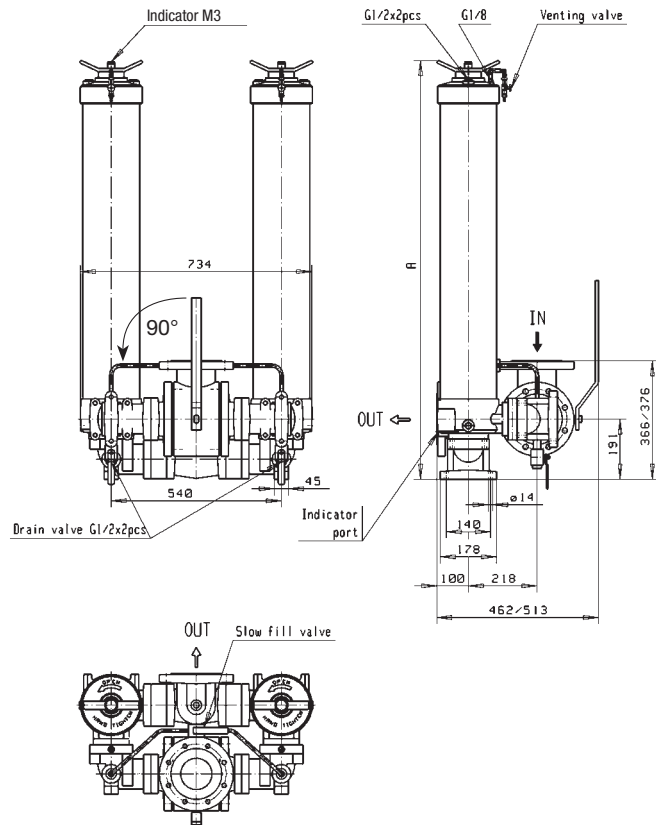
**130S System 4 + 4 units**  
**T-model**

Type	A
Length 2	780
Length 3	1340



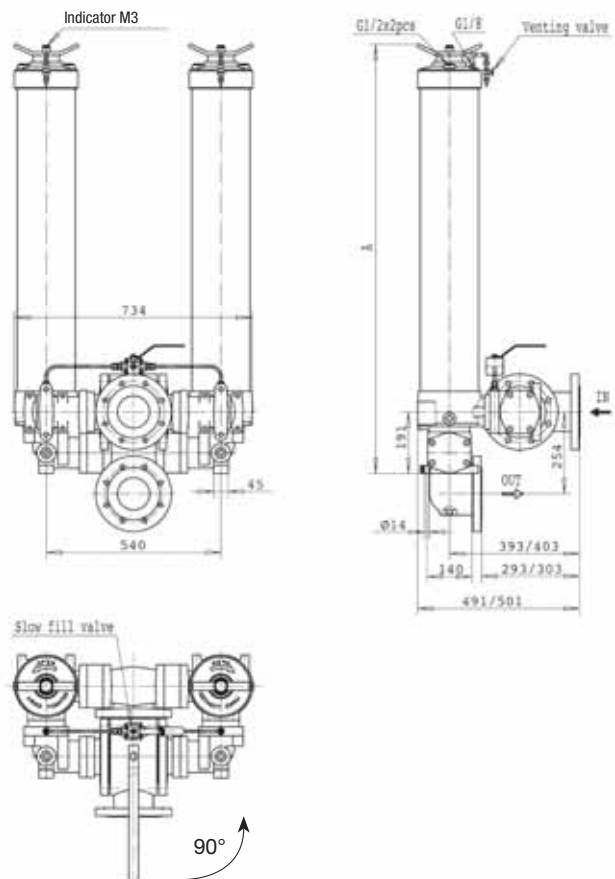
## 130S System L-model

Type	A
Length 2	780
Length 3	1340



## 130S System C-model

Type	A
Length 2	780
Length 3	1340



# Eco130 Series

## Pressure Drop Curves

$$\Delta p_{\text{total}} = \Delta p_{\text{housing}} + \Delta p_{\text{element}}$$

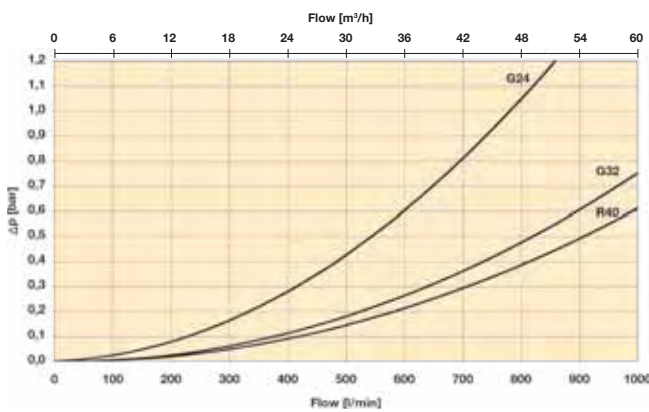
The recommended level of the initial pressure drop for this filter is maximum 0.8 bar.

$\Delta p$ -curves are measured at 30 cSt.

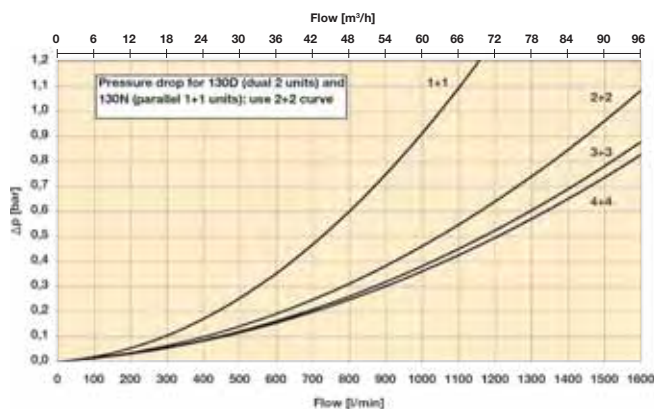
If the medium used has a viscosity different from 30 cSt, pressure drop over the element can be estimated as follows:

$$\Delta p_{\text{total}} = \Delta p_{\text{housing}} + \Delta p_{\text{element}} \times \frac{\text{working viscosity}}{30 \text{ cSt}}$$

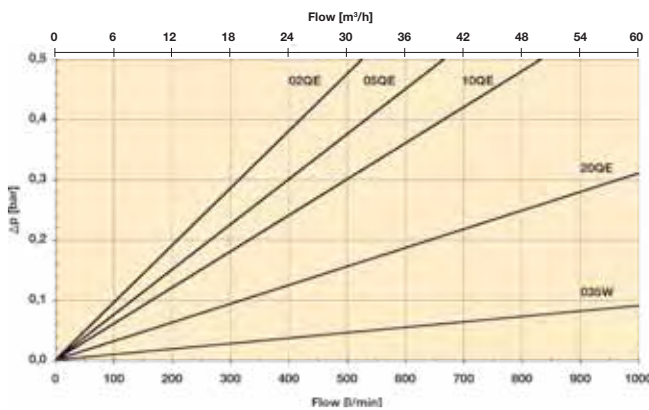
130M single unit housings



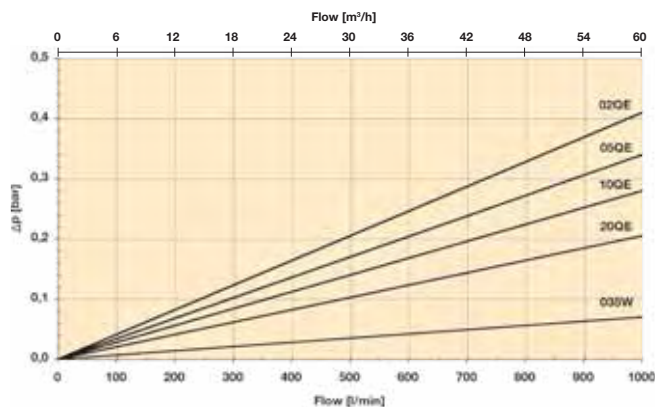
130S3 system housings with DN100



Length 2 elements



Length 3 elements



### REPLACEMENT ECO-ELEMENTS WITH NITRILE SEALS

Media	Length 2	Length 3
02QE	938721Q	938725Q
05QE	<b>938722Q</b>	<b>938726Q</b>
10QE	<b>938723Q</b>	<b>938727Q</b>
20QE	<b>938724Q</b>	<b>938728Q</b>

### REPLACEMENT ELEMENTS WITH NITRILE SEALS

Microglass III	Length 2	Length 3
02Q	938733Q	938737Q
05Q	938734Q	938738Q
10Q	938735Q	938739Q
20Q	938736Q	938740Q
Wire mesh		
035W	938760	938765
060W	938761	938766

Elements with fluoroelastomer seals: ask order codes from Parker Filtration.





## Product Description for Eco130

### Complete Filter:

Table 1

--

Table 2

--

Table 3

--

Table 4

--

Table 5

--

Table 6

--

Table 7

--

Table 8

--

Table 1

FILTER TYPE	
Model	CODE
Single unit	<b>130 M</b>
Dual unit	<b>130 D</b>
Parallel unit	<b>130 N</b>
System	<b>130 S</b>

Table 5

INDICATORS	
Options	CODE
Visual indicator	<b>M3</b>
Electrical indicator	T1
Electronic indicator (PNP/N.O.)	F1
Electronic indicator (NPN/N.O.)	F2

Table 2

FILTER TYPE	
Element length	CODE
Length 2	<b>2</b>
Length 3	<b>3</b>

Table 6

BYPASS VALVE	
Bypass/indicator setting	CODE
3.5 bar/2.5 bar	<b>K</b>

Table 3

DEGREE OF FILTRATION	
Element type	CODE
<b>Ecoglass III</b>	
Glassfibre 2 µm	02QE
Glassfibre 5 µm	<b>05QE</b>
Glassfibre 10 µm	<b>10QE</b>
Glassfibre 20 µm	<b>20QE</b>

Table 7

FILTER CONNECTIONS		
Port size	Filter type	CODE
G1½	130M	G24
G2	130M, 130D	G32
SAE flange 2"-3000M	130M	R32
SAE flange 2½"-3000M	130M	<b>R40</b>
SAE flange 3"-3000M	130D	<b>R48</b>
DN80/PN16	130N, 130S	<b>D80</b>
DN100/PN16	130N, 130S	<b>D100</b>

Filters with Microglass III and wire mesh elements available by request.

Table 4

SEAL TYPE	
Seal material	CODE
Nitrile	<b>B</b>
Fluoroelastomer	V

Table 8

OPTIONS	
Options	CODE
Standard single	<b>1</b>
Dual 2 units	<b>21</b>
Dual 3 units	31
Parallel 1+1 units	<b>21</b>
Parallel 2+2 units	41
T-system 1+1 units	<b>21</b>
T-system 2+2 units	<b>41</b>
T-system 3+3 units	<b>61</b>
T-system 4+4 units	<b>81</b>
L-system 1+1 units	27
L-system 2+2 units	47
L-system 3+3 units	67
L-system 4+4 units	87

SPARE PARTS	
Seal kit	CODE
Seal material	
Nitrile	918045059
Fluoroelastomer	918045076
<b>ECO adapter</b>	
130M2	918042078
130M3	918042077

Please note the bolded options reflect standard options with reduced lead-time.

130S Valve Seal Kit	
Part Number	Description
918045062	NITRILE SEAL KIT 130S VALVE

# DF2145

Duplex Filters

Max. 80 l/min. 30 bar



## Duplex safety for fuel, lube and hydraulic systems

Duplex operation for security and continuous flow. Several filtration media options include environmentally friendly Ecoglass III elements and allows wide selection of applications. Integrated differential pressure switch connection with shut off valve. Sturdy cast iron housing with pressure rating up to 30 bar. Block mounting available.



## Contact Information:

Parker Hannifin  
**Hydraulic Filter Division Europe**

**European Product  
Information Centre**  
Freephone: 00800 27 27 5374  
(from AT, BE, CH, CZ, DE, EE, ES,  
FI, FR, IE, IT, PT, SE, SK, UK)  
filtrationinfo@parker.com

www.parkerhfde.com

## Applications:

- Diesel engine fuel systems
- Industrial lube oil systems
- Industrial medium pressure hydraulic systems

## Specification

### Duplex filter:

Change-over valve with open center position. Handle locking device for both end positions. Vent valves with secured outlets on both sides. Integrated indicator port with test connections.

### Maximum operating pressure:

30 bar

### Connections:

Two sets of threads G<sup>3</sup>/<sub>4</sub> or M26 x 1.5. Connections on flange are plugged with steel plug.

### Seal material:

Fluoroelastomer

### Operating temperature:

-20°C...+120°C with Fluoroelastomer seals,  
-20°C...+160°C with metal mesh elements and  
Fluoroelastomer seals.

### Housing material:

Cast iron (GJS)

### Weight:

15 kg

### Nominal flow rate (30 cSt):

80 l/min (4,8 m<sup>3</sup>/h)

### Bypass valve:

Standard without bypass, optional opening pressure  
3.5 bar

### Filtration materials:

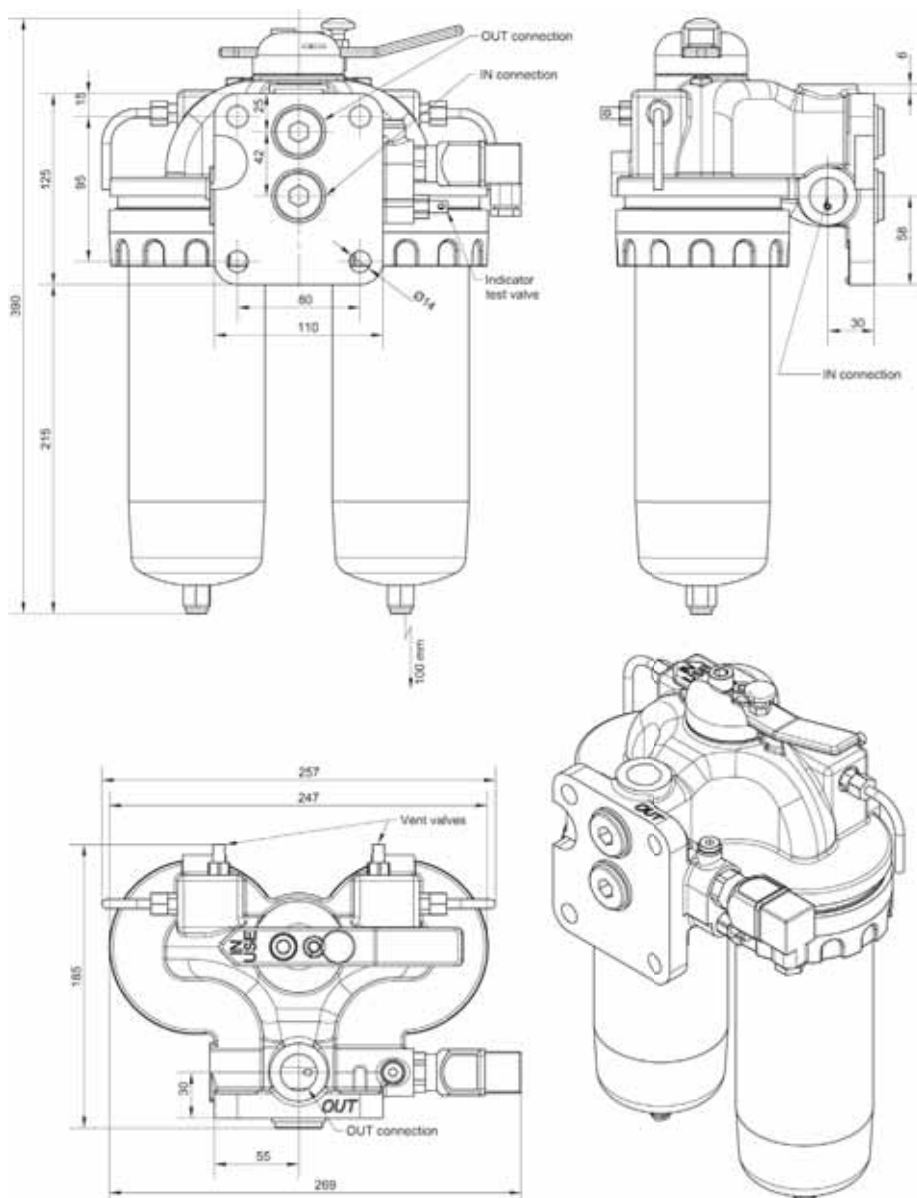
- Glassfibre Microglass III
- Environmentally friendly Ecoglass III. No metal parts. Ecoglass III contributes to ISO14001.
- Cleanable metall mesh
- Resin impregnated fine cellulose paper 10 µm nominal

### Differential pressure indicators:

Integrated indicator port. Filter can be equipped with visual, electrical or electronic differential pressure indicator. Setting 2.5 bar, other settings available. For details see indicator options table on product description page and catalogue section 4.

### Fluid compatibility:

Suitable for use with regular hydraulic and lubrication oils & light fuel oils (diesel). For heavy fuel oil applications, please specify option P2 (see table 8 in product description) which ensures that filters are delivered with documentation according PED 97/23/EC category II. For other fluids consult Parker Filtration.



# DF2145

## Pressure Drop Curves

$$\Delta p_{\text{total}} = \Delta p_{\text{housing}} + \Delta p_{\text{element}}$$

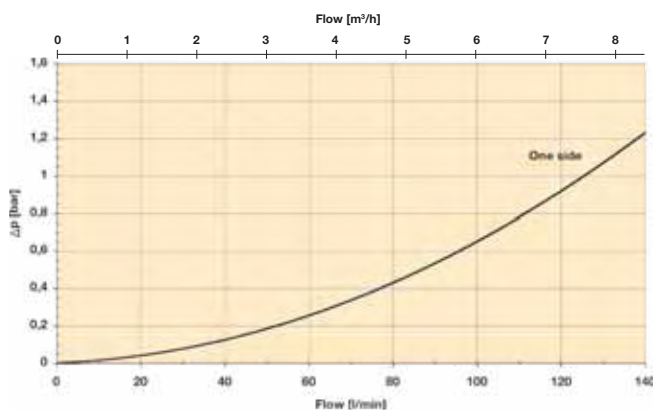
The recommended level of the initial pressure drop for this filter is maximum 0.5 bar.

$\Delta p$ -curves are measured at 30 cSt.

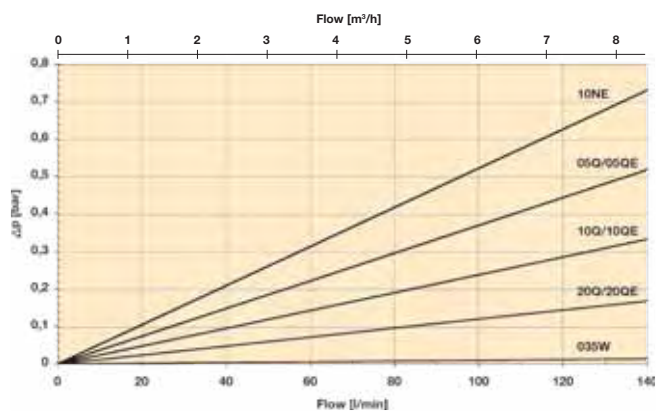
If the medium used has a viscosity different from 30 cSt, pressure drop over the element can be estimated as follows:

$$\Delta p_{\text{total}} = \Delta p_{\text{housing}} + \Delta p_{\text{element}} \times \frac{\text{working viscosity}}{30 \text{ cSt}}$$

DF2145 housing



DF2145 length 2 elements



### REPLACEMENT ELEMENTS WITH FLUOROELASTOMER SEALS

Media code	Order code	
<b>Glassfibre</b>	<b>Microglass III</b>	<b>Ecoglass III</b>
05Q/05QE	939011Q	939014Q
10Q/10QE	939012Q	939015Q
20Q/20QE	939013Q	939016Q
<b>Cellulose (Eco)</b>		
NE10	939017	
<b>Cleanable metal mesh</b>		
035W	939018	
060W	939019	

## Product Description for DF2145

### Complete Filter:

Table 1

--

Table 2

--

Table 3

--

Table 4

--

Table 5

--

Table 6

--

Table 7

--

Table 8

--

Table 1

FILTER TYPE	
Model	CODE
Duplex filter	<b>DF2145</b>

Table 2

FILTER SIZE	
Element length	CODE
Length 2	<b>2</b>

Table 3

DEGREE OF FILTRATION	
Element type	CODE
<b>Microglass III</b>	
Glassfibre 5 µm	05Q
Glassfibre 10 µm	<b>10Q</b>
Glassfibre 20 µm	<b>20Q</b>
<b>Ecoglass III</b>	
Glassfibre 5 µm	05QE
Glassfibre 10 µm	<b>10QE</b>
Glassfibre 20 µm	<b>20QE</b>
<b>Other medias</b>	
Cellulose 10 µm (nom) ECO	10NE
Cleanable metal mesh 35 µm	035W
Cleanable metal mesh 60 µm	060W

Table 4

SEAL TYPE	
Seal material	CODE
Fluoroelastomer	<b>V</b>

Table 5

INDICATORS	
Options	CODE
Indicator port plugged	<b>P</b>
Visual indicator	<b>M3</b>
Electrical indicator	<b>T1</b>
Electronic indicator (PNP/N.O.)	F1
Electronic indicator (NPN/N.O.)	F2

Table 6

BYPASS VALVE	
Bypass/indicator setting	CODE
3.5 bar/2.5 bar	<b>K</b>
No/No	<b>X</b>

Table 7

FILTER CONNECTIONS	
Port size	CODE
G $\frac{3}{4}$	<b>G12</b>
M26x1.5	M26

Table 8

OPTIONS	
Options	CODE
With bypass	<b>1</b>
No bypass	<b>2</b>
PED category 2	P2

If several options are selected, please add the codes in order listed above.

SPARE PARTS	
Seal kits (fluoroelastomer)	CODE
Complete seal kit (includes also valve spool seals)	916045088
Service seal kit (includes seals for bowl, drain and Eco-adapter)	916045093
<b>ECO adapter</b>	
For Ecoglass III and 10NE elements	911042096

Please note the bolded options reflect standard options with reduced lead-time.

# DFBO Series

Duplex Fuel Filters  
Max. 90 l/min. 10 bar



## Continuous diesel filtration in Marine applications with DFBO duplex filter:

The new DFBO duplex filter brings Racor® FBO filters to engine room environment. The new duplex design ensures that fuel is efficiently filtered all the time. The cast iron head and steel bowls mean that it can be used in Marine applications.

The DFBO comes with two bowl lengths allowing diesel flows up to 90 l/min. Depending on the elements inside the unit can be used as a prefilter, a water separator/particle filter or a water absorptive filter. Easy service, no special tools are required.



## Contact Information:

Parker Hannifin  
**Hydraulic Filter Division Europe**

**European Product  
Information Centre**  
Freephone: 00800 27 27 5374  
(from AT, BE, CH, CZ, DE, EE, ES,  
FI, FR, IE, IT, PT, SE, SK, UK)  
filtrationinfo@parker.com

www.parkerhfde.com

## Applications:

- Fuel systems on diesel engines
- Marine fuel docks
- Diesel fuel dispensing system

## Specification

### Duplex filter:

Change-over valve with open center position. Locking device for both end positions and centre position. Manual vent valves and drain valves.

### Maximum operating pressure:

10 bar

### Connections:

Threaded ports M30 x 1,5 or optionally G1" facing downwards.

### Seal material:

Fluoroelastomer

### Operating temperature:

0°C...+80°C, for other temperatures consult Parker Filtration.

### Housing material:

Head material cast iron, bowl material steel.

### Weight:

40 kg

### Nominal flow rate (3 cSt):

DFBO-10: 70 l/min (4.2 m<sup>3</sup>/h)

DFBO-14: 90 l/min (5.4 m<sup>3</sup>/h)

### Bypass valve:

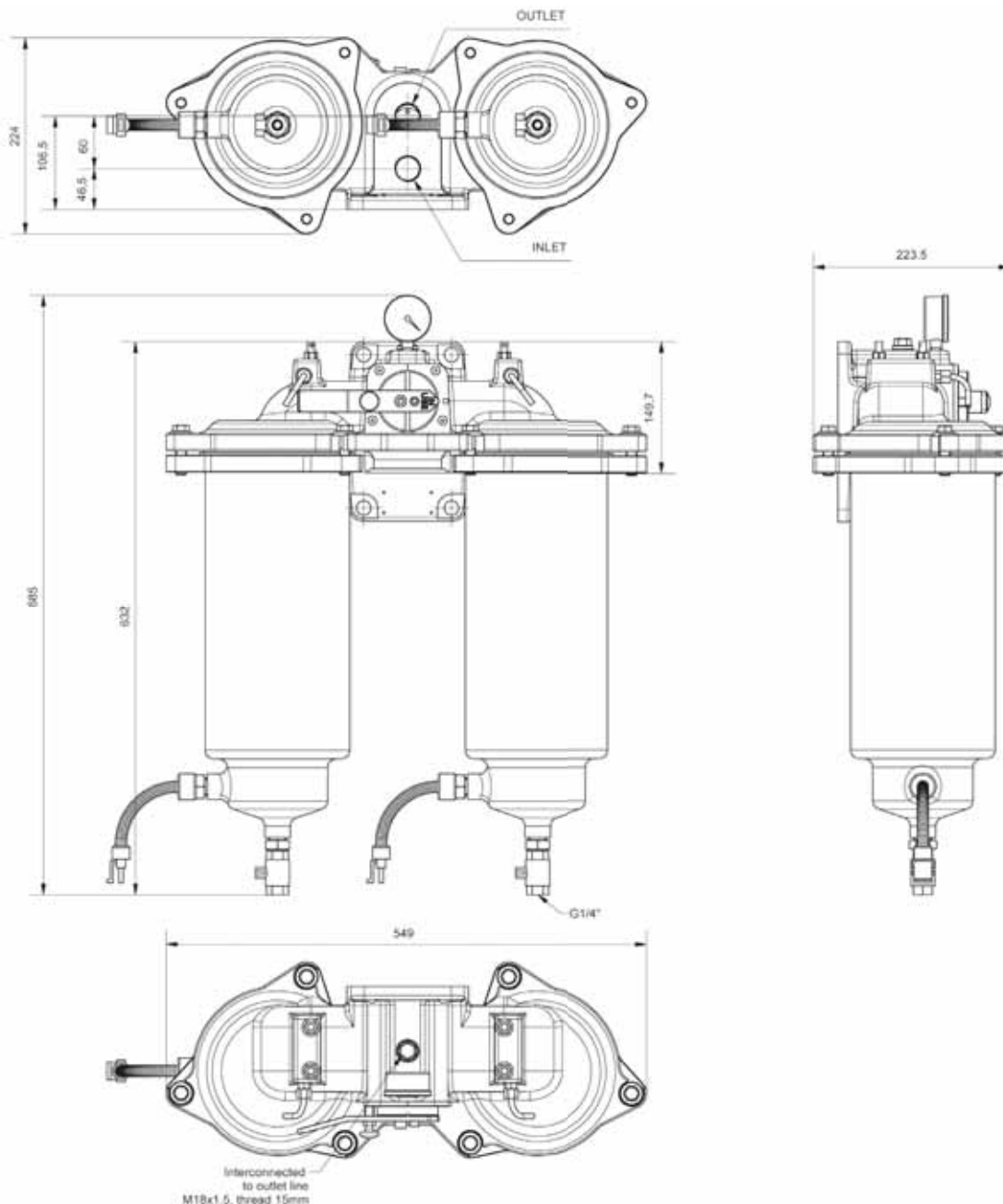
No bypass

### Filter elements:

Filter separator elements with micron ratings 10 µm and 25 µm remove water and contaminants from fuel streams. Other types of FBO elements and other ratings are available, see replacement element table on the following page.

### Fluid compatibility:

Suitable for use with diesel fuel, jet fuel, gasoline, kerosene, JP4, JP5 and JP8



## Product Description for DFBO

### Complete Filter:

Table 1	Table 2	Table 3	Table 4	Table 5	Table 6	Table 7	Table 8
---------	---------	---------	---------	---------	---------	---------	---------

Table 1

FILTER TYPE	
<b>Model</b>	<b>CODE</b>
Duplex filter	<b>DFBO</b>

Table 5

INDICATORS	
<b>Options</b>	<b>CODE</b>
Indicator port plugged	<b>P</b>
Vacum gauge in outlet side	<b>A</b>

Table 2

FILTER SIZE	
<b>Element length</b>	<b>CODE</b>
Length 10"	<b>10</b>
Length 14"	<b>14</b>

Table 6

INDICATOR SETTING	
<b>Options</b>	<b>CODE</b>
No indicator	<b>X</b>
1,0 bar (15 psi)	<b>F</b>

Table 3

MICRON RATING	
<b>Filter separator element</b>	<b>CODE</b>
Rating 10 µm	<b>10FS</b>
Rating 25 µm	<b>25FS</b>
Without elements	<b>XXX</b>

Table 7

FILTER CONNECTIONS	
<b>Port size</b>	<b>CODE</b>
M30 x 1,5 connections down	<b>MD30</b>
G1" - connections down	<b>GD16</b>

Table 4

SEAL TYPE	
<b>Seal material</b>	<b>CODE</b>
Fluoroelastomer	<b>V</b>

Table 8

OPTIONS	
<b>Options</b>	<b>CODE</b>
Standard	<b>1</b>
Sight level glass in bowl	<b>SG</b>
Water level probe in bowl	<b>WP</b>
Marine assembly	<b>MA</b>

Max flow rate [l/min] with marine diesel oil at 3 cSt	One side in use		Both sides in use	
	10 micron	25 micron	10 micron	25 micron
<b>DFBO-10</b>	<b>10FS</b>	<b>25FS</b>	<b>10FS</b>	<b>25FS</b>
Vacuum side	45	45	60	60
Pressure side	70	70	100	100
<b>DFBO-14</b>	<b>10FS</b>	<b>25FS</b>	<b>10FS</b>	<b>25FS</b>
Vacuum side	60	60	80	80
Pressure side	90	90	130	130

All FBO elements can be used in DFBO filter. Select your replacement elements from the table below.

Element	Micron	Filter Separator	Pre-Filter	Water Absorber
FBO-10	1	FBO 60327	FBO 60330	FBO 60333
	5	FBO 60328	FBO 60331	FBO 60334
	10	FBO 60353	FBO 60354	FBO 60355
	25	FBO 60329	FBO 60332	FBO 60335
FBO-14	1	FBO 60336	FBO 60339	FBO 60342
	5	FBO 60337	FBO 60340	FBO 60343
	10	FBO 60356	FBO 60357	FBO 60358
	25	FBO 60338	FBO 60341	FBO 60344





# DF40

Duplex Filters

Max. 200 l/min. 40 bar



## Cast iron duplex filter for Marine applications:

The new DF40 duplex filter gives you extra flexibility in installation because it can be serviced from the top or the bottom. The durable cast iron housing makes it an especially good fit for engine room applications.

The DF40 with flow up to 200 l/min and pressure up to 40 bar contains Eco elements which help to save the environment and reduce the customer's disposal costs as no metal parts are included. This filter also disposes of a double indicator port and test connections which can be isolated with shut-off valves for possible assembly and maintenance.



## Contact Information: Applications:

Parker Hannifin  
**Hydraulic Filter Division Europe**

**European Product  
Information Centre**  
**Freephone: 00800 27 27 5374**  
**(from AT, BE, CH, CZ, DE, EE, ES,  
FI, FR, IE, IT, PT, SE, SK, UK)**  
**filtrationinfo@parker.com**

[www.parkerhfde.com](http://www.parkerhfde.com)

- Fuel filter for diesel engines up to 10 MW
- Lubrication filter for gearboxes and propulsion systems
- Medium pressure duplex filter in hydraulic systems
- In-line return duplex filter in hydraulic systems

## Specification

### Duplex filter:

Change-over valve with open center position. Locking device for both end positions. Element change is possible by opening either the top cover or the bowl in the bottom. Safety guards ensure that pressure is released prior opening the filter.

### Maximum operating pressure:

40 bar

### Connections:

Flanges SAE 1½" 3000-M as standard. Optional thread connections G1½ and G1¼ available with flange adapters.

### Seal material:

Fluoroelastomer

### Operating temperature:

-20°C...+120°C with Fluoroelastomer seals,  
-20°C...+160°C with metal mesh elements and Fluoroelastomer seals.

### Housing material:

Cast iron (GJS)

### Weight:

52 kg

### Nominal flow rate (30 cSt):

200 l/min (12 m³/h)

### Bypass valve:

Standard without bypass, optional opening pressure 3.5 bar

### Indicators:

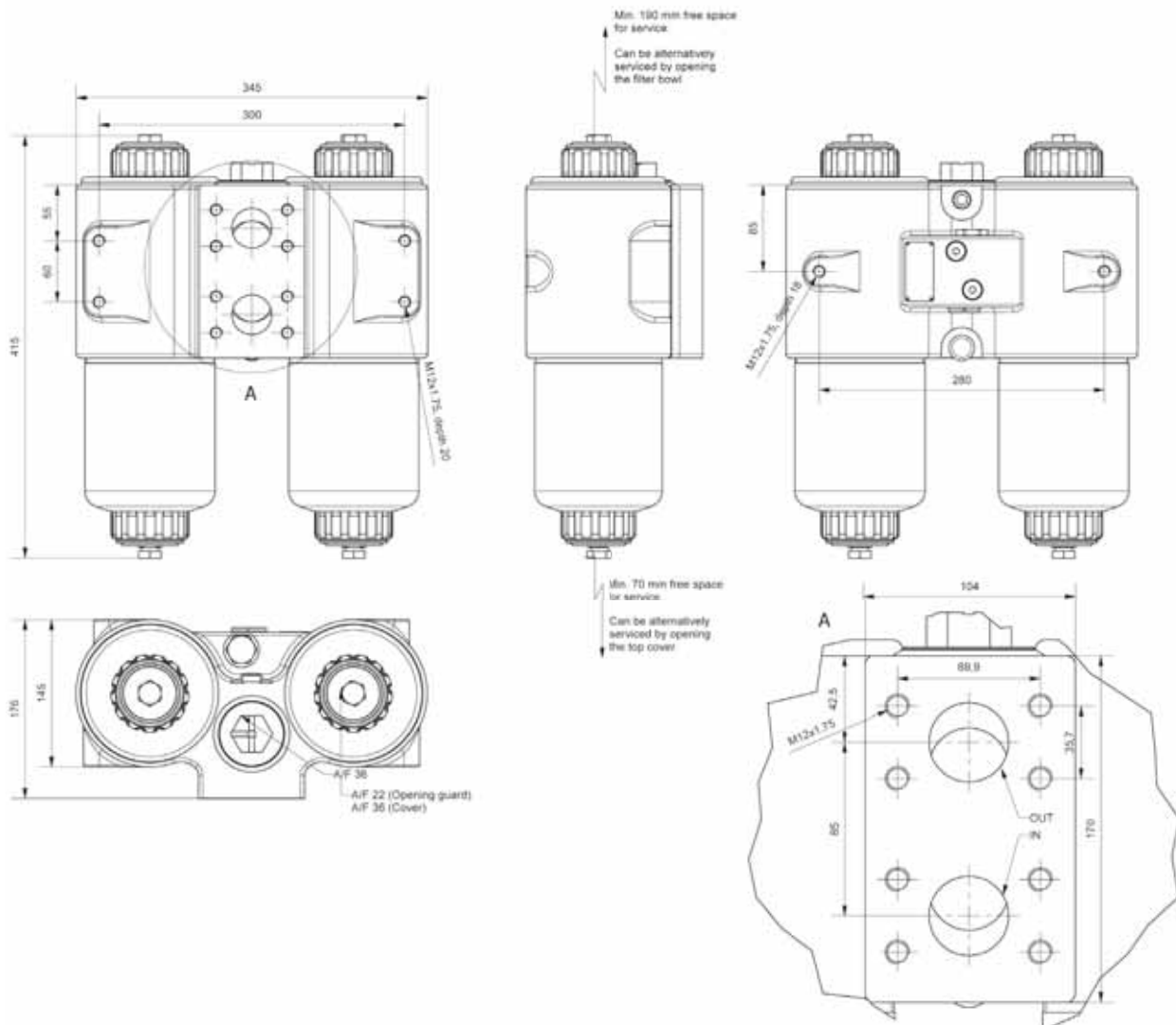
Integrated indicator port. Filter can be equipped with visual, electrical or electronic differential pressure indicator. Setting 2.5 bar, other settings available. Additional indicator port and isolation valves which also enable indicator testing are available by request. For details see indicator options table on product description page and catalogue section 4.

### Filter elements:

- Environmentally friendly Ecoglass III elements, micron ratings(abs): 2 µm, 5 µm, 10 µm and 20 µm. Ecoglass III elements contribute to ISO14001 because they do not include metal parts.
- Glassfibre Microglass III elements, micron ratings(abs): 2 µm, 5 µm, 10 µm and 20 µm.
- Cleanable metal mesh elements, micron ratings(abs): 35 µm and 60 µm

### Fluid compatibility:

Suitable for use with regular hydraulic and lubrication oils & light fuel oils. For heavy fuel oils and other fluids consult Parker Filtration.



# DF40

## Pressure Drop Curves

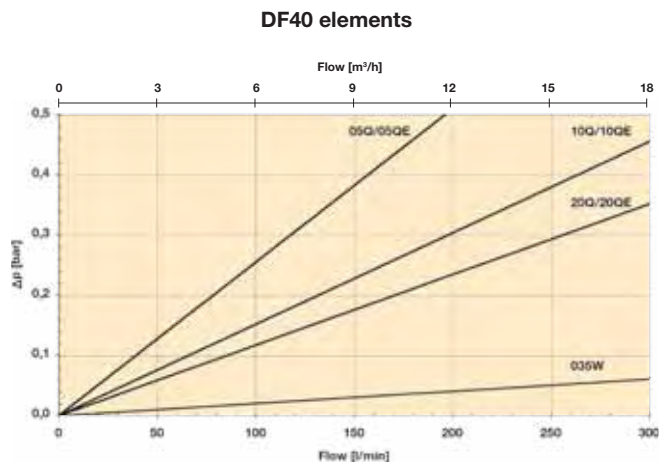
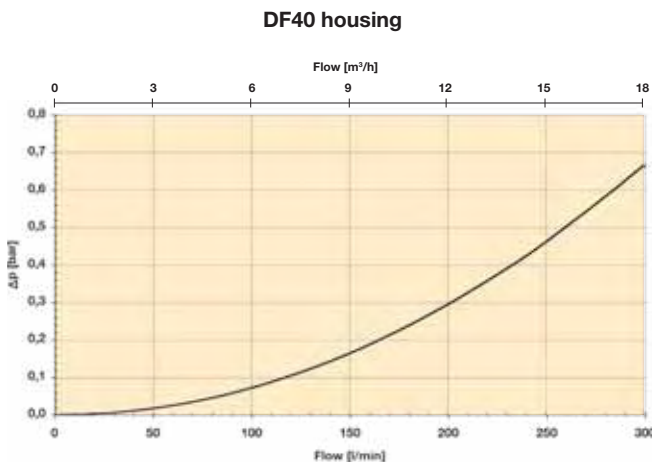
$$\Delta p_{\text{total}} = \Delta p_{\text{housing}} + \Delta p_{\text{element}}$$

The recommended level of the initial pressure drop for this filter is maximum 0.5 bar.

$\Delta p$ -curves are measured at 30 cSt.

If the medium used has a viscosity different from 30 cSt, pressure drop over the element can be estimated as follows:

$$\Delta p_{\text{total}} = \Delta p_{\text{housing}} + \Delta p_{\text{element}} \times \frac{\text{working viscosity}}{30 \text{ cSt}}$$



### REPLACEMENT ELEMENTS WITH FLUOROELASTOMER SEALS

Media code	Order code	
<b>Glassfibre</b>	<b>Microglass III</b>	<b>Ecoglass III</b>
02Q/02QE	939200Q	939204Q
05Q/05QE	939201Q	939205Q
10Q/10QE	939202Q	<b>939206Q</b>
20Q/20QE	939203Q	<b>939207Q</b>
<b>Cleanable metal mesh</b>		
035W	939208	
060W	939209	

### SPARE PARTS

Seal kit (fluoroelastomer)	CODE
For spool valve	939215

Seals needed in element service are included in Parker original replacement element package.

## Product Description for DF40

### Complete Filter:

Table 1

--

Table 2

--

Table 3

--

Table 4

--

Table 5

--

Table 6

--

Table 7

--

Table 8

--

Table 1

FILTER TYPE	
Model	CODE
Duplex filter	<b>DF40</b>

Table 2

FILTER SIZE	
Element length	CODE
Length 1	<b>1</b>

Table 3

DEGREE OF FILTRATION	
Element type	CODE
<b>Microglass III</b>	
Glassfibre 2 µm	02Q
Glassfibre 5 µm	05Q
Glassfibre 10 µm	10Q
Glassfibre 20 µm	20Q
<b>Ecoglass III</b>	
Glassfibre 2 µm	02QE
Glassfibre 5 µm	05QE
Glassfibre 10 µm	<b>10QE</b>
Glassfibre 20 µm	<b>20QE</b>
<b>Other medias</b>	
Cleanable metal mesh 35 µm	035W
Cleanable metal mesh 60 µm	060W

Table 4

SEAL TYPE	
Seal material	CODE
Fluoroelastomer	<b>V</b>

Table 5

INDICATORS	
Options	CODE
Indicator port plugged	<b>P</b>
Visual indicator	<b>M3</b>
Electrical indicator	<b>T1</b>
Electronic indicator (PNP/N.O.)	F1
Electronic indicator (NPN/N.O.)	F2

Table 6

BYPASS VALVE	
Bypass/indicator setting	CODE
3.5 bar/2.5 bar	<b>K</b>
No/No	X

Table 7

FILTER CONNECTIONS	
Port size	CODE
SAE flange 1½" 3000-M	<b>R24</b>
G 1¼ with adaptor	G20
G 1½ with adaptor	G24

Table 8

OPTIONS	
Options	CODE
With bypass	<b>1</b>
No bypass	<b>2</b>
No safety covers, with bypass	N1
No safety covers, no bypass	N2
HFO use, no bypass, max. pressure 30 bar	H2

Please note the bolded options reflect standard options with reduced lead-time.

# DF2089

Duplex Filters

Max. 350 l/min. 40 bar



## Heavy duty duplex operation

Cast iron housing with pressure rating up to 40 bar features in-to out flow to keep the particles away even during the filter change. Differential pressure switch mounted on the filter for easy access. Several media options allow lube, fuel and hydraulic use – pre-filtration with magnets as option.



## Contact Information: Applications:

Parker Hannifin  
**Hydraulic Filter Division Europe**

**European Product  
Information Centre**  
Freephone: 00800 27 27 5374  
(from AT, BE, CH, CZ, DE, EE, ES,  
FI, FR, IE, IT, PT, SE, SK, UK)  
filtrationinfo@parker.com

www.parkerhfde.com

- Propulsion system lube oil filter
- Heavy fuel oil safety filter
- Medium pressure hydraulic systems

## Specification

### Duplex filter:

One reservoir can be closed for service, vertical installation.

### Connections:

Square flanges with port size 60 mm. Standard delivery includes blind counter flanges. Optionally available with SAE 2" -3000M flange adapters.

### Maximum operating pressure:

40 bar

### Seal material:

Fluoroelastomer

### Operating temperature:

-20°C...+120°C with Fluoroelastomer seals,  
-20°C...+160°C with metal mesh elements and Fluoroelastomer seals.

### Housing material:

Cast iron (GJS)

### Weight:

65 kg

### Nominal flow rate (30 cSt):

350 l/min (21 m<sup>3</sup>/h)

### Bypass valve:

Standard bypass opening pressure 2.0 bar, optional opening pressure 1.6 bar or blocked bypass

### Indicator options:

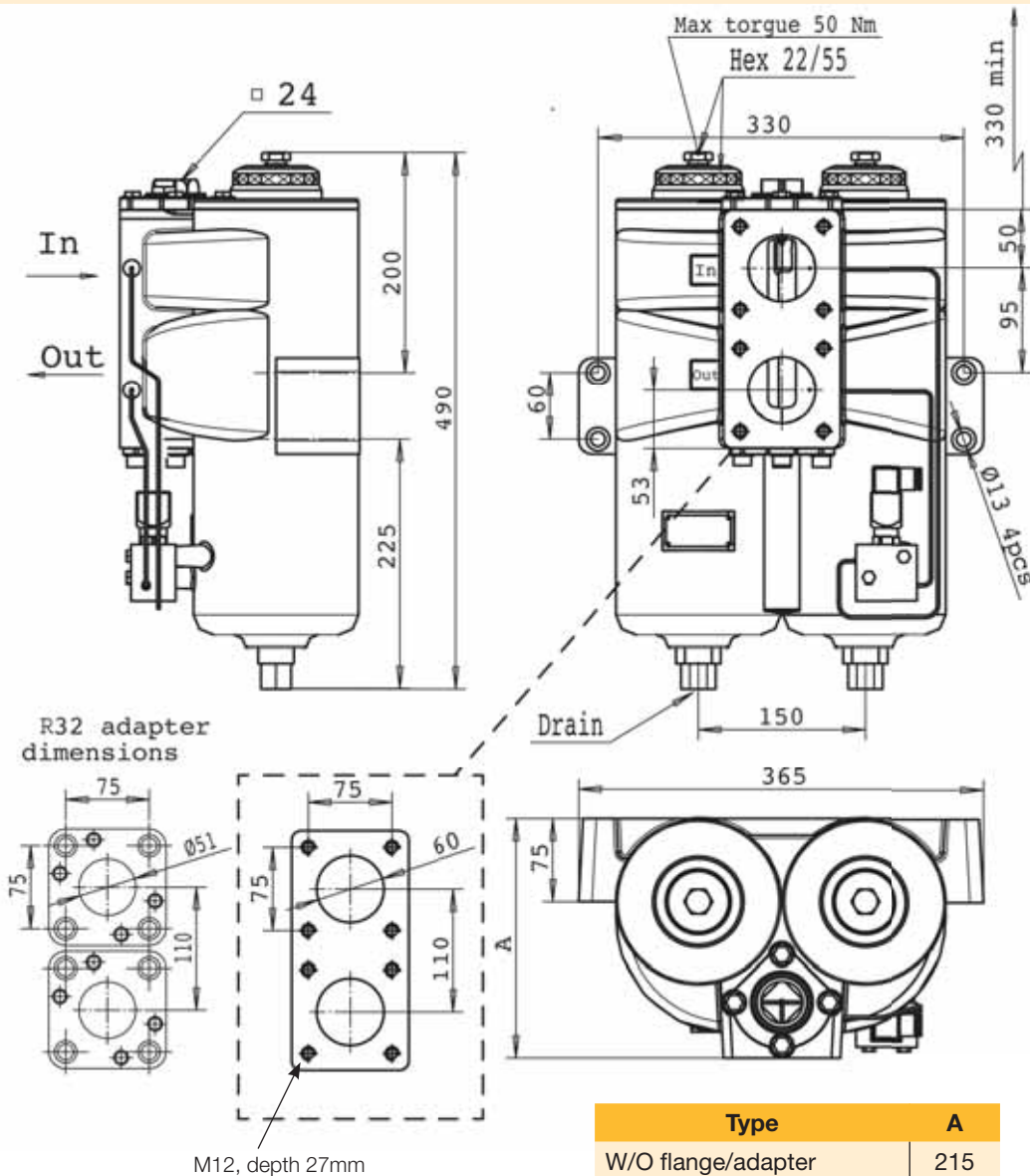
Visual, electrical or electronic indicator requires an indicator block. For details see indicator options table in product description page and catalogue section 4.

### Filtration materials:

- Glassfibre Microglass III
- Cleanable metal mesh

### Fluid compatibility:

Suitable for use with regular hydraulic and lubrication oils and fuel oils. Filters are delivered with documentation according PED 97/23/EC category II (required for heavy fuel oils). For other fluids consult Parker Filtration.



Type	A
W/O flange/adapter	215
With X60 flange	232
With R32 adapter	245

# DF2089

## Pressure Drop Curves

$$\Delta p_{\text{total}} = \Delta p_{\text{housing}} + \Delta p_{\text{element}}$$

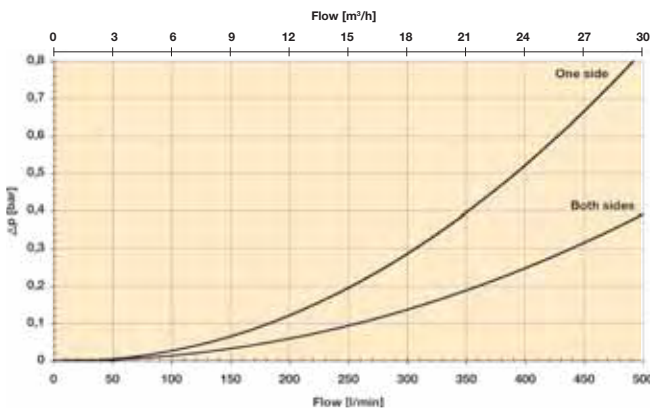
The recommended level of the initial pressure drop for this filter is maximum 0.5 bar.

$\Delta p$ -curves are measured at 30 cSt.

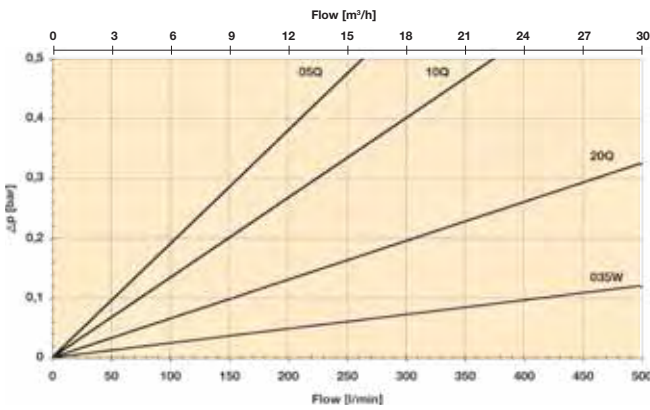
If the medium used has a viscosity different from 30 cSt, pressure drop over the element can be estimated as follows:

$$\Delta p_{\text{total}} = \Delta p_{\text{housing}} + \Delta p_{\text{element}} \times \frac{\text{working viscosity}}{30 \text{ cSt}}$$

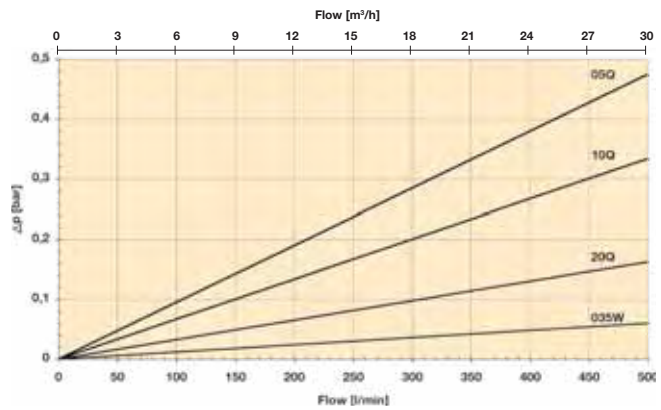
DF2089 housing



DF2089 elements/one side



DF2089 elements/both sides





## Product Description for DF2089

### Complete Filter:

Table 1

--

Table 2

--

Table 3

--

Table 4

--

Table 5

--

Table 6

--

Table 7

--

Table 8

--

Table 1

FILTER TYPE	
Model	CODE
Duplex filter	<b>DF2089</b>

Table 2

FILTER SIZE	
Element length	CODE
Length 1	<b>1</b>

Table 3

DEGREE OF FILTRATION	
Element type	CODE
<b>Microglass III</b>	
Glassfibre 5 µm	05Q
Glassfibre 10 µm	<b>10Q</b>
Glassfibre 20 µm	<b>20Q</b>
<b>Other medias</b>	
Cleanable metal mesh 35 µm	035W
Cleanable metal mesh 60 µm	060W

Table 4

SEAL TYPE	
Seal material	CODE
Fluoroelastomer	<b>V</b>

Table 5

INDICATORS	
Options	CODE
No indicator block	<b>N</b>
Indicator port plugged	<b>P</b>
Visual indicator	<b>M3</b>
Electrical indicator	<b>T1</b>
Electronic indicator (PNP/N.O.)	F1
Electronic indicator (NPN/N.O.)	F2

Table 6

BYPASS VALVE	
Bypass/indicator setting	CODE
1.6 bar/1.0 bar	F
2.0 bar/1.5 bar	<b>H</b>
No/No	X

Table 7

FILTER CONNECTIONS	
Port size	CODE
Square flange 60 mm	<b>X60</b>
Flange adapter SAE 2"-3000M	R32

Table 8

OPTIONS	
Options	CODE
With bypass, no magnets	<b>1</b>
No bypass, no magnets	2
With bypass and magnets	3
No bypass, with magnets	4

REPLACEMENT ELEMENTS WITH FLUOROELASTOMER SEALS	
Media code	Order code
<b>Glassfibre</b>	<b>Microglass III</b>
05Q	938364Q
<b>10Q</b>	<b>938075Q</b>
<b>20Q</b>	<b>938005Q</b>
<b>Cleanable metal mesh</b>	
035W	939184
060W	939185

SPARE PARTS	
Seal kit	CODE
<b>Seal material</b>	
Fluoroelastomer	916045077

Please note the bolded options reflect standard options with reduced lead-time.

# DF2110 Series

Duplex Filters

Max. 1200 l/min. 20 bar



## Heavy duty performance

High dirt holding capacity yet low pressure drop. Heavy duty cast iron housing and several media options means a multitude of suitable applications. Maximum flow rate up to 1200 l/min and extended housing available for high viscosity oils and longer service intervals. DN80 PN 25 connection.



## Contact Information: Applications:

Parker Hannifin  
**Hydraulic Filter Division Europe**

**European Product  
Information Centre**  
**Freephone: 00800 27 27 5374**  
**(from AT, BE, CH, CZ, DE, EE, ES,  
FI, FR, IE, IT, PT, SE, SK, UK)**  
**filtrationinfo@parker.com**

[www.parkerhfde.com](http://www.parkerhfde.com)

- Marine gear lubricating systems
- Propulsion systems
- Diesel engine lubricating systems
- Heavy fuel oil safety filter

## Specification

### Duplex filter:

One reservoir can be closed for service, vertical installation.

### Connections:

Standard flange size DN80/PN25. Delivered without counter flanges.

### Maximum operating pressure:

20 bar

### Seal material:

Fluoroelastomer

### Operating temperature:

-20°C...+120°C with Fluoroelastomer seals,

-20°C...+160°C with metal mesh elements and Fluoroelastomer seals.

### Housing material:

Cast iron (GJS)

### Weight:

Length 1: 200 kg

Length 2: 240 kg

### Nominal flow rate (30 cSt):

Length 1: 1000 l/min (60 m<sup>3</sup>/h)

Length 2: 1200 l/min (72 m<sup>3</sup>/h)

### Bypass valve:

Standard bypass opening pressure 2.0 bar, optional opening pressure 3.0 bar or blocked bypass

### Indicator options:

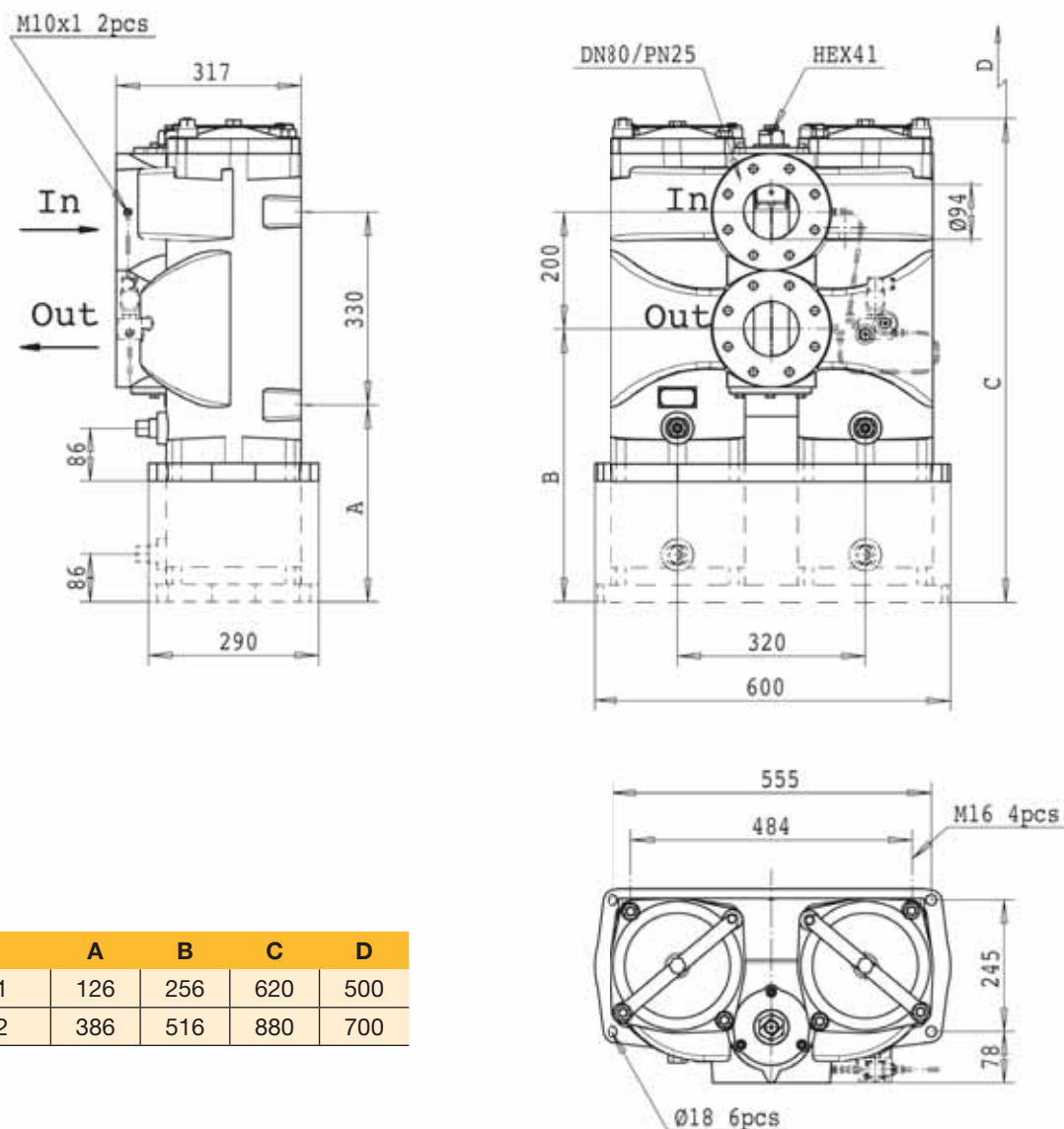
Visual, electrical or electronic indicator requires an indicator block. For details see indicator options table in product description page and catalogue section 4.

### Filtration materials:

- Glassfibre Microglass III
- Cleanable metal mesh

### Fluid compatibility:

Suitable for use with regular hydraulic and lubrication oils and fuel oils. For heavy fuel oil applications, please specify option P2 (see table 8 in product description) which ensures that filters are delivered with documentation according PED 97/23/EC category II. For other fluids consult Parker Filtration.



Type	A	B	C	D
Length 1	126	256	620	500
Length 2	386	516	880	700

# DF2110 Series

## Pressure Drop Curves

$$\Delta p_{\text{total}} = \Delta p_{\text{housing}} + \Delta p_{\text{element}}$$

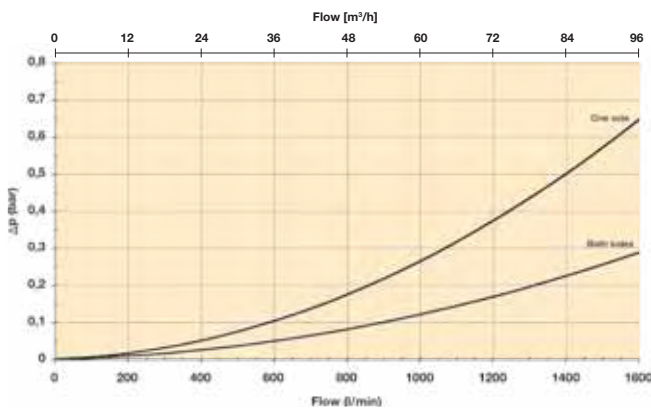
The recommended level of the initial pressure drop for this filter is maximum 0.5 bar.

$\Delta p$ -curves are measured at 30 cSt.

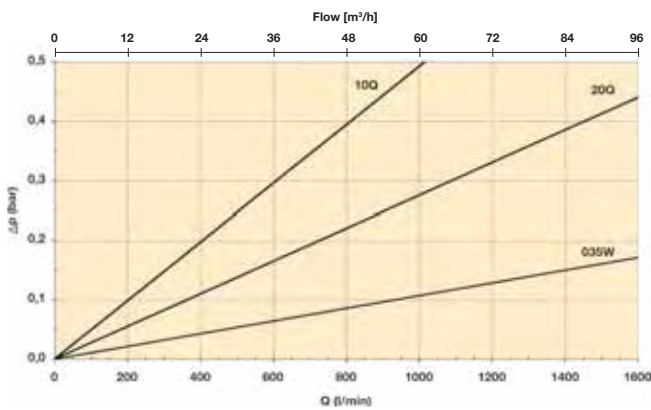
If the medium used has a viscosity different from 30 cSt, pressure drop over the element can be estimated as follows:

$$\Delta p_{\text{total}} = \Delta p_{\text{housing}} + \Delta p_{\text{element}} \times \frac{\text{working viscosity}}{30 \text{ cSt}}$$

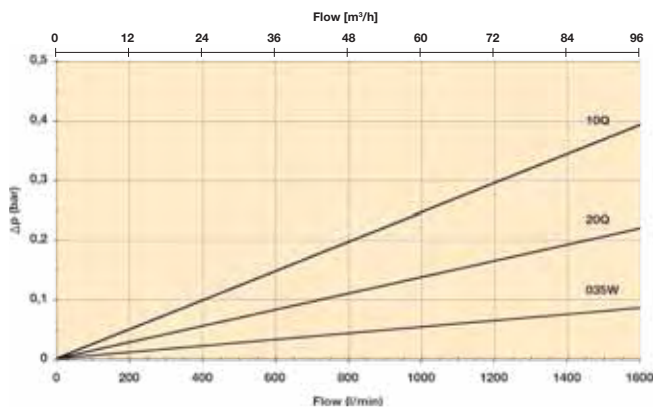
**DF2110 housing**



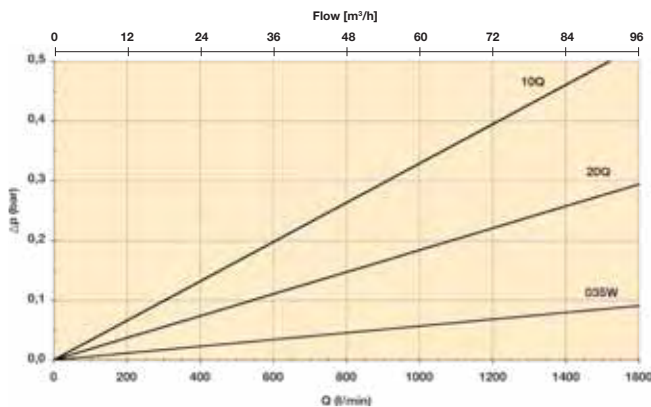
**Length 1 elements/one side**



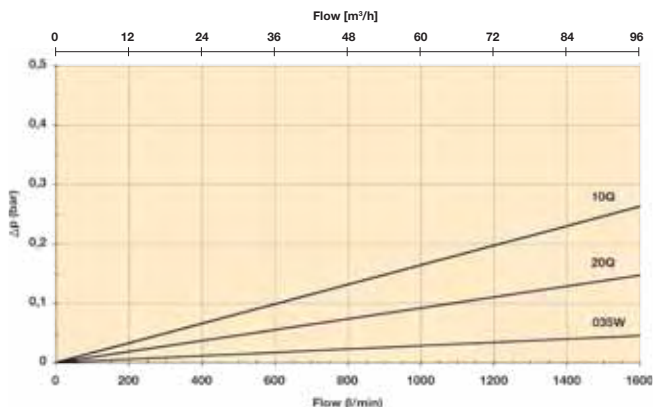
**Length 1 elements/both sides**



**Length 2 elements/one side**



**Length 2 elements/both sides**



## Product Description for DF2110

### Complete Filter:

Table 1

--

Table 2

--

Table 3

--

Table 4

--

Table 5

--

Table 6

--

Table 7

--

Table 8

--

Table 1

FILTER TYPE	
Model	CODE
Duplex filter	<b>DF2110</b>

Table 2

FILTER SIZE	
Element length	CODE
Length 1	<b>1</b>
Length 2	<b>2</b>

Table 3

DEGREE OF FILTRATION	
Element type	CODE
<b>Microglass III</b>	
Glassfibre 5 µm	05Q
Glassfibre 10 µm	<b>10Q</b>
Glassfibre 20 µm	<b>20Q</b>
<b>Other medias</b>	
Cleanable metal mesh 35 µm	035W
Cleanable metal mesh 60 µm	060W

Table 4

SEAL TYPE	
Seal material	CODE
Fluoroelastomer	<b>V</b>

Table 5

INDICATORS	
Options	CODE
No indicator block	<b>N</b>
Indicator port plugged	<b>P</b>
Visual indicator	<b>M3</b>
Electrical indicator	<b>T1</b>
Electronic indicator (PNP/N.O.)	F1
Electronic indicator (NPN/N.O.)	F2

Table 6

BYPASS VALVE	
Bypass/indicator setting	CODE
2.0 bar/1.5 bar	<b>H</b>
3.0 bar/2.5 bar	<b>J</b>
No/No	<b>X</b>

Table 7

FILTER CONNECTIONS	
Port size	CODE
Flange DN80	<b>D80</b>

Table 8

OPTIONS	
Options	CODE
With bypass	<b>1</b>
No bypass	<b>2</b>
PED category 2	P2

If several options are selected, please add the codes in order listed above.

REPLACEMENT ELEMENTS WITH FLUOROELASTOMER SEALS		
Media code	Order code for Length1	Order code for Length2
<b>Glassfibre</b>	<b>Microglass III</b>	<b>Microglass III</b>
05Q	938365Q	938367Q
<b>10Q</b>	<b>938373Q</b>	938093Q
<b>20Q</b>	<b>938366Q</b>	938368Q
<b>Cleanable metal mesh</b>		
035W	939186	939188
060W	939187	939189

SPARE PARTS	
Seal kit	CODE
Seal material	
Fluoroelastomer	916045078

Please note the bolded options reflect standard options with reduced lead-time.

# DF2050 Series

Duplex Filters

Max. 1000 l/min. 20 bar



## Heavy duty performance

High dirt holding capacity yet low pressure drop. Heavy duty cast iron housing and same elements as in DF2035 means safety and continuity in your applications. Maximum flow rate up to 1000 l/min. DN80 PN 25 connection.



## Contact Information: Applications:

Parker Hannifin  
**Hydraulic Filter Division Europe**

**European Product  
Information Centre**  
**Freephone: 00800 27 27 5374**  
**(from AT, BE, CH, CZ, DE, EE, ES,  
FI, FR, IE, IT, PT, SE, SK, UK)**  
**filtrationinfo@parker.com**

[www.parkerhfde.com](http://www.parkerhfde.com)

- Marine gear lubricating systems
- Propulsion systems
- Diesel engine lubricating systems
- Heavy fuel oil safety filter

## Specification

### Duplex filter:

One reservoir can be closed for service, vertical installation. Length 2 includes 2 elements/side and length 3 includes 3 elements/side.

### Connections:

Standard flange size DN80/PN25. Delivered without counter flanges.

### Maximum operating pressure:

20 bar

### Seal material:

Fluoroelastomer

### Operating temperature:

-20°C...+120°C with Fluoroelastomer seals,  
-20°C...+160°C with metal mesh elements and Fluoroelastomer seals.

### Housing material:

Cast iron (GJS)

### Weight:

Length 2: 200 kg

Length 3: 240 kg

### Nominal flow rate (30 cSt):

Length 2: 900 l/min (54 m<sup>3</sup>/h)

Length 3: 1000 l/min (60 m<sup>3</sup>/h)

### Bypass valve:

Standard with blocked bypass. Optional opening pressure 2.0 bar

### Indicator options:

Visual, electrical or electronic indicator requires an indicator block. For details see indicator options table in product description page and catalogue section 4.

### Filtration materials:

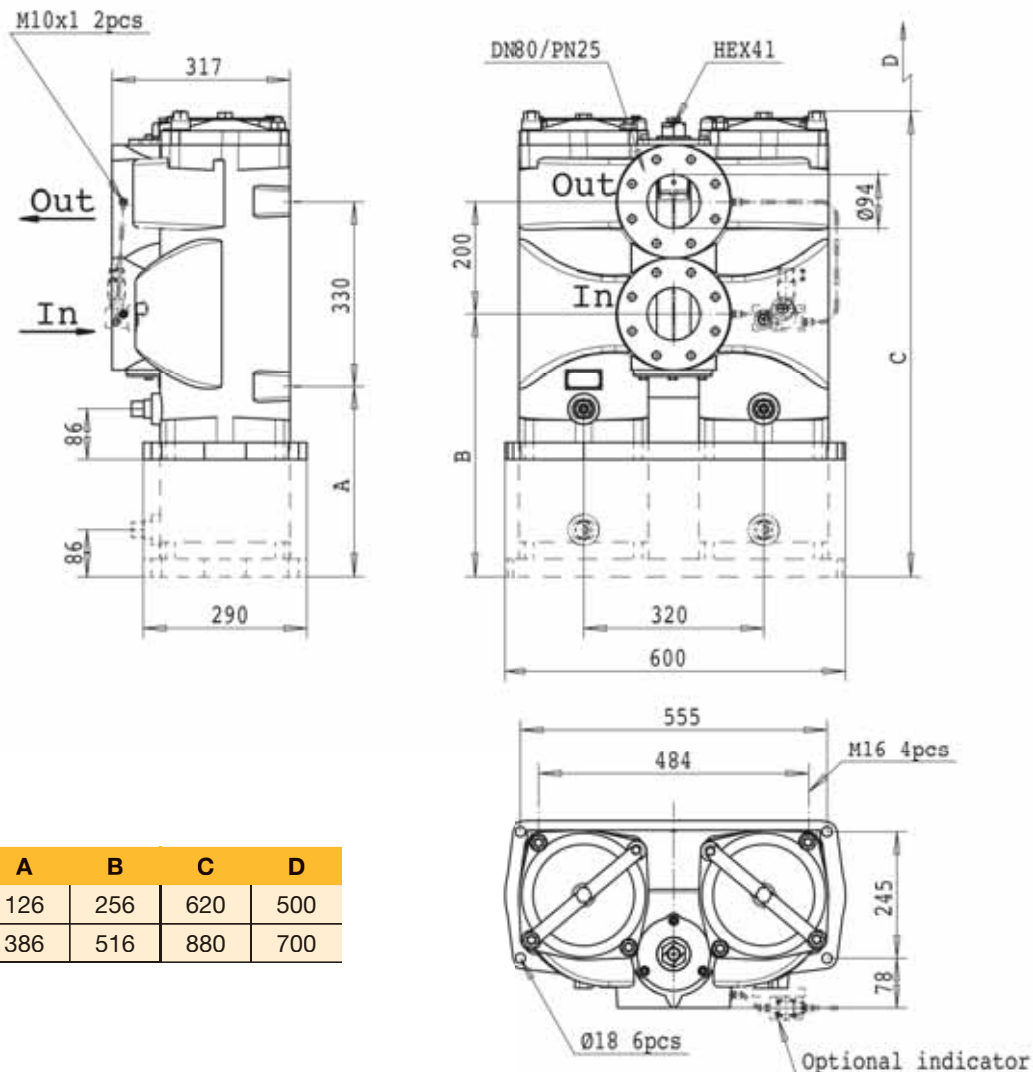
- Resin impregnated heavy duty cellulose paper 15 µm nominal
- Glassfibre Microglass III
- Cleanable metal mesh

### Secondary filter:

- Filtration material cleanable wire mesh
- Filtration degree 60 µm

### Fluid compatibility:

Suitable for use with regular hydraulic and lubrication oils and fuel oils. For heavy fuel oil applications, please specify option P2 (see table 8 in product description) which ensures that filters are delivered with documentation according PED 97/23/EC category II. For other fluids consult Parker Filtration.



Type	A	B	C	D
Length 2	126	256	620	500
Length 3	386	516	880	700

# DF2050 Series

## Pressure Drop Curves

$$\Delta p_{\text{total}} = \Delta p_{\text{housing}} + \Delta p_{\text{element}}$$

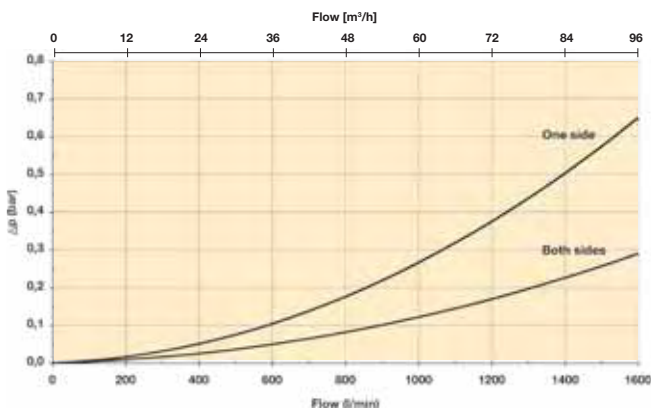
The recommended level of the initial pressure drop for this filter is maximum 0.5 bar.

$\Delta p$ -curves are measured at 30 cSt.

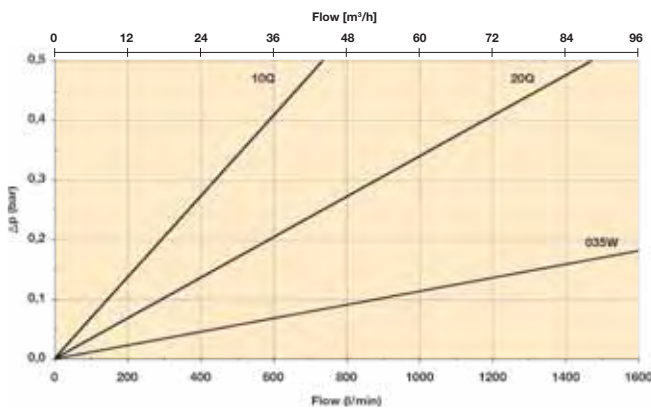
If the medium used has a viscosity different from 30 cSt, pressure drop over the element can be estimated as follows:

$$\Delta p_{\text{total}} = \Delta p_{\text{housing}} + \Delta p_{\text{element}} \times \frac{\text{working viscosity}}{30 \text{ cSt}}$$

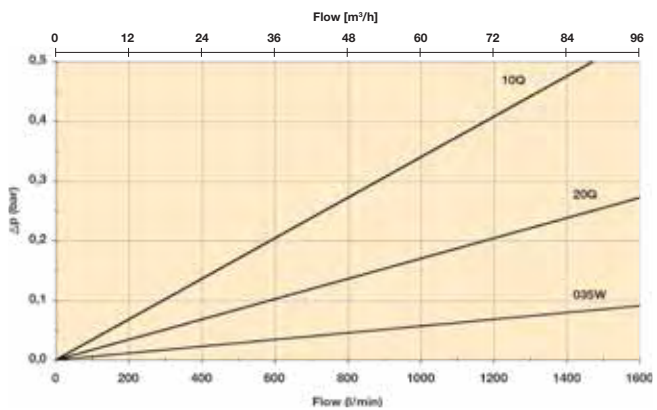
DF2050 housing



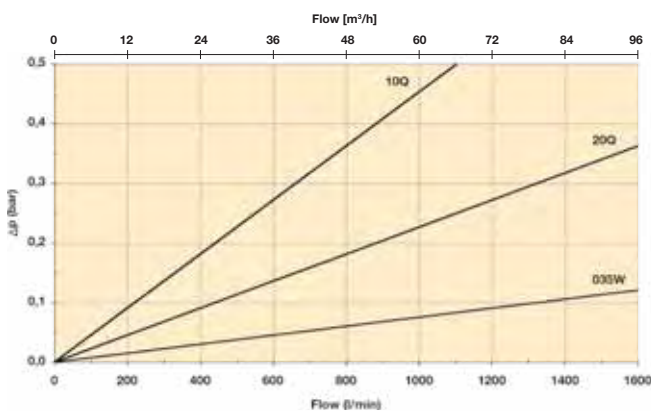
Length 2 element pack/one side



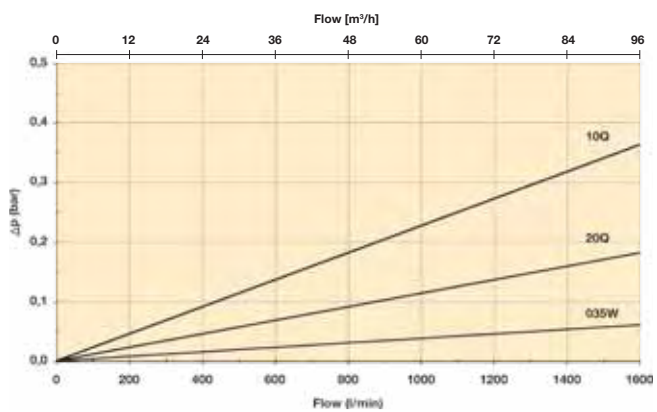
Length 2 element pack/both sides



Length 3 element pack/one side



Length 3 element pack/both sides





## Product Description for DF2050

### Complete Filter:

Table 1	Table 2	Table 3	Table 4	Table 5	Table 6	Table 7	Table 8
---------	---------	---------	---------	---------	---------	---------	---------

Table 1

FILTER TYPE	
Model	CODE
Duplex filter	<b>DF2050</b>

Table 2

FILTER SIZE	
Length/elements	CODE
2 elements/side	<b>2</b>
3 elements/side	<b>3</b>

Table 3

DEGREE OF FILTRATION	
Element type	CODE
<b>Microglass III</b>	
Glassfibre 5 µm	05Q
Glassfibre 10 µm	<b>10Q</b>
Glassfibre 20 µm	<b>20Q</b>
<b>Other medias</b>	
Cellulose 15 µm (nom)	015N
Cleanable metal mesh 35 µm	035W
Cleanable metal mesh 60 µm	060W

Table 4

SEAL TYPE	
Seal material	CODE
Fluoroelastomer	<b>V</b>

Table 5

INDICATORS	
Options	CODE
No indicator block	<b>N</b>
Indicator port plugged	P
Visual indicator	<b>M3</b>
Electrical indicator	<b>T1</b>
Electronic indicator (PNP/N.O.)	F1
Electronic indicator (NPN/N.O.)	F2

Table 6

BYPASS VALVE	
Bypass/indicator setting	CODE
2.0 bar/1.5 bar	<b>H</b>
No/No	<b>X</b>

Table 7

FILTER CONNECTIONS	
Port size	CODE
Flange DN80	<b>D80</b>

Table 8

OPTIONS	
Options	CODE
With bypass	<b>1</b>
No bypass	<b>2</b>
PED category 2	P2

If several options are selected, please add the codes in order listed above.

REPLACEMENT ELEMENTS WITH FLUOROELASTOMER SEALS	
Media code	Order code
<b>Glassfibre</b>	<b>Microglass III</b>
05Q	939401Q
<b>10Q</b>	<b>939402Q</b>
<b>20Q</b>	<b>939403Q</b>
<b>Cellulose 15 µm (nom)</b>	
015N	939404
<b>Cleanable metal mesh</b>	
035W	939405
060W	939406

SPARE PARTS	
Secondary filter element (60 µm)	CODE
Length 2	939416
Length 3	939417
<b>Seal kit</b>	<b>CODE</b>
<b>Seal material</b>	
Fluoroelastomer	916045076

Please note the bolded options reflect standard options with reduced lead-time.

# DF2035 Series

Duplex Filters

Max. 600 l/min. 8 bar



## Light weight, high capacity

Several media options and high dirt holding capacity – up to three filter elements per reservoir. Aluminium housing offers light weight combined to considerably high capacity. Two different housing options.



## Contact Information: Applications:

Parker Hannifin  
**Hydraulic Filter Division Europe**

**European Product  
Information Centre**  
Freephone: 00800 27 27 5374  
(from AT, BE, CH, CZ, DE, EE, ES,  
FI, FR, IE, IT, PT, SE, SK, UK)  
filtrationinfo@parker.com

www.parkerhfde.com

- Industrial gear systems
- Diesel engine lubricating systems

## Specification

### Duplex filter:

One reservoir can be closed for service, vertical installation. Length 2 includes 2 elements/side and length 3 includes 3 elements/side.

### Connections:

Square flanges with DN65/PN16 dimensioning. Standard delivery includes blind counter flanges according to DIN 2527.

### Maximum operating pressure:

8 bar

### Seal material:

Fluoroelastomer

### Operating temperature:

-20°C...+120°C with Fluoroelastomer seals. For other temperatures consult Parker Filtratio.

### Housing material:

Aluminium

### Weight:

Length 2: 49.0 kg

Length 3: 62.5 kg

### Maximum flow rate:

600 l/min (36 m<sup>3</sup>/h)

### Indicator options:

Visual, electrical or electronic indicator requires an indicator block. For details see indicator options table in product description page and catalogue section 4.

### Primary filter:

- Length 2: two filter elements per reservoir
- Length 3: three filter elements per reservoir
- Filtration materials
  - Resin impregnated heavy duty cellulose paper 15µm nominal
  - Glassfibre Microglass III
  - Cleanable metal mesh

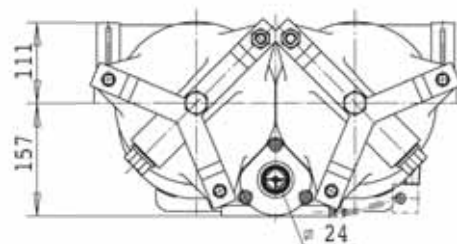
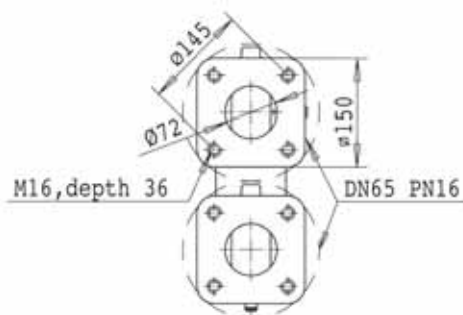
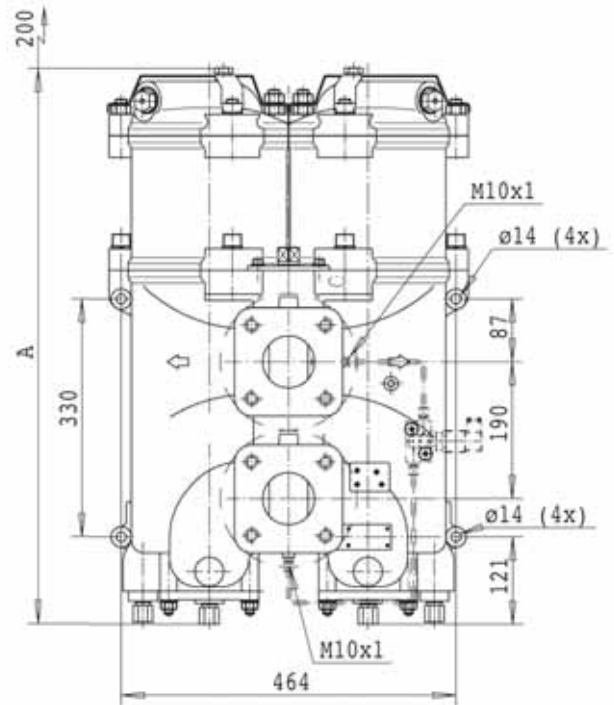
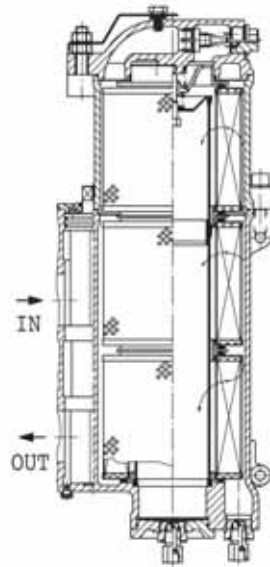
### Secondary filter:

- Filtration material cleanable metal mesh
- Filtration degree 60µm

### Fluid compatibility:

Suitable for use with regular hydraulic and lubrication oils. For other fluids consult Parker Filtration.

Type	A
Length 2	590
Length 3	775



# DF2035 Series

## Pressure Drop Curves

$$\Delta p_{\text{total}} = \Delta p_{\text{housing}} + \Delta p_{\text{element}}$$

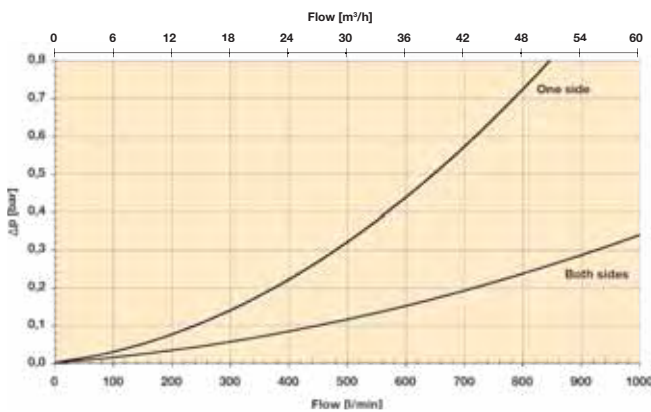
The recommended level of the initial pressure drop for this filter is maximum 0.5 bar.

$\Delta p$ -curves are measured at 30 cSt.

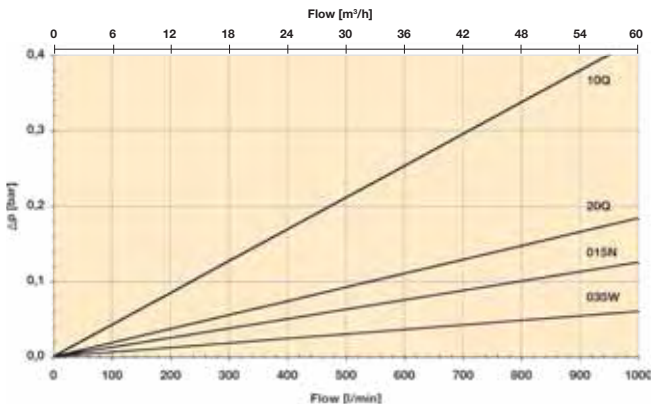
If the medium used has a viscosity different from 30 cSt, pressure drop over the element can be estimated as follows:

$$\Delta p_{\text{total}} = \Delta p_{\text{housing}} + \Delta p_{\text{element}} \times \frac{\text{working viscosity}}{30 \text{ cSt}}$$

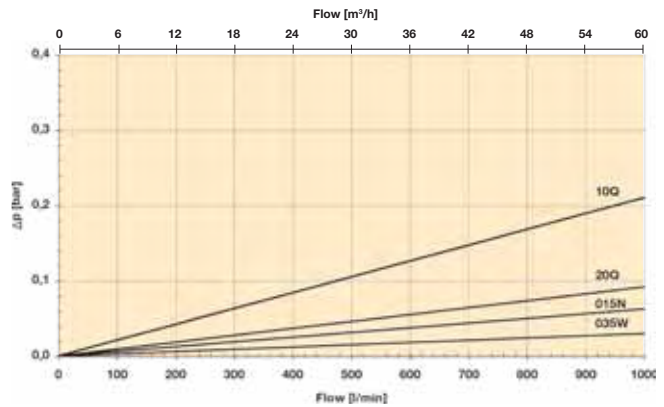
DF2035 housing



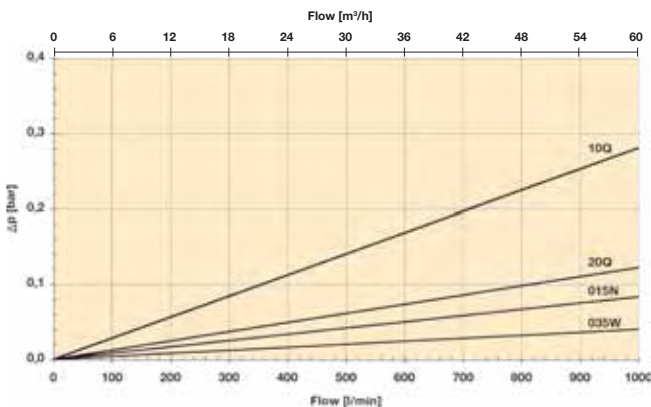
Length 2 element pack (2 pcs)/one side in use



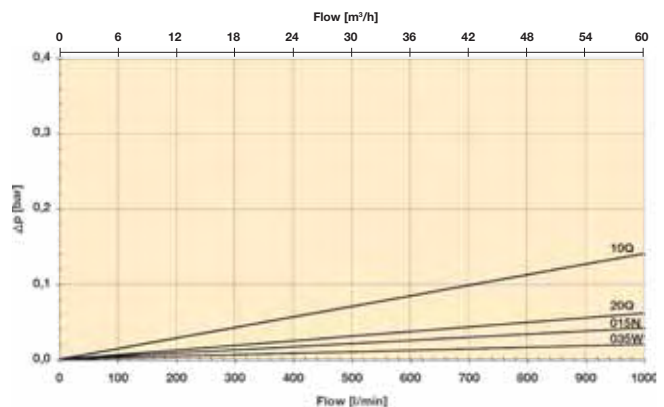
Length 2 element pack (2 + 2 pcs)/both sides in use



Length 3 element pack (3 pcs)/one side in use



Length 3 element pack (3 + 3 pcs)/both sides in use



## Product Description for DF2035

### Complete Filter:

Table 1

--

Table 2

--

Table 3

--

Table 4

--

Table 5

--

Table 6

--

Table 7

--

Table 8

--

Table 1

FILTER TYPE	
Model	CODE
Duplex filter	<b>DF2035</b>

Table 2

FILTER SIZE	
Length/elements	CODE
2 elements/side	<b>2</b>
3 elements/side	<b>3</b>

Table 3

DEGREE OF FILTRATION	
Element type	CODE
<b>Microglass III</b>	
Glassfibre 5 µm	05Q
Glassfibre 10 µm	<b>10Q</b>
Glassfibre 20 µm	<b>20Q</b>
<b>Other medias</b>	
Cellulose 15 µm (nom)	<b>015N</b>
Cleanable metal mesh 35 µm	035W
Cleanable metal mesh 60 µm	060W

Table 4

SEAL TYPE	
Seal material	CODE
Fluoroelastomer	<b>V</b>

Table 5

INDICATORS	
Options	CODE
No indicator block	<b>N</b>
Indicator port plugged	P
Visual indicator	<b>M3</b>
Electrical indicator	<b>T1</b>
Electronic indicator (PNP/N.O.)	F1
Electronic indicator (NPN/N.O.)	F2

Table 6

BYPASS VALVE	
Bypass/indicator setting	CODE
2.0 bar/1.5 bar	<b>H</b>

Table 7

FILTER CONNECTIONS	
Port size	CODE
Square flange ref. DN65	<b>D65</b>

Table 8

OPTIONS	
Options	CODE
With bypass	<b>1</b>

REPLACEMENT ELEMENTS WITH FLUOROELASTOMER SEALS	
Media code	Order code
<b>Glassfibre</b>	<b>Microglass III</b>
05Q	939401Q
<b>10Q</b>	<b>939402Q</b>
<b>20Q</b>	<b>939403Q</b>
<b>Cellulose 15 µm (nom)</b>	
015N	939404
<b>Cleanable metal mesh</b>	
035W	939405
060W	939406

SPARE PARTS	
Secondary filter element (60 µm)	CODE
Length 2	939414
Length 3 extension element*	939415
<b>Seal kit</b>	<b>CODE</b>
<b>Seal material</b>	
Fluoroelastomer	916045027

\* Fully length 3 requires both 939414 + 939415.

Please note the bolded options reflect standard options with reduced lead-time.

# DFH2060 Series

Duplex Filters

Max. 2200 l/min. 10 bar



## Maximum performance – minimum height

Slim welded housing construction with cast iron change over valve section. Horizontal mounting makes assembly easier in cranked positions. High dirt holding capacity and low pressure drop. Several media options. One reservoir can be closed for service.



## Contact Information: Applications:

Parker Hannifin  
**Hydraulic Filter Division Europe**

**European Product  
Information Centre**  
Freephone: 00800 27 27 5374  
(from AT, BE, CH, CZ, DE, EE, ES,  
FI, FR, IE, IT, PT, SE, SK, UK)  
filtrationinfo@parker.com

[www.parkerhfde.com](http://www.parkerhfde.com)

- Heavy duty diesel engine lubricating systems
- High flow industrial lubricating systems

## Specification

### Duplex filter:

One reservoir can be closed for service, horizontal installation. 1300 mm (1.3 m) free space must be reserved in front of the filter for filter element removal. Filter includes 3 elements/side.

### Connections:

Square flanges with port size  $\text{Ø}160$  mm. Standard delivery includes blind counter flanges.

### Maximum operating pressure:

10 bar

### Seal material:

Fluoroelastomer

### Operating temperature:

-20°C...+120°C with Fluoroelastomer seals,

-20°C...+160°C with metal mesh elements and Fluoroelastomer seals.

### Housing material:

Steel/cast iron (GJS)

### Weight:

390 kg

### Nominal flow rate (30 cSt):

2200 l/min (132 m<sup>3</sup>/h)

### Bypass valve:

For the primary filter only, opening pressure 2.0 bar

### Indicator options:

Visual, electrical or electronic indicator requires an indicator block. For details see indicator options table in product description page and catalogue section 4.

### Primary filter:

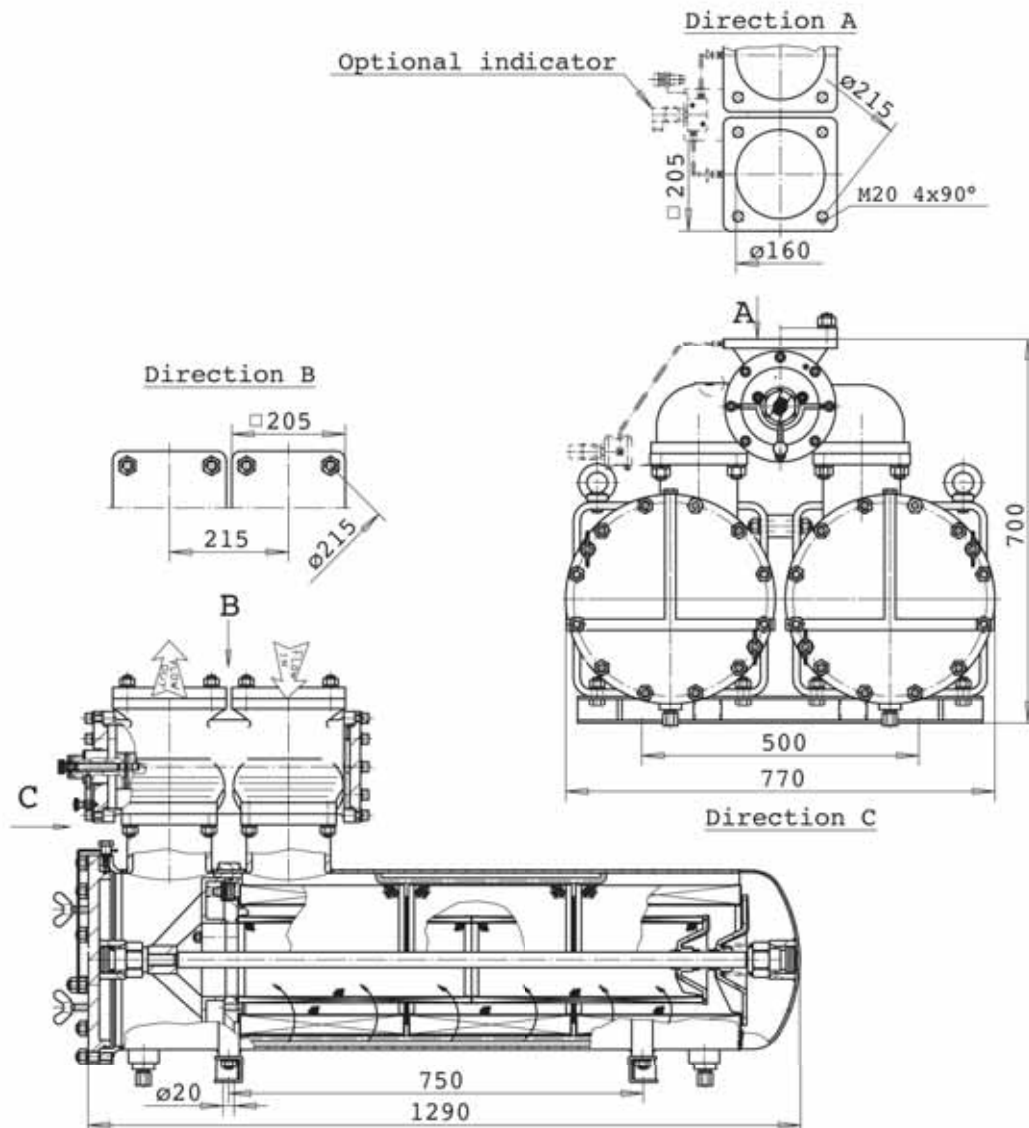
- Three filter elements per reservoir
- Filtration materials
  - Resin impregnated heavy duty cellulose paper 15  $\mu\text{m}$  nominal
  - Glassfibre Microglass III
  - Cleanable metal mesh

### Secondary filter:

- One filter element per reservoir
- Filtration material cleanable wire mesh
- Filtration degree 60  $\mu\text{m}$

### Fluid compatibility:

Suitable for use with regular hydraulic and lubrication oils. For other fluids consult Parker Filtration.



# DFH2060 Series

## Pressure Drop Curves

$$\Delta p_{\text{total}} = \Delta p_{\text{housing}} + \Delta p_{\text{element}}$$

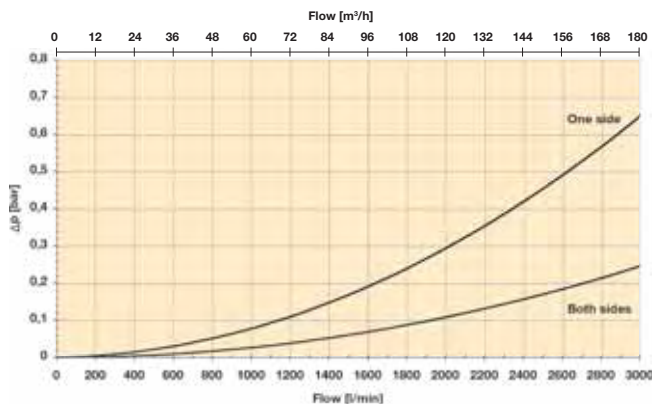
The recommended level of the initial pressure drop for this filter is maximum 0.5 bar.

$\Delta p$ -curves are measured at 30 cSt.

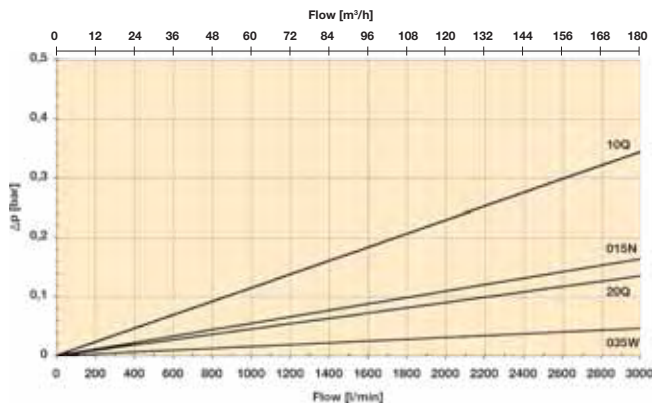
If the medium used has a viscosity different from 30 cSt, pressure drop over the element can be estimated as follows:

$$\Delta p_{\text{total}} = \Delta p_{\text{housing}} + \Delta p_{\text{element}} \times \frac{\text{working viscosity}}{30 \text{ cSt}}$$

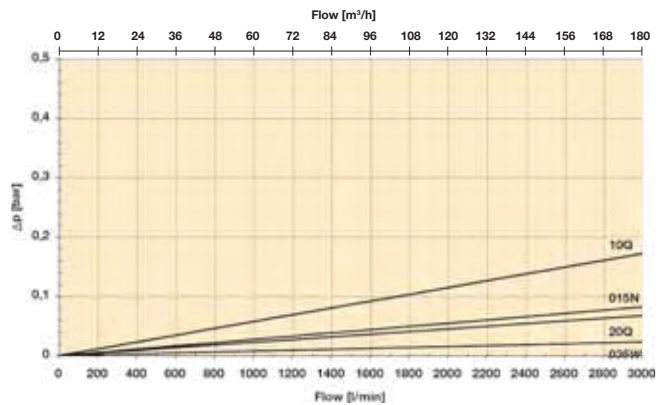
DFH2060 housing



DFH2060 element pack (3 pcs)/one side in use



DFH2060 element pack (3 + 3 pcs)/both sides in use





## Product Description for DFH2060

### Complete Filter:

Table 1

--

Table 2

--

Table 3

--

Table 4

--

Table 5

--

Table 6

--

Table 7

--

Table 8

--

Table 1

FILTER TYPE	
Model	CODE
Duplex filter, horizontal installation	<b>DFH2060</b>

Table 2

FILTER SIZE	
Length/elements	CODE
3 elements/side	<b>3</b>

Table 3

DEGREE OF FILTRATION	
Element type	CODE
<b>Microglass III</b>	
Glassfibre 5 µm	05Q
Glassfibre 10 µm	<b>10Q</b>
Glassfibre 20 µm	<b>20Q</b>
<b>Other medias</b>	
Cellulose 15 µm (nom)	<b>015N</b>
Cleanable metal mesh 35 µm	035W
Cleanable metal mesh 60 µm	060W

Table 4

SEAL TYPE	
Seal material	CODE
Fluoroelastomer	<b>V</b>

Table 5

INDICATORS	
Options	CODE
No indicator block	<b>N</b>
Indicator port plugged	P
Visual indicator	<b>M3</b>
Electrical indicator	<b>T1</b>
Electronic indicator (PNP/N.O.)	F1
Electronic indicator (NPN/N.O.)	F2

Table 6

BYPASS VALVE	
Bypass/indicator setting	CODE
2.0 bar/1.5 bar	<b>H</b>

Table 7

FILTER CONNECTIONS	
Port size	CODE
Square flange 160 mm	<b>X160</b>

Table 8

OPTIONS	
Options	CODE
With bypass	<b>1</b>

REPLACEMENT ELEMENTS WITH FLUOROELASTOMER SEALS	
Media code	Order code
<b>Glassfibre</b>	<b>Microglass III</b>
05Q	939381Q
<b>10Q</b>	<b>939382Q</b>
<b>20Q</b>	<b>939383Q</b>
<b>Cellulose 15 µm (nom)</b>	
015N	939384
<b>Cleanable metal mesh</b>	
035W	939385
060W	939386

SPARE PARTS	
Secondary filter element	CODE
Wire mesh 60 µm	939394
<b>Seal kits</b>	<b>CODE</b>
For valve assembly	916045064
For vessel (two kits required for complete filter)	916045066

Please note the bolded options reflect standard options with reduced lead-time.

# DF2070 Series

Duplex Filters

Max. 1800 l/min. 10 bar



## Big and tall for high flow

Welded housing construction with cast iron change over valve section. Compact, low-depth duplex construction for vertical mounting. High flow and good dirt holding capacity combined to low pressure drop. Several media options for heavy fuel oil and lube systems.



## Contact Information: Applications:

Parker Hannifin  
**Hydraulic Filter Division Europe**

**European Product  
Information Centre**  
**Freephone: 00800 27 27 5374**  
**(from AT, BE, CH, CZ, DE, EE, ES,  
FI, FR, IE, IT, PT, SE, SK, UK)**  
**filtrationinfo@parker.com**

[www.parkerhfde.com](http://www.parkerhfde.com)

- Diesel engine lubricating systems
- High flow industrial lubricating systems
- High flow heavy fuel oil systems as safety filter

## Specification

### Duplex filter:

One reservoir can be closed for service, vertical installation. Length 2 includes 2 elements/side and length 3 includes 3 elements/side.

### Connections:

Square flanges with port size  $\text{Ø}160$  mm. Standard delivery includes blind counter flanges.

### Maximum operating pressure:

10 bar

### Seal material:

Fluoroelastomer

### Operating temperature:

-20°C...+120°C with Fluoroelastomer seals,

-20°C...+160°C with metal mesh elements and

Fluoroelastomer seals.

### Housing material:

Steel/cast iron (GJS)

### Weight:

Length 2: 310 kg

Length 3: 400 kg

### Nominal flow rate (30 cSt):

Length 2: 1500 l/min (90 m<sup>3</sup>/h)

Length 3: 1800 l/min (132 m<sup>3</sup>/h)

### Bypass valve:

For the primary filter only, opening pressure 2.0 bar

### Indicator options:

Visual, electrical or electronic indicator requires an indicator block. For details see indicator options table in product description page and catalogue section 4.

### Primary filter:

- Two filter elements per reservoir

- Filtration materials

- Resin impregnated heavy duty cellulose paper

15  $\mu\text{m}$  nominal

- Glassfibre Microglass III

- Cleanable metal mesh

### Secondary filter:

- One filter element per reservoir

- Filtration material cleanable wire mesh

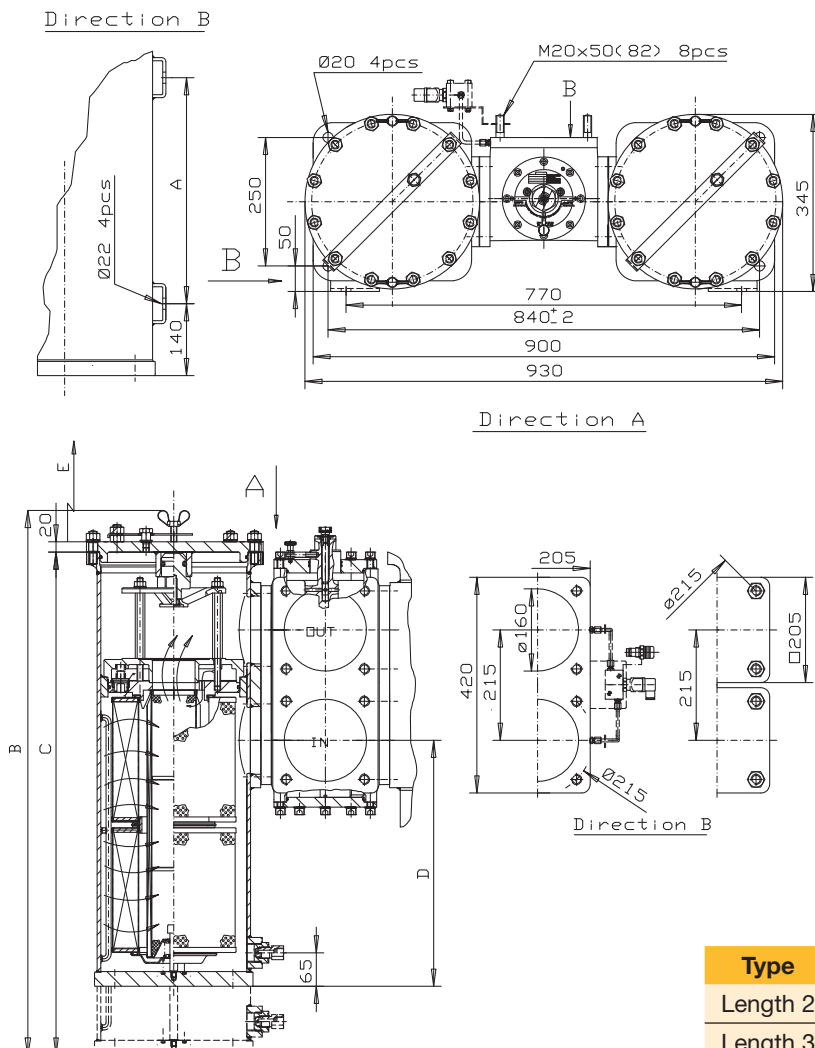
- Filtration degree 60  $\mu\text{m}$

### Fluid compatibility:

Suitable for use with regular hydraulic and lubrication oils and fuel oils. For heavy fuel oil applications, please specify option P2 (see table 8 in product description)

which ensures that filters are delivered with documentation according PED 97/23/EC category II.

For other fluids consult Parker Filtration.



Type	A	B	C	D	E
Length 2	440	960	845	478	500
Length 3	706	1227	1112	745	560

# DF2070 Series

## Pressure Drop Curves

$$\Delta p_{\text{total}} = \Delta p_{\text{housing}} + \Delta p_{\text{element}}$$

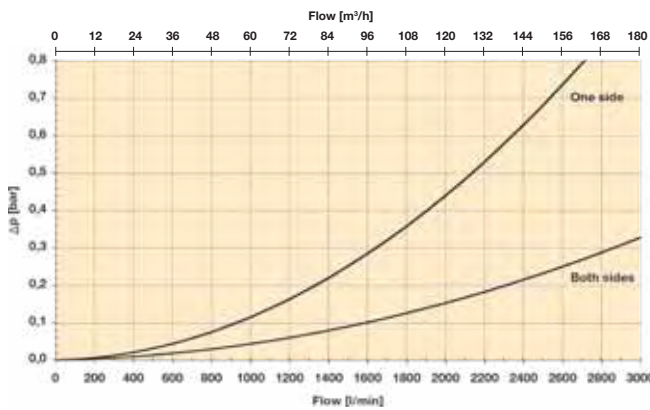
The recommended level of the initial pressure drop for this filter is maximum 0.5 bar.

$\Delta p$ -curves are measured at 30 cSt.

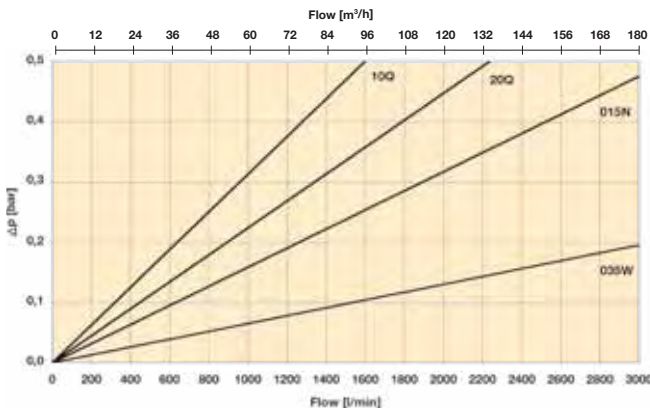
If the medium used has a viscosity different from 30 cSt, pressure drop over the element can be estimated as follows:

$$\Delta p_{\text{total}} = \Delta p_{\text{housing}} + \Delta p_{\text{element}} \times \frac{\text{working viscosity}}{30 \text{ cSt}}$$

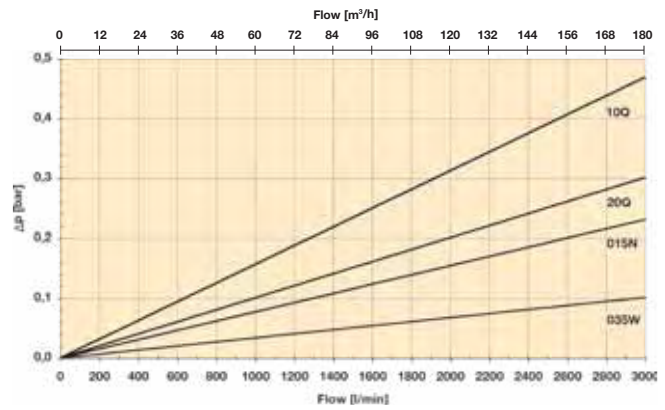
DF2070 housing



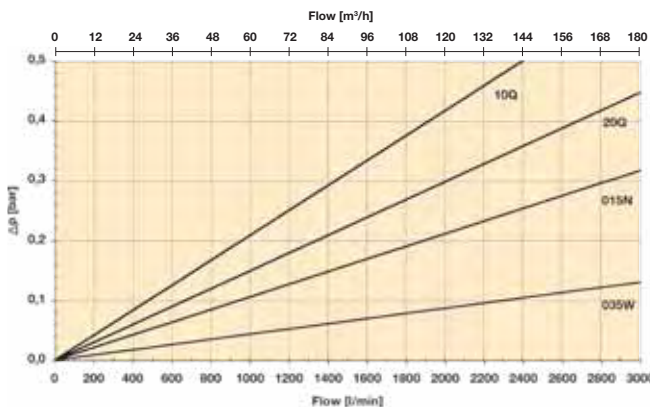
Length 2 element pack (2 pcs)/one side in use



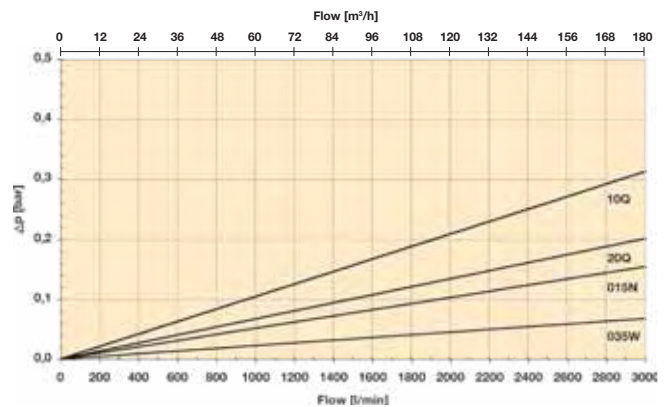
Length 2 element pack (2 + 2 pcs)/both sides in use



Length 3 element pack (3 pcs)/one side in use



Length 3 element pack (3 + 3 pcs)/both sides in use



## Product Description for DF2070

### Complete Filter:

Table 1	Table 2	Table 3	Table 4	Table 5	Table 6	Table 7	Table 8
---------	---------	---------	---------	---------	---------	---------	---------

Table 1

FILTER TYPE	
Model	CODE
Duplex filter	<b>DF2070</b>

Table 2

FILTER SIZE	
Length/elements	CODE
2 elements/side	<b>2</b>
3 elements/side	<b>3</b>

Table 3

DEGREE OF FILTRATION	
Element type	CODE
<b>Microglass III</b>	
Glassfibre 5 µm	05Q
Glassfibre 10 µm	<b>10Q</b>
Glassfibre 20 µm	<b>20Q</b>
<b>Other medias</b>	
Cellulose 15 µm (nom)	<b>015N</b>
Cleanable metal mesh 35 µm	035W
Cleanable metal mesh 60 µm	060W

Table 4

SEAL TYPE	
Seal material	CODE
Fluoroelastomer	<b>V</b>

Table 5

INDICATORS	
Options	CODE
No indicator block	<b>N</b>
Indicator port plugged	P
Visual indicator	<b>M3</b>
Electrical indicator	<b>T1</b>
Electronic indicator (PNP/N.O.)	F1
Electronic indicator (NPN/N.O.)	F2

Table 6

BYPASS VALVE	
Bypass/indicator setting	CODE
2.0 bar/1.5 bar	<b>H</b>

Table 7

FILTER CONNECTIONS	
Port size	CODE
Square flange 160 mm	<b>X160</b>

Table 8

OPTIONS	
Options	CODE
With bypass	<b>1</b>
PED category 2	P2

If several options are selected, please add the codes in order listed above.

REPLACEMENT ELEMENTS WITH FLUOROELASTOMER SEALS	
Media code	Order code
<b>Glassfibre</b>	<b>Microglass III</b>
05Q	939361Q
<b>10Q</b>	<b>939362Q</b>
<b>20Q</b>	<b>939363Q</b>
<b>Cellulose 15 µm (nom)</b>	
015N	939364
<b>Cleanable metal mesh</b>	
035W	939365
060W	939366

SPARE PARTS	
Secondary filter element (60 µm)	CODE
Length 2	939374
Length 3	939375
<b>Seal kits</b>	<b>CODE</b>
For valve assembly	916045064
For vessel (two kits required for complete filter)	916045067

Please note the bolded options reflect standard options with reduced lead-time.



**Together, we can change the course of hydraulic and lube maintenance history aboard ship and in dock.**



DF40 Duplex Filters



EPF "iprotect" high pressure filter



iCountPD

Parker is the first name for filtration aboard ship, offshore and on the dock with a unique blend of marine fuel and lube filtration products and innovative customer solutions. Everything from on-deck winches and cranes, power generators to the engine room and steering hydraulics require Parker quality filtration. For predictive maintenance needs there's the Parker Fluid Contamination Monitoring programme with particle analysers, detectors and bottle sampling models for maximum portability.

For details please visit our website.

aerospace  
climate control  
electromechanical  
**filtration**  
fluid & gas handling  
hydraulics  
pneumatics  
process control  
sealing & shielding

**ENGINEERING YOUR SUCCESS.**



# Par-Test™

## Laboratory Analysis Service



**System performance does not rely on luck. Best practice for reducing cost of ownership**

### Oil Analysis service

The Par-Test service is a complete and comprehensive laboratory analysis performed on a small quantity of fluid supplied by the customer. Contamination monitoring and reporting of fluids has never been more important as part of the predictive maintenance and system monitoring programme.



### Contact Information:

Parker Hannifin  
**Hydraulic Filter Division Europe**

**European Product Information Centre**  
Freephone: 00800 27 27 5374  
(from AT, BE, CH, CZ, DE, EE, ES, FI, FR, IE, IT, PT, SE, SK, UK)  
filtrationinfo@parker.com

[www.parkerhfde.com](http://www.parkerhfde.com)

### Product Features:

- The Par-Test service is a complete laboratory analysis service.
- Analysis is performed on a small quantity of fluid supplied by the customer.
- Parker Filtration has 3 European laboratory locations.
- The resulting Par-Test report is comprehensive in its detail.

# Par-Test™

## Laboratory Analysis Service

### Changes to ISO Standards

#### The impact on filter performance reporting and the contamination code.

The changes to ISO contamination and filtration standards were brought about to solve accuracy, tracability, and availability issues. It is important to remember that both real world hydraulic system cleanliness levels and actual system filter performance remain unchanged.

However, the reporting of cleanliness levels and filter performance has changed due to the new particle counter calibration and multi-pass test procedures.

#### The actual calibration method.

ISO 11171 is the new particle counter calibration method and utilises calibration fluid made from ISO Medium Test Dust (ISO MTD) suspended in MIL-H-5606. The calibration fluid is traceable to the National Institute of Standards and Technology (NIST) and is designated by NIST as Standard Reference Material (SRM) 2806. ISO 11171 is replacing ISO 4402 which is based on obsolete AC Fine Test Dust (ACFTD)

It is important to note that the ISO 11171 calibration method is based on a distribution of particles measured by their equivalent area diameter, whereas ISO 4402 is based on distribution of particles measured by their longest chord. Also, the NIST work utilised scanning electron microscopy for particles below 10µm in size, whereas sizing distribution on ACFTD utilised optical microscopy.

The charts to the right show the approximate particle size relationship between the calibration methods.

Chart 1 - ISO Comparison
Former two-digit ISO 4406:1987 $\frac{5\mu\text{m} / 15\mu\text{m}}{14 / 11}$
Former three-digit ISO 4406:1987 $\frac{2\mu\text{m} / 5\mu\text{m} / 15\mu\text{m}}{17 / 14 / 11}$
New three-digit ISO 4406:1999 $\frac{4\mu\text{m} (c) / 6\mu\text{m} (c) / 14\mu\text{m} (c)}{18 / 14 / 11}$

Chart 2 - Particle Size Comparison	
ACTFD size (per ISO 4402:1991) µm	NIST size (per ISO 11171:1999) µm (c)
1	4.2
2	4.6
3	5.1
5	6.4
7	7.7
10	9.8
15	13.6
20	17.5
25	21.2
30	24.9
40	31.7





## Laboratory Analysis Service

The Par-Test service is a complete laboratory analysis performed on a small quantity of fluid supplied by the customer.

Provision of a sampling bottle of known cleanliness and a pre-addressed bottle container, both of which are designed to be suitable for mailing, is part of the service.

### Most contaminant in hydraulic or lube oil systems are invisible

Damage causing particles range from 5 to 40 micrometers in size, but the limit of human visibility is only 40 micrometers. Harmful particulate matter is often invisible, even in very high concentration. Also, acids, water and other fluid oxidation by-products cannot be easily detected by human senses. Some other means must be used to monitor fluid conditions.

Fluid analysis is the only method to check fluid conditions

Fluid analysis services may be as simple as a sample batch comparison. Or, a full laboratory treatment may be used to indicate the sources and quantity of contamination. In either case, important test results are achieved. Parker offers both types of services to fit your specific needs.

## Ordering Information

### Par-Test: laboratory fluid analysis

The purchase price for the Par-Test sample kit includes the pre-cleaned and sealed sample bottle, mailing tube with a pre-addressed label, sample information data sheet to be completely filled out by the end user and the complete laboratory analysis.

### Par-Test: complete laboratory analysis

Par-Test is a complete laboratory analysis, performed on a small quantity of fluid. The test results are very comprehensive, and can include the following critical analysis:

- Spectrochemical analysis of over 20 wear metals and additives.
- Particle count reported over five size ranges. The particle count is expressed as an ISO cleanliness code. It is also plotted on a graph for better comparisons.
- Viscosity at 40°C, 100°C, Viscosity Index and TAN are reported.
- Water content is expressed as a % of volume. Many hydraulic systems may tolerate up to 300 ppm (.03%) of water contamination. Some bearing or lube oil systems must strictly limit water content.
- Analysis recommendations summarises Par-Test results and indicates what action should be taken to prevent any potential problems.
- Fast turnaround—test results are mailed back to you within 24-48 hours after receiving your fluid sample. Tests including Spectro-chemical analysis allow 7 days.

### Par-Test: concise and complete

The Par-Test report you receive is neatly organised. You may quickly analyse the test results — or compare them to a previous sample. Using the same “unit number” on your sample information form will allow up to four test results listed on a single Par-Test report form. Par-Test belongs in your regular maintenance program. Comprehensive and accurate fluid analysis will help you prevent major hydraulic or lube oil system problems. Order Par-Test today (see below details) and see how easy and complete—fluid analysis can be.

### IMPORTANT

Parker Filtration has three European laboratory locations able to receive and process fluid samples. One location in the UK, one location in The Netherlands taking care of Central European analysis and a location in Finland to provide Scandinavian analysis. Decide on the Option required and contact the relevant Parker location.

Par-Test laboratory analysis service

- UK (Email: [filtrationinfo@parker.com](mailto:filtrationinfo@parker.com)) (option 2 only)
- Holland (Email: [filtration.netherlands@parker.com](mailto:filtration.netherlands@parker.com)) (all options)
- Finland (Email: [filtration.finland@parker.com](mailto:filtration.finland@parker.com)) (**option 2 only**)

Option	Description
Option 1	Sample bottle plus particle/membrane/water/microscopic photo analysis ( <b>Holland only</b> )
Option 2	Sample bottle plus particle/water/spectro-chemical analysis ( <b>Finland and UK only</b> )
Option 3	Sample bottle plus membrane/water/microscopic photo analysis ( <b>Holland only</b> )
Option 4	Sample bottle plus particle/membrane/water/spectro-chemical/microscopic photo analysis ( <b>Holland only</b> )

Note: Please allow 24-48 hours of laboratory time plus mailing/shipping time to receive your test results.



# Par-Test™ Charts

## Laboratory Analysis Service



PARKER NO.	CLIENT NO.	UNIT NO.
1000.	27	4714

OTHER 295 LOCATION RETURN

FILTER MANUF PARKER MICRON RATING 10NOM

PUMP MODEL LINE TRUCK

FLUID MANUF FLUID TYPE

NUMBER COPIES 2  
TYPE NUMBER 2

### SAMPLE DATA

LAB#	DATE TAKEN/TESTEN	DATE FILTER SERVICE
9261	30JUN89 02JUL89	
9262	28JUL89 30JUL89	
9263	20AUG89 22AUG89	

SPECTROCHEMICAL ANALYSIS VALUES EXPRESSED IN PARTS PER MILLION (PPM) UNLESS OTHERWISE NOTED																				
IRON	CHROMIUM	LEAD	COPPER	TIN	ALUMINIUM	NICKEL	SILVER	MANGANESE	SILICON	BORON	SODIUM	MAGNESIUM	CALCIUM	BARIUM	PHOSPHORUS	ZINC	MOLYBDENUM	TITANIUM	VANADIUM	CADMIUM
3	0	0	2	0	0	0	0	0	9	0	0	4	24	25	156	244	0	0	0	0
2	0	0	2	0	0	0	0	0	9	0	0	4	24	25	156	244	0	0	0	0
1	1	0	1	0	0	0	0	0	7	0	0	1	29	24	133	207	0	0	0	0

PHYSICAL PROPERTY DATA			
VIS 40°C (MS 104 °F)	VIS 100°C (MS 212 °F)	WATER	
32.7	N/A	0	
32.8	N/A	0	
32.3	N/A	0	

LAB#	ISO RATING	ANALYSIS RECOMMENDATIONS
9261	20/ 17	
9262	19/ 14	
9263	16/ 12	

PARTICLES PER 100 MILLILITRE GREATER THAN INDICATED SIZE				
>5	>15	>25	>50	>100
667,488	67,608	15,440	872	88
315,466	12,052	2,496	296	8
41,758	2,280	664	112	16

**LAB# ANALYSIS RECOMMENDATIONS**

9261 EXTREME LEVELS OF CONTAMINATION INDICATE POSSIBLE WEAR PROBLEMS. HIGHER PRESSURE SYSTEMS (>1500 PSI) SHOULD RECEIVE IMMEDIATE FILTRATION ATTENTION. SAMPLE AGAIN WITHIN 30 DAYS

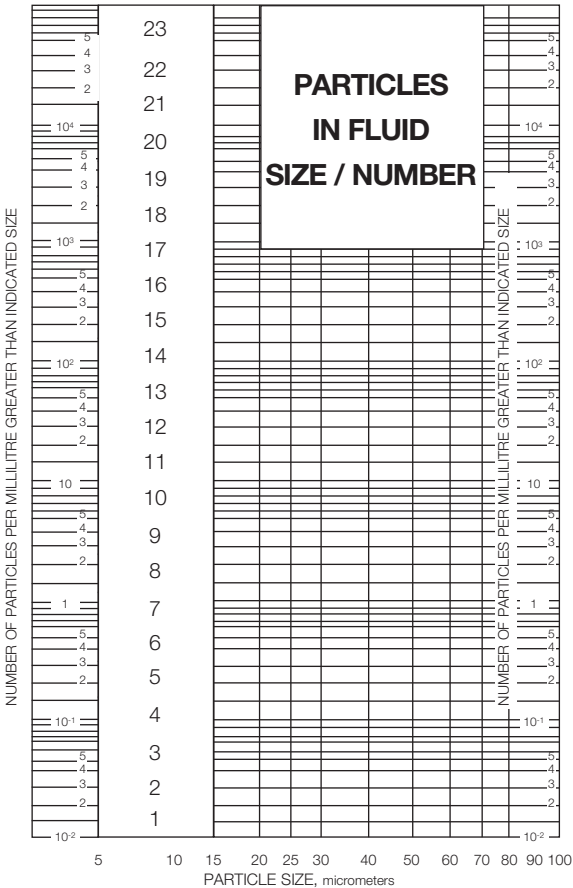
9262 EXTREME LEVEL OF CONTAMINATION INDICATE POSSIBLE WEAR PROBLEMS.

**LAB# ANALYSIS RECOMMENDATIONS**

HIGHER PRESSURE SYSTEMS (>1500 PSI) SHOULD RECEIVE IMMEDIATE FILTRATION ATTENTION. SAMPLE AGAIN WITHIN 30 DAYS

9263 CLEANLINESS LEVEL SUITABLE FOR MOST SYSTEMS. SERVO CONTROLS REQUIRE CLEANER FLUID. CONTINUE REGULAR PREVENTIVE MAINTENANCE. SAMPLE AGAIN IN 2 - 3 MONTHS.

Since remedial advice is based on test results provided by others, and since corrective action, if any is performed by others, remedial advice is rendered without warranty or liability of any kind.



cSt (centistokes)	SUS (Saybolt Universal Seconds)
10	46
20	93
25	116
30	139
32.4	150
40	185
50	232
70	324
90	417

Comparisons are made at 100°F (38°C).  
for other Viscosity Conversion Approximations, use the formula:  $cSt = \frac{SUS}{4.635}$

ISO Code	Particles/Millilitre ≥ 5 Micrometers	Particles/Millilitre ≥ 15 Micrometers	ACFTD Gravimetric Level, mg/L	NAS 1638 (1964)	Disavowed "SAE" Level (1963)
26/23	640,000	80,000	1000		
25/23	320,000	80,000			
23/20	80,000	10,000	100		
21/18	20,000	2,500		12	
20/18	10,000	2,500			
20/17	10,000	1,300		11	
20/16	10,000	640	10		
19/16	5,000	640	10		
18/15	2,500	320		9	6
17/14	1,300	160		8	5
16/13	640	80	1	7	4
15/12	320	40		6	3
14/12	160	20		5	2
14/11	160	20		5	2
13/10	80	10	0.1	4	1
12/9	40	5		3	0
11/8	20	2.5		2	
10/8	10	2.5			
10/7	10	1.3		1	
10/6	10	.64	0.01		

For more information: Contact Parker Filtration's Condition Monitoring Centre: Tel: +44 (0) 1842 763299.  
Fax: +44 (0) 1842 756300. Email: [commoninfo@parker.com](mailto:commoninfo@parker.com)



# Guardian®

Portable Hydraulic Filtration Systems

Max. 15 l/min - 3.4 bar



## Making portable system cleanliness available all the time

### A 'use anywhere' fluid transfer solution

The Guardian® portable filtration system is designed to 'clean' new oil and deliver it to a system or carry out a clean up of used fluid to its original condition. Maximum pressure 3.4 bar. Maximum flow 15 l/min. A water removal element option is also available.



## Contact Information:

Parker Hannifin  
Hydraulic Filter Division Europe

European Product  
Information Centre  
Freephone: 00800 27 27 5374  
(from AT, BE, CH, CZ, DE, EE, ES,  
FI, FR, IE, IT, PT, SE, SK, UK)  
filtrationinfo@parker.com

www.parkerhfde.com

## Product Features:

- Guardian® is designed to 'clean' new oil and deliver it to a system.
- Carries out a clean up of existing fluid to its original condition.
- Maximum pressure 3.4 bar. Maximum flow 15 l/min.
- Filters petroleum based oils, water emulsions and diesel fuels.

# Guardian®

## Portable Hydraulic Filtration Systems

### Features & Benefits

Features	Advantages
Portable and robust design	Guardian is designed to be used anywhere. Take it to the system or transfer new oil from the drum.
Lightweight design	Only 10.6 kg
Quick disconnect hose connections	Storage is simple. Guardian's compact design means it is easily stowed.
Visual indicator	Operational condition is constantly monitored
110VAC or 220/240VAC options	Guardian's power flexibility means it can be used anywhere.
A range of clean-up elements	A user can specify the media that will best achieve his clean up/filtering requirements.
Water removal element option	Water removal from the system is an important requirement for fluid efficiency.

Note: 15 l/min / Fluid transfer at a controlled rate

- Fluid transfer
- Offline reservoir clean-up
- Injection moulding machines
- Royal navy surface fleet systems
- Paper mills
- Industrial equipment
- Mobile equipment
- Marine system support

### The Parker Filtration Guardian® portable filtration systems.

Guardian is a portable filtration system with two main functions: to ensure that new 'dirty' fluid often contaminated during handling, is delivered to the system at a specific cleanliness; and to permit periodic clean up of existing fluid to original condition.

**Recommended fluids: Petroleum based oils, water emulsions and diesel fuels.**

### Application Example

A hydraulic system reservoir had become heavily contaminated and the hydraulic system was in danger of a catastrophic failure from particulate and water contamination. These contaminants were introduced from various points – airborne, wear and introduction of new 'dirty' fluids. The Guardian filtration system was installed into the hydraulic systems reservoir and run completely off-line for a period of time until acceptable contamination levels were achieved.

This off-line attachment allowed the hydraulic system to continue operating without costly downtimes. Additionally a Water Removal (WR) Element was also fitted to the Guardian, which radically reduced the water contamination within the entire system.

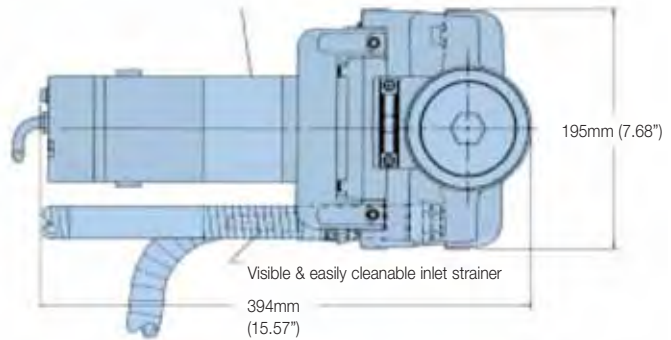
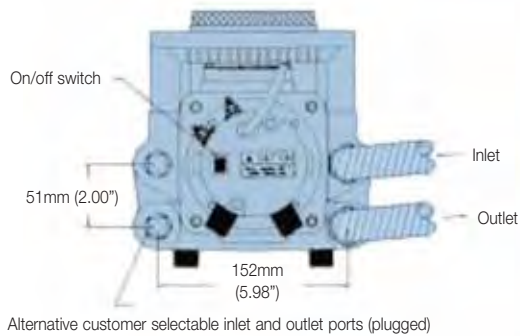
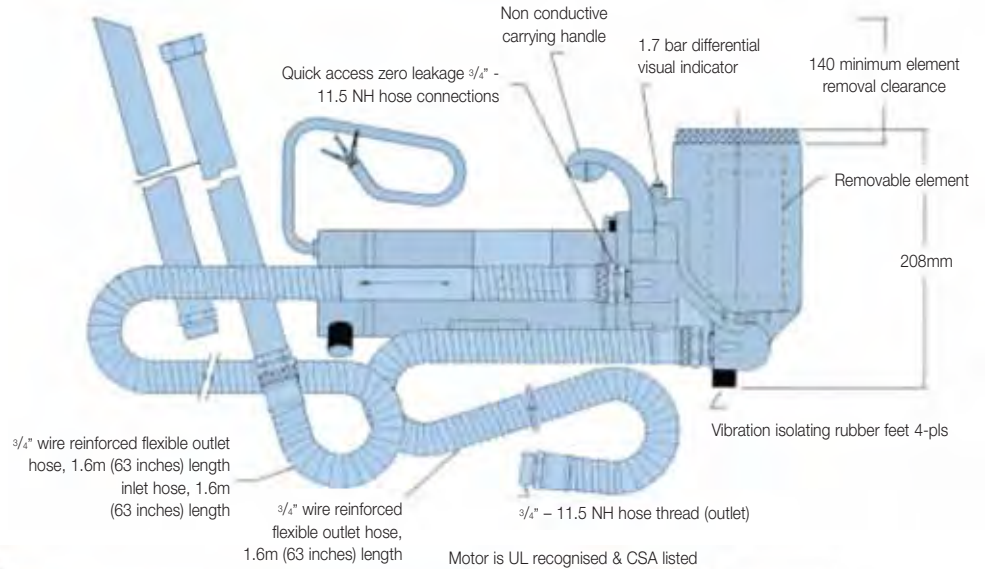
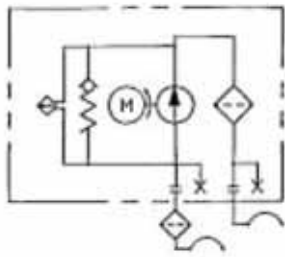
This customer will 'only now' introduce new fluids into his hydraulic application by using the Guardian filtration system and in addition utilises the Guardian off-line option to maintain and protect his system.

Contamination levels are monitored by an LCM202022 which controls the Guardians operation.

Result: reliability and complete confidence restored.



# Specification



# Guardian®

## Portable Hydraulic Filtration Systems

### Ordering Information and Product Configurator

#### Standard products table

Part number	Supersedes	Model (fluorocarbon)	Motor option	Element (μ)	Options	Plug type	Replacement element
<b>GT4E110Q1UK</b>	F3-GT4E-1-10Q-1-UK	GT4E	1	10Q	1	UK	<b>G04396Q</b>
<b>GT4E110Q1EUR</b>	F3-GT4E-1-10Q-1-EUR	GT4E	1	10Q	1	EUR	<b>G04396Q</b>
<b>GT4E210Q1IND</b>	F3-GT4E-2-10Q-1-IND	GT4E	2	10Q	1	IND	<b>G04396Q</b>

Note 1: Motor Options\*

Option 1 = 220/240 VAC

Option 2 = 110 VAC.

Note 2: Plug Type\*\*

IND = Industrial 110VAC UK Option.

#### Replacement elements

##### Guardian replacement elements to ISO16889

Part number	Media code	Media type
<b>G04396Q</b>	10Q	Microglass III
<b>G04394Q</b>	02Q	Microglass III
<b>G04395Q</b>	05Q	Microglass III
<b>G04397Q</b>	20Q	Microglass III
<b>G04400</b>	25	Wire mesh
<b>G04401</b>	40	Wire mesh
<b>G04402</b>	74	Wire mesh
<b>932019</b>	WR	Water removal

Note 1: Part numbers featured with bold highlighted codes will ensure a 'standard' product selection.

Note 2: Alternate displayed part number selection will require you to contact Parker Filtration for availability.

# Filtration Unit

Hydraulic Service Equipment

Max. 15 l/min - 6 bar



## Permanent and offline fluid cleaning

### Reliable fluid transfer from drum to system

The Filtration unit offers both permanent and offline fluid cleaning where higher levels of contamination are expected. Maximum pressure 6 bar. Maximum flow 15 l/min. Designed to take the unit to the application for maximum efficiency in use.



## Contact Information:

Parker Hannifin  
**Hydraulic Filter Division Europe**

**European Product  
Information Centre**  
Freephone: 00800 27 27 5374  
(from AT, BE, CH, CZ, DE, EE, ES,  
FI, FR, IE, IT, PT, SE, SK, UK)  
filtrationinfo@parker.com

[www.parkerhfde.com](http://www.parkerhfde.com)

## Product Features:

- Filtration unit offers both permanent and offline fluid cleaning where higher levels of contamination are expected.
- Lightweight design. Spin-on 10 micron Abs. element.
- Maximum pressure 6 bar. Maximum flow 15 l/min.
- Robust construction.

# Filtration Unit

## Hydraulic Service Equipment

### Features & Benefits

Features	Advantages	Benefits
Single phase and three phase motor options	Flexibility of power output	End user choice dependent on application
15 l/min flow	Fluid transfer at a controlled rate	Reliable fluid transfer from drum to system
Red/green visual indicator	Clear indication of condition during operation	High visibility during operation
Robust construction	Reliability designed in	Designed to be used even in the most demanding conditions
Spin-on element	Easy change element	10 micron Abs. elements
Lightweight design	Easy to locate when and where required	Take the unit to the application. It's that easy

### Typical Applications

- Fluid transfer
- Small lubrication systems
- Constant flushing loops
- Maintenance flushing
- Offline filtration in circuits where pressure and flow pulses are expected

### The Parker Filtration Service Equipment.

Designed to offer both permanent and offline cleaning where higher levels of contamination are expected and portable additional clean-up capability as part of your preventative maintenance package.





## Specification

### Electric motor

Frame Size: IEC Frame 63. Foot and flange 'D' (Flange IEC.F115). Totally enclosed fan cooled.

Windings: 380/420 volt 3 ph/50 Hz, 220 Volt 1 ph/50 Hz 110 Volt 1 ph/50 Hz.

Power: 0.18 kW (1/4 hp).

Speed: 1400 rev/min.

It is recommended that the Unit is wired independently from the main system when permanently installed, to facilitate the simple changing of the filter element without interrupting the main system.

### Filtration unit description

The Parker 'Filtration Unit' consists of an electric motor directly coupled to a hydraulic pump, which has a built in bypass fitted and spin on filter element. Fluid drawn in at pump inlet is circulated through the filter element and is thus cleaned before being delivered from the outlet port. A built in bypass valve safeguards the element in the event of blockage and returns oil to the pump inlet, this ensures that all fluid output from the unit is filtered, whatever the operating conditions. A visual element condition indicator is fitted to the pump. A unit is available without electric motor for customers who prefer to supply their own. See installation notes and part numbers for ordering.

### Pump and bypass valve

Pump: Lobe type for quiet running.

Flow: 15 l/min.

Connections: Inlet G<sup>1/2</sup> (1/2" BSP).  
Outlet G<sup>3/8</sup> (3/8" BSP).

Bypass Valve: Cracks at 1.5 bar approximately. Bypassed oil is recirculated within the pump. Bypassed oil is reintroduced into the inlet port and does not pass the filter. Bypass operates when the element is contaminated

and needs replacing. This condition will be made clear by the visual indicator. The Bypass Valve could also open when being used with high viscosity fluids, thus effectively reducing the unit output.

### Filter and condition indicator

Filter Type: Rapid replacement spin-on can with 10µ cellulose element. Ensure that end clearance (20mm) is available to permit element withdrawal. 10µ absolute. MXR8550

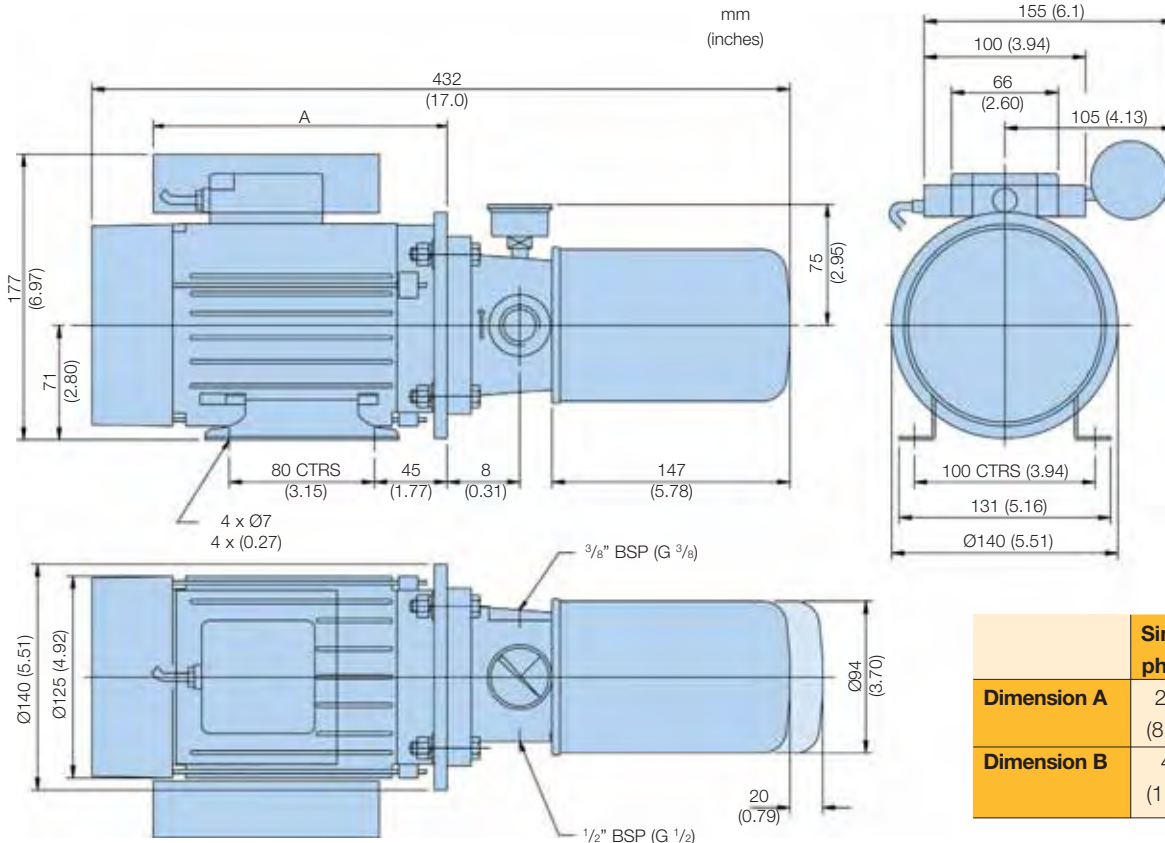
### Visual indicator

Has green and red zones on the dial. Needle in the green zone indicates normal operation. When the needle enters the red zone, the bypass valve will permit a flow of oil to return to the pump inlet – The element will then need to be replaced. The bypass is fully open when the needle is at the extreme of the red sector.

### Sound level

The Filtration Unit under normal conditions will operate at a sound pressure level of approximately 65 dBA.

## Installation Details



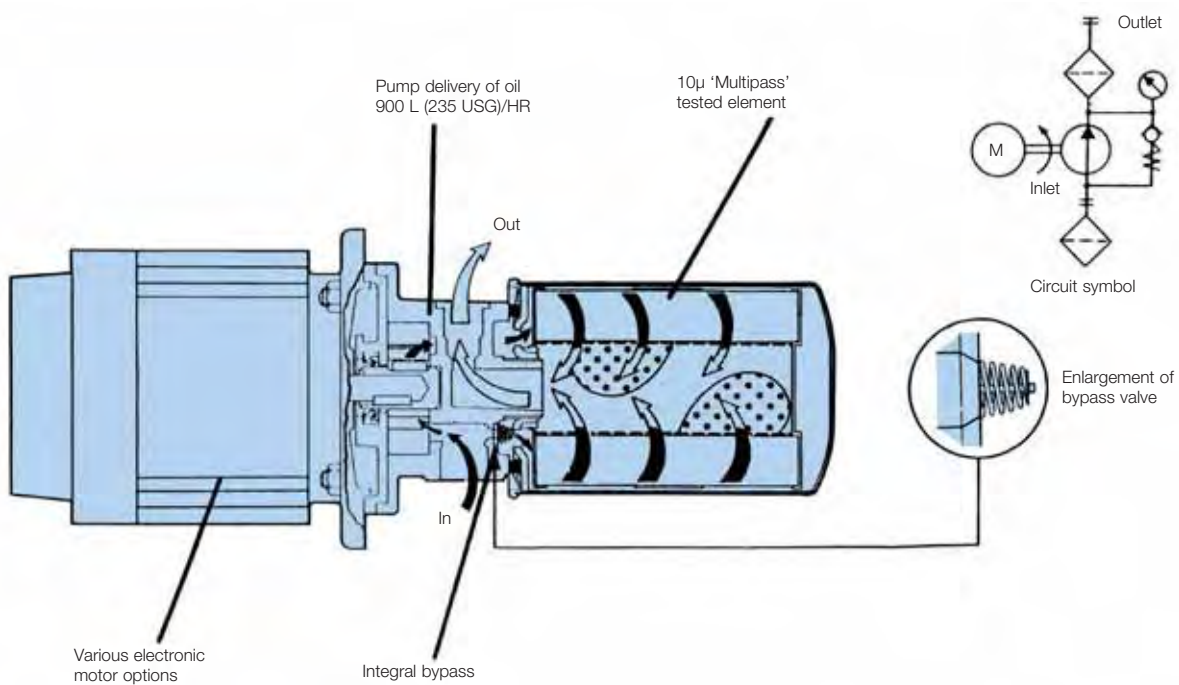
	Single phase	Three phase
<b>Dimension A</b>	221 (8.70)	184 (7.24)
<b>Dimension B</b>	45 (1.77)	25 (0.98)



# Filtration Unit

## Hydraulic Service Equipment

### Sectioned Detail



### Installation and Operational Notes

The Filtration Unit is suitable for mineral based oils. Maximum viscosity at start up condition 850 centistokes-minimum viscosity 8 centistokes. Note that at 850 centistokes output will be reduced due to opening of bypass. Maximum operating temperature +90°C (194°F).

**The inlet pipe** should be as large and as short as convenient to reduce inlet depression to a minimum. It should not be less than 12mm (0.47") internal diameter.

**Suction element SE7511110** is supplied with all assemblies and must be installed. Ensure that a minimum 75mm (2.95") head of oil is maintained above the suction element.

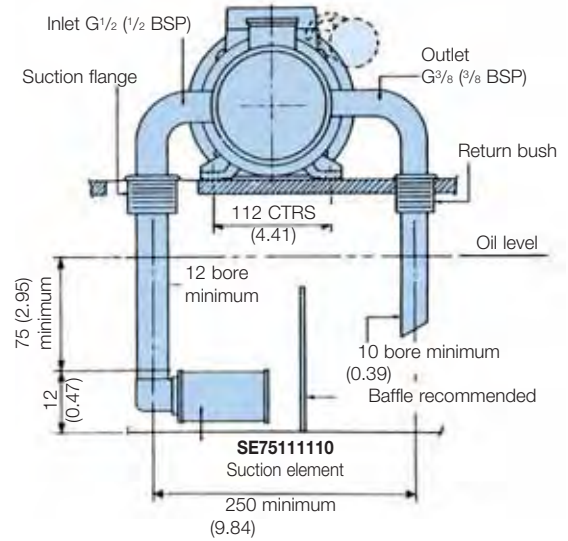
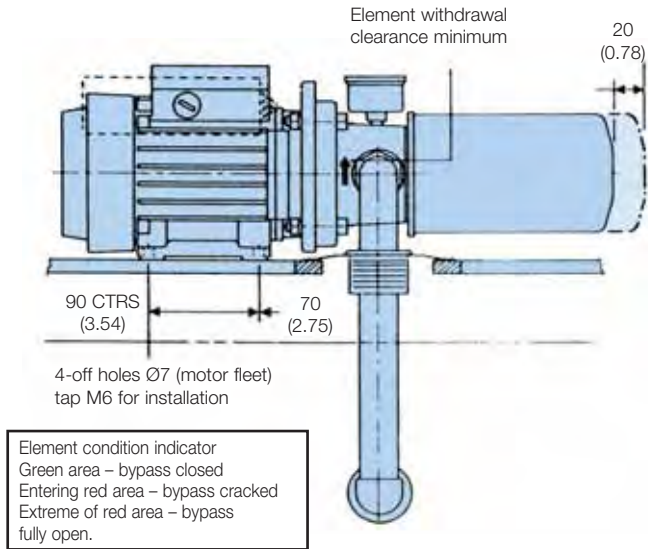
**The outlet pipe** should be as large as possible to reduce the possibility of delivery pressure exceeding the bypass valve setting. It should not be less than 10mm (0.39") internal diameter. The discharge end of this pipe should always be below the oil surface to minimise aeration. It is equally important, to ensure the ends of the inlet and outlet pipes are as far apart as possible. It is recommended that a baffle be positioned between the suction and return pipes, to give maximum circulation of oil.

#### Installation details – 2742

The Filtration Unit is available without an electrical motor, any type motor may be used of identical frame, flange and shaft size to that stated in the specification. Remove the key, fitted to electric motor shaft. There are four nuts and bolts M8-1.25mm thread supplied loose, the pump housing is complete with a shaft adaptor with internal drive pin.

To fit pump to electric motor simply insert drive shaft of motor into the pump drive adaptor ensuring the drive pin engages in shaft keyway and that the locating spigot are correctly engaged. Complete the assembly by fitting the four nuts, bolts and washers.

## Ideal Application



## Ordering Information

### Standard products table

Part number	Description	Weight	Replacement elements
<b>2741</b>	10µ abs. filtration pump complete with 3 phase electric motor (380/420/50 Hz H.E.F.C class F) visual indicator	5.92 Kg (13.02 lbs)	<b>MXR8550 (10µ abs.)</b>
<b>2742</b>	10µ abs. filtration pump without electric motor (supplied with 4 x nuts, bolts and washers) visual indicator	1.50 Kg (3.3 lbs)	
<b>2743</b>	10µ abs. filtration pump complete with single phase electric motor (220/50 Hz T.E.F.C class F) visual indicator	6.20 Kg (13.64 lbs)	
<b>2744</b>	10µ abs. filtration pump complete with single phase electric motor (110/50 Hz T.E.F.C class F) visual indicator	6.20 Kg (13.64 lbs)	

Note 1: Part numbers featured with bold highlighted codes will ensure a 'standard' product selection

Note 2: Alternate displayed part number selection will require you to contact Parker Filtration for Availability



# 10MFP Series

with Moduflow™ plus  
Portable Filtration Trolley



## The ideal way to pre-filter and transfer fluid

### Transfer fluid from drums or storage tanks

Using a Parker portable filter trolley is the most economic way to protect your system from the harm that can be caused by contamination.

*Option.* Consider specifying an icountPD particle detector to allow accurate detection of particulate when transferring oil.



## Contact Information: Product Features:

Parker Hannifin  
**Hydraulic Filter Division Europe**

**European Product  
Information Centre**  
Freephone: 00800 27 27 5374  
(from AT, BE, CH, CZ, DE, EE, ES,  
FI, FR, IE, IT, PT, SE, SK, UK)  
filtrationinfo@parker.com

[www.parkerhfde.com](http://www.parkerhfde.com)

- 10MFP hydraulic trolley is the ideal way to pre-filter and transfer fluids into reservoirs or to clean up a system.
- Heavy-duty frame but still lightweight and portable.
- Maximum flow 38 l/min.
- Par-Gel™ water removal elements available.
- icountPD particle detector option.
- MS Moisture Sensor option.

# 10MFP Series

## Portable Filtration Trolley

### Applications for Portable Filter Carts

- **Filtering new fluid before putting into service**
- **Transferring fluid from drums or storage tanks to system reservoirs**
- **Conditioning fluid that is already in use**
- **Complimenting existing system filtration**
- **Removing free water from a system**
- **For use with fluids such as hydraulic, gear and lube oils**

Parker portable filter carts are the ideal way to prefilter and transfer fluids into reservoirs or to clean up existing systems.

Fluid should always be filtered before being put into use. New fluid is not necessarily clean fluid. Most new fluids (right out of the drum) are unfit for use due to high initial contamination levels. Contamination, both particulate and water, may be added to a new fluid during processing, mixing, handling and storage.

Water is removed by installing Par-Gel™ elements in the outlet filter. Par-Gel™ elements are made from a polymer which has a very high affinity for free water.

Once water comes into contact with this material, it is removed from the system.

The Parker portable filter cart uses two high capacity ModuFlow™ Plus filters for long element life and better system protection. The first stage (inlet) filter captures larger particles, while the second stage (outlet) filter controls finer particles or removes water. A rugged industrial quality gear pump gets the job done fast.

Using a Parker portable filter cart is the most economical way to protect your system from the harm that can be caused by contamination.

Features	Advantages	Benefits
<ul style="list-style-type: none"> <li>• Two filters instead of one w/ 2.5 times increased DHC</li> </ul>	<ul style="list-style-type: none"> <li>• Pump protection and long element life</li> </ul>	<ul style="list-style-type: none"> <li>• Element cost savings and trouble-free service</li> </ul>
<ul style="list-style-type: none"> <li>• Wide variety of particulate elements available</li> </ul>	<ul style="list-style-type: none"> <li>• Capable of getting a fluid to a desired cleanliness level</li> </ul>	<ul style="list-style-type: none"> <li>• Extends fluid life and system performance</li> </ul>
<ul style="list-style-type: none"> <li>• Par-Gel™ water removal elements available</li> </ul>	<ul style="list-style-type: none"> <li>• Removes “free water” from a system</li> </ul>	<ul style="list-style-type: none"> <li>• Gets dirt and water out of system with one process</li> </ul>
<ul style="list-style-type: none"> <li>• Heavy duty frame</li> </ul>	<ul style="list-style-type: none"> <li>• Rugged and durable</li> </ul>	<ul style="list-style-type: none"> <li>• Built to last for many years of use</li> </ul>
<ul style="list-style-type: none"> <li>• Lightweight and portable</li> </ul>	<ul style="list-style-type: none"> <li>• Easy to move from place-to-place</li> </ul>	<ul style="list-style-type: none"> <li>• One person operation</li> </ul>
<ul style="list-style-type: none"> <li>• 3.35 m hose and wand assemblies included</li> </ul>	<ul style="list-style-type: none"> <li>• Additional hardware not necessary</li> </ul>	<ul style="list-style-type: none"> <li>• Ready to use as received</li> </ul>

# Features

## Hose & wand assembly

- Ready to use; no additional hardware needed
- Flexible hoses for tight spots
- Kink-resistant hose prevents pump cavitation

## Visual indicator

- Tells you when to change element

## Heavy Duty frame

- Rugged and built to last

## Dual filters

- Two stage, double length filtration for long element life and pump protection

## Elements (not shown)

- Available for both particulate and Water Removal (WR) in double length w/ 2.5 times increased dirt holding capacity

## Icount PD (SmartCart option)

- Early warning LED or digital display indicators for Low, Medium and High contamination levels
- Self diagnostic software

## Service cover

- Top-accessible for easy changing of elements

## Electrical Cord Reel Option Consult Parker Filtration

## 110V/220V AC motor

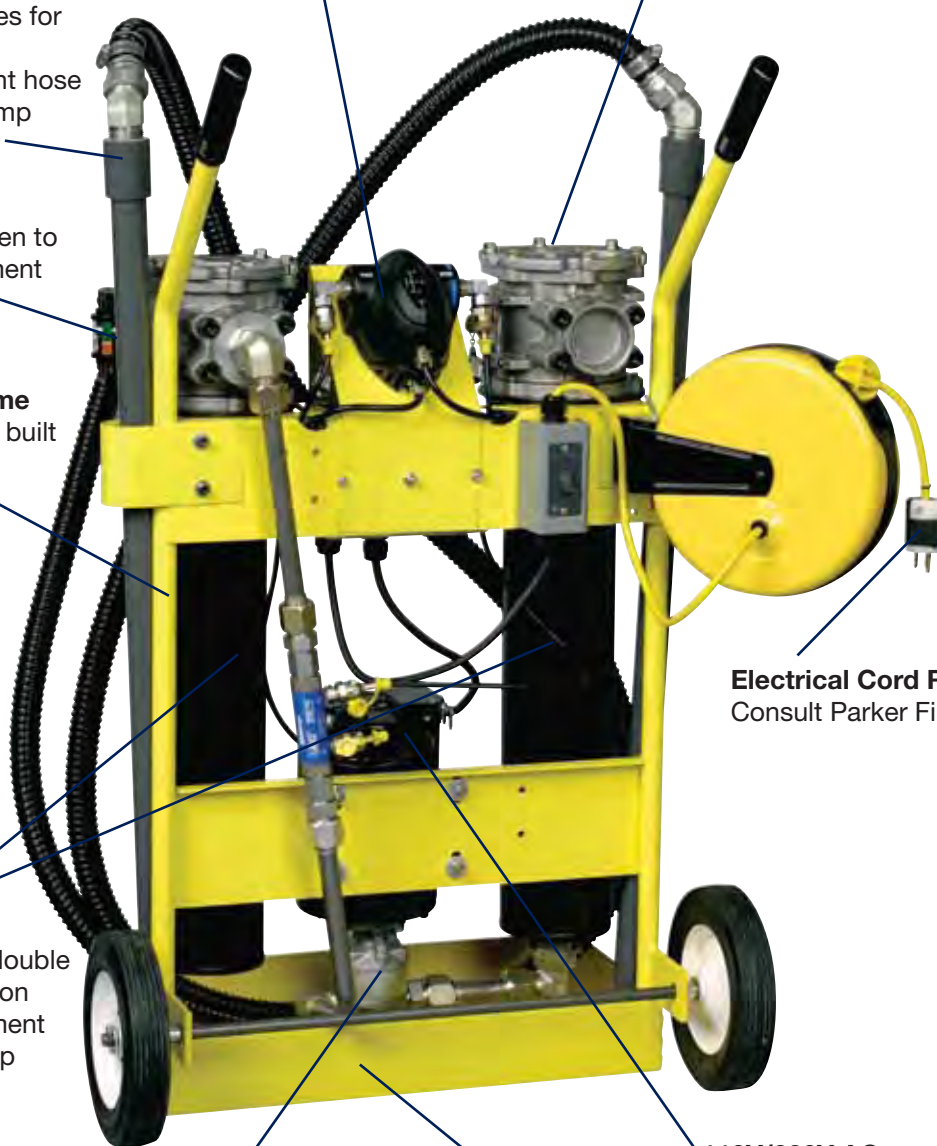
- Industrial brand name

## Gear pump

- Industrial quality
- Quiet operation
- Dependable, long life

## Drip tray

- Helps keep the work area safe and clean



# 10MFP Series

## Portable Filtration Trolley

### Specifications:

#### Maximum Recommended Fluid

##### Viscosity:

10MFP – (108 cSt) 500 SUS  
0.85 specific gravity

#### Visual Indicator (outlet filter):

Visual differential type  
3-band (clean, change, bypass)

#### Filter Bypass Valve Settings

##### (Integral to Element):

Inlet – 0.2 bar (3 psi)  
Outlet – 2.4 bar (35 psi)

#### Flow Rate:

38 L/min (8.3 Gal/min)

#### Operating Temperature:

-40°C to +66°C (-40°F to +150°F)

#### Electrical Service Required:

10MFP – 110/220 volts, 60/50  
Hz, single phase, 10/5 amps

#### Electrical Motor:

10MFP – ¾ hp @ 3450 rpm, O.D.P.  
Thermal overload protection

#### Construction:

Cart frame – Steel  
Filter head – Aluminum  
Filter bowl – Steel  
Hoses – PVC (Std.)  
EPDM (high temp option)  
Wands – PVC (Std.)  
Steel tube (high temp option)

#### Weight:

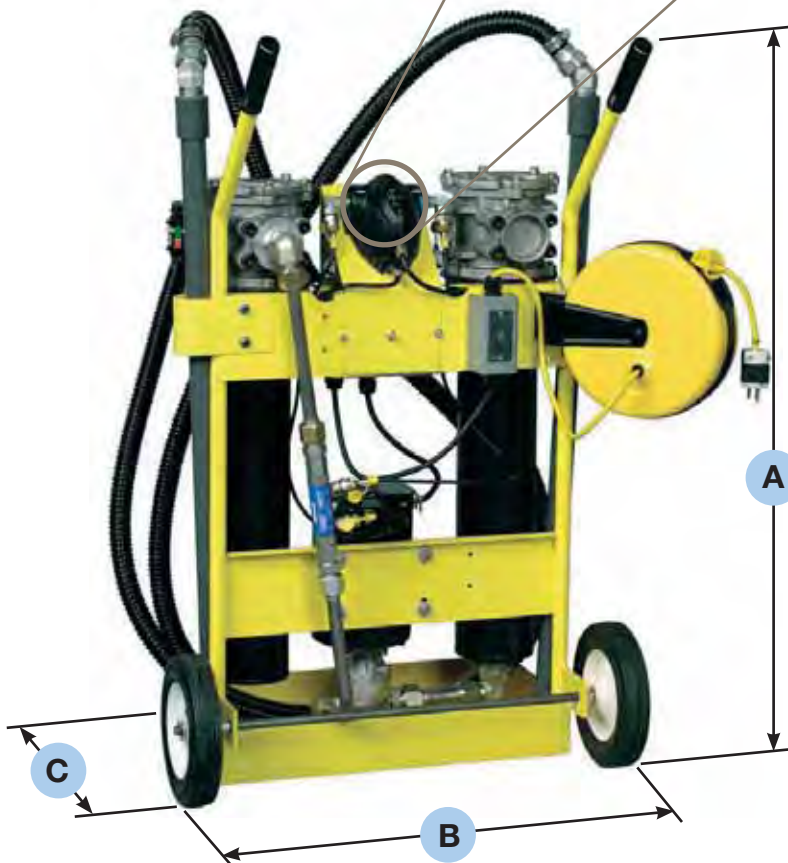
45.4kg (110 lbs.)

#### Dimensions:

A = Height: 1034mm (40.7 in.)

B = Width: 648mm (25.5 in.)

C = Depth: 503mm (19.8 in.)



### New feature!

#### SmartCart

Parker is pleased to announce its R&D effort to offer a diagnostic filter trolley - the SmartCart. The icountPD particle detector, the most up-to-date technology in solid particle detection, can be mounted to the standard frame of the filter cart for enhanced monitoring of your hydraulic system. The icountPD, coupled with the filter cart is a cost effective solution to fluid management and contamination control.

Note: Electrical Cord Reel is an option. Consult Parker Filtration



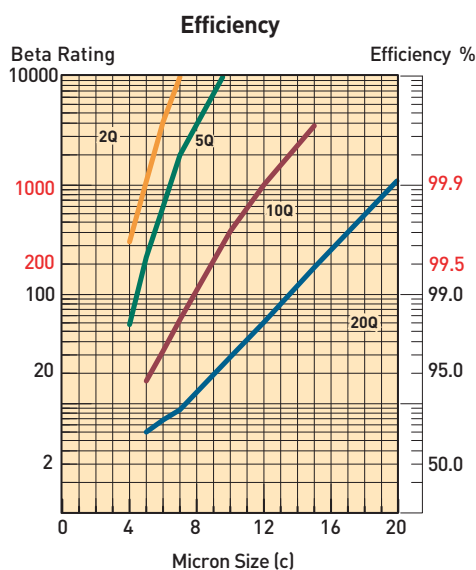
## Typical Fluid Cleanliness Level Requirements

Many manufacturers of hydraulic components have established fluid cleanliness levels for their components. Using a portable filter cart can be a very effective way to reach and maintain these cleanliness levels.

Component	ISO Cleanliness Level
Servo control valves	16/14/11
Proportional valves	17/15/12
Vane and piston pumps/motors	18/16/13
Directional and pressure control valves	18/16/13
Gear pumps/motors	19/17/14
Flow control valves cylinders	20/18/15
New fluid	20/18/15

## Filter Cart Element Performance

Media Code	Filter Media	Capacity (Grams)
40W	Woven Wire	*
40SA	Synthetic	*
20Q	Microglass III	140
10Q	Microglass III	135
05Q	Microglass III	130
02Q	Microglass III	110



Notes: Multipass test run @ 80 l/pm to 3.5 bar terminal - 5 mg/l BUGL.

## Filter Cart Performance

Fluid cleanliness levels are a function of initial contamination levels, contamination ingress rates, reservoir size and filter element efficiency. The chart below lists approximate time requirements to achieve certain cleanliness levels based on the assumptions noted.

Reservoir Capacity (Litres)	Time Required (Hours)	Projected Cleanliness Level (ISO)
190	0.5	20/18/15
190	1.0	17/15/12
190	2.5	16/14/11
378	1.5	18/16/13
378	2.5	17/15/12
378	4.0	16/14/11
757	2.5	19/17/14
757	3.5	18/16/13
757	5.0	17/15/12

Notes:

The results in the chart are based on the following assumption:

1. Initial contamination level is 500,000 particles greater than 10 micrometers per 100 ml of fluid (10MFP cart).
2. Inlet filter fitted with 40SA element; outlet with 20Q element.
3. System ingress rate equal to  $1 \times 10^6$  particles greater than 10 micrometers entering the system per minute.

## Par-Gel™ Media Water Capacity

Model	Fluid Viscosity	Capacity
10MFP	14cSt	500 ml
	43cSt	300 ml

Notes:

1. Par-Gel™ elements are designed to remove “free water”, which is defined as water that is above a particular fluid’s saturation level.
2. Capacity is very dependent on flow rate and viscosity. Not recommended with fluids in excess of 500 SUS.

## Assembly

1. Install hoses to inlet and outlet filters by threading the hose end with the straight thread o-ring seal fitting into the filter flange.
2. Connect the PVC tube wands to the swivel fitting on the hose end. When servicing the PVC tube wand, do not over-torque the metal fittings going into the PVC coupling. Over-torque will result in cracking the coupling. Generally, 1/4 turn beyond hand-tight is sufficient.

## Operating Instructions

1. Insert the inlet wand assembly into the supply fluid receptacle (drum/reservoir). The RFP filter is the inlet filter.
2. Insert the outlet wand assembly into the clean fluid receptacle (drum/reservoir). The ILP filter is the outlet filter.

**Caution:** Do not kink the hose assemblies, this may result in excessive vacuum or pressure at the pump.

3. Verify that the ON/OFF switch is OFF and plug the cord into the proper grounded power source (3 wire).
4. Turn switch to ON position and check outlet wand for oil flow. Allow 30 to 60 seconds for filters to fill with oil. If repeated attempts to obtain oil flow fail, check pump inlet fittings for tightness, remove inlet filter access cover and verify the cover sealing o-ring is in place. For very viscous fluids it may be necessary to pour 1 or 2 quarts of fluid into the RFP inlet filter housing to prime pump initially.
5. The condition of the filter element should be monitored by observing the cleanliness indicator on the outlet filter. When the indicator is in the CHANGE position, both inlet and outlet filter elements MUST be replaced to prevent fluid from going through the bypass in the filters.

6. The inlet filter element is provided with a 0.2 bar bypass spring, and prevents the pump from cavitating if the element is not changed. The outlet filter element is provided with a 2.4 bar bypass spring to prevent excessive pressure which may be harmful to personnel or to the filter cart.
4. Pull filter element from the filter head.
  - a) Replace the synthetic or Microglass III elements. Verify replacement.
  - b) Wire mesh elements can be cleaned. Ultrasonic cleaners provide best results.

**Warning:** The filter bypass spring acts as a relief valve for the pump. Do not restrict the outlet hose with a shut-off valve which will defeat the function of the bypass valve, causing excessive pressure, which may be harmful to personnel or to the filter cart.

7. The cleanliness indicator works on differential pressure and will indicate the condition of the element (CLEAN, CHANGE, or BYPASS).

**NOTE:** The filter cart must be in operation for the indicator to read properly.

## Maintenance Instructions

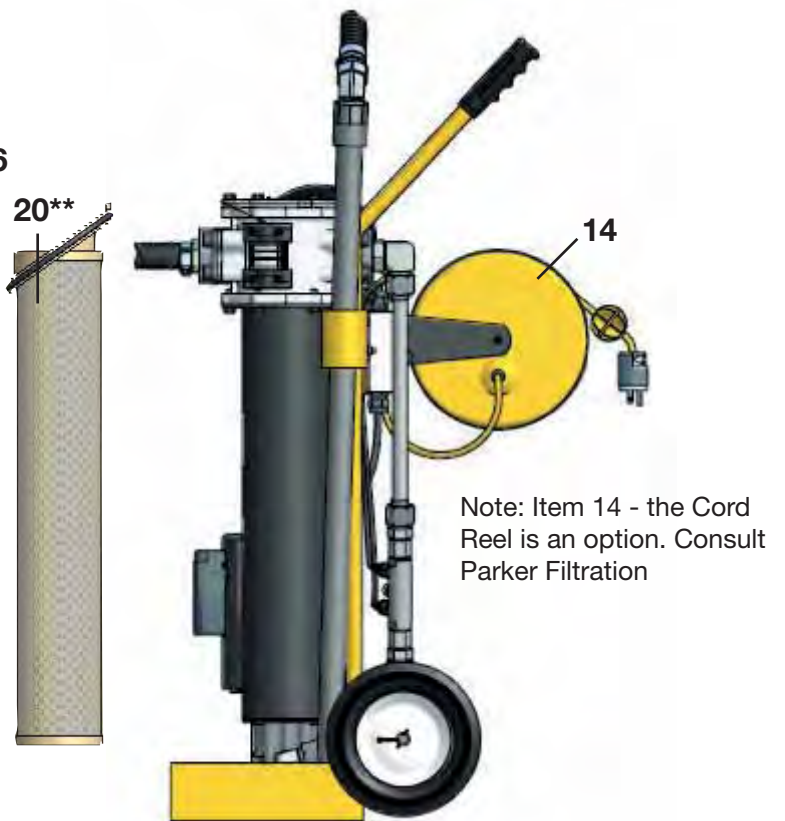
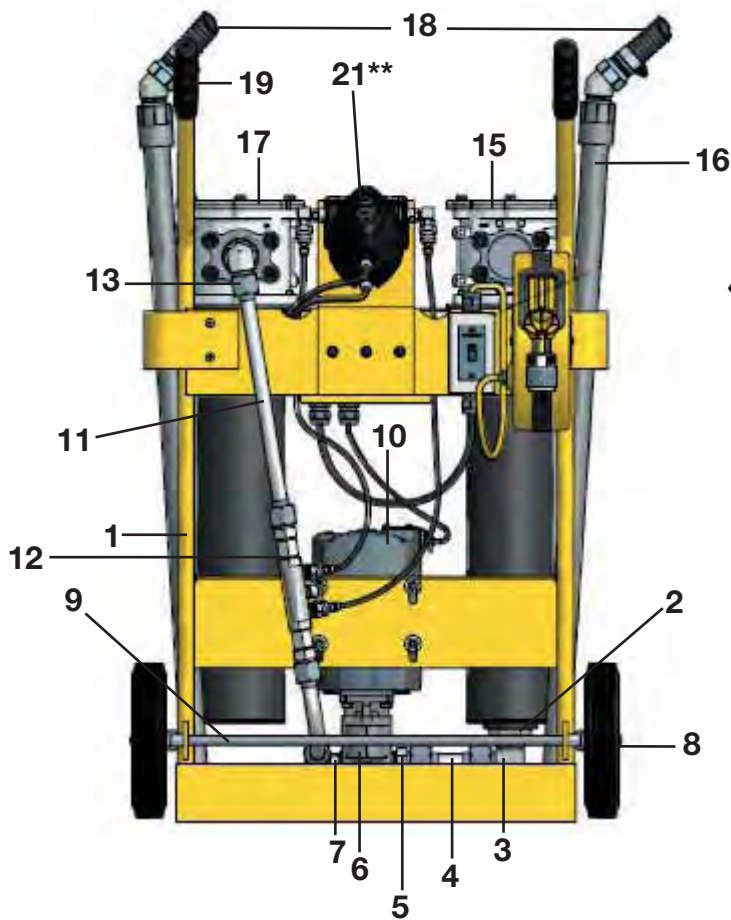
1. Turn switch to OFF position and unplug cord from electrical outlet.
2. Remove tube wands from oil to prevent siphoning.
3. Loosen hex head screws on filter cover. Turn cover to clear screws, remove cover.

5. Make sure element o-rings seat properly into the head, making sure that the notch on the element lines up with the notch in the head.
6. Inspect the cover o-ring and replace if necessary.
7. Relocate the cover and tighten hex head screws until they are snug. Do not over-torque these screws (Max torque is shown in maintenance leaflet). Do not interchange the inlet filter cover with the outlet filter cover. (The inlet filter has a "RFP" prefix, the outlet filter has a "ILP" prefix).
8. Contact the HFD service department at 419-644-0259 regarding IPD calibration.
9. IPD removal: remove oil lines from the IPD at the two fittings closest to the IPD. Disconnect the two cables from the IPD. Remove IPD from cart via two screws. The cart can be used without the IPD as long as the sample hoses are removed from the System 20. Protect sampling connectors from contamination.

## Trouble Shooting

Problem	Cause	Solution
Does not start	ON/OFF Switch No electrical power Defective motor	Turn switch ON, replace switch if defective Plug in cart Contact service department
No oil flow or erratic pump noise	Filter housing not filled with oil Suction leak  Defective pump	Allow pump to run 30 to 60 seconds Check tightness of inlet fittings Check o-ring in inlet filter cover for nicks Kink or restriction in inlet hose Add 1 or 2 quarts of oil to inlet filter Contact service department
Indicator reads CHANGE or BYPASS	Element dirty Oil extremely cold or viscous	Replace or clean elements (both filters) Change element to coarser micron rating
Indicator does not seem to move	No outlet element 40 micron element installed in outlet filter	Install element Check cart model number to verify correct element. The inlet filter has a rating RFP prefix; the outlet filter has an ILP prefix

# Filter Trolley Parts



Note: Item 14 - the Cord Reel is an option. Consult Parker Filtration

Item No.	Description	Qty
1	Frame	1
1	Frame (SmartCart)	1
2	Pipe Reducer Fitting	1
3	Tube Fitting	1
4	Suction Tube Assy.	1
5	Adapter Fitting	1
6	Pump	1
7	Adapter Fitting	1
8	Wheel	2
9	Axle	1
10	Motor 10MFP	1
10	Motor 5MFP	1
11	Discharge Tube Assy.	1
12	Discharge Tube Top (SmartCart)	1
	Discharge Tube Bottom (SmartCart)	1
	System 20 (SmartCart)	1
	System 20 Fitting 1 (SmartCart)	2
	1System 20 Fitting 2 (SmartCart)	2

Item No.	Description	Qty
13	Tube Fitting	1
14	Cord Reel	1
15	Inlet Filter – Nitrile	1
15	Inlet Filter – Fluorocarbon	1
16	Tube Wand Assy. – Seal Option B	2
17	Outlet Filter – Nitrile	1
17	Outlet Filter – Fluorocarbon	1
18	Hose Assy. – Seal Option B	2
19	Handle Grip	2
20	Element, (1) Inlet & (1) Outlet	2
21	Icount PD (SmartCart)	1
	Icount Cable (SmartCart)	1
	Icount Hoses (SmartCart)	2
	Icount Fitting 1(SmartCart)	2
	Icount Fitting 2 (SmartCart)	2

Note: For information on replacement parts, consult Parker Filtration

# Ordering Information

## Standard Products Table

Part Number	Supersedes	Model	Motor Option	Inlet Element	Outlet Element	Plug Type	Replacement Elements	
							Inlet	Outlet
10MFP140SA10Q1UK	10MF140SA10Q1UK	10MFP	1*	40SA	10Q	UK	940802	937399Q
10MFP140SA10Q1EUR	10MF140SA10Q1EUR	10MFP	1*	40SA	10Q	EUR	940802	937399Q
10MFP240SA10Q1IND	10MF240SA10Q1IND	10MFP	2*	40SA	10Q	IND**	940802	937399Q

Note 1: Motor Options\* Option 1 = 220/240 VAC. Option 2 = 110 VAC.

Note 2: Plug Type\*\* IND = Industrial 110 VAC UK Option

### 10MFP Replacement Elements

10MFP Replacement Inlet Elements				
Part Number	Micron Rating (c)	Media Type	Seal Type	Integral Bypass
940971Q	20	Microglass III	Nitrile	0.2 Bar
<b>940802</b>	40	Synthetic	Nitrile	0.2 Bar
940803	40	Stainless Steel	Nitrile	0.2 Bar

10MFP Replacement Outlet Elements				
Part Number	Micron Rating (c)	Media Type	Seal Type	Integral Bypass
937397Q	4.5	Microglass III	Nitrile	2.4 Bar
937398Q	6	Microglass III	Nitrile	2.4 Bar
<b>937399Q</b>	10	Microglass III	Nitrile	2.4 Bar
937400Q	20	Microglass III	Nitrile	2.4 Bar
940734	WR	Water Removal	Nitrile	2.4 Bar

Note 1: Part numbers featured with bold highlighted codes will ensure a 'Standard' product selection

Note 2: Alternate displayed part number selection will require you to contact Parker Filtration for availability

**Note: the following elements are for the 10MF Filtration Trolley (which the 10MFP is replacing)**

### 10MF Replacement Elements

10MF Replacement Inlet Elements			
Part Number	Micron Rating (c)	Media Type	Seal Type
<b>924448</b>	40	Synthetic	Nitrile
G02525Q	20	Microglass III	Nitrile
G00968	40	Stainless Steel	Nitrile
G00967	74	Stainless Steel	Nitrile

10MF Replacement Inlet Elements			
Part Number	Micron Rating (c)	Media Type	Seal Type
<b>G00973Q</b>	10	Microglass III	Nitrile
G04687Q	4.5	Microglass III	Nitrile
G00974Q	6	Microglass III	Nitrile
G02525Q	20	Microglass III	Nitrile
927584	WR	Water Removal	Nitrile

Note 1: Part numbers featured with bold highlighted codes will ensure a 'Standard' product selection

Note 2: Alternate displayed part number selection will require you to contact Parker Filtration for availability



# PVS Series - Models 185, 600, 1200, 1800 and 2700

## Portable Purification Systems



### Reduce the catastrophic results of water contamination

#### Eliminate water from the hydraulic system

The PVS Series Portable Purification Systems, available in several models, is used to draw water contaminated fluid out of a system, remove the water content and return the 'clean' fluid to the reservoir. Maximum flow 170 l/min (PVS2700). Reduce the catastrophic results of water contamination.



### Contact Information:

Parker Hannifin  
**Hydraulic Filter Division Europe**

**European Product Information Centre**  
Freephone: 00800 27 27 5374  
(from AT, BE, CH, CZ, DE, EE, ES, FI, FR, IE, IT, PT, SE, SK, UK)  
filtrationinfo@parker.com

[www.parkerhfde.com](http://www.parkerhfde.com)

### Product Features:

- PVS draws water contaminated fluid out of a system.
- Removes water, air and particulate content and returns the 'clean' fluid to the reservoir.
- Maximum flow 170 l/min (PSV2700).
- Reduce the catastrophic results of water contamination.

# PVS Series

## Portable Purification Systems

### Effects of Water Contamination

Water is one of the most common and destructive contaminants in a fluid system. When water contaminates a system, it can cause serious problems such as:

- Corrosion by etching metal
- Fluid breakdown, reduction of lubricating properties, additive precipitation, and oil oxidation
- Reduced dielectric strength
- Abrasive wear in hydraulic components

Typical saturation points		
Fluid type	PPM	%
Hydraulic fluid	300	.03%
Lubrication fluid	400	.04%
Transformer fluid	50	.005%

Free water occurs when oil becomes saturated and cannot hold any more water. This water is usually seen as cloudy oil or puddles of water at the bottom of an oil reservoir. Water which is absorbed into the oil is called dissolved water. At higher temperatures, oil has the ability to hold more water in the dissolved stage due to the expansion of oil molecules. As the oil cools, this ability reverses and free water will appear where not visible before. In addition to temperature, fluid type also determines the saturation point for your system (see chart above).

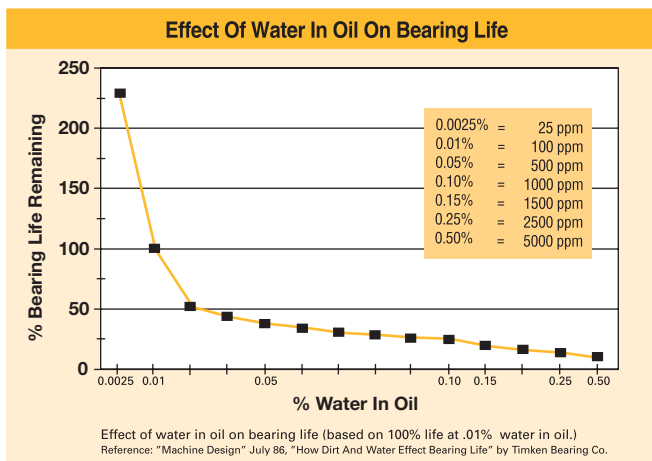
### Principles of Operation

Contaminated oil is drawn into the Parker portable purification system by a vacuum of 25 In/Hg. The oil passes through the in-line low watt density heater/s where the oil is heated to an optimum temperature of 66°C (150°F).

The oil then enters the distillation column where it is exposed to the vacuum through the use of dedicated dispersal elements. This increases the exposed surface area of the oil and converts the water to a vapor form, which is then drawn through the condenser by the vacuum pump. The vapour returns to water and drops into the condensate holding tank - this can then be drained off at a later stage.

The water-free oil falls to the bottom of the vacuum chamber and is passed through a final particulate removal filter by a heavy duty lube oil pump.

Clean dry oil re-enters the reservoir/system via the outlet port.



## Applications for PVS Portable Purification Systems

- **Paper mills**

- Dryer lubrication
- Hydraulic
- Compressor lubrication
- Calenders

- **Steel mills**

- Bearing lubrication
- Continuous casters
- Press roll lubrication

- **Power generation**

- Turbine oil
- Transformer oil
- EHC systems

- **Industrial/aerospace**

- Test stands
- Machine tools



Features	Advantages	Benefits
Variable flow circuit	Allows oil to heat to required temperature quickly	Starts removing water quickly
Moisture sensor	Real-time water content indication	Indicates when safe water content level is obtained
Condensate holding tank	Captures removed water/solvents Large enough to provide long service interval	Eliminate potential hazard of exhausting to atmosphere Reduced maintenance costs
Compact size	Smallest envelope in the industry Ease of portability	Fits through doorways and down narrow aisles Increased use
Forklift guides Lifting eyes	Provides safe and secure method to lift unit	Employee safety Easily transported
Programmable thermostat	Maintains oil within 1°C Prevents overheating oil	Unattended operation Increases oil life
Automatic operation	Unattended use	Reduced labour costs Increased running time
Reverse pole switch/phase fail	Change motor rotation for different power source locations	Flexibility, less maintenance Prevents incorrect rotation
High temperature safety circuit	Shuts down heater if primary contactors fail Oil can never exceed 120°C (250°F)	Prevents system damage Worker safety
Circuit breakers utilised in electrical panel	No fuses to replace Simple diagnostics	Fewer spare parts, increased uptime Reduced maintenance
Available with EPR seals and stainless steel	Phosphate ester compatible	Specifically designed for application
Solid state heater contactor	Longer more reliable service life	Reduced downtime

# PVS Series

## Portable Purification Systems

Potential contaminant	PVS performance
Solid particulate	ISO cleanliness code* 14/13/10 attainable
Water	Removes 100% of free water, 80-90% of dissolved water.
Air	Removes 100% of free air, 90% of dissolved air.
Gases	Removes 100% of free gases, 90% of dissolved gases.

\* When utilising 2Q media

### PVS (Vacuum dehydration) compared to other technologies

**Centrifuge units** – Removes free water only; has difficulty breaking stable emulsions; larger envelope dimensions but lower flows; higher initial and operating costs.

**Desiccant units** – Have limited water removal capability due to absorbing material; only removes air ingressed particles; expensive compared to the volume of water removed.

**Coalescer units** – Removes free water only; has difficulty breaking stable emulsions; does not work well in viscous fluids (>23cSt); much larger in size compared to PVS.

### Typical Performance

Tank size	227 litres (50 gallons)
Run time	62 minutes
Parker model	PVS 600 (37.9 l/min)
Water content (ppm)	Start: 10,000 PPM (1.0%) Stop: 50 PPM(0.005%)
Contamination level	Start: ISO 21/18/16 Stop: ISO 16/14/11

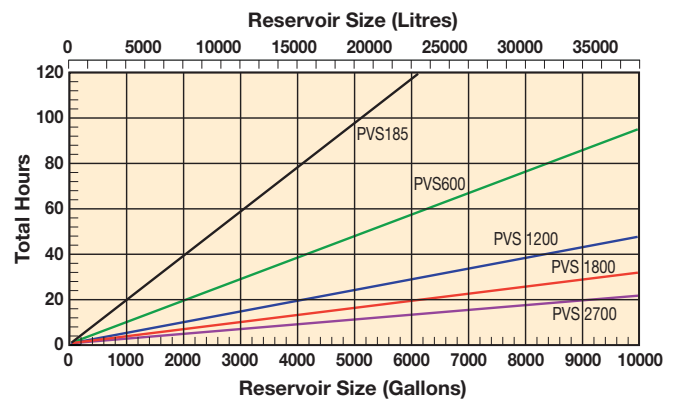


Start



Stop

### Estimated Water Removal Time 5000 ppm (0.5%) to 150 ppm (0.015%)





# PVS 185

## Portable Purification Systems

### Specification

**Flow rate:**  
19 lpm (4.2 gpm).

**Height:**  
1651mm (65").

**Width:**  
825.5mm (32.5").

**Length:**  
1206.5mm (47.5").

**Weight:**  
294.8 kg (650 lbs).

**Seal material:**  
Fluorocarbon (EPR opt.).

**Condensate tank:**  
15.5 ltrs (3.4 gals).

**Dispersal elements:**  
1.

**Minimum operating capacity:**  
18.9 ltrs (4.2 gals).

**Vacuum (max):**  
25 In/Hg.

**Viscosity (max):**  
108 cSt (500sus) – disposable.  
460 cSt (2150 sus) – packed tower.

**Outlet pressure (max):**  
4.1 bar (60 psi).

**Ports:**  
3/4" JIC (male) inlet.  
3/4" JIC (male) outlet.

**FLA (full load amps):**  
15-41 amps.  
(Depending on voltage used).



### Replacement elements

#### Standard Coreless Particulate 80CN-2

2QE	(2 micron)	936716Q
5QE	(5 micron)	936717Q
10QE	(10 micron)	936718Q
20QE	(20 micron)	936719Q

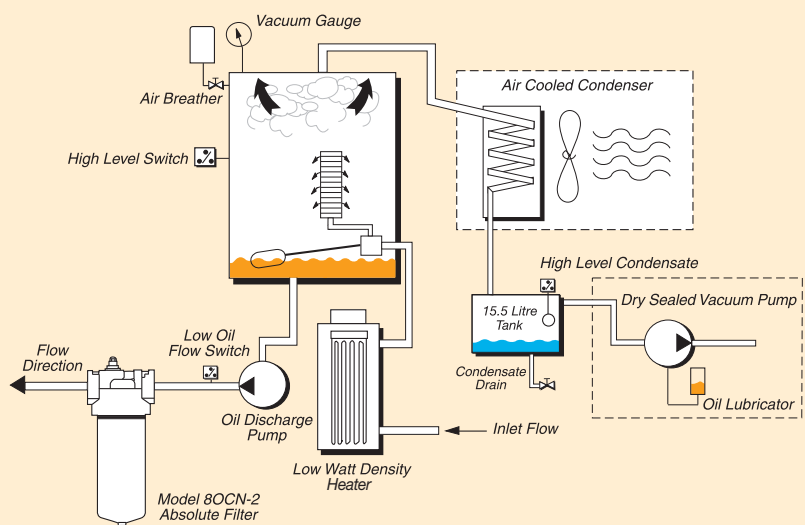
#### Option Coreless Particulate IL8-3

2QE	(2 micron)	933734Q
5QE	(5 micron)	933612Q
10QE	(10 micron)	933735Q
20QE	(20 micron)	933736Q

#### Coreless

Disposable (Coalescing)	933180
Packed tower (Cleanable)	933553

### PVS 185 flow diagram



# PVS 600

## Portable Purification Systems

### Specification

**Flow rate:**

38 lpm (8.3 gpm).

**Height:**

1638.3mm (64.5").

**Width:**

1117.6mm (44").

**Length:**

1549.4mm (61").

**Weight:**

408.2 kg (900 lbs).

**Seal material:**

Fluorocarbon (EPR opt.).

**Condensate tank:**

15.5 ltrs (3.4 gals).

**Dispersal elements:**

2.

**Minimum operating capacity:**

22.7 ltrs (5.0 gals).

**Vacuum (max):**

25 In/Hg.

**Viscosity (max):**

108 cSt (500sus) – disposable.

460 cSt (2150 sus) – packed tower.

**Outlet pressure (max):**

4.1 bar (60 psi).

**Ports:**

1" JIC (male) inlet.

1" JIC (male) outlet.

**FLA (full load amps):**

24-38 amps.

(Depending on options & voltages).



### Replacement elements

#### Standard Coreless Particulate 80CN-2

2QE	(2 micron)	936716Q
5QE	(5 micron)	936717Q
10QE	(10 micron)	936718Q
20QE	(20 micron)	936719Q

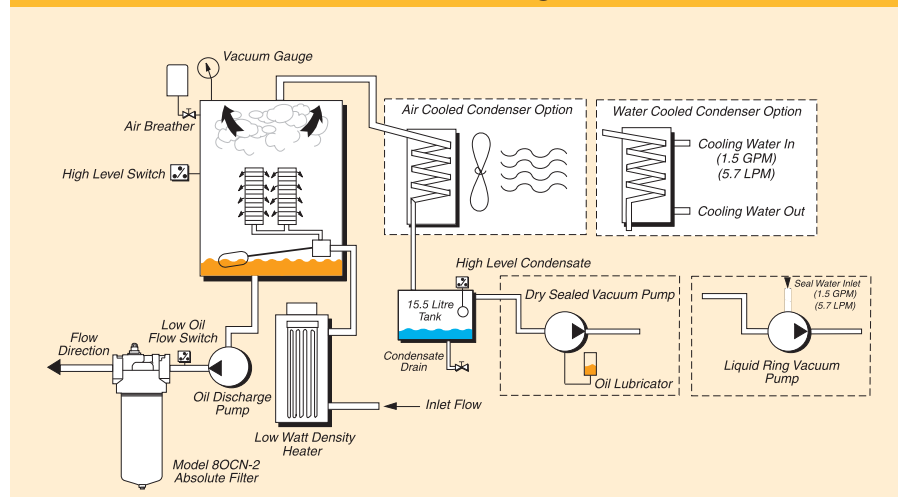
#### Option Coreless Particulate IL8-3

2QE	(2 micron)	933734Q
5QE	(5 micron)	933612Q
10QE	(10 micron)	933735Q
20QE	(20 micron)	933736Q

#### Coreless

Disposable (Coalescing)	933180
Packed tower (Cleanable)	933553

### PVS 600 flow diagram



# PVS 1200

## Portable Purification Systems

### Specification

**Flow rate:**  
76 lpm (16.7 gpm).

**Height:**  
1651mm (65").

**Width:**  
1117.6mm (44").

**Length:**  
1549.4mm (61").

**Weight:**  
703.1 kg (1550 lbs).

**Seal material:**  
Fluorocarbon (EPR opt.).

**Condensate tank:**  
31.4 ltrs (6.9 gals).

**Dispersal elements:**  
4.

**Minimum operating capacity:**  
41.6 ltrs (9.1 gals).

**Vacuum (max):**  
25 In/Hg.

**Viscosity (max):**  
108 cSt (500sus) – disposable.  
460 cSt (2150 sus) – packed tower.

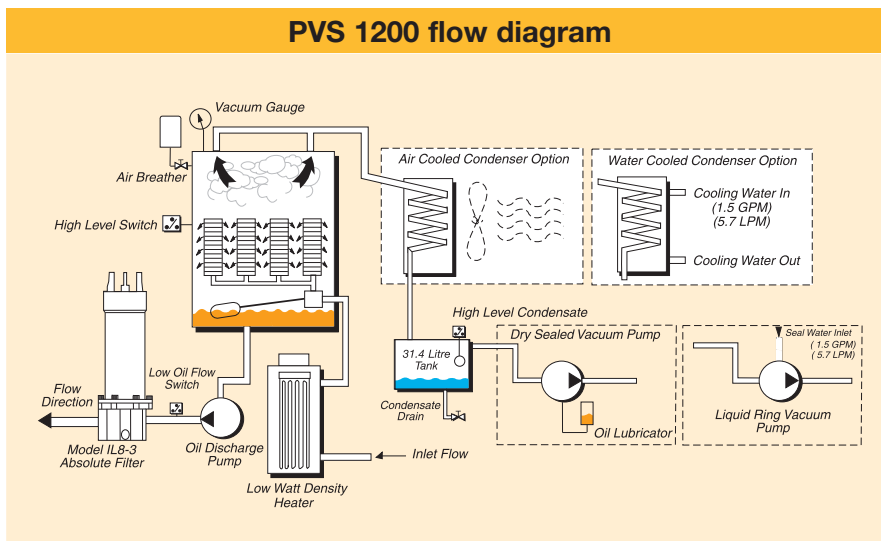
**Outlet pressure (max):**  
4.1 bar (60 psi).

**Ports:**  
1 1/2" NPTF inlet.  
1" JIC (male) outlet.

**FLA (full load amps):**  
30-48 amps.  
(Depending on options & voltages).



Replacement elements	
Dispersal	
Disposable (coalescing)	933180
Packed tower (cleanable)	933553
Coreless IL8-3	
02QE	933734Q
05QE	933612Q
10QE	933735Q
20QE	933736Q





# PVS 2700

## Portable Purification Systems

### Specification

**Flow rate:**  
170 lpm (37.4 gpm).

**Height:**  
1651mm (65").

**Width:**  
1066.8mm (42").

**Length:**  
1943.1mm (76.5").

**Weight:**  
1156.7 kg (2550 lbs).

**Seal material:**  
Fluorocarbon (EPR opt.).

**Condensate tank:**  
31.4 ltrs (6.9 gals).

**Dispersal elements:**  
8.

**Minimum operating capacity:**  
68.1 ltrs (14.98 gals).

**Vacuum (max):**  
25 In/Hg.

**Viscosity (max):**  
108 cSt (500sus) – disposable.  
460 cSt (2150 sus) – packed tower.

**Outlet pressure (max):**  
4.1 bar (60 psi).

**Ports:**  
3" NPTF inlet.  
2" NPTF outlet.

**FLA (full load amps):**  
50-70 amps @ 460 V/60hz.



Replacement elements	
Dispersal	
Disposable (coalescing)	933180
Packed tower (cleanable)	933553
Coreless IL8-3	
02QE	933734Q
05QE	933612Q
10QE	933735Q
20QE	933736Q

### PVS Specification Worksheet - Section 2

10. Water supply temperature: (liquid ring model)

Min .....°F/°C

Max .....°F/°C

Normal.....°F/°C

11. Operating environment above/below sea level: ..... Ft./metres

12. Voltage Options: 230Vac, 3p, 60Hz (185,600)

380Vac, 3p, 50Hz (185,600,1200,1800,2700)

460Vac,3p,60Hz (185,600,1200,1800,2700)

575vac, 3p 60Hz (185,600,1200,1800,2700)

13. Available amperage:.....

14. System volume: .....

15. Special requirements: .....

16. Any previous filtration problems with application: .....

17. PVS model selected: .....

**Specification sheet must be completed before order can be entered**

# PVS Range

## Portable Purification Systems

### Ordering Information

#### Product configurator

Select the desired symbol (in the correct position) to construct a model code.

Box 1	Box 2	Box 3	Box 4	Box 5	Box 6	Box 7	Box 8	Box 9	Box 10	Box 11
-	PVS	600	460	DS	D	5Q	-	12	AC	DFL

Box 1

Seals	
Description	Code
Fluorocarbon	None
EPR	E8

Box 2

Basic assembly	
Description	Code
Portable Purification System	PVS

Box 3

Flow rate	
Description	Code
19 lpm (4.2 gpm)	185
38 lpm (8.3 gpm)	600
76 lpm (16.7 gpm)	1200
	1800
	2700

Box 4

Power supply		
Model	Description	Code
185	380VAC, 3P, 50HZ	380
	460VAC, 3P, 60HZ	460
	575VAC, 3P, 60HZ	550
600	380VAC, 3P, 50HZ	380
	460VAC, 3P, 60HZ	460
	550VAC, 3P, 60HZ	550
1200	380VAC, 3P, 50HZ	380
	460VAC, 3P, 60HZ	460
	550VAC, 3P, 60HZ	550
1800	380VAC, 3P, 50HZ	380
	460VAC, 3P, 60HZ	460
	550VAC, 3P, 60HZ	550
2700	380VAC, 3P, 50HZ	380
	460VAC, 3P, 60HZ	460
	550VAC, 3P, 60HZ	550

Box 5

Vacuum pump	
Pressure setting	Code
Dry sealed	DS
Liquid ring	LR

Box 6

Dispersal element	
Description	Code
Disposable (coalescing)	D
Packed tower (cleanable – for use with viscous or highly contaminated fluids)	P

Box 7

Particulate element µm (c)	
Description	Code
4 micron Microglass III	2Q
6 micron Microglass III	5Q
10 micron Microglass III	10Q
20 micron Microglass III	20Q

Note: Above elements are rated for Beta 200+ (99.5% efficiency)

Box 8

Filter housing	
Description	Code
80CN-2	None
IL8 (39") Ecoglass III upgrade	E

Note: IL8 option is available on 185 and 600 models, and is standard on 1200 models and larger

Box 9

Heater		
Model	Description	Code
185	12 KW (3 phase)	12
600	12 KW	12
	24 KW	24
1200	24 KW	24
1800	36 KW	36
2700	48 KW	48

Box 10

Condenser	
Description	Code
Air cooled	
Liquid cooled	

Box 11

Options	
Description	Code
Pneumatic wheels	PW
Auto condensate drain	ACD
Dirty filter light	DFL
Resetable hour meter	RHM
Sight flow indicator	SFI
Inlet control valve	ICV
CE marked	CE
CSA marked	CSA
Explosion proof	EXP

(Class I, Division II, Zone I and II)

Note: For the icountPD option consult Parker Filtration

Note 1: Contact parker for part number profile availability



# PAR◇FIT™

Hydraulic and Lubrication  
Interchangeable Element Range



## Over 30,000 reasons to choose PAR◇FIT™

### Quality interchange elements with a proven record

The Parfit range offers end users, maintenance engineers and manufacturers a range of over 30,000 Parker Parfit quality interchangeable elements using Microglass III and Ecoglass III media. Reduce stockholding, cut costs and ensure reliable and quality filter performance.



## Contact Information:

Parker Hannifin  
**Hydraulic Filter Division Europe**

**European Product  
Information Centre**  
Freephone: 00800 27 27 5374  
(from AT, BE, CH, CZ, DE, EE, ES,  
FI, FR, IE, IT, PT, SE, SK, UK)  
filtrationinfo@parker.com

www.parkerhfde.com

## Product Features:

- **PAR◇FIT™** elements are manufactured to the same exacting standards as Parker original elements using Microglass III and Ecoglass III media.
- Quality backed by Parker's unrivalled technical resources.
- Reduce stockholding and costs by sourcing all your replacement elements from Parker.
- Interchange elements for Pall, Hydac, Mahle, Internormen, MP Filtri, Donaldson and over 300 more manufacturers.
- Cross reference information available for over 30,000 part numbers.

## Hydraulic and Lubrication Interchangeable Element Range

### Specification

Features	Advantages	Benefits
Microglass III replacement elements	Multi-layered design producing high dirt holding capacity and high efficiency	Great performance value
	Wire support reduces pleat bunching and keeps performance consistent	Reliable performance throughout element life
		Reduces downtime and maximizes element life
Coreless Ecoglass III replacement elements	No metal content in element	Environmentally friendly disposal by incineration
	Overall weight reduced by 50%	Lower element replacement costs
	Easy compaction of used elements	Lower disposal costs
	Eco adapters available	Retrofit coreless design to housings already installed
Complete performance data disclosure	All pertinent information is provided in an easy to compare format	No hidden deficiencies
		Easy selection of correct interchange part number
Elements manufactured to exacting standards of original elements	Performance guarantee as good if not better than original fit	Durable, rugged and reliable construction with high quality standards

### Typical Applications

- Industrial power units
- Mobile construction equipment
- Forestry equipment
- Marine power plants
- Agricultural equipment
- Lorry mounted cranes
- Waste management trucks
- Wheeled loaders
- Lift trucks

### There's only one solution

When it comes to replacement hydraulic and marine filter elements there is only one solution: The **PAR◇FIT™** interchangeable range.

With over 20,000 stocked, off the shelf variations, there's a **PAR◇FIT™** element to fit most sizes and makes of filters on mobile, construction, agricultural and industrial plant.

Every **PAR◇FIT™** element is manufactured in Europe to the highest standards and is backed by our unrivalled technical support and money back guarantees.

That means that you can reduce stockholdings, cut costs and be sure of the ultimate performance, with long, trouble free operating life.

**PAR◇FIT™** filters are available from ParkerStores and authorised distributors throughout Europe.

[www.parker.com/parfit](http://www.parker.com/parfit)  
[www.parkerhfd.com/parfit](http://www.parkerhfd.com/parfit)

### Hydac interchange element range

- The latest interchange elements range added are for the latest Hydac "R" type elements.
- Replacement sizes available are for Hydac: 0030, 0060, 0075, 0110, 0160, 0165, 0240, 0330 0500, 0660, 0850, 0950, 1300, 1700 and 2600.
- Featuring Fluroelastomer seals as standard for optimum performance.
- Top and bottom end caps manufactured from glass reinforced nylon.
- Top end cap includes integrated bypass assembly.
- Bottom end cap features a bayonet locking lug for use with the re-useable contamination retainer (Not supplied).
- Elements are suitable for use with the following Hydac housings: RD, RFD, RFM, RFL, RFLD, NF, NFD and oil service units as well as many OEM applications.



## Hydraulic and Lubrication Interchangeable Element Range



### Part Numbers

Note: Bold and darker tint panel indicates the item is standard and available to order immediately.

Filter Element Competitor	Filter Element Competitor Part Number	Parker Part Number
Argo	Replaces P2.0620-51	PR4474
Argo	Replaces P2.0923-01	PR4473
Argo	Replaces P2.0933-01	PR4461
<b>Argo</b>	<b>Replaces P2.1217-12</b>	<b>PR4465</b>
<b>Argo</b>	<b>Replaces P2.1217-21</b>	<b>PR4466</b>
<b>Argo</b>	<b>Replaces P3.0510-00</b>	<b>PR4469</b>
<b>Argo</b>	<b>Replaces P3.0510-02</b>	<b>PR4475</b>
Argo	Replaces P3.0920-11	PR4464
<b>Argo</b>	<b>Replaces V2.1217-03</b>	<b>938194Q</b>
<b>Argo</b>	<b>Replaces V2.1217-08</b>	<b>PR4467</b>
<b>Argo</b>	<b>Replaces V2.1217-36</b>	<b>PR4468</b>
Argo	Replaces V3.0510-03	944074Q
Argo	Replaces V3.0510-06	944075Q
Argo	Replaces V3.0510-08	944076Q
<b>Argo</b>	<b>Replaces V3.0520-08</b>	<b>PR4476</b>
<b>Argo</b>	<b>Replaces V3.0607-06</b>	<b>PR4471</b>
<b>Argo</b>	<b>Replaces V3.0607-08</b>	<b>PR4472</b>
Argo	Replaces V3.0723-08	944097Q
Argo	Replaces V3.0933-08	944098Q
Donaldson	Replaces P163322	944012Q
Donaldson	Replaces P163323	944013Q
Donaldson	Replaces P163324	944014Q
Donaldson	Replaces P163405	944015Q
Donaldson	Replaces P163419	944016Q
Donaldson	Replaces P163496	944017Q
Donaldson	Replaces P164375	944022Q
Donaldson	Replaces P164378	944023Q
Donaldson	Replaces P164381	944024Q
Donaldson	Replaces P164384	944025Q
Donaldson	Replaces P164996	924732
Donaldson	Replaces P165104	924493
Donaldson	Replaces P165106	924489
Donaldson	Replaces P165114	924735
Donaldson	Replaces P165332	944027Q
Donaldson	Replaces P165335	944028Q
Donaldson	Replaces P165338	944029Q
Donaldson	Replaces P165354	944030Q
Donaldson	Replaces P165569	944035Q
Donaldson	Replaces P165659	944036Q
Donaldson	Replaces P165672	944037Q
Donaldson	Replaces P165675	944038Q
Donaldson	Replaces P165705	944039Q
Donaldson	Replaces P165786-24	922787
Donaldson	Replaces P165879	926170
Donaldson	Replaces P166204	908649
Donaldson	Replaces P169430	926541
Donaldson	Replaces P169553	924451
Donaldson	Replaces P169554	924449
Donaldson	Replaces P169555	924450
Donaldson	Replaces P169556	924452
Donaldson	Replaces P169558	924793
Donaldson	Replaces P169559	924791
Donaldson	Replaces P169560	924792
Donaldson	Replaces P170061	924467
Donaldson	Replaces P170063	908648
Donaldson	Replaces P170065	922625
Donaldson	Replaces P170066	922624

Filter Element Competitor	Filter Element Competitor Part Number	Parker Part Number
Donaldson	Replaces P170090	926372
Donaldson	Replaces P170092	926326
Donaldson	Replaces P170094	926327
Donaldson	Replaces P170095	907233
Donaldson	Replaces P170096	907234
Donaldson	Replaces P170098	924588
Donaldson	Replaces P170099	932635Q
Donaldson	Replaces P170481	930226
Donaldson	Replaces P170906	944040Q
Donaldson	Replaces P171273	944042Q
Donaldson	Replaces P171274	944043Q
Donaldson	Replaces P171275	944044Q
Donaldson	Replaces P171276	944045Q
Donaldson	Replaces P173616	909297
Donaldson	Replaces P176565	944032Q
Donaldson	Replaces P176566	944033Q
Donaldson	Replaces P176567	944047Q
Donaldson	Replaces P550251	927736
Donaldson	Replaces P551551	921999
Donaldson	Replaces P551553	925023
Donaldson	Replaces P556005	934476
Donaldson	Replaces SP0715	943999Q
Eaton Vickers	Replaces 737842	930091
Eaton Vickers	Replaces 737846	930110
Eaton Vickers	Replaces V3045B1H10	933576Q
Eaton Vickers	Replaces V3045V1H03	933577Q
Eaton Vickers	Replaces V3045V2H03	933578Q
Eaton Vickers	Replaces V3045V2H05	932620Q
Eaton Vickers	Replaces V3045V2H10	933579Q
Eaton Vickers	Replaces V30PV1C03	932622Q
Eaton Vickers	Replaces V30PV1C05	932623Q
Eaton Vickers	Replaces V30PV1C10	932624Q
Eaton Vickers	Replaces V30PV1C20	933135Q
Eaton Vickers	Replaces V30PV1H03	932625Q
Eaton Vickers	Replaces V30PV1H03	933580Q
Eaton Vickers	Replaces V30PV1H05	932626Q
Eaton Vickers	Replaces V30PV1H10	932627Q
Eaton Vickers	Replaces V30PV1H10	933581Q
Eaton Vickers	Replaces V30PV2C03	932628Q
Eaton Vickers	Replaces V30PV2C05	932629Q
Eaton Vickers	Replaces V30PV2C10	932630Q
Eaton Vickers	Replaces V30PV2C20	933136Q
Eaton Vickers	Replaces V30PV2H03	932631Q
Eaton Vickers	Replaces V30PV2H03	933582Q
Eaton Vickers	Replaces V30PV2H05	932632Q
Eaton Vickers	Replaces V30PV2H10	932633Q
Eaton Vickers	Replaces V30PV2H10	933583Q
Eaton Vickers	Replaces VCF2B1C05	924452Q
Eaton Vickers	Replaces VCF2B1C10	924453Q
Eaton Vickers	Replaces VCF2B2C10	934265Q
Eaton Vickers	Replaces VCF2V1C05	925039Q
Eaton Vickers	Replaces VCF2V1C10	925040Q
Eaton Vickers	Replaces VCF2V2C05	935534Q
Eaton Vickers	Replaces VCF2V2C10	935535Q
Eaton Vickers	Replaces VRF2B1C03	932686Q
Eaton Vickers	Replaces VRF2B1C05	932687Q
Eaton Vickers	Replaces VRF2B1C10	932688Q

## Hydraulic and Lubrication Interchangeable Element Range

### Part Numbers

Note: Bold and darker tint panel indicates the item is standard and available to order immediately.

Filter Element Competitor	Filter Element Competitor Part Number	Parker Part Number
Eaton Vickers	Replaces VRF2B1C20	933116Q
Eaton Vickers	Replaces VRF2B2C03	932692Q
Eaton Vickers	Replaces VRF2B2C05	932693Q
Eaton Vickers	Replaces VRF2B2C10	932694Q
Eaton Vickers	Replaces VRF2B2C20	933117Q
Eaton Vickers	Replaces VRF2V1C03	932689Q
Eaton Vickers	Replaces VRF2V1C05	932690Q
Eaton Vickers	Replaces VRF2V1C10	932691Q
Eaton Vickers	Replaces VRF2V1C20	933118Q
Eaton Vickers	Replaces VRF2V2C03	932695Q
Eaton Vickers	Replaces VRF2V2C05	932696Q
Eaton Vickers	Replaces VRF2V2C10	932697Q
Eaton Vickers	Replaces VRF2V2C20	933119Q
Eppensteiner	Replaces 1.0145 H6SL-A-000-P	936789Q
Eppensteiner	Replaces 1.561 H3SL-C-000-P(S)	936736Q
Eppensteiner	Replaces 1.561 H6SL-A-000-P	936869Q
Eppensteiner	Replaces 1.561 H6SL-C-000-P	936816Q
Eppensteiner	Replaces 1-0145 H3SL-A-000-P	936737Q
Eppensteiner	Replaces 2.0030 H6SL-A-000-P	938155Q
Eppensteiner	Replaces 2.0030 H6SL-B00-0-P	936784Q
Eppensteiner	Replaces 2.140H6SL-C-000-P	936787Q
Eppensteiner	Replaces 2.22 H6SL-C-000-P	936786Q
Eppensteiner	Replaces 2.56G2525-C-000-PS	936785Q
Eppensteiner	Replaces 9.05242 P25-S00-0-PX	944090Q
Filtration Products Corp	Replaces FPL1270B05G	935202
Filtration Products Corp	Replaces FPL1370B05G	935210
Filtration Products Corp	Replaces FPL2270B05G	935206
Filtration Products Corp	Replaces FPL2370B05G	935214
Fleetguard	Replaces HF7808	982131
Fleetguard	Replaces HF7809	983061
Hydac	Replaces 0015D010BN4HC	938156Q
<b>Hydac</b>	<b>Replaces 0030D003BH4HC</b>	<b>PR3035Q</b>
<b>Hydac</b>	<b>Replaces 0030D003BN4HC</b>	<b>PR3031Q</b>
<b>Hydac</b>	<b>Replaces 0030D005BH4HC</b>	<b>PR3036Q</b>
<b>Hydac</b>	<b>Replaces 0030D005BN4HC</b>	<b>PR3032Q</b>
<b>Hydac</b>	<b>Replaces 0030D010BH4HC</b>	<b>PR3037Q</b>
<b>Hydac</b>	<b>Replaces 0030D010BN4HC</b>	<b>PR3033Q</b>
<b>Hydac</b>	<b>Replaces 0030D020BH4HC</b>	<b>PR3038Q</b>
<b>Hydac</b>	<b>Replaces 0030D020BN4HC</b>	<b>PR3034Q</b>
<b>Hydac</b>	<b>Replaces 0030D025W</b>	<b>939159Q</b>
<b>Hydac</b>	<b>Replaces 0030R003BN4HC</b>	<b>938253Q</b>
<b>Hydac</b>	<b>Replaces 0030R005BN4HC</b>	<b>938254Q</b>
<b>Hydac</b>	<b>Replaces 0030R010BN4HC</b>	<b>938255Q</b>
<b>Hydac</b>	<b>Replaces 0030R020BN4HC</b>	<b>938256Q</b>
<b>Hydac</b>	<b>Replaces 0035D020BN4HC</b>	<b>937058Q</b>
<b>Hydac</b>	<b>Replaces 0060D003BH4HC</b>	<b>PR3064Q</b>
<b>Hydac</b>	<b>Replaces 0060D003BN4HC</b>	<b>PR3056Q</b>
<b>Hydac</b>	<b>Replaces 0060D005BH4HC</b>	<b>PR3065Q</b>
<b>Hydac</b>	<b>Replaces 0060D005BN4HC</b>	<b>PR3057Q</b>
<b>Hydac</b>	<b>Replaces 0060D010BH4HC</b>	<b>PR3066Q</b>
<b>Hydac</b>	<b>Replaces 0060D010BN4HC</b>	<b>PR3058Q</b>
<b>Hydac</b>	<b>Replaces 0060D020BH4HC</b>	<b>PR3067Q</b>
<b>Hydac</b>	<b>Replaces 0060D020BN4HC</b>	<b>PR3059Q</b>
<b>Hydac</b>	<b>Replaces 0060R003BN4HC</b>	<b>938257Q</b>
<b>Hydac</b>	<b>Replaces 0060R005BN4HC</b>	<b>938258Q</b>
<b>Hydac</b>	<b>Replaces 0060R010BN4HC</b>	<b>938259Q</b>
<b>Hydac</b>	<b>Replaces 0060R020BN4HC</b>	<b>938260Q</b>

Filter Element Competitor	Filter Element Competitor Part Number	Parker Part Number
<b>Hydac</b>	<b>Replaces 0075R003BN4HC</b>	<b>938261Q</b>
<b>Hydac</b>	<b>Replaces 0075R005BN4HC</b>	<b>938262Q</b>
<b>Hydac</b>	<b>Replaces 0075R010BN4HC</b>	<b>938263Q</b>
<b>Hydac</b>	<b>Replaces 0075R020BN4HC</b>	<b>938264Q</b>
Hydac	Replaces 0095D010BN4HC	938154Q
<b>Hydac</b>	<b>Replaces 0110D003BH4HC</b>	<b>PR3093Q</b>
<b>Hydac</b>	<b>Replaces 0110D003BN4HC</b>	<b>PR3085Q</b>
<b>Hydac</b>	<b>Replaces 0110D005BH4HC</b>	<b>PR3094Q</b>
<b>Hydac</b>	<b>Replaces 0110D005BN4HC</b>	<b>PR3086Q</b>
<b>Hydac</b>	<b>Replaces 0110D010BH4HC</b>	<b>PR3095Q</b>
<b>Hydac</b>	<b>Replaces 0110D010BN4HC</b>	<b>PR3087Q</b>
<b>Hydac</b>	<b>Replaces 0110D020BH4HC</b>	<b>PR3096Q</b>
<b>Hydac</b>	<b>Replaces 0110D020BN4HC</b>	<b>PR3088Q</b>
<b>Hydac</b>	<b>Replaces 0110R003BN4HC</b>	<b>938265Q</b>
<b>Hydac</b>	<b>Replaces 0110R005BN4HC</b>	<b>938266Q</b>
<b>Hydac</b>	<b>Replaces 0110R010BN4HC</b>	<b>938267Q</b>
<b>Hydac</b>	<b>Replaces 0110R020BN4HC</b>	<b>938268Q</b>
<b>Hydac</b>	<b>Replaces 0140D003BH4HC</b>	<b>937059Q</b>
<b>Hydac</b>	<b>Replaces 0140D003BN4HC</b>	<b>937060Q</b>
<b>Hydac</b>	<b>Replaces 0140D005BH4HC</b>	<b>937061Q</b>
<b>Hydac</b>	<b>Replaces 0140D005BN4HC</b>	<b>937062Q</b>
<b>Hydac</b>	<b>Replaces 0140D010BH4HC</b>	<b>937063Q</b>
<b>Hydac</b>	<b>Replaces 0140D010BN4HC</b>	<b>937064Q</b>
<b>Hydac</b>	<b>Replaces 0140D020BH4HC</b>	<b>937065Q</b>
<b>Hydac</b>	<b>Replaces 0140D020BN4HC</b>	<b>937066Q</b>
<b>Hydac</b>	<b>Replaces 0160D003BH4HC</b>	<b>PR3122Q</b>
<b>Hydac</b>	<b>Replaces 0160D003BN4HC</b>	<b>PR3114Q</b>
<b>Hydac</b>	<b>Replaces 0160D005BH4HC</b>	<b>PR3123Q</b>
<b>Hydac</b>	<b>Replaces 0160D005BN4HC</b>	<b>PR3115Q</b>
<b>Hydac</b>	<b>Replaces 0160D010BH4HC</b>	<b>PR3124Q</b>
<b>Hydac</b>	<b>Replaces 0160D010BN4HC</b>	<b>PR3116Q</b>
<b>Hydac</b>	<b>Replaces 0160D020BH4HC</b>	<b>PR3125Q</b>
<b>Hydac</b>	<b>Replaces 0160D020BN4HC</b>	<b>PR3117Q</b>
<b>Hydac</b>	<b>Replaces 0160R003BN4HC</b>	<b>938269Q</b>
<b>Hydac</b>	<b>Replaces 0160R005BN4HC</b>	<b>938270Q</b>
<b>Hydac</b>	<b>Replaces 0160R010BN4HC</b>	<b>938271Q</b>
<b>Hydac</b>	<b>Replaces 0160R020BN4HC</b>	<b>938272Q</b>
<b>Hydac</b>	<b>Replaces 0165R003BN4HC</b>	<b>938273Q</b>
<b>Hydac</b>	<b>Replaces 0165R005BN4HC</b>	<b>938274Q</b>
<b>Hydac</b>	<b>Replaces 0165R010BN4HC</b>	<b>938275Q</b>
<b>Hydac</b>	<b>Replaces 0165R020BN4HC</b>	<b>938276Q</b>
<b>Hydac</b>	<b>Replaces 0240D003BH4HC</b>	<b>PR3151Q</b>
<b>Hydac</b>	<b>Replaces 0240D003BN4HC</b>	<b>PR3143Q</b>
<b>Hydac</b>	<b>Replaces 0240D005BH4HC</b>	<b>PR3152Q</b>
<b>Hydac</b>	<b>Replaces 0240D005BN4HC</b>	<b>PR3144Q</b>
<b>Hydac</b>	<b>Replaces 0240D010BH4HC</b>	<b>PR3153Q</b>
<b>Hydac</b>	<b>Replaces 0240D010BN4HC</b>	<b>PR3145Q</b>
<b>Hydac</b>	<b>Replaces 0240D020BH4HC</b>	<b>PR3154Q</b>
<b>Hydac</b>	<b>Replaces 0240D020BN4HC</b>	<b>PR3146Q</b>
Hydac	Replaces 0240D200WHC	938195Q
<b>Hydac</b>	<b>Replaces 0240R003BN4HC</b>	<b>938277Q</b>
<b>Hydac</b>	<b>Replaces 0240R005BN4HC</b>	<b>938278Q</b>
<b>Hydac</b>	<b>Replaces 0240R010BN4HC</b>	<b>938279Q</b>
<b>Hydac</b>	<b>Replaces 0240R020BN4HC</b>	<b>938280Q</b>
<b>Hydac</b>	<b>Replaces 0330D003BH4HC</b>	<b>PR3180Q</b>
<b>Hydac</b>	<b>Replaces 0330D003BN4HC</b>	<b>PR3172Q</b>
<b>Hydac</b>	<b>Replaces 0330D005BH4HC</b>	<b>PR3181Q</b>

## Hydraulic and Lubrication Interchangeable Element Range



### Part Numbers

Note: Bold and darker tint panel indicates the item is standard and available to order immediately.

Filter Element Competitor	Filter Element Competitor Part Number	Parker Part Number
Hydac	Replaces 0330D005BN4HC	PR3173Q
Hydac	Replaces 0330D010BH4HC	PR3182Q
Hydac	Replaces 0330D010BN4HC	PR3174Q
Hydac	Replaces 0330D020BH4HC	PR3183Q
Hydac	Replaces 0330D020BN4HC	PR3175Q
Hydac	Replaces 0330R003BN4HC	938281Q
Hydac	Replaces 0330R005BN4HC	938282Q
Hydac	Replaces 0330R010BN4HC	938283Q
Hydac	Replaces 0330R020BN4HC	938284Q
Hydac	Replaces 0480D003BH4HC	937067Q
Hydac	Replaces 0480D003BN4HC	937068Q
Hydac	Replaces 0480D005BH4HC	937069Q
Hydac	Replaces 0480D005BN4HC	937070Q
Hydac	Replaces 0480D010BH4HC	937071Q
Hydac	Replaces 0480D010BN4HC	937072Q
Hydac	Replaces 0480D020BH4HC	937073Q
Hydac	Replaces 0480D020BN4HC	937074Q
Hydac	Replaces 0480R003BN4HC	944058Q
Hydac	Replaces 0480R005BN4HC	944059Q
Hydac	Replaces 0480R010BN4HC	944060Q
Hydac	Replaces 0480R020BN4HC	944061Q
Hydac	Replaces 0500D003BH4HC	937075Q
Hydac	Replaces 0500D003BN4HC	937076Q
Hydac	Replaces 0500D005BH4HC	937077Q
Hydac	Replaces 0500D005BN4HC	937078Q
Hydac	Replaces 0500D010BH4HC	937079Q
Hydac	Replaces 0500D010BN4HC	937080Q
Hydac	Replaces 0500D020BH4HC	937081Q
Hydac	Replaces 0500D020BN4HC	937082Q
Hydac	Replaces 0500R003BN4HC	938285Q
Hydac	Replaces 0500R005BN4HC	938286Q
Hydac	Replaces 0500R010BN4HC	938287Q
Hydac	Replaces 0500R020BN4HC	938288Q
Hydac	Replaces 0660D003BH4HC	PR3209Q
Hydac	Replaces 0660D003BN4HC	PR3201Q
Hydac	Replaces 0660D005BH4HC	PR3210Q
Hydac	Replaces 0660D005BN4HC	PR3202Q
Hydac	Replaces 0660D010BH4HC	PR3211Q
Hydac	Replaces 0660D010BN4HC	PR3203Q
Hydac	Replaces 0660D020BH4HC	PR3212Q
Hydac	Replaces 0660D020BN4HC	PR3204Q
Hydac	Replaces 0660R003BN4HC	938289Q
Hydac	Replaces 0660R005BN4HC	938290Q
Hydac	Replaces 0660R010BN4HC	938291Q
Hydac	Replaces 0660R020BN4HC	938292Q
Hydac	Replaces 0850R003BN4HC	938293Q
Hydac	Replaces 0850R005BN4HC	938294Q
Hydac	Replaces 0850R010BN4HC	938295Q
Hydac	Replaces 0850R020BN4HC	938296Q
Hydac	Replaces 0950R003BN4HC	938297Q
Hydac	Replaces 0950R005BN4HC	938298Q
Hydac	Replaces 0950R010BN4HC	938299Q
Hydac	Replaces 0950R020BN4HC	938300Q
Hydac	Replaces 1300R003BN4HC	938301Q
Hydac	Replaces 1300R005BN4HC	938302Q
Hydac	Replaces 1300R010BN4HC	938303Q
Hydac	Replaces 1300R020BN4HC	938304Q

Filter Element Competitor	Filter Element Competitor Part Number	Parker Part Number
Hydac	Replaces 1700R003BN4HC	938305Q
Hydac	Replaces 1700R005BN4HC	938306Q
Hydac	Replaces 1700R010BN4HC	938307Q
Hydac	Replaces 1700R020BN4HC	938308Q
Hydac	Replaces 2600R003BN4HC	938310Q
Hydac	Replaces 2600R005BN4HC	938311Q
Hydac	Replaces 2600R010BN4HC	938312Q
Hydac	Replaces 2600R020BN4HC	938313Q
Hydac	Replaces 0100RK010BN4HC	944091Q
Hydac	Replaces 0100RK015BN4HC	944092Q
Hydac	Replaces 1320D010BH4HC	941693
Internormen	Replaces 01.E 170.10VG.30.E.V	938232Q
Internormen	Replaces 01.E 170.10VG.HR.E.V	938172Q
Internormen	Replaces 01.E 170.25VG.30.E.V	938233Q
Internormen	Replaces 01.E 170.25VG.HR.E.V	938173Q
Internormen	Replaces 01.E 170.3VG.30.E.V	938230Q
Internormen	Replaces 01.E 170.3VG.HR.E.V	938170Q
Internormen	Replaces 01.E 170.6VG.30.E.V	938231Q
Internormen	Replaces 01.E 170.6VG.HR.E.V	938171Q
Internormen	Replaces 01.E 210.10VG.16.S.V	938188Q
Internormen	Replaces 01.E 210.25VG.16.S.V	938189Q
Internormen	Replaces 01.E 210.3VG.16.S.V	938186Q
Internormen	Replaces 01.E 210.6VG.16.S.V	938187Q
Internormen	Replaces 01.E 30.10VG.30.E.V	938244Q
Internormen	Replaces 01.E 30.25VG.30.E.V	938245Q
Internormen	Replaces 01.E 30.3VG.30.E.V	938242Q
Internormen	Replaces 01.E 30.6VG.30.E.V	938243Q
Internormen	Replaces 01.E 320.10VG.16.S.V	938168Q
Internormen	Replaces 01.E 320.25VG.16.S.V	938169Q
Internormen	Replaces 01.E 320.3VG.16.S.V	938166Q
Internormen	Replaces 01.E 320.6VG.16.S.V	938167Q
Internormen	Replaces 01.E 360.10VG.30.E.V	938220Q
Internormen	Replaces 01.E 360.10VG.HR.E.V	938176Q
Internormen	Replaces 01.E 360.25VG.30.E.V	938221Q
Internormen	Replaces 01.E 360.25VG.HR.E.V	938177Q
Internormen	Replaces 01.E 360.3VG.30.E.V	938218Q
Internormen	Replaces 01.E 360.3VG.HR.E.V	938174Q
Internormen	Replaces 01.E 360.6VG.30.E.V	938219Q
Internormen	Replaces 01.E 360.6VG.HR.E.V	938175Q
Internormen	Replaces 01.E 425.10VG.16.E.V	938236Q
Internormen	Replaces 01.E 425.10VG.16.S.V	938192Q
Internormen	Replaces 01.E 425.25VG.16.E.V	938237Q
Internormen	Replaces 01.E 425.25VG.16.S.V	938193Q
Internormen	Replaces 01.E 425.3VG.16.E.V	938234Q
Internormen	Replaces 01.E 425.6VG.16.E.V	938235Q
Internormen	Replaces 01.E 450.10VG.30.E.V	938224Q
Internormen	Replaces 01.E 450.10VG.HR.E.V	938216Q
Internormen	Replaces 01.E 450.25VG.30.E.V	938225Q
Internormen	Replaces 01.E 450.25VG.HR.E.V	938217Q
Internormen	Replaces 01.E 450.3VG.30.E.V	938222Q
Internormen	Replaces 01.E 450.3VG.HR.E.V	938214Q
Internormen	Replaces 01.E 450.6VG.30.E.V	938223Q
Internormen	Replaces 01.E 450.6VG.HR.E.V	938215Q
Internormen	Replaces 01.E 631.10VG.16.S.V	938212Q
Internormen	Replaces 01.E 631.25VG.16.S.V	938213Q
Internormen	Replaces 01.E 631.3VG.16.S.V	938210Q
Internormen	Replaces 01.E 631.6VG.16.S.V	938211Q

## Hydraulic and Lubrication Interchangeable Element Range

### Part Numbers

Note: Bold and darker tint panel indicates the item is standard and available to order immediately.

Filter Element Competitor	Filter Element Competitor Part Number	Parker Part Number
<b>Internormen</b>	<b>Replaces 01.E 90.10VG.HR.E.V</b>	<b>938240Q</b>
<b>Internormen</b>	<b>Replaces 01.E 90.25VG.HR.E.V</b>	<b>938241Q</b>
Internormen	Replaces 01.E 90.3VG.HR.E.V	938238Q
Internormen	Replaces 01.E 90.6VG.HR.E.V	938239Q
<b>Internormen</b>	<b>Replaces 01.E.240.10VG.HR.E.V</b>	<b>938228Q</b>
<b>Internormen</b>	<b>Replaces 01.E.240.25VG.HR.E.V</b>	<b>938229Q</b>
Internormen	Replaces 01.E.240.3VG.HR.E.V	938226Q
Internormen	Replaces 01.E.240.6VG.HR.E.V	938227Q
<b>Internormen</b>	<b>Replaces 01.E.425.3VG.16.S.V</b>	<b>938190Q</b>
Internormen	Replaces 01.E.425.6VG.16.S.V	938191Q
<b>Internormen</b>	<b>Replaces 01.NBF 25-40.3VL.B.P</b>	<b>938251Q</b>
<b>Internormen</b>	<b>Replaces 01.NBF 55-85.3VL.B.P</b>	<b>938252Q</b>
<b>Internormen</b>	<b>Replaces 01.NL 100.10VG.30.E.V</b>	<b>938184Q</b>
<b>Internormen</b>	<b>Replaces 01.NL 100.25VG.30.E.V</b>	<b>938185Q</b>
Internormen	Replaces 01.NL 100.3VG.30.E.V	938182Q
Internormen	Replaces 01.NL 100.6VG.30.E.V	938183Q
<b>Internormen</b>	<b>Replaces 01.NL 63.10VG.30.E.V</b>	<b>938180Q</b>
<b>Internormen</b>	<b>Replaces 01.NL 63.25VG.30.E.V</b>	<b>938181Q</b>
Internormen	Replaces 01.NL 63.3VG.30.E.V	938178Q
Internormen	Replaces 01.NL 63.6VG.30.E.V	938179Q
<b>Internormen</b>	<b>Replaces 01.NL.40.10VG.HR.E.V</b>	<b>938248Q</b>
<b>Internormen</b>	<b>Replaces 01.NL.40.25VG.HR.E.V</b>	<b>938249Q</b>
Internormen	Replaces 01.NL.40.3VG.HR.E.V	938246Q
Internormen	Replaces 01.NL.40.6VG.HR.E.V	938247Q
Internormen	Replaces 01.E 120.25VG.16.S.V	939723Q
Internormen	Replaces 01.E 30.25VG.HR.E.V	939736Q
Internormen	Replaces 01.E 330.10VG.16.S.V	939727Q
Internormen	Replaces 01.E 41.10VG.16.S.V	939728Q
Internormen	Replaces 01.E 90.250G.HR.E.P.	939738Q
Internormen	Replaces 01.E 900.10VG.30.E.V	939734Q
Internormen	Replaces 01.E 950.10VG.10.S.V	939725Q
Internormen	Replaces 01.E 950.25P.10.S.V	939732Q
Internormen	Replaces 01.N 100.80G.16.E.V	939726Q
Internormen	Replaces 01.NL 40.25VG.30.E.V	939730Q
Internormen	Replaces 01.NL.630.25VG.30.S.V	939737Q
Internormen	Replaces 01.TS 210.25VG.B	939729Q
<b>Mahle</b>	<b>Replaces 852 126 Mic 10</b>	<b>PR4381Q</b>
Mahle	Replaces 852 127 Sm vst 3	937104Q
<b>Mahle</b>	<b>Replaces 852 127 SMX 10</b>	<b>937100Q</b>
<b>Mahle</b>	<b>Replaces 852 127 SMX 25</b>	<b>937101Q</b>
Mahle	Replaces 852 127 SMX 3	937102Q
<b>Mahle</b>	<b>Replaces 852 127 SMX VST 10</b>	<b>937103Q</b>
Mahle	Replaces 852 127 SMX VST 3	937099Q
<b>Mahle</b>	<b>Replaces 852 435 SM 10</b>	<b>PR4375Q</b>
<b>Mahle</b>	<b>Replaces 852 435 SM 25</b>	<b>PR4374Q</b>
<b>Mahle</b>	<b>Replaces 852 436 SM 10</b>	<b>PR4377Q</b>
<b>Mahle</b>	<b>Replaces 852 436 SM 25</b>	<b>PR4376Q</b>
<b>Mahle</b>	<b>Replaces 852 439 Sm 10</b>	<b>937105Q</b>
<b>Mahle</b>	<b>Replaces 852 519 Mic 10</b>	<b>937106Q</b>
Mahle	Replaces 852 519 Sm L	937107Q
<b>Mahle</b>	<b>Replaces 852 690 Sm 10</b>	<b>937108Q</b>
<b>Mahle</b>	<b>Replaces 852 760 Sm 10</b>	<b>937109Q</b>
<b>Mahle</b>	<b>Replaces 852 760 Sm 25</b>	<b>937110Q</b>
Mahle	Replaces 852 761 Mic 10	PR4378Q
<b>Mahle</b>	<b>Replaces 852 761 SM 10</b>	<b>PR4380Q</b>
<b>Mahle</b>	<b>Replaces 852 761 SM 25</b>	<b>PR4379Q</b>
Mahle	Replaces Pi1005Mic25	PR2829Q

Filter Element Competitor	Filter Element Competitor Part Number	Parker Part Number
Mahle	Replaces Pi1008Mic25	PR2837Q
Mahle	Replaces Pi1011Mic25	PR2845Q
Mahle	Replaces Pi1015Mic25	PR2853Q
Mahle	Replaces Pi1030MIC25	PR2861Q
Mahle	Replaces Pi1045Mic25	PR2869Q
Mahle	Replaces Pi1105Mic10	PR2828Q
Mahle	Replaces Pi1108Mic10	PR2836Q
Mahle	Replaces Pi1111Mic10	PR2844Q
Mahle	Replaces Pi1115Mic10	PR2852Q
Mahle	Replaces Pi1130Mic10	PR2860Q
Mahle	Replaces Pi1145Mic10	PR2868Q
<b>Mahle</b>	<b>Replaces Pi21004DNSM-X3</b>	<b>PR4522Q</b>
<b>Mahle</b>	<b>Replaces Pi21006DNSM-X3</b>	<b>PR4526Q</b>
<b>Mahle</b>	<b>Replaces Pi21010DNSM-X3</b>	<b>PR4530Q</b>
<b>Mahle</b>	<b>Replaces Pi21016DNSM-X3</b>	<b>PR4534Q</b>
<b>Mahle</b>	<b>Replaces Pi21025DNSM-X3</b>	<b>PR4538Q</b>
<b>Mahle</b>	<b>Replaces Pi21040DNSM-X3</b>	<b>PR4542Q</b>
Mahle	Replaces Pi21040RNSM-X03	PR4508Q
Mahle	Replaces Pi2105 SMX 3	PR2830Q
Mahle	Replaces Pi21063RNSM-X03	PR4512Q
<b>Mahle</b>	<b>Replaces Pi2108SMX3</b>	<b>PR2838Q</b>
Mahle	Replaces Pi21100RNSM-X03	PR4516Q
Mahle	Replaces Pi2111SMX3	PR2846Q
Mahle	Replaces Pi2115SMX3	PR2854Q
Mahle	Replaces Pi2130SMX3	PR2862Q
Mahle	Replaces Pi2145SMX3	PR2870Q
Mahle	Replaces Pi22010RNSM-X06	PR4499Q
Mahle	Replaces Pi22016RNSM-X06	PR4502Q
Mahle	Replaces Pi22025RNSM-X06	PR4505Q
<b>Mahle</b>	<b>Replaces Pi22040RNSM-X06</b>	<b>PR4509Q</b>
Mahle	Replaces Pi2205SMXVST3	PR2833Q
Mahle	Replaces Pi22063RNSM-X06	PR4513Q
<b>Mahle</b>	<b>Replaces Pi2208SMXVST3</b>	<b>PR2841Q</b>
Mahle	Replaces Pi22100RNSM-X06	PR4517Q
<b>Mahle</b>	<b>Replaces Pi2211SMXVST3</b>	<b>PR2849Q</b>
<b>Mahle</b>	<b>Replaces Pi2215SMXVST3</b>	<b>PR2857Q</b>
<b>Mahle</b>	<b>Replaces Pi2230SMXVST3</b>	<b>PR2865Q</b>
<b>Mahle</b>	<b>Replaces Pi2245SMXVST3</b>	<b>PR2873Q</b>
<b>Mahle</b>	<b>Replaces Pi23004DNSM-X10</b>	<b>PR4523Q</b>
<b>Mahle</b>	<b>Replaces Pi23006DNSM-X10</b>	<b>PR4527Q</b>
<b>Mahle</b>	<b>Replaces Pi23010DNSM-X10</b>	<b>PR4531Q</b>
<b>Mahle</b>	<b>Replaces Pi23010RNSM-X10</b>	<b>PR4500Q</b>
<b>Mahle</b>	<b>Replaces Pi23016DNSM-X10</b>	<b>PR4535Q</b>
<b>Mahle</b>	<b>Replaces Pi23016RNSM-X10</b>	<b>PR4530Q</b>
<b>Mahle</b>	<b>Replaces Pi23025DNSM-X10</b>	<b>PR4539Q</b>
<b>Mahle</b>	<b>Replaces Pi23025RNSM-X10</b>	<b>PR4506Q</b>
<b>Mahle</b>	<b>Replaces Pi23040DNSM-X10</b>	<b>PR4543Q</b>
<b>Mahle</b>	<b>Replaces Pi23040RNSM-X10</b>	<b>PR4510Q</b>
<b>Mahle</b>	<b>Replaces Pi23063RNSM-X10</b>	<b>PR4514Q</b>
<b>Mahle</b>	<b>Replaces Pi23100RNSM-X10</b>	<b>PR4518Q</b>
<b>Mahle</b>	<b>Replaces Pi25010RNSM-X25</b>	<b>PR4501Q</b>
<b>Mahle</b>	<b>Replaces Pi25016RNSM-X25</b>	<b>PR4504Q</b>
<b>Mahle</b>	<b>Replaces Pi25025RNSM-X25</b>	<b>PR4507Q</b>
<b>Mahle</b>	<b>Replaces Pi25040RNSM-X25</b>	<b>PR4511Q</b>
<b>Mahle</b>	<b>Replaces Pi25063RNSM-X25</b>	<b>PR4515Q</b>
<b>Mahle</b>	<b>Replaces Pi25100RNSM-X25</b>	<b>PR4519Q</b>
<b>Mahle</b>	<b>Replaces Pi3105 SMX 10</b>	<b>PR2831Q</b>

## Hydraulic and Lubrication Interchangeable Element Range



### Part Numbers

Note: Bold and darker tint panel indicates the item is standard and available to order immediately.

Filter Element Competitor	Filter Element Competitor Part Number	Parker Part Number
Mahle	Replaces Pi3108 SMX 10	PR2839Q
Mahle	Replaces Pi3111 SMX 10	PR2847Q
Mahle	Replaces Pi3115 SMX10	PR2855Q
Mahle	Replaces Pi3130 SMX10	PR2863Q
Mahle	Replaces Pi3145 SMX10	PR2871Q
Mahle	Replaces Pi3205 SMXVST10	PR2834Q
Mahle	Replaces Pi3208 SMXVST10	PR2842Q
Mahle	Replaces Pi3211 SMXVST10	PR2850Q
Mahle	Replaces Pi3215 SMXVST10	PR2858Q
Mahle	Replaces Pi3230 SMXVST10	PR2866Q
Mahle	Replaces Pi3245 SMXVST10	PR2874Q
Mahle	Replaces Pi4105 SMX25	PR2832Q
Mahle	Replaces Pi4108 SMX25	PR2840Q
Mahle	Replaces Pi4111 SMX25	PR2848Q
Mahle	Replaces Pi4115 SMX25	PR2856Q
Mahle	Replaces Pi4130 SMX25	PR2864Q
Mahle	Replaces Pi4145 SMX25	PR2872Q
Mahle	Replaces Pi4205 SMXVST25	PR2835Q
Mahle	Replaces Pi4208 SMXVST25	PR2843Q
Mahle	Replaces Pi4211 SMXVST25	PR2851Q
Mahle	Replaces Pi4215 SMXVST25	PR2859Q
Mahle	Replaces Pi4230 SMXVST25	PR2867Q
Mahle	Replaces Pi4245 SMXVST25	PR2875Q
Mahle	Replaces Pi71004DN SMXVST3	PR4520Q
Mahle	Replaces Pi71006DN SMXVST3	PR4524Q
Mahle	Replaces Pi71010DN SMXVST3	PR4528Q
Mahle	Replaces Pi71016DN SMXVST3	PR4532Q
Mahle	Replaces Pi71025DN SMXVST3	PR4536Q
Mahle	Replaces Pi71040DN SMXVST3	PR4540Q
Mahle	Replaces Pi73004DN SMXVST10	PR4521Q
Mahle	Replaces Pi73006DN SMXVST10	PR4525Q
Mahle	Replaces Pi73010DN SMXVST10	PR4529Q
Mahle	Replaces Pi73016DN SMXVST10	PR4533Q
Mahle	Replaces Pi73025DN SMXVST10	PR4537Q
Mahle	Replaces Pi73040DN SMXVST10	PR4541Q
Mahle	Replaces 852 125 SMX 10	939735Q
MP Filtri	Replaces CSG-50-A10-A	928763
MP Filtri	Replaces CSG-50-A25-A	928764
MP Filtri	Replaces CU025A03VN	943793Q
MP Filtri	Replaces CU025A06VN	943794Q
MP Filtri	Replaces CU025A10VN	943795Q
MP Filtri	Replaces CU025A25VN	943796Q
MP Filtri	Replaces CU025M25VN	943796Q
MP Filtri	Replaces CU025P10VN	943796Q
MP Filtri	Replaces CU025P25VN	943796Q
MP Filtri	Replaces CU040A03VN	943797Q
MP Filtri	Replaces CU040A06VN	943798Q
MP Filtri	Replaces CU040A10VN	943799Q
MP Filtri	Replaces CU040A25VN	943800Q
MP Filtri	Replaces CU040M25VN	943800Q
MP Filtri	Replaces CU040P10VN	943800Q
MP Filtri	Replaces CU040P25VN	943800Q
MP Filtri	Replaces CU100A03VN	943801Q
MP Filtri	Replaces CU100A06VN	943802Q
MP Filtri	Replaces CU100A10VN	943803Q
MP Filtri	Replaces CU100A25VN	943804Q
MP Filtri	Replaces CU100M25VN	943804Q

Filter Element Competitor	Filter Element Competitor Part Number	Parker Part Number
MP Filtri	Replaces CU100P10VN	943804Q
MP Filtri	Replaces CU100P25VN	943804Q
MP Filtri	Replaces CU200A03VN	943805Q
MP Filtri	Replaces CU200A06VN	943806Q
MP Filtri	Replaces CU200A10VN	943807Q
MP Filtri	Replaces CU200A25VN	943808Q
MP Filtri	Replaces CU200M25VN	943808Q
MP Filtri	Replaces CU200P10VN	943808Q
MP Filtri	Replaces CU200P25VN	943808Q
MP Filtri	Replaces CU250A03VN	943809Q
MP Filtri	Replaces CU250A06VN	943810Q
MP Filtri	Replaces CU250A10VN	943811Q
MP Filtri	Replaces CU250A25VN	943812Q
MP Filtri	Replaces CU250M25VN	943812Q
MP Filtri	Replaces CU250P10VN	943812Q
MP Filtri	Replaces CU250P25VN	943812Q
MP Filtri	Replaces CU350A03VN	943813Q
MP Filtri	Replaces CU350A06VN	943814Q
MP Filtri	Replaces CU350A10VN	943815Q
MP Filtri	Replaces CU350A25VN	943816Q
MP Filtri	Replaces CU350M25VN	943816Q
MP Filtri	Replaces CU350P10VN	943816Q
MP Filtri	Replaces CU350P25VN	943816Q
MP Filtri	Replaces CU630A03VN	943817Q
MP Filtri	Replaces CU630A06VN	943818Q
MP Filtri	Replaces CU630A10VN	943819Q
MP Filtri	Replaces CU630A25VN	943820Q
MP Filtri	Replaces CU630M25VN	943820Q
MP Filtri	Replaces CU630P10VN	943820Q
MP Filtri	Replaces CU630P25VN	943820Q
MP Filtri	Replaces CU730A03VN	943821Q
MP Filtri	Replaces CU730A06VN	943822Q
MP Filtri	Replaces CU730A10VN	943823Q
MP Filtri	Replaces CU730A25VN	943824Q
MP Filtri	Replaces CU730M25VN	943824Q
MP Filtri	Replaces CU730P10VN	943824Q
MP Filtri	Replaces CU730P25VN	943824Q
MP Filtri	Replaces CU850A03VN	943825Q
MP Filtri	Replaces CU850A06VN	943826Q
MP Filtri	Replaces CU850A10VN	943827Q
MP Filtri	Replaces CU850A25VN	943828Q
MP Filtri	Replaces CU850M25VN	943828Q
MP Filtri	Replaces CU850P10VN	943828Q
MP Filtri	Replaces CU850P25VN	943828Q
MP Filtri	Replaces HP0371A03VN	938321Q
MP Filtri	Replaces HP0371A06VN	938322Q
MP Filtri	Replaces HP0371A10VN	938323Q
MP Filtri	Replaces HP0371A25VN	938324Q
MP Filtri	Replaces HP0371M10VN	938324Q
MP Filtri	Replaces HP0371M25VN	938324Q
MP Filtri	Replaces HP0371P10VN	938324Q
MP Filtri	Replaces HP0371P25VN	938324Q
MP Filtri	Replaces HP0372A03VN	938325Q
MP Filtri	Replaces HP0372A06VN	938326Q
MP Filtri	Replaces HP0372A10VN	938327Q
MP Filtri	Replaces HP0372A25VN	938328Q
MP Filtri	Replaces HP0372M10VN	938328Q

## Hydraulic and Lubrication Interchangeable Element Range

### Part Numbers

Note: Bold and darker tint panel indicates the item is standard and available to order immediately.

Filter Element Competitor	Filter Element Competitor Part Number	Parker Part Number
<b>MP Filtri</b>	<b>Replaces HP0372M25VN</b>	<b>938328Q</b>
<b>MP Filtri</b>	<b>Replaces HP0372P10VN</b>	<b>938328Q</b>
<b>MP Filtri</b>	<b>Replaces HP0372P25VN</b>	<b>938328Q</b>
MP Filtri	Replaces HP0651A03VH	943613Q
MP Filtri	Replaces HP0651A03VN	938329Q
MP Filtri	Replaces HP0651A06VH	943614Q
MP Filtri	Replaces HP0651A06VN	938330Q
<b>MP Filtri</b>	<b>Replaces HP0651A10VH</b>	<b>943615Q</b>
<b>MP Filtri</b>	<b>Replaces HP0651A10VN</b>	<b>938331Q</b>
<b>MP Filtri</b>	<b>Replaces HP0651A25VH</b>	<b>943616Q</b>
<b>MP Filtri</b>	<b>Replaces HP0651A25VN</b>	<b>938332Q</b>
<b>MP Filtri</b>	<b>Replaces HP0651M10VH</b>	<b>943616Q</b>
<b>MP Filtri</b>	<b>Replaces HP0651M10VN</b>	<b>938332Q</b>
<b>MP Filtri</b>	<b>Replaces HP0651M25VH</b>	<b>943616Q</b>
<b>MP Filtri</b>	<b>Replaces HP0651M25VN</b>	<b>938332Q</b>
<b>MP Filtri</b>	<b>Replaces HP0651P10VN</b>	<b>938332Q</b>
<b>MP Filtri</b>	<b>Replaces HP0651P25VN</b>	<b>938332Q</b>
MP Filtri	Replaces HP0652A03VH	943617Q
MP Filtri	Replaces HP0652A03VN	938333Q
MP Filtri	Replaces HP0652A06VH	943618Q
MP Filtri	Replaces HP0652A06VN	938334Q
<b>MP Filtri</b>	<b>Replaces HP0652A10VH</b>	<b>943619Q</b>
<b>MP Filtri</b>	<b>Replaces HP0652A10VN</b>	<b>938335Q</b>
<b>MP Filtri</b>	<b>Replaces HP0652A25VH</b>	<b>943620Q</b>
<b>MP Filtri</b>	<b>Replaces HP0652A25VN</b>	<b>938336Q</b>
<b>MP Filtri</b>	<b>Replaces HP0652M10VH</b>	<b>943620Q</b>
<b>MP Filtri</b>	<b>Replaces HP0652M10VN</b>	<b>938336Q</b>
<b>MP Filtri</b>	<b>Replaces HP0652M25VH</b>	<b>943620Q</b>
<b>MP Filtri</b>	<b>Replaces HP0652M25VN</b>	<b>938336Q</b>
<b>MP Filtri</b>	<b>Replaces HP0652P10VN</b>	<b>938336Q</b>
<b>MP Filtri</b>	<b>Replaces HP0652P25VN</b>	<b>938336Q</b>
MP Filtri	Replaces HP0653A03VH	943621Q
MP Filtri	Replaces HP0653A03VN	938337Q
MP Filtri	Replaces HP0653A06VH	943622Q
MP Filtri	Replaces HP0653A06VN	938338Q
<b>MP Filtri</b>	<b>Replaces HP0653A10VH</b>	<b>943623Q</b>
<b>MP Filtri</b>	<b>Replaces HP0653A10VN</b>	<b>938339Q</b>
<b>MP Filtri</b>	<b>Replaces HP0653A25VH</b>	<b>943624Q</b>
<b>MP Filtri</b>	<b>Replaces HP0653A25VN</b>	<b>938340Q</b>
<b>MP Filtri</b>	<b>Replaces HP0653M10VH</b>	<b>943624Q</b>
<b>MP Filtri</b>	<b>Replaces HP0653M10VN</b>	<b>938340Q</b>
<b>MP Filtri</b>	<b>Replaces HP0653M25VH</b>	<b>943624Q</b>
<b>MP Filtri</b>	<b>Replaces HP0653M25VN</b>	<b>938340Q</b>
<b>MP Filtri</b>	<b>Replaces HP0653P10VN</b>	<b>938340Q</b>
<b>MP Filtri</b>	<b>Replaces HP0653P25VN</b>	<b>938340Q</b>
MP Filtri	Replaces HP1351A03VH	943625Q
MP Filtri	Replaces HP1351A03VN	938341Q
MP Filtri	Replaces HP1351A06VH	943626Q
MP Filtri	Replaces HP1351A06VN	938342Q
<b>MP Filtri</b>	<b>Replaces HP1351A10VH</b>	<b>943627Q</b>
<b>MP Filtri</b>	<b>Replaces HP1351A10VN</b>	<b>938343Q</b>
<b>MP Filtri</b>	<b>Replaces HP1351A25VH</b>	<b>943628Q</b>
<b>MP Filtri</b>	<b>Replaces HP1351A25VN</b>	<b>938344Q</b>
<b>MP Filtri</b>	<b>Replaces HP1351M10VH</b>	<b>943628Q</b>
<b>MP Filtri</b>	<b>Replaces HP1351M10VN</b>	<b>938344Q</b>
<b>MP Filtri</b>	<b>Replaces HP1351M25VH</b>	<b>943628Q</b>
<b>MP Filtri</b>	<b>Replaces HP1351M25VN</b>	<b>938344Q</b>

Filter Element Competitor	Filter Element Competitor Part Number	Parker Part Number
<b>MP Filtri</b>	<b>Replaces HP1351P10VN</b>	<b>938344Q</b>
<b>MP Filtri</b>	<b>Replaces HP1351P25VN</b>	<b>938344Q</b>
MP Filtri	Replaces HP1352A03VH	943629Q
MP Filtri	Replaces HP1352A03VN	938345Q
MP Filtri	Replaces HP1352A06VH	943630Q
MP Filtri	Replaces HP1352A06VN	938346Q
<b>MP Filtri</b>	<b>Replaces HP1352A10VH</b>	<b>943631Q</b>
<b>MP Filtri</b>	<b>Replaces HP1352A10VN</b>	<b>938347Q</b>
<b>MP Filtri</b>	<b>Replaces HP1352A25VH</b>	<b>943632Q</b>
<b>MP Filtri</b>	<b>Replaces HP1352A25VN</b>	<b>938348Q</b>
<b>MP Filtri</b>	<b>Replaces HP1352M10VH</b>	<b>943632Q</b>
<b>MP Filtri</b>	<b>Replaces HP1352M10VN</b>	<b>938348Q</b>
<b>MP Filtri</b>	<b>Replaces HP1352M25VH</b>	<b>943632Q</b>
<b>MP Filtri</b>	<b>Replaces HP1352M25VN</b>	<b>938348Q</b>
<b>MP Filtri</b>	<b>Replaces HP1352P10VN</b>	<b>938348Q</b>
<b>MP Filtri</b>	<b>Replaces HP1352P25VN</b>	<b>938348Q</b>
MP Filtri	Replaces HP1353A03VH	943633Q
MP Filtri	Replaces HP1353A03VN	938349Q
MP Filtri	Replaces HP1353A06VH	943634Q
MP Filtri	Replaces HP1353A06VN	938350Q
<b>MP Filtri</b>	<b>Replaces HP1353A10VH</b>	<b>943635Q</b>
<b>MP Filtri</b>	<b>Replaces HP1353A10VN</b>	<b>938351Q</b>
<b>MP Filtri</b>	<b>Replaces HP1353A25VH</b>	<b>943636Q</b>
<b>MP Filtri</b>	<b>Replaces HP1353A25VN</b>	<b>938352Q</b>
<b>MP Filtri</b>	<b>Replaces HP1353M10VH</b>	<b>943636Q</b>
<b>MP Filtri</b>	<b>Replaces HP1353M10VN</b>	<b>938352Q</b>
<b>MP Filtri</b>	<b>Replaces HP1353M25VH</b>	<b>943636Q</b>
<b>MP Filtri</b>	<b>Replaces HP1353M25VN</b>	<b>938352Q</b>
<b>MP Filtri</b>	<b>Replaces HP1353P10VN</b>	<b>938352Q</b>
<b>MP Filtri</b>	<b>Replaces HP1353P25VN</b>	<b>938352Q</b>
MP Filtri	Replaces HP3201A03VH	943637Q
MP Filtri	Replaces HP3201A03VN	938353Q
MP Filtri	Replaces HP3201A06VH	943638Q
MP Filtri	Replaces HP3201A06VN	938354Q
<b>MP Filtri</b>	<b>Replaces HP3201A10VH</b>	<b>943639Q</b>
<b>MP Filtri</b>	<b>Replaces HP3201A10VN</b>	<b>938355Q</b>
<b>MP Filtri</b>	<b>Replaces HP3201A25VH</b>	<b>943640Q</b>
<b>MP Filtri</b>	<b>Replaces HP3201A25VN</b>	<b>938356Q</b>
<b>MP Filtri</b>	<b>Replaces HP3201M10VH</b>	<b>943640Q</b>
<b>MP Filtri</b>	<b>Replaces HP3201M10VN</b>	<b>938356Q</b>
<b>MP Filtri</b>	<b>Replaces HP3201M25VH</b>	<b>943640Q</b>
<b>MP Filtri</b>	<b>Replaces HP3201M25VN</b>	<b>938356Q</b>
<b>MP Filtri</b>	<b>Replaces HP3201P10VN</b>	<b>938356Q</b>
<b>MP Filtri</b>	<b>Replaces HP3201P25VN</b>	<b>938356Q</b>
MP Filtri	Replaces HP3202A03VH	943641Q
MP Filtri	Replaces HP3202A03VN	938357Q
MP Filtri	Replaces HP3202A06VH	943642Q
MP Filtri	Replaces HP3202A06VN	938358Q
<b>MP Filtri</b>	<b>Replaces HP3202A10VH</b>	<b>943643Q</b>
<b>MP Filtri</b>	<b>Replaces HP3202A10VN</b>	<b>938359Q</b>
<b>MP Filtri</b>	<b>Replaces HP3202A25VH</b>	<b>943644Q</b>
<b>MP Filtri</b>	<b>Replaces HP3202A25VN</b>	<b>938360Q</b>
<b>MP Filtri</b>	<b>Replaces HP3202M10VH</b>	<b>943644Q</b>
<b>MP Filtri</b>	<b>Replaces HP3202M10VN</b>	<b>938360Q</b>
<b>MP Filtri</b>	<b>Replaces HP3202M25VH</b>	<b>943644Q</b>
<b>MP Filtri</b>	<b>Replaces HP3202M25VN</b>	<b>938360Q</b>
<b>MP Filtri</b>	<b>Replaces HP3202P10VN</b>	<b>938360Q</b>

## Hydraulic and Lubrication Interchangeable Element Range



### Part Numbers

Note: Bold and darker tint panel indicates the item is standard and available to order immediately.

Filter Element Competitor	Filter Element Competitor Part Number	Parker Part Number
<b>MP Filtri</b>	<b>Replaces HP3202P25VN</b>	<b>938360Q</b>
MP Filtri	Replaces HP3203A03VH	943645Q
MP Filtri	Replaces HP3203A03VN	943500Q
MP Filtri	Replaces HP3203A06VH	943646Q
MP Filtri	Replaces HP3203A06VN	943501Q
<b>MP Filtri</b>	<b>Replaces HP3203A10VH</b>	<b>943647Q</b>
<b>MP Filtri</b>	<b>Replaces HP3203A10VN</b>	<b>943502Q</b>
<b>MP Filtri</b>	<b>Replaces HP3203A25VH</b>	<b>943648Q</b>
<b>MP Filtri</b>	<b>Replaces HP3203A25VN</b>	<b>943503Q</b>
<b>MP Filtri</b>	<b>Replaces HP3203M10VH</b>	<b>943648Q</b>
<b>MP Filtri</b>	<b>Replaces HP3203M10VN</b>	<b>943503Q</b>
<b>MP Filtri</b>	<b>Replaces HP3203M25VH</b>	<b>943648Q</b>
<b>MP Filtri</b>	<b>Replaces HP3203M25VN</b>	<b>943503Q</b>
<b>MP Filtri</b>	<b>Replaces HP3203P10VN</b>	<b>943503Q</b>
<b>MP Filtri</b>	<b>Replaces HP3203P25VN</b>	<b>943503Q</b>
MP Filtri	Replaces HP3204A03VH	943649Q
MP Filtri	Replaces HP3204A03VN	943504Q
MP Filtri	Replaces HP3204A06VH	943650Q
MP Filtri	Replaces HP3204A06VN	943505Q
<b>MP Filtri</b>	<b>Replaces HP3204A10VH</b>	<b>943651Q</b>
<b>MP Filtri</b>	<b>Replaces HP3204A10VN</b>	<b>943506Q</b>
<b>MP Filtri</b>	<b>Replaces HP3204A25VH</b>	<b>943652Q</b>
<b>MP Filtri</b>	<b>Replaces HP3204A25VN</b>	<b>943507Q</b>
<b>MP Filtri</b>	<b>Replaces HP3204M10VH</b>	<b>943652Q</b>
<b>MP Filtri</b>	<b>Replaces HP3204M10VN</b>	<b>943507Q</b>
<b>MP Filtri</b>	<b>Replaces HP3204M25VH</b>	<b>943652Q</b>
<b>MP Filtri</b>	<b>Replaces HP3204M25VN</b>	<b>943507Q</b>
<b>MP Filtri</b>	<b>Replaces HP3204P10VN</b>	<b>943507Q</b>
<b>MP Filtri</b>	<b>Replaces HP3204P25VN</b>	<b>943507Q</b>
MP Filtri	Replaces HP5001A03VH	943653Q
MP Filtri	Replaces HP5001A03VN	943508Q
MP Filtri	Replaces HP5001A06VH	943654Q
MP Filtri	Replaces HP5001A06VN	943509Q
<b>MP Filtri</b>	<b>Replaces HP5001A10VH</b>	<b>943655Q</b>
<b>MP Filtri</b>	<b>Replaces HP5001A10VN</b>	<b>943510Q</b>
<b>MP Filtri</b>	<b>Replaces HP5001A25VH</b>	<b>943656Q</b>
<b>MP Filtri</b>	<b>Replaces HP5001A25VN</b>	<b>943511Q</b>
<b>MP Filtri</b>	<b>Replaces HP5001M10VH</b>	<b>943656Q</b>
<b>MP Filtri</b>	<b>Replaces HP5001M10VN</b>	<b>943511Q</b>
<b>MP Filtri</b>	<b>Replaces HP5001M25VH</b>	<b>943656Q</b>
<b>MP Filtri</b>	<b>Replaces HP5001M25VN</b>	<b>943511Q</b>
<b>MP Filtri</b>	<b>Replaces HP5001P10VN</b>	<b>943511Q</b>
<b>MP Filtri</b>	<b>Replaces HP5001P25VN</b>	<b>943511Q</b>
MP Filtri	Replaces HP5002A03VH	943657Q
MP Filtri	Replaces HP5002A03VN	943512Q
MP Filtri	Replaces HP5002A06VH	943658Q
MP Filtri	Replaces HP5002A06VN	943513Q
<b>MP Filtri</b>	<b>Replaces HP5002A10VH</b>	<b>943659Q</b>
<b>MP Filtri</b>	<b>Replaces HP5002A10VN</b>	<b>943514Q</b>
<b>MP Filtri</b>	<b>Replaces HP5002A25VH</b>	<b>943660Q</b>
<b>MP Filtri</b>	<b>Replaces HP5002A25VN</b>	<b>943515Q</b>
<b>MP Filtri</b>	<b>Replaces HP5002M10VH</b>	<b>943660Q</b>
<b>MP Filtri</b>	<b>Replaces HP5002M10VN</b>	<b>943515Q</b>
<b>MP Filtri</b>	<b>Replaces HP5002M25VH</b>	<b>943660Q</b>
<b>MP Filtri</b>	<b>Replaces HP5002M25VN</b>	<b>943515Q</b>
<b>MP Filtri</b>	<b>Replaces HP5002P10VN</b>	<b>943515Q</b>
<b>MP Filtri</b>	<b>Replaces HP5002P25VN</b>	<b>943515Q</b>

Filter Element Competitor	Filter Element Competitor Part Number	Parker Part Number
<b>MP Filtri</b>	<b>Replaces HP5003A03VH</b>	<b>943661Q</b>
<b>MP Filtri</b>	<b>Replaces HP5003A03VN</b>	<b>943516Q</b>
<b>MP Filtri</b>	<b>Replaces HP5003A06VH</b>	<b>943662Q</b>
<b>MP Filtri</b>	<b>Replaces HP5003A06VN</b>	<b>943517Q</b>
<b>MP Filtri</b>	<b>Replaces HP5003A10VH</b>	<b>943663Q</b>
<b>MP Filtri</b>	<b>Replaces HP5003A10VN</b>	<b>943518Q</b>
<b>MP Filtri</b>	<b>Replaces HP5003A25VH</b>	<b>943664Q</b>
<b>MP Filtri</b>	<b>Replaces HP5003A25VN</b>	<b>943519Q</b>
<b>MP Filtri</b>	<b>Replaces HP5003M10VH</b>	<b>943664Q</b>
<b>MP Filtri</b>	<b>Replaces HP5003M10VN</b>	<b>943519Q</b>
<b>MP Filtri</b>	<b>Replaces HP5003M25VH</b>	<b>943664Q</b>
<b>MP Filtri</b>	<b>Replaces HP5003M25VN</b>	<b>943519Q</b>
<b>MP Filtri</b>	<b>Replaces HP5003P10VN</b>	<b>943519Q</b>
<b>MP Filtri</b>	<b>Replaces HP5003P25VN</b>	<b>943519Q</b>
MP Filtri	Replaces HP5004A03VH	943665Q
MP Filtri	Replaces HP5004A03VN	943520Q
MP Filtri	Replaces HP5004A06VH	943666Q
MP Filtri	Replaces HP5004A06VN	943521Q
<b>MP Filtri</b>	<b>Replaces HP5004A10VH</b>	<b>943667Q</b>
<b>MP Filtri</b>	<b>Replaces HP5004A10VN</b>	<b>943522Q</b>
<b>MP Filtri</b>	<b>Replaces HP5004A25VH</b>	<b>943668Q</b>
<b>MP Filtri</b>	<b>Replaces HP5004A25VN</b>	<b>943523Q</b>
<b>MP Filtri</b>	<b>Replaces HP5004M10VH</b>	<b>943668Q</b>
<b>MP Filtri</b>	<b>Replaces HP5004M10VN</b>	<b>943523Q</b>
<b>MP Filtri</b>	<b>Replaces HP5004M25VH</b>	<b>943668Q</b>
<b>MP Filtri</b>	<b>Replaces HP5004M25VN</b>	<b>943523Q</b>
<b>MP Filtri</b>	<b>Replaces HP5004P10VN</b>	<b>943523Q</b>
<b>MP Filtri</b>	<b>Replaces HP5004P25VN</b>	<b>943523Q</b>
MP Filtri	Replaces HP5005A03VH	943669Q
MP Filtri	Replaces HP5005A03VN	943524Q
MP Filtri	Replaces HP5005A06VH	943670Q
MP Filtri	Replaces HP5005A06VN	943525Q
<b>MP Filtri</b>	<b>Replaces HP5005A10VH</b>	<b>943671Q</b>
<b>MP Filtri</b>	<b>Replaces HP5005A10VN</b>	<b>943526Q</b>
<b>MP Filtri</b>	<b>Replaces HP5005A25VH</b>	<b>943672Q</b>
<b>MP Filtri</b>	<b>Replaces HP5005A25VN</b>	<b>943527Q</b>
<b>MP Filtri</b>	<b>Replaces HP5005M10VH</b>	<b>943672Q</b>
<b>MP Filtri</b>	<b>Replaces HP5005M10VN</b>	<b>943527Q</b>
<b>MP Filtri</b>	<b>Replaces HP5005M25VH</b>	<b>943672Q</b>
<b>MP Filtri</b>	<b>Replaces HP5005M25VN</b>	<b>943527Q</b>
<b>MP Filtri</b>	<b>Replaces HP5005P10VN</b>	<b>943527Q</b>
<b>MP Filtri</b>	<b>Replaces HP5005P25VN</b>	<b>943527Q</b>
MP Filtri	Replaces MF0301A03VN	943703Q
MP Filtri	Replaces MF0301A06VN	943704Q
<b>MP Filtri</b>	<b>Replaces MF0301A10VN</b>	<b>943705Q</b>
<b>MP Filtri</b>	<b>Replaces MF0301A25VN</b>	<b>943706Q</b>
<b>MP Filtri</b>	<b>Replaces MF0301M25VN</b>	<b>943706Q</b>
<b>MP Filtri</b>	<b>Replaces MF0301P10VN</b>	<b>943706Q</b>
<b>MP Filtri</b>	<b>Replaces MF0301P25VN</b>	<b>943706Q</b>
MP Filtri	Replaces MF1001A03VN	943707Q
MP Filtri	Replaces MF1001A06VN	943708Q
<b>MP Filtri</b>	<b>Replaces MF1001A10VN</b>	<b>943709Q</b>
<b>MP Filtri</b>	<b>Replaces MF1001A25VN</b>	<b>943710Q</b>
<b>MP Filtri</b>	<b>Replaces MF1001M25VN</b>	<b>943710Q</b>
<b>MP Filtri</b>	<b>Replaces MF1001P10VN</b>	<b>943710Q</b>
<b>MP Filtri</b>	<b>Replaces MF1001P25VN</b>	<b>943710Q</b>
MP Filtri	Replaces MF1002A03VN	943711Q

## Hydraulic and Lubrication Interchangeable Element Range

### Part Numbers

Note: Bold and darker tint panel indicates the item is standard and available to order immediately.

Filter Element Competitor	Filter Element Competitor Part Number	Parker Part Number
MP Filtri	Replaces MF1002A06VN	943712Q
<b>MP Filtri</b>	<b>Replaces MF1002A10VN</b>	<b>943713Q</b>
<b>MP Filtri</b>	<b>Replaces MF1002A25VN</b>	<b>943714Q</b>
<b>MP Filtri</b>	<b>Replaces MF1002M25VN</b>	<b>943714Q</b>
<b>MP Filtri</b>	<b>Replaces MF1002P10VN</b>	<b>943714Q</b>
<b>MP Filtri</b>	<b>Replaces MF1002P25VN</b>	<b>943714Q</b>
MP Filtri	Replaces MF1003A03VN	943715Q
MP Filtri	Replaces MF1003A06VN	943716Q
<b>MP Filtri</b>	<b>Replaces MF1003A10VN</b>	<b>943717Q</b>
<b>MP Filtri</b>	<b>Replaces MF1003A25VN</b>	<b>943718Q</b>
<b>MP Filtri</b>	<b>Replaces MF1003M25VN</b>	<b>943718Q</b>
<b>MP Filtri</b>	<b>Replaces MF1003P10VN</b>	<b>943718Q</b>
<b>MP Filtri</b>	<b>Replaces MF1003P25VN</b>	<b>943718Q</b>
MP Filtri	Replaces MF1801A03VN	943719Q
MP Filtri	Replaces MF1801A06VN	943720Q
<b>MP Filtri</b>	<b>Replaces MF1801A10VN</b>	<b>943721Q</b>
<b>MP Filtri</b>	<b>Replaces MF1801A25VN</b>	<b>943722Q</b>
<b>MP Filtri</b>	<b>Replaces MF1801M25VN</b>	<b>943722Q</b>
<b>MP Filtri</b>	<b>Replaces MF1801P10VN</b>	<b>943722Q</b>
<b>MP Filtri</b>	<b>Replaces MF1801P25VN</b>	<b>943722Q</b>
MP Filtri	Replaces MF1802A03VN	943723Q
MP Filtri	Replaces MF1802A06VN	943724Q
<b>MP Filtri</b>	<b>Replaces MF1802A10VN</b>	<b>943725Q</b>
<b>MP Filtri</b>	<b>Replaces MF1802A25VN</b>	<b>943726Q</b>
<b>MP Filtri</b>	<b>Replaces MF1802M25VN</b>	<b>943726Q</b>
<b>MP Filtri</b>	<b>Replaces MF1802P10VN</b>	<b>943726Q</b>
<b>MP Filtri</b>	<b>Replaces MF1802P25VN</b>	<b>943726Q</b>
MP Filtri	Replaces MF4001A03VN	943727Q
MP Filtri	Replaces MF4001A06VN	943728Q
<b>MP Filtri</b>	<b>Replaces MF4001A10VN</b>	<b>943729Q</b>
<b>MP Filtri</b>	<b>Replaces MF4001A25VN</b>	<b>943730Q</b>
<b>MP Filtri</b>	<b>Replaces MF4001M25VN</b>	<b>943730Q</b>
<b>MP Filtri</b>	<b>Replaces MF4001P10VN</b>	<b>943730Q</b>
<b>MP Filtri</b>	<b>Replaces MF4001P25VN</b>	<b>943730Q</b>
MP Filtri	Replaces MF4002A03VN	943731Q
MP Filtri	Replaces MF4002A06VN	943732Q
<b>MP Filtri</b>	<b>Replaces MF4002A10VN</b>	<b>943733Q</b>
<b>MP Filtri</b>	<b>Replaces MF4002A25VN</b>	<b>943734Q</b>
<b>MP Filtri</b>	<b>Replaces MF4002M25VN</b>	<b>943734Q</b>
<b>MP Filtri</b>	<b>Replaces MF4002P10VN</b>	<b>943734Q</b>
<b>MP Filtri</b>	<b>Replaces MF4002P25VN</b>	<b>943734Q</b>
MP Filtri	Replaces MF4003A03VN	943735Q
MP Filtri	Replaces MF4003A06VN	943736Q
<b>MP Filtri</b>	<b>Replaces MF4003A10VN</b>	<b>943737Q</b>
<b>MP Filtri</b>	<b>Replaces MF4003A25VN</b>	<b>943738Q</b>
<b>MP Filtri</b>	<b>Replaces MF4003M25VN</b>	<b>943738Q</b>
<b>MP Filtri</b>	<b>Replaces MF4003P10VN</b>	<b>943738Q</b>
<b>MP Filtri</b>	<b>Replaces MF4003P25VN</b>	<b>943738Q</b>
MP Filtri	Replaces MF7501A03VN	943739Q
MP Filtri	Replaces MF7501A06VN	943740Q
<b>MP Filtri</b>	<b>Replaces MF7501A10VN</b>	<b>943741Q</b>
<b>MP Filtri</b>	<b>Replaces MF7501A25VN</b>	<b>943742Q</b>
<b>MP Filtri</b>	<b>Replaces MF7501M25VN</b>	<b>943742Q</b>
<b>MP Filtri</b>	<b>Replaces MF7501P10VN</b>	<b>943742Q</b>
<b>MP Filtri</b>	<b>Replaces MF7501P25VN</b>	<b>943742Q</b>
MP Filtri	Replaces MR1001A03V	938318Q
<b>MP Filtri</b>	<b>Replaces MR1001A10V</b>	<b>938319Q</b>

Filter Element Competitor	Filter Element Competitor Part Number	Parker Part Number
<b>MP Filtri</b>	<b>Replaces MR1001A25V</b>	<b>938320Q</b>
<b>MP Filtri</b>	<b>Replaces MR1001M25V</b>	<b>938320Q</b>
<b>MP Filtri</b>	<b>Replaces MR1001P10V</b>	<b>938320Q</b>
<b>MP Filtri</b>	<b>Replaces MR1001P25V</b>	<b>938320Q</b>
MP Filtri	Replaces MR1002A03V	943879Q
<b>MP Filtri</b>	<b>Replaces MR1002A10V</b>	<b>943880Q</b>
<b>MP Filtri</b>	<b>Replaces MR1002A25V</b>	<b>943881Q</b>
<b>MP Filtri</b>	<b>Replaces MR1002M25V</b>	<b>943881Q</b>
<b>MP Filtri</b>	<b>Replaces MR1002P10V</b>	<b>943881Q</b>
<b>MP Filtri</b>	<b>Replaces MR1002P25V</b>	<b>943881Q</b>
MP Filtri	Replaces MR1003A03V	943887Q
<b>MP Filtri</b>	<b>Replaces MR1003A10V</b>	<b>943888Q</b>
<b>MP Filtri</b>	<b>Replaces MR1003A25V</b>	<b>943889Q</b>
<b>MP Filtri</b>	<b>Replaces MR1003M25V</b>	<b>943889Q</b>
<b>MP Filtri</b>	<b>Replaces MR1003P10V</b>	<b>943889Q</b>
<b>MP Filtri</b>	<b>Replaces MR1003P25V</b>	<b>943889Q</b>
MP Filtri	Replaces MR1004A03V	943895Q
<b>MP Filtri</b>	<b>Replaces MR1004A10V</b>	<b>943896Q</b>
<b>MP Filtri</b>	<b>Replaces MR1004A25V</b>	<b>943897Q</b>
<b>MP Filtri</b>	<b>Replaces MR1004M25V</b>	<b>943897Q</b>
<b>MP Filtri</b>	<b>Replaces MR1004P10V</b>	<b>943897Q</b>
<b>MP Filtri</b>	<b>Replaces MR1004P25V</b>	<b>943897Q</b>
MP Filtri	Replaces MR2501A03V	943903Q
<b>MP Filtri</b>	<b>Replaces MR2501A10V</b>	<b>943904Q</b>
<b>MP Filtri</b>	<b>Replaces MR2501A25V</b>	<b>943905Q</b>
<b>MP Filtri</b>	<b>Replaces MR2501M25V</b>	<b>943905Q</b>
<b>MP Filtri</b>	<b>Replaces MR2501P10V</b>	<b>943905Q</b>
<b>MP Filtri</b>	<b>Replaces MR2501P25V</b>	<b>943905Q</b>
MP Filtri	Replaces MR2502A03V	943911Q
<b>MP Filtri</b>	<b>Replaces MR2502A10V</b>	<b>943912Q</b>
<b>MP Filtri</b>	<b>Replaces MR2502A25V</b>	<b>943913Q</b>
<b>MP Filtri</b>	<b>Replaces MR2502M25V</b>	<b>943913Q</b>
<b>MP Filtri</b>	<b>Replaces MR2502P10V</b>	<b>943913Q</b>
<b>MP Filtri</b>	<b>Replaces MR2502P25V</b>	<b>943913Q</b>
MP Filtri	Replaces MR2503A03V	943919Q
<b>MP Filtri</b>	<b>Replaces MR2503A10V</b>	<b>943920Q</b>
<b>MP Filtri</b>	<b>Replaces MR2503A25V</b>	<b>943921Q</b>
<b>MP Filtri</b>	<b>Replaces MR2503M25V</b>	<b>943921Q</b>
<b>MP Filtri</b>	<b>Replaces MR2503P10V</b>	<b>943921Q</b>
<b>MP Filtri</b>	<b>Replaces MR2503P25V</b>	<b>943921Q</b>
MP Filtri	Replaces MR2504A03V	943927Q
<b>MP Filtri</b>	<b>Replaces MR2504A10V</b>	<b>943928Q</b>
<b>MP Filtri</b>	<b>Replaces MR2504A25V</b>	<b>943929Q</b>
<b>MP Filtri</b>	<b>Replaces MR2504M25V</b>	<b>943929Q</b>
<b>MP Filtri</b>	<b>Replaces MR2504P10V</b>	<b>943929Q</b>
<b>MP Filtri</b>	<b>Replaces MR2504P25V</b>	<b>943929Q</b>
MP Filtri	Replaces MR6301A03V	943935Q
<b>MP Filtri</b>	<b>Replaces MR6301A10V</b>	<b>943936Q</b>
<b>MP Filtri</b>	<b>Replaces MR6301A25V</b>	<b>943937Q</b>
<b>MP Filtri</b>	<b>Replaces MR6301M25V</b>	<b>943937Q</b>
<b>MP Filtri</b>	<b>Replaces MR6301P10V</b>	<b>943937Q</b>
<b>MP Filtri</b>	<b>Replaces MR6301P25V</b>	<b>943937Q</b>
MP Filtri	Replaces MR6302A03V	943943Q
<b>MP Filtri</b>	<b>Replaces MR6302A10V</b>	<b>943944Q</b>
<b>MP Filtri</b>	<b>Replaces MR6302A25V</b>	<b>943945Q</b>
<b>MP Filtri</b>	<b>Replaces MR6302M25V</b>	<b>943945Q</b>
<b>MP Filtri</b>	<b>Replaces MR6302P10V</b>	<b>943945Q</b>



## Hydraulic and Lubrication Interchangeable Element Range



### Part Numbers

Note: Bold and darker tint panel indicates the item is standard and available to order immediately.

Filter Element Competitor	Filter Element Competitor Part Number	Parker Part Number
<b>MP Filtri</b>	<b>Replaces MR6302P25V</b>	<b>943945Q</b>
MP Filtri	Replaces MR6303A03V	943951Q
<b>MP Filtri</b>	<b>Replaces MR6303A10V</b>	<b>943952Q</b>
<b>MP Filtri</b>	<b>Replaces MR6303A25V</b>	<b>943953Q</b>
<b>MP Filtri</b>	<b>Replaces MR6303M25V</b>	<b>943953Q</b>
<b>MP Filtri</b>	<b>Replaces MR6303P10V</b>	<b>943953Q</b>
<b>MP Filtri</b>	<b>Replaces MR6303P25V</b>	<b>943953Q</b>
MP Filtri	Replaces MR6304A03V	943959Q
<b>MP Filtri</b>	<b>Replaces MR6304A10V</b>	<b>943960Q</b>
<b>MP Filtri</b>	<b>Replaces MR6304A25V</b>	<b>943961Q</b>
<b>MP Filtri</b>	<b>Replaces MR6304M25V</b>	<b>943961Q</b>
<b>MP Filtri</b>	<b>Replaces MR6304P10V</b>	<b>943961Q</b>
<b>MP Filtri</b>	<b>Replaces MR6304P25V</b>	<b>943961Q</b>
MP Filtri	Replaces MR8501A03V	943967Q
<b>MP Filtri</b>	<b>Replaces MR8501A10V</b>	<b>943968Q</b>
<b>MP Filtri</b>	<b>Replaces MR8501A25V</b>	<b>943969Q</b>
<b>MP Filtri</b>	<b>Replaces MR8501M25V</b>	<b>943969Q</b>
<b>MP Filtri</b>	<b>Replaces MR8501P10V</b>	<b>943969Q</b>
<b>MP Filtri</b>	<b>Replaces MR8501P25V</b>	<b>943969Q</b>
MP Filtri	Replaces MR8502A03V	943975Q
<b>MP Filtri</b>	<b>Replaces MR8502A10V</b>	<b>943976Q</b>
<b>MP Filtri</b>	<b>Replaces MR8502A25V</b>	<b>943977Q</b>
<b>MP Filtri</b>	<b>Replaces MR8502M25V</b>	<b>943977Q</b>
<b>MP Filtri</b>	<b>Replaces MR8502P10V</b>	<b>943977Q</b>
<b>MP Filtri</b>	<b>Replaces MR8502P25V</b>	<b>943977Q</b>
MP Filtri	Replaces MR8503A03V	943983Q
<b>MP Filtri</b>	<b>Replaces MR8503A10V</b>	<b>943984Q</b>
<b>MP Filtri</b>	<b>Replaces MR8503A25V</b>	<b>943985Q</b>
<b>MP Filtri</b>	<b>Replaces MR8503M25V</b>	<b>943985Q</b>
<b>MP Filtri</b>	<b>Replaces MR8503P10V</b>	<b>943985Q</b>
<b>MP Filtri</b>	<b>Replaces MR8503P25V</b>	<b>943985Q</b>
MP Filtri	Replaces MR8504A03V	943991Q
<b>MP Filtri</b>	<b>Replaces MR8504A10V</b>	<b>943992Q</b>
<b>MP Filtri</b>	<b>Replaces MR8504A25V</b>	<b>943993Q</b>
<b>MP Filtri</b>	<b>Replaces MR8504M25V</b>	<b>943993Q</b>
<b>MP Filtri</b>	<b>Replaces MR8504P10V</b>	<b>943993Q</b>
<b>MP Filtri</b>	<b>Replaces MR8504P25V</b>	<b>943993Q</b>
Norman Ultraporous	Replaces U-1005	MX.1518.4.10X4
Palfinger	Replaces EA1673	939724Q
Palfinger	Replaces EA2169	938309Q
Pall	Replaces HC0728FKN26H	938147Q
Pall	Replaces HC0728FKN39H	938151Q
Pall	Replaces HC0728FKP26H	938146Q
Pall	Replaces HC0728FKP39H	938150Q
Pall	Replaces HC0728FKS26H	938148Q
Pall	Replaces HC0728FKS39H	938152Q
Pall	Replaces HC0728FKT26H	938149Q
Pall	Replaces HC0728FKT39H	938153Q
Pall	Replaces HC2253FKN16H	932641Q
Pall	Replaces HC2253FKP16H	932640Q
Pall	Replaces HC2253FKS16H	932642Q
Pall	Replaces HC2254FKP16H	932643Q
Pall	Replaces HC2254FKP8H	932637Q
Pall	Replaces HC2254FKT16H	932645Q
Pall	Replaces HC2254FKT8H	932639Q
Pall	Replaces HC2618FKN18H	933912Q
Pall	Replaces HC2618FKN36H	933919Q

Filter Element Competitor	Filter Element Competitor Part Number	Parker Part Number
Pall	Replaces HC2618FKP18H	934179Q
Pall	Replaces HC2618FKP36H	934180Q
Pall	Replaces HC2618FKS18H	933913Q
Pall	Replaces HC2618FKS36H	933920Q
Pall	Replaces HC2618FKT18H	933914Q
Pall	Replaces HC2618FKT36H	933921Q
Pall	Replaces HC6200FKN8H	938159Q
Pall	Replaces HC6200FKP8H	938158Q
Pall	Replaces HC6200FKN8H	938160Q
Pall	Replaces HC6200FKT8H	938161Q
Pall	Replaces HC6300FKN13H	937112Q
Pall	Replaces HC6300FKN16H	937113Q
Pall	Replaces HC6300FKN26H	937114Q
Pall	Replaces HC6300FKN8H	937115Q
Pall	Replaces HC6300FKP13H	937116Q
Pall	Replaces HC6300FKP16H	937117Q
Pall	Replaces HC6300FKP26H	937118Q
Pall	Replaces HC6300FKP8H	937122Q
<b>Pall</b>	<b>Replaces HC6300FKN13H</b>	<b>937123Q</b>
<b>Pall</b>	<b>Replaces HC6300FKN16H</b>	<b>937124Q</b>
<b>Pall</b>	<b>Replaces HC6300FKN26H</b>	<b>937125Q</b>
<b>Pall</b>	<b>Replaces HC6300FKN8H</b>	<b>937126Q</b>
<b>Pall</b>	<b>Replaces HC6300FKT13H</b>	<b>937127Q</b>
<b>Pall</b>	<b>Replaces HC6300FKT16H</b>	<b>937128Q</b>
<b>Pall</b>	<b>Replaces HC6300FKT26H</b>	<b>937129Q</b>
<b>Pall</b>	<b>Replaces HC6300FKT8H</b>	<b>937130Q</b>
Pall	Replaces HC6400FKN13H	935140
Pall	Replaces HC6400FKN16H	935144
Pall	Replaces HC6400FKN26H	935148
Pall	Replaces HC6400FKN8H	937134Q
Pall	Replaces HC6400FKP13H	935139
Pall	Replaces HC6400FKP16H	935143
Pall	Replaces HC6400FKP26H	935147
Pall	Replaces HC6400FKP8H	937138Q
<b>Pall</b>	<b>Replaces HC6400FKN13H</b>	<b>935141</b>
<b>Pall</b>	<b>Replaces HC6400FKN16H</b>	<b>935145</b>
<b>Pall</b>	<b>Replaces HC6400FKN26H</b>	<b>935149</b>
<b>Pall</b>	<b>Replaces HC6400FKN8H</b>	<b>937142Q</b>
<b>Pall</b>	<b>Replaces HC6400FKT13H</b>	<b>935142</b>
<b>Pall</b>	<b>Replaces HC6400FKT16H</b>	<b>935146</b>
<b>Pall</b>	<b>Replaces HC6400FKT26H</b>	<b>935150</b>
<b>Pall</b>	<b>Replaces HC6400FKT8H</b>	<b>937146Q</b>
Pall	Replaces HC6500FKN13H	935152
Pall	Replaces HC6500FKN16H	935156
Pall	Replaces HC6500FKN26H	935160
Pall	Replaces HC6500FKN8H	PR4346Q
Pall	Replaces HC6500FKP13H	935151
Pall	Replaces HC6500FKP16H	935155
Pall	Replaces HC6500FKP26H	935159
Pall	Replaces HC6500FKP8H	PR4347Q
<b>Pall</b>	<b>Replaces HC6500FKN13H</b>	<b>935153</b>
<b>Pall</b>	<b>Replaces HC6500FKN16H</b>	<b>935157</b>
<b>Pall</b>	<b>Replaces HC6500FKN26H</b>	<b>935161</b>
<b>Pall</b>	<b>Replaces HC6500FKN8H</b>	<b>PR4345Q</b>
<b>Pall</b>	<b>Replaces HC6500FKT13H</b>	<b>935154</b>
<b>Pall</b>	<b>Replaces HC6500FKT16H</b>	<b>935158</b>
<b>Pall</b>	<b>Replaces HC6500FKT26H</b>	<b>935162</b>

## Hydraulic and Lubrication Interchangeable Element Range

### Part Numbers

Note: Bold and darker tint panel indicates the item is standard and available to order immediately.

Filter Element Competitor	Filter Element Competitor Part Number	Parker Part Number
<b>Pall</b>	<b>Replaces HC6500FKT8H</b>	<b>PR4344Q</b>
Pall	Replaces HC7400SKN4H	935164
Pall	Replaces HC7400SKN8H	935168
Pall	Replaces HC7400SKP4H	935163
Pall	Replaces HC7400SKP8H	935167
Pall	Replaces HC7400SKS4H	935165
Pall	Replaces HC7400SKS8H	935169
Pall	Replaces HC7400SKT4H	935166
Pall	Replaces HC7400SKT8H	935170
Pall	Replaces HC7500SKJ4H	937151Q
Pall	Replaces HC7500SKN4H	928766
Pall	Replaces HC7500SKN8H	932073
Pall	Replaces HC7500SKP4H	934200
Pall	Replaces HC7500SKS8H	929445
Pall	Replaces HC7500SKT4H	928767
Pall	Replaces HC7500SKT8H	929446
Pall	Replaces HC8200FKN13H	934472Q
Pall	Replaces HC8200FKN16H	935549Q
Pall	Replaces HC8200FKN8H	932266Q
Pall	Replaces HC8200FKP13H	934473Q
Pall	Replaces HC8200FKP16H	935548Q
Pall	Replaces HC8200FKP8H	933363Q
<b>Pall</b>	<b>Replaces HC8200FKS13H</b>	<b>934474Q</b>
<b>Pall</b>	<b>Replaces HC8200FKS16H</b>	<b>935550Q</b>
<b>Pall</b>	<b>Replaces HC8200FKS8H</b>	<b>933364Q</b>
<b>Pall</b>	<b>Replaces HC8200FKT13H</b>	<b>934475Q</b>
<b>Pall</b>	<b>Replaces HC8200FKT16H</b>	<b>935551Q</b>
<b>Pall</b>	<b>Replaces HC8200FKT8H</b>	<b>933365Q</b>
<b>Pall</b>	<b>Replaces HC8300FKN16H</b>	<b>PR2798Q</b>
Pall	Replaces HC8300FKN21H	937153Q
<b>Pall</b>	<b>Replaces HC8300FKN39H</b>	<b>932873Q</b>
<b>Pall</b>	<b>Replaces HC8300FKN8H</b>	<b>927861Q</b>
<b>Pall</b>	<b>Replaces HC8300FKP16H</b>	<b>PR3455Q</b>
<b>Pall</b>	<b>Replaces HC8300FKP39H</b>	<b>932872Q</b>
<b>Pall</b>	<b>Replaces HC8300FKP8H</b>	<b>927663Q</b>
<b>Pall</b>	<b>Replaces HC8300FKS16H</b>	<b>PR3456Q</b>
<b>Pall</b>	<b>Replaces HC8300FKS21H</b>	<b>937155Q</b>
<b>Pall</b>	<b>Replaces HC8300FKS26H</b>	<b>937156Q</b>
<b>Pall</b>	<b>Replaces HC8300FKS39H</b>	<b>932874Q</b>
<b>Pall</b>	<b>Replaces HC8300FKS8H</b>	<b>927661Q</b>
<b>Pall</b>	<b>Replaces HC8300FKT16H</b>	<b>933047Q</b>
<b>Pall</b>	<b>Replaces HC8300FKT21H</b>	<b>937157Q</b>
<b>Pall</b>	<b>Replaces HC8300FKT26H</b>	<b>937158Q</b>
<b>Pall</b>	<b>Replaces HC8300FKT39H</b>	<b>932875Q</b>
<b>Pall</b>	<b>Replaces HC8300FKT8H</b>	<b>929099Q</b>
Pall	Replaces HC8300FKZ16H	937159Q
Pall	Replaces HC8300FKZ39H	937160Q
Pall	Replaces HC8300FKZ8H	937161Q
Pall	Replaces HC8300FWT16H	937162Q
Pall	Replaces HC8300FWT39H	937163Q
Pall	Replaces HC8300FWT8H	937164Q
Pall	Replaces HC8304FKN16H	937165Q
Pall	Replaces HC8304FKN39H	937166Q
Pall	Replaces HC8304FKP16H	937167Q
Pall	Replaces HC8304FKP39H	937168Q
<b>Pall</b>	<b>Replaces HC8304FKS16H</b>	<b>937169Q</b>
<b>Pall</b>	<b>Replaces HC8304FKS39H</b>	<b>937170Q</b>

Filter Element Competitor	Filter Element Competitor Part Number	Parker Part Number
<b>Pall</b>	<b>Replaces HC8304FKT16H</b>	<b>937171Q</b>
<b>Pall</b>	<b>Replaces HC8304FKT39H</b>	<b>937172Q</b>
Pall	Replaces HC8314FKN16H	934309Q
Pall	Replaces HC8314FKN39H	934122Q
Pall	Replaces HC8314FKP16H	934308Q
Pall	Replaces HC8314FKP39H	934121Q
<b>Pall</b>	<b>Replaces HC8314FKS16H</b>	<b>934310Q</b>
<b>Pall</b>	<b>Replaces HC8314FKS39H</b>	<b>934123Q</b>
<b>Pall</b>	<b>Replaces HC8314FKT16H</b>	<b>934311Q</b>
<b>Pall</b>	<b>Replaces HC8314FKT39H</b>	<b>934124Q</b>
Pall	Replaces HC8400FKN16H	933759Q
Pall	Replaces HC8400FKN26H	933227Q
Pall	Replaces HC8400FKN39H	933090Q
Pall	Replaces HC8400FKN8H	933758Q
Pall	Replaces HC8400FKP16H	933776Q
Pall	Replaces HC8400FKP26H	933226Q
Pall	Replaces HC8400FKP39H	933089Q
Pall	Replaces HC8400FKP8H	933773Q
<b>Pall</b>	<b>Replaces HC8400FKS16H</b>	<b>933777Q</b>
<b>Pall</b>	<b>Replaces HC8400FKS26H</b>	<b>933228Q</b>
<b>Pall</b>	<b>Replaces HC8400FKS39H</b>	<b>933091Q</b>
<b>Pall</b>	<b>Replaces HC8400FKS8H</b>	<b>933774Q</b>
<b>Pall</b>	<b>Replaces HC8400FKT16H</b>	<b>933763Q</b>
<b>Pall</b>	<b>Replaces HC8400FKT26H</b>	<b>933229Q</b>
<b>Pall</b>	<b>Replaces HC8400FKT39H</b>	<b>933092Q</b>
<b>Pall</b>	<b>Replaces HC8400FKT8H</b>	<b>933775Q</b>
Pall	Replaces HC8500FKN13H	935176
Pall	Replaces HC8500FKN26H	935180
Pall	Replaces HC8500FKN8H	935172
Pall	Replaces HC8500FKP13H	935175
Pall	Replaces HC8500FKP26H	935179
Pall	Replaces HC8500FKP8H	935171
<b>Pall</b>	<b>Replaces HC8500FKS13H</b>	<b>935177</b>
<b>Pall</b>	<b>Replaces HC8500FKS26H</b>	<b>935181</b>
<b>Pall</b>	<b>Replaces HC8500FKS8H</b>	<b>935173</b>
<b>Pall</b>	<b>Replaces HC8500FKT13H</b>	<b>935178</b>
<b>Pall</b>	<b>Replaces HC8500FKT26H</b>	<b>935182</b>
<b>Pall</b>	<b>Replaces HC8500FKT8H</b>	<b>935174</b>
Pall	Replaces HC8700FKN4H	PR4454Q
Pall	Replaces HC8700FKN8H	PR4458Q
Pall	Replaces HC8700FKP4H	PR4453Q
Pall	Replaces HC8700FKP8H	PR4457Q
<b>Pall</b>	<b>Replaces HC8700FKS4H</b>	<b>PR4455Q</b>
<b>Pall</b>	<b>Replaces HC8700FKS8H</b>	<b>PR4459Q</b>
<b>Pall</b>	<b>Replaces HC8700FKT4H</b>	<b>PR4456Q</b>
<b>Pall</b>	<b>Replaces HC8700FKT8H</b>	<b>PR4460Q</b>
Pall	Replaces HC8800FKN13H	933378Q
Pall	Replaces HC8800FKN16H	933234Q
Pall	Replaces HC8800FKN8H	933377Q
Pall	Replaces HC8800FKP13H	930222Q
Pall	Replaces HC8800FKP16H	930226Q
Pall	Replaces HC8800FKP8H	930218Q
<b>Pall</b>	<b>Replaces HC8800FKS13H</b>	<b>930223Q</b>
<b>Pall</b>	<b>Replaces HC8800FKS16H</b>	<b>930227Q</b>
<b>Pall</b>	<b>Replaces HC8800FKS8H</b>	<b>930219Q</b>
<b>Pall</b>	<b>Replaces HC8800FKT13H</b>	<b>930224Q</b>
<b>Pall</b>	<b>Replaces HC8800FKT16H</b>	<b>930228Q</b>

## Hydraulic and Lubrication Interchangeable Element Range



### Part Numbers

Note: Bold and darker tint panel indicates the item is standard and available to order immediately.

Filter Element Competitor	Filter Element Competitor Part Number	Parker Part Number
Pall	Replaces HC8800FKT8H	930220Q
Pall	Replaces HC8900FKN13H	933203Q
Pall	Replaces HC8900FKN16H	933211Q
Pall	Replaces HC8900FKN26H	933219Q
Pall	Replaces HC8900FKN39H	937180Q
Pall	Replaces HC8900FKN8H	933194Q
Pall	Replaces HC8900FKP13H	933202Q
Pall	Replaces HC8900FKP16H	933210Q
Pall	Replaces HC8900FKP26H	933218Q
Pall	Replaces HC8900FKP39H	937181Q
Pall	Replaces HC8900FKP8H	933193Q
Pall	Replaces HC8900FKS13H	933204Q
Pall	Replaces HC8900FKS16H	933212Q
Pall	Replaces HC8900FKS26H	933220Q
Pall	Replaces HC8900FKS39H	937182Q
Pall	Replaces HC8900FKS8H	933195Q
Pall	Replaces HC8900FKT13H	933205Q
Pall	Replaces HC8900FKT16H	933213Q
Pall	Replaces HC8900FKT26H	933221Q
Pall	Replaces HC8900FKT39H	937183Q
Pall	Replaces HC8900FKT8H	933196Q
Pall	Replaces HC8904FKN13H	944067Q
Pall	Replaces HC8904FKN26H	944071Q
Pall	Replaces HC8904FKN39H	938315Q
Pall	Replaces HC8904FKN8H	944063Q
Pall	Replaces HC8904FKP13H	944066Q
Pall	Replaces HC8904FKP26H	944070Q
Pall	Replaces HC8904FKP39H	938314Q
Pall	Replaces HC8904FKP8H	944062Q
Pall	Replaces HC8904FKS13H	944068Q
Pall	Replaces HC8904FKS26H	944072Q
Pall	Replaces HC8904FKS39H	938316Q
Pall	Replaces HC8904FKS8H	944064Q
Pall	Replaces HC8904FKT13H	944069Q
Pall	Replaces HC8904FKT26H	944073Q
Pall	Replaces HC8904FKT39H	938317Q
Pall	Replaces HC8904FKT8H	944065Q
Pall	Replaces HC9020FKN4H	933239Q
Pall	Replaces HC9020FKN8H	933246Q
Pall	Replaces HC9020FKP4H	925582Q
Pall	Replaces HC9020FKP8H	925602Q
Pall	Replaces HC9020FKS4H	925580Q
Pall	Replaces HC9020FKS8H	925600Q
Pall	Replaces HC9020FKT4H	PR3444Q
Pall	Replaces HC9020FKT8H	PR3446Q
Pall	Replaces HC9020FKZ4H	937184Q
Pall	Replaces HC9021FKP4H	927725Q
Pall	Replaces HC9021FKP8H	927723Q
Pall	Replaces HC9021FKS4H	927696Q
Pall	Replaces HC9021FKT4H	928642Q
Pall	Replaces HC9021FKT8H	928643Q
Pall	Replaces HC9100FKN8H	938163Q
Pall	Replaces HC9100FKP8H	938162Q
Pall	Replaces HC9100FKS8H	938164Q
Pall	Replaces HC9100FKT8H	938165Q
Pall	Replaces HC9300FKN8H	935184
Pall	Replaces HC9300FKP8H	935183

Filter Element Competitor	Filter Element Competitor Part Number	Parker Part Number
Pall	Replaces HC9300FKN8H	935185
Pall	Replaces HC9300FKT8H	935186
Pall	Replaces HC9400FKN13H	929886Q
Pall	Replaces HC9400FKN26H	929892Q
Pall	Replaces HC9400FKN39H	933264Q
Pall	Replaces HC9400FKP13H	929884Q
Pall	Replaces HC9400FKP26H	929890Q
Pall	Replaces HC9400FKP39H	933263Q
Pall	Replaces HC9400FKS13H	929885Q
Pall	Replaces HC9400FKS26H	929891Q
Pall	Replaces HC9400FKS39H	933265Q
Pall	Replaces HC9400FKT13H	933253Q
Pall	Replaces HC9400FKT26H	933258Q
Pall	Replaces HC9400FKT39H	933266Q
Pall	Replaces HC9600FKN13H	926845Q
Pall	Replaces HC9600FKN16H	926890Q
Pall	Replaces HC9600FKN4H	926841Q
Pall	Replaces HC9600FKN8H	926843Q
Pall	Replaces HC9600FKP13H	926698Q
Pall	Replaces HC9600FKP16H	926699Q
Pall	Replaces HC9600FKP4H	PR3435Q
Pall	Replaces HC9600FKP8H	PR3436Q
Pall	Replaces HC9600FKS13H	926839Q
Pall	Replaces HC9600FKS16H	926888Q
Pall	Replaces HC9600FKS4H	PR3437Q
Pall	Replaces HC9600FKS8H	PR3438Q
Pall	Replaces HC9600FKT13H	930162Q
Pall	Replaces HC9600FKT16H	930164Q
Pall	Replaces HC9600FKT4H	PR3440Q
Pall	Replaces HC9600FKT8H	PR3441Q
Pall	Replaces HC9600FWT13H	937186Q
Pall	Replaces HC9601FKN8H	934194Q
Pall	Replaces HC9601FKP13H	927182Q
Pall	Replaces HC9601FKP16H	928143Q
Pall	Replaces HC9601FKP4H	927170Q
Pall	Replaces HC9601FKP8H	927176Q
Pall	Replaces HC9601FKS13H	937187Q
Pall	Replaces HC9601FKS16H	937188Q
Pall	Replaces HC9601FKS4H	937189Q
Pall	Replaces HC9601FKS8H	937190Q
Pall	Replaces HC9601FKT13H	927181Q
Pall	Replaces HC9601FKT16H	928142Q
Pall	Replaces HC9601FKT4H	927169Q
Pall	Replaces HC9601FKT8H	927175Q
Pall	Replaces HC9604FKN13H	937191Q
Pall	Replaces HC9604FKN16H	937192Q
Pall	Replaces HC9604FKN4H	937193Q
Pall	Replaces HC9604FKN8H	937194Q
Pall	Replaces HC9604FKP13H	937197Q
Pall	Replaces HC9604FKP16H	937198Q
Pall	Replaces HC9604FKP4H	937199Q
Pall	Replaces HC9604FKP8H	937200Q
Pall	Replaces HC9604FKS13H	937201Q
Pall	Replaces HC9604FKS16H	937202Q
Pall	Replaces HC9604FKS4H	937203Q
Pall	Replaces HC9604FKS8H	937204Q
Pall	Replaces HC9604FKT13H	937205Q

## Hydraulic and Lubrication Interchangeable Element Range

### Part Numbers

Note: Bold and darker tint panel indicates the item is standard and available to order immediately.

Filter Element Competitor	Filter Element Competitor Part Number	Parker Part Number
Pall	Replaces <b>HC9604FKT16H</b>	<b>937206Q</b>
Pall	Replaces <b>HC9604FKT4H</b>	<b>937207Q</b>
Pall	Replaces <b>HC9604FKT8H</b>	<b>937208Q</b>
Pall	Replaces <b>HC9650FKN13H</b>	<b>937209Q</b>
Pall	Replaces <b>HC9650FKN16H</b>	<b>926994Q</b>
Pall	Replaces HC9650FKN4H	937210Q
Pall	Replaces <b>HC9650FKN8H</b>	<b>926988Q</b>
Pall	Replaces HC9650FKP13H	937211Q
Pall	Replaces <b>HC9650FKP16H</b>	<b>926998Q</b>
Pall	Replaces HC9650FKP4H	937212Q
Pall	Replaces <b>HC9650FKP8H</b>	<b>926992Q</b>
Pall	Replaces <b>HC9650FKS13H</b>	<b>937213Q</b>
Pall	Replaces <b>HC9650FKS16H</b>	<b>926996Q</b>
Pall	Replaces <b>HC9650FKS4H</b>	<b>937214Q</b>
Pall	Replaces <b>HC9650FKS8H</b>	<b>926990Q</b>
Pall	Replaces <b>HC9650FKT13H</b>	<b>937215Q</b>
Pall	Replaces <b>HC9650FKT16H</b>	<b>933302Q</b>
Pall	Replaces <b>HC9650FKT4H</b>	<b>937216Q</b>
Pall	Replaces <b>HC9650FKT8H</b>	<b>933295Q</b>
Pall	Replaces HC9651FKN16H	937217Q
Pall	Replaces HC9651FKN8H	937218Q
Pall	Replaces <b>HC9651FKP16H</b>	<b>928156Q</b>
Pall	Replaces <b>HC9651FKP8H</b>	<b>928152Q</b>
Pall	Replaces <b>HC9651FKS16H</b>	<b>937219Q</b>
Pall	Replaces <b>HC9651FKS8H</b>	<b>937220Q</b>
Pall	Replaces <b>HC9651FKT16H</b>	<b>928154Q</b>
Pall	Replaces <b>HC9651FKT8H</b>	<b>928150Q</b>
Pall	Replaces HC9700FKN18H	932678Q
Pall	Replaces HC9700FKN27H	933487Q
Pall	Replaces HC9700FKN9H	932669Q
Pall	Replaces HC9700FKN9H	HF41L5VQ
Pall	Replaces HC9700FKP18H	932677Q
Pall	Replaces HC9700FKP27H	933486Q
Pall	Replaces HC9700FKP9H	932668Q
Pall	Replaces HC9700FKP9H	HF41L3VQ
Pall	Replaces <b>HC9700FKS18H</b>	<b>932679Q</b>
Pall	Replaces <b>HC9700FKS27H</b>	<b>933488Q</b>
Pall	Replaces <b>HC9700FKS9H</b>	<b>932670Q</b>
Pall	Replaces HC9700FKS9H	HF41L10VQ
Pall	Replaces <b>HC9700FKT18H</b>	<b>931020Q</b>
Pall	Replaces <b>HC9700FKT27H</b>	<b>933489Q</b>
Pall	Replaces <b>HC9700FKT9H</b>	<b>931018Q</b>
Pall	Replaces HC9700FKT9H	HF41L20VQ
Pall	Replaces <b>HC9800FKN13H</b>	<b>933784Q</b>
Pall	Replaces <b>HC9800FKN4H</b>	<b>930197Q</b>
Pall	Replaces <b>HC9800FKN8H</b>	<b>930198Q</b>
Pall	Replaces <b>HC9800FKP13H</b>	<b>933782Q</b>
Pall	Replaces <b>HC9800FKP4H</b>	<b>930189Q</b>
Pall	Replaces <b>HC9800FKP8H</b>	<b>930192Q</b>
Pall	Replaces <b>HC9800FKS13H</b>	<b>933786Q</b>
Pall	Replaces <b>HC9800FKS4H</b>	<b>930190Q</b>
Pall	Replaces <b>HC9800FKS8H</b>	<b>930193Q</b>
Pall	Replaces <b>HC9800FKT13H</b>	<b>933788Q</b>
Pall	Replaces <b>HC9800FKT4H</b>	<b>930191Q</b>
Pall	Replaces <b>HC9800FKT8H</b>	<b>930194Q</b>
Pall	Replaces <b>HC9801FKP13H</b>	<b>PR2759Q</b>
Pall	Replaces <b>HC9801FKP4H</b>	<b>935191Q</b>

Filter Element Competitor	Filter Element Competitor Part Number	Parker Part Number
Pall	Replaces <b>HC9801FKP8H</b>	<b>935193Q</b>
Pall	Replaces HC9801FKP8Z	935193
Pall	Replaces <b>HC9801FKS13H</b>	<b>937221Q</b>
Pall	Replaces <b>HC9801FKS4H</b>	<b>937222Q</b>
Pall	Replaces <b>HC9801FKS8H</b>	<b>937223Q</b>
Pall	Replaces <b>HC9801FKT13H</b>	<b>PR2760Q</b>
Pall	Replaces <b>HC9801FKT4H</b>	<b>935192Q</b>
Pall	Replaces <b>HC9801FKT8H</b>	<b>935194Q</b>
Pall	Replaces <b>HC9801FKT8Z</b>	<b>935194</b>
Pall	Replaces HC9901FKP13H	935195
Pall	Replaces HC9901FKP26H	935197
Pall	Replaces HC9901FKP39H	935199
Pall	Replaces <b>HC9901FKT13H</b>	<b>935196</b>
Pall	Replaces <b>HC9901FKT26H</b>	<b>935198</b>
Pall	Replaces <b>HC9901FKT39H</b>	<b>935200</b>
Pall	Replaces WR8900FON26H	939300Q
Pall	Replaces HC9100FKN13H	944094Q
Pall	Replaces HC9100FKP13H	944093Q
Pall	Replaces HC9100FKS13H	944095Q
Pall	Replaces HC9100FKT13H	944096Q
Pall	Replaces HC9101FKN8H	944087Q
Pall	Replaces HC9101FKP8H	944086Q
Pall	Replaces HC9101FKS8H	944088Q
Pall	Replaces HC9101FKT8H	944089Q
PTI	Replaces F4E-030-BC-B	926543
PTI	Replaces F4E-050-CC-B	926169
PTI	Replaces F4E-051-CC-B	927147
PTI	Replaces F4E-051-DC-B	927148
PTI	Replaces P83-100-EF-B	929103
PTI	Replaces P83-150-EF-B	929109
PTI	Replaces P83-250-EF-B	932006
PTI	Replaces PG-015-GH	935217
PTI	Replaces PG-015-GU	935220
PTI	Replaces PG-015-HH	935218
PTI	Replaces PG-015-HU	935221
PTI	Replaces PG-015-JH	935219
PTI	Replaces PG-015-JU	935222
PTI	Replaces PG-025-GH	935223
PTI	Replaces PG-025-GU	935226
PTI	Replaces PG-025-HH	935224
PTI	Replaces PG-025-HU	935227
PTI	Replaces PG-025-JH	935225
PTI	Replaces PG-025-JU	935228
PTI	Replaces PG-030-GH	935229
PTI	Replaces PG-030-GU	935232
PTI	Replaces PG-030-HH	935230
PTI	Replaces PG-030-HU	935233
PTI	Replaces PG-030-JH	935231
PTI	Replaces PG-030-JU	935234
PTI	Replaces PG-050-GH	935235
PTI	Replaces PG-050-GU	935238
PTI	Replaces PG-050-HH	935236
PTI	Replaces PG-050-HU	935239
PTI	Replaces PG-050-JH	935237
PTI	Replaces PG-050-JU	935240
PTI	Replaces PG-080-GH	935241
PTI	Replaces PG-080-GU	935244

## Hydraulic and Lubrication Interchangeable Element Range



### Part Numbers

Note: Bold and darker tint panel indicates the item is standard and available to order immediately.

Filter Element Competitor	Filter Element Competitor Part Number	Parker Part Number
PTI	Replaces PG-080-HH	935242
PTI	Replaces PG-080-HU	935245
PTI	Replaces PG-080-JH	935243
PTI	Replaces PG-080-JU	935246
PTI	Replaces PG-120-GH	935247
PTI	Replaces PG-120-GU	935250
PTI	Replaces PG-120-HH	935248
PTI	Replaces PG-120-HU	935251
PTI	Replaces PG-120-JH	935249
PTI	Replaces PG-120-JU	935252
Schroeder	Replaces 7EZ10	936738
Schroeder	Replaces 8T10	930114
Schroeder	Replaces A10	926567
Schroeder	Replaces A25	926568
Schroeder	Replaces A3	926566
Schroeder	Replaces AAS25	935117
Schroeder	Replaces AAS7	935116
Schroeder	Replaces AAZ3	935115
Schroeder	Replaces AS25	935114
Schroeder	Replaces AZ10	935113
Schroeder	Replaces AZ3	935112
Schroeder	Replaces BBZ10	935122
Schroeder	Replaces BBZ25	935123
Schroeder	Replaces BBZ3/BBZ5	935121
Schroeder	Replaces CCZ10	935128
Schroeder	Replaces CCZ25	935129
Schroeder	Replaces CCZ3	935127
Schroeder	Replaces CCZX3	934978
Schroeder	Replaces CZ10	935125
Schroeder	Replaces CZ25	935126
Schroeder	Replaces CZ3	935124
Schroeder	Replaces DDS25	935135
Schroeder	Replaces DDS7	935134
Schroeder	Replaces DDZ3	935133
Schroeder	Replaces DS25	935132
Schroeder	Replaces DS3	935130
Schroeder	Replaces DS7	935131
Schroeder	Replaces J10	926557
Schroeder	Replaces J25	926558
Schroeder	Replaces J3	926556
Schroeder	Replaces JZ10	935137
Schroeder	Replaces JZ25	935138
Schroeder	Replaces JZ3	935136
Schroeder	Replaces K10	925520
Schroeder	Replaces K25	925773
Schroeder	Replaces K3	925772
Schroeder	Replaces KM74	925776
Schroeder	Replaces KXS3	932674Q
Schroeder	Replaces KW	930156
Schroeder	Replaces KZX10	932676Q
Schroeder	Replaces N10	936178
Schroeder	Replaces NNZX3	941461
Schroeder	Replaces SKB-1	936547
Schroeder	Replaces SKB-1 1/4	936548
Schroeder	Replaces SKB-2	936550
Schroeder	Replaces SKB-3	936551
Schroeder	Replaces 39QM150V	941697
Schroeder	Replaces 39QM60V	941698
Schroeder	Replaces 9V5Z10	941724Q
Schroeder	Replaces KM25	941723
Schroeder	Replaces NNZX25	941725Q
Separation Technologies	Replaces ST6504	929323
Separation Technologies	Replaces ST6505	929324
Separation Technologies	Replaces ST6728	929310
Separation Technologies	Replaces ST6729	929322
Separation Technologies	Replaces ST7040	925582
Separation Technologies	Replaces ST7043	925385
Separation Technologies	Replaces ST7047	925394
Separation Technologies	Replaces ST7338	925792
Separation Technologies	Replaces ST7339	925793
Separation Technologies	Replaces ST7708	901106
Separation Technologies	Replaces ST7709	901473

Filter Element Competitor	Filter Element Competitor Part Number	Parker Part Number
Separation Technologies	Replaces ST7710	901493
Separation Technologies	Replaces ST7711	901494
Separation Technologies	Replaces ST7712	901535
Separation Technologies	Replaces ST7713	901536
Separation Technologies	Replaces ST7714	901619
Separation Technologies	Replaces ST7715	901620
Separation Technologies	Replaces ST7717	901826
Separation Technologies	Replaces ST7718	901856
Separation Technologies	Replaces ST7719	901857
Separation Technologies	Replaces ST7720	906460
Separation Technologies	Replaces ST7721	906461
Separation Technologies	Replaces ST7722	907088
Separation Technologies	Replaces ST7723	907090
Separation Technologies	Replaces ST7726	908642
Separation Technologies	Replaces ST7727	908643
Separation Technologies	Replaces ST7730	909293
Separation Technologies	Replaces ST7732	909299
Separation Technologies	Replaces ST7733	920022
Separation Technologies	Replaces ST7734	920523
Separation Technologies	Replaces ST7735	921085
Separation Technologies	Replaces ST7737	922623
Separation Technologies	Replaces ST7740	922627
Separation Technologies	Replaces ST7741	922661
Separation Technologies	Replaces ST7742	922671
Separation Technologies	Replaces ST7743	922785
Separation Technologies	Replaces ST7745	922789
Separation Technologies	Replaces ST7746	922793
Separation Technologies	Replaces ST7747	922932
Separation Technologies	Replaces ST7748	922933
Separation Technologies	Replaces ST7749	922938
Separation Technologies	Replaces ST7750	922955
Separation Technologies	Replaces ST7751	922972
Separation Technologies	Replaces ST7752	922973
Separation Technologies	Replaces ST7753	922978
Separation Technologies	Replaces ST7754	922991
Separation Technologies	Replaces ST7755	922993
Separation Technologies	Replaces ST7756	923007
Separation Technologies	Replaces ST7757	923008
Separation Technologies	Replaces ST7758	923009
Separation Technologies	Replaces ST7759	923012
Separation Technologies	Replaces ST7760	923013
Separation Technologies	Replaces ST7761	923035
Separation Technologies	Replaces ST7762	923041
Separation Technologies	Replaces ST7763	923047
Separation Technologies	Replaces ST7765	924448
Separation Technologies	Replaces ST7770	924455
Separation Technologies	Replaces ST7771	924456
Separation Technologies	Replaces ST7772	924500
Separation Technologies	Replaces ST7773	924730
Separation Technologies	Replaces ST7775	924734
Separation Technologies	Replaces ST7777	924738
Separation Technologies	Replaces ST7778	924739
Separation Technologies	Replaces ST7779	924790
Separation Technologies	Replaces ST7785	924797
Separation Technologies	Replaces ST7786	924798
Separation Technologies	Replaces ST7787	925036
Separation Technologies	Replaces ST7788	925037
Separation Technologies	Replaces ST7790	925052
Separation Technologies	Replaces ST7791	925572
Separation Technologies	Replaces ST7792	925576
Separation Technologies	Replaces ST7794	925771
Separation Technologies	Replaces ST7795	925835
Separation Technologies	Replaces ST7799	926856
Separation Technologies	Replaces ST7800	927092
Separation Technologies	Replaces ST7801	927093
Separation Technologies	Replaces ST7802	927267
Separation Technologies	Replaces ST7803	927268
Separation Technologies	Replaces ST7804	927269
Separation Technologies	Replaces ST7805	927584
Separation Technologies	Replaces ST7807	932634Q
Separation Technologies	Replaces ST7809	932636Q
Separation Technologies	Replaces ST7810	987141

# Marine PAR◇FIT™

Interchangeable Element Range



## The marine replacement solution

New to the **PAR◇FIT™** family is a range of Marine Parfit Elements for a number of the most popular marine element competitors. Every Marine **PAR◇FIT™** element is manufactured in Europe to the highest standards and is backed by our unrivalled technical support.

You can reduce stockholdings, cut costs and be sure of the ultimate performance. Parfit filters are available from ParkerStores and authorised distributors throughout Europe.

[www.parker.com/parfit](http://www.parker.com/parfit)  
[www.parkerhfde.com/parfit](http://www.parkerhfde.com/parfit)



## Contact Information: Typical Applications:

Parker Hannifin  
**Hydraulic Filter Division Europe**

**European Product  
Information Centre**  
**Freephone: 00800 27 27 5374**  
**(from AT, BE, CH, CZ, DE, EE, ES,  
FI, FR, IE, IT, PT, SE, SK, UK)**  
**[filtrationinfo@parker.com](mailto:filtrationinfo@parker.com)**

[www.parkerhfde.com](http://www.parkerhfde.com)

- Industrial power units
- Central lubrication systems
- Diesel engine lubrication
- Marine fuel systems
- Power plants
- Gearboxes
- Wind turbines

FEATURES	ADVANTAGES	BENEFITS
Microglass III replacement elements	Multi-layered design producing high dirt holding capacity and high efficiency	Great performance value
	Wire support reduces pleat bunching and keeps performance consistent	Reliable performance throughout element life
		Reduces downtime and maximizes element life
Coreless Ecoglass III replacement elements	No metal content in element	Environmentally friendly disposal by incineration
	Reduced overall weight of 50%	Lower element replacement costs
	Easy compaction of used elements	Lower disposal costs
	Eco adaptors available	Retrofit coreless design to housings already installed
Complete performance data disclosure	All pertinent information is provided in an easy to compare format	No hidden deficiencies
		Easy selection of correct interchange part number
Elements manufactured to exacting standards of original elements	Performance guarantee as good if not better than original fit	Durable, rugged and reliable construction with high quality standards



Filter Element Competitor	Filter Element Competitor Part Number	Parker Part Number
Boll and Kirch	1143103	939319Q
Boll and Kirch	1174632 (11843 GEW.300/250 h=230, 37um)	939317Q
Boll and Kirch	1174804 (11843 GEW.300/40)	939312Q
Boll and Kirch	1179995 (11844 GEW.300/40)	939311Q
Boll and Kirch	1340006 (660-63 filter candle pleated 10 um)	939307Q
Boll and Kirch	1340009 (250-40 filter candle 25 um)	939305Q
Boll and Kirch	1340079 (294-31 filter candle 34 um)	939306Q
Boll and Kirch	1940971 (11443 GEW.324/34)	939310Q
Boll and Kirch	1940990 (11513 GEW.275/34)	939309Q
Boll and Kirch	1942562 (11445 GEW.155/100)	939318Q
Boll and Kirch	1943048 (11531 GEW.205/34)	939308Q
Boll and Kirch	1945279 (11531 GEW.205/40)	939314Q
Boll and Kirch	1946344 (11445 GEW.155/40)	939313Q
Boll and Kirch	1947342 (Ø=85, h=244, 40um)	939316Q
Boll and Kirch	1949798 (Ø=85, h=195, 40um)	939315Q
Boll and Kirch	7605706 (Flushing oil element 6.61.07 GR10-15, h=508+36)	939329Q
Boll and Kirch	7608089 (Flushing oil element 6.61.07 GR20, h=760+36)	939330Q

More part numbers on the next page.

# Marine PAR FIT™

Filter Element Competitor	Filter Element Competitor Part Number	Parker Part Number
Mann and Hummel	BF-1018/1	939332Q
Mann and Hummel	H-1081	939321Q
Mann and Hummel	H-12178	939323Q
Mann and Hummel	H-12225	939324Q
Mann and Hummel	H-15111/2	939338Q
Mann and Hummel	H-15190	939331Q
Mann and Hummel	H-15222/2	939333Q
Mann and Hummel	H-18300	939327Q
Mann and Hummel	H-20211	939335Q
Mann and Hummel	H-25444	939334Q
Mann and Hummel	H-25595	939326Q
Mann and Hummel	H-25669	939325Q
Mann and Hummel	H-28545	939336Q
Mann and Hummel	H-601/4	939320Q
Mann and Hummel	H-930	939328Q
Mann and Hummel	P-19185	939337Q
Pall	HC8300FKN16H	PR2798Q
Pall	HC8300FKN26H	939340Q
Pall	HC8300FKN39H	932873Q
Pall	HC8300FKP16H	PR3455Q
Pall	HC8300FKP26H	939339Q
Pall	HC8300FKP39H	932872Q
Pall	HC8300FKS16H	PR3456Q
Pall	HC8300FKS26H	937156Q
Pall	HC8300FKS39H	932874Q
Pall	HC8300FKT16H	933047Q
Pall	HC8300FKT26H	937158Q
Pall	HC8300FKT39H	932875Q
Pall	HC8304FKN16H	937165Q
Pall	HC8304FKN39H	937166Q
Pall	HC8304FKP16H	937167Q
Pall	HC8304FKP39H	937168Q
Pall	HC8304FKS16H	937169Q
Pall	HC8304FKS39H	937170Q
Pall	HC8304FKT16H	937171Q
Pall	HC8304FKT39H	937172Q
Vokes	B-62982	939303Q
Vokes	B-6358174	939301Q
Vokes	C-6352910	939322Q
Vokes	C-6360352	939304Q
Vokes	C-F7	939302Q



# The Par-Gel™ Filter

Water Removal Filter Elements



## Stopping free water causing system damage

### Increases system efficiency and machine productivity

The Par-Gel™ filter elements are an effective tool in controlling water related problems in hydraulic power and lubrication systems. Increases system efficiency and machine productivity and reduces the chance of catastrophic system failure.



## Contact Information:

Parker Hannifin  
**Hydraulic Filter Division Europe**

**European Product  
Information Centre**  
Freephone: 00800 27 27 5374  
(from AT, BE, CH, CZ, DE, EE, ES,  
FI, FR, IE, IT, PT, SE, SK, UK)  
filtrationinfo@parker.com

[www.parkerhfde.com](http://www.parkerhfde.com)

## Product Features:

- Par-Gel™ elements control water related problems in hydraulic power and lubrication systems.
- Helps reduce component wear and system downtime.
- Increases system efficiency and machine productivity.
- Reduces the chance of catastrophic system failure.

# The Par-Gel™ Filter

## Water Removal Filter Elements

**Par-Gel™ filter elements are an effective tool in controlling water related problems in hydraulic power and lubrication systems.**

There is more to proper fluid maintenance than just removing particulate matter. You need to remove water as well. Parker has developed Par-Gel water removal elements to be used in combination with particulate filters to provide significant benefits.

- Less component wear, consequently less component generated contaminants.
- Significant reduction of costly downtime and replacement of failed components.
- Increased efficiency of the system, thereby improving machine productivity.
- Less frequent replacement and disposal of contaminated fluid.
- Reduced chance of catastrophic failure.



### **Water as a contaminant.**

Whether you used a mineral-base or synthetic fluid, each will have a water saturation point. Above this point, the fluid cannot dissolve or hold any more water. This excessive water is referred to as 'free' or emulsified water. As little as .03% (300 ppm) by volume can saturate an hydraulic fluid. Many mineral-base and synthetic fluids, unless specifically filtered or treated in some way, will contain levels of water above their saturation point.

### **Water is everywhere!**

*Storage and handling.* Fluids are constantly exposed to water and water vapour while being handled and stored. For instance, outdoor storage of tanks and drums is common. Water settles on top of tanks and drums and infiltrates the container, or is introduced when the container is opened to add or remove fluid.

*In-service.* Water can get into the system via worn cylinder and actuator seals, or through reservoir openings. Water can come into contact with these entry points through water based cutting fluids or when water and/or steam are used for cleaning.

## Specification



Condensation is also a prime water source. As fluid cools in a reservoir, the temperature drop condenses water vapour on interior surfaces, which in turn causes rust. Rust scale in the reservoir eventually becomes particulate contamination in the system.

### Microbial growth as a contaminant.

Once water enters a system, growth of micro-organisms begins. Since water is one of the end products of the breakdown of hydrocarbon fluid, once started, the process is somewhat self-sustaining.

Slime is evidence of microbial growth, as is the apparent increase in viscosity of the fluid, obnoxious odour and discoloured fluid. The results are: short fluid life, degraded surface finish and rapid corrosion.

### Water generated damage and operating problems.

- Corrosion
- Accelerated abrasive wear
- Bearing fatigue
- Additive breakdown
- Increased acid level
- Viscosity variance
- Electrical conductivity
- Forms of water in fluid
- Dissolved water – below saturation point
- Free water – emulsified or in droplets\*.

Water in the system creates oxides, slimes and resins. Corrosion is an obvious by-product and creates further contaminants in the system.

The effect is compounded, as you now have both particulate contaminant and water working together.

The particulate contamination can be as simple as rust flaking from reservoir walls. Anti-wear additives break down in the presence of water and form acids. The combination of water, heat and dissimilar metals encourages galvanic action. Pitted and corroded metal surfaces and finishes result.

Further complications occur as temperature drops and the fluid has less ability to hold water. As the freeze point is reached, ice crystals form, adversely affecting total system function. Operating functions may become slowed or erratic.

Electrical conductivity becomes a problem when water contamination weakens insulating properties of fluid (decreases dielectric kV strength).

### Testing your fluid for water.

A simple 'crackle test' will tell you if there is water in your fluid. Simply take a metal dish or spoon with a small amount of fluid. Apply a flame under the container with a match. If bubbles rise and 'crackle' from the point of applied heat, you have free water.



*ParTest*<sup>™</sup> fluid analysis. For complete analysis, Parker offers Par-Test fluid analysis. Your Parker representative can supply you with a fluid container, mailing carton and appropriate forms to identify your fluid and its use. An independent lab performs complete spectrometric analysis, particle counts, viscosity and water content.

Results are sent directly to the requester.

\* Excessive free water must be removed from the system before filtering is attempted. In systems with gross amounts of water (1% to 2% by volume), settling or vacuum dehydration should be considered before using Par-Gel filter elements.

# The Par-Gel™ Filter

## Water Removal Filter Elements

### Features & Benefits

#### Removing water.

Using a Par-Gel water removal element is an effective way of removing free water contamination from your hydraulic system. It is highly effective at removing free water from mineral-base and synthetic fluids.

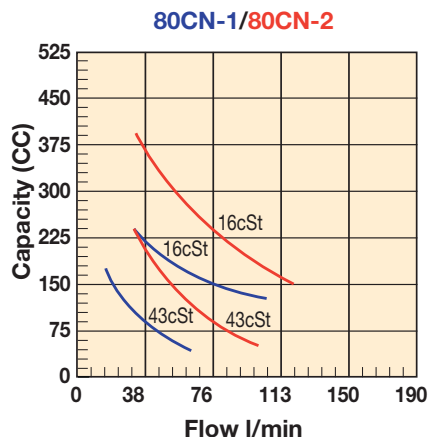
The Par-Gel filter media is a highly absorbent copolymer laminate with an affinity for water. However, hydraulic or lubrication fluid passes freely through it and the water is bonded to the filter media.



Photo above shows 'dry' Par-Gel filter media and the same media swollen with absorbed water.

#### Parker technology and expertise at your disposal.

Choosing the correct filters can save money and minimise problems caused by particulate and water contaminants in hydraulic and lubricating fluids. Parker provides hard data and advice on choosing from a wide range of filter configurations, flow patterns and flow pressure capabilities.



#### How many filter elements will I need?

Suppose you would like to remove water from contaminated oil stored in a 750 litre tank. The tank is found to have 1000 ppm of water (very contaminated). The circulation rate will be 40 lpm for the 40cSt fluid.

Example: How many single length Modulflow™ elements will be needed to reduce the water to normal saturation levels. To find the answer, use the conversion charts and capacity curves for the Modulflow element.

- 1000 ppm start – 300 ppm finish = 700 ppm removed
- 700 ppm water x 0.0001 = .07%  
.07% x 750 litres = 0.53 litres water total
- Capacity = 80cc at 40cSt & 40 lpm to pressure drop of 1.7 bar.  
80cc per element x 0.0001 litres per cc = 0.08 litres per element
- $\frac{0.53 \text{ litres total water}}{0.08 \text{ lpm/element}} = 7 \text{ elements}^*$

\* The replacement value of this fluid may range from €1500.00 to €4500.00 (€0.50 to €1.25 litre). An estimated element cost of €150.00 each, the saving could be as much as €3000.00!

Using Par-Gel filter elements saves money in fluid and replacement component costs. Also, the frequency of fluid disposal and the problems associated with it are greatly reduced.

*Filter capacity.* There are no accepted and approved water capacity testing or reporting standards. Consequently, there is virtually no way to compare one element capacity with another. It is also difficult to simulate a specific application in testing... making it hard to predict field performance.

Why the discrepancies? Water removal media capacity is the result of the interplay of four variables: flow rate, viscosity, bypass setting and the media itself.

Here's an example: two identical elements, testing the same fluid, varying only the flow rate.

This is a 15% reduction in capacity, due to changing only the flow rate! Now, look at what happens when the test flow rate is the same and the viscosity is changed.

	Element A	Element A'
Flow rate:	11 lpm	38 lpm
Viscosity:	15 cSt	15 cSt
Test capacity:	425 ml	360 ml

Twice the capacity can be achieved just by manipulating the test viscosity!

	Element B	Element B'
Flow rate:	76 lpm	76 lpm
Viscosity:	40 cSt	15 cSt
Test capacity:	250 ml	550 ml

Naturally, having a lower bypass valve setting limits the capacity. Since the life of the element is measured in pressure drop, using higher bypass valve settings will increase apparent life (all other conditions equal).

We recommend 1.7 bar bypass valves to get adequate life from Par-Gel filter elements.

Capacity also depends on the media itself. That's why Parker spent two years researching the media used in Par-Gel filter elements. We tested all known media, and worked closely with our suppliers to achieve maximum water absorbency.

## Specification

### How we report:

Our goal is to give our customers usable data. Why show test results at a lower viscosity (13cSt for example), if the typical application uses 41cSt fluid? So, we report at 41cSt to give typical field application capacity, and 15cSt for competitive comparisons. But keep in mind when comparing, you still have to consider flow rate.

### What it all means:

You deserve to know how an element will work for you in your applications. So, we test and report our data in such a way that it helps you predict element performance and life.

Be wary of claims that say... "this element holds one litre (or 5 litres) of water". What was the test flow rate? fluid viscosity? bypass valve setting? Was it run as a 'single pass' or 'multipass' test?

Rely on Parker to give you the facts and data you need. Our goal is to better protect your systems and components...and we start up-front by telling you what you need to know.

Is there any other way to do business?

### Add it all up.

Broad selection, competitive prices, off-the-shelf availability, on-time delivery, high-efficiency filter media, reduced system contaminant and longer component life. When you add it all up, we think you'll agree...

### Conversion Factors

If you have:	Multiply by:	To get:
mg/l	0.00009	%
ppm	0.0001	%
ml	1.0	cc
gallons	4.54	litres

### Typical Saturation Points

Fluid type	PPM	%
Hydraulic	300	0.03
Lubrication	400	0.04
Transformer	50	0.005

**Parker Par-Gel water removal filter elements are available in these standard Parker filter housings:**

Fluid model series	Length	Element part number
40CN-1	Single	931412
40CN-2	Double	931414
80CN-1	Single	931416
80CN-2	Double	931418
Guardian®	Single	932019
Moduflow RFP 2-2 (10MFP)	Double	940734

## Ideal Applications for Par-Gel filter elements



Guardian® Portable Filtration System



Filtration Trolley



# Co-Polymer and Steel Reservoirs

Hydraulic Reservoir Solutions



## Tailormade solutions for reservoirs

### Supporting hydraulic system designers with reservoir solutions

Parker hydraulic tank solutions apply to a wide variety of applications. Co-Polymer tanks that provide a unique potential to be 'designed to fit' an individual application and cost saving steel reservoir solutions developed to withstand extreme conditions.



## Contact Information:

Parker Hannifin  
**Hydraulic Filter Division Europe**

**European Product  
Information Centre**  
Freephone: 00800 27 27 5374  
(from AT, BE, CH, CZ, DE, EE, ES,  
FI, FR, IE, IT, PT, SE, SK, UK)  
filtrationinfo@parker.com

[www.parkerhfde.com](http://www.parkerhfde.com)

## Product Features:

- Parker hydraulic tank solutions apply to a wide variety of applications.
- Co-Polymer tank designs to meet OEM requirements.
- Cost-saving and quality steel tanks.
- On-board, integrated breathers, filters and level indicators.

# Co-Polymer and Steel Reservoirs

## Hydraulic Reservoir Solutions

### Features & Benefits

**Parker hydraulic tank solutions are applied to a wide variety of markets**

Hyd. & lube oil filtration	Co-polymer tanks	Steel tanks
Agriculture	X	X
Construction equipment	X	X
Marine		X
Material handling	X	
Mining		X
Road building equipment	X	X
Transportation	X	X
Waste management / Environmental control	X	X

### An introduction to Parker Hydraulic Reservoir Solutions

Parker's experience in designing fluid power equipment will help a system designer to save costs at every stage of hydraulic system development.



Co-polymer tank example

Original Equipment Manufacturers are continually looking to reduce manufacturing costs and increase operating efficiency and it's here that Parker Hannifin's European Filtration Division offers complete solutions. Beside high quality steel tanks supplied by Parker and featured in this brochure, Parker also designs and supplies revolutionary, lightweight co-polymer reservoirs with tank top mounted or integrated filter and tank air filter options.



Steel tank example

Both tank types can typically represent a significant contribution to cost savings. Because of the differing features and benefits between the metal and co-polymer tanks, Parker is able to offer customers the most appropriate tank concept to meet their specific requirements.

### Saving costs with complete Parker Hydraulic Tank Solutions

- A partnership in supply chain management reduces costs
- An integration of reservoir functions
- Reduction of component parts
- Integrated hydraulic filter and air filter benefits
- Integrated oil level measurement benefits
- Standard & customised solutions offered
- Flexibility related to shape & dimension of each tank
- Leak-proof connections
- Patented element for guaranteed quality filtration

### Typical Applications

#### Unique tank solutions designed to meet customer needs

Today Parker steel tank solutions are typically applied to commercial vehicle applications for example waste management and the transportation market. Customers manufacturing hook-arm systems, truck manufacturing or vehicle body builders are further examples of potential customers for a complete steel tank assembly.

A more common use of co-polymer tanks can be seen in materials handling equipment, agricultural and construction equipment markets. Typical applications are warehouse trucks, smaller sized wheeled loaders, telescopic handlers, dumpers, mini excavators and agricultural machinery.

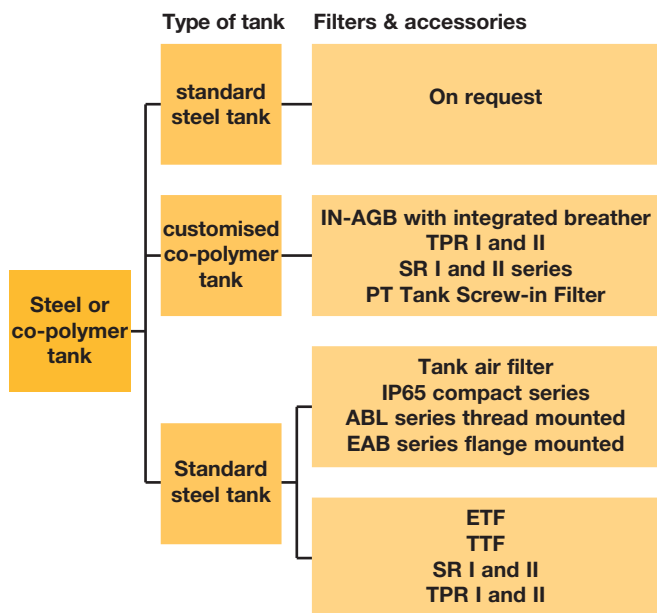


with the courtesy of Grove



## Specifications

### Product Architecture



Example of co-polymer tank with top mounted filters and air filters



Co-polymer tank with integrated breather and IN-AGB filter



Steel tank with integrated options

Design aspects	Co-polymer reservoir	Steel reservoir
Complicated shapes	X	
Styling of reservoir meets overall styling of vehicle	X	
Weight reduction	X	
Long-term temperatures Tmin< -30°C or Tmax> +120°C	(depends of material properties)	X
High mechanical load on tank (tank contributes to strength of chassis)		X
All-in-one concept	X	
High level of tank Pressurisation		X
Suitable for heavy duty equipment	X	X

Design note: All customised tanks are engineered solutions based on detailed analysis of customer requirements and specifications. Detailed knowledge of co-polymer materials, implies that customised materials can be made available to meet specific demands. Depending on technical and commercial requirements, Parker is able to advise each customer individually, about the most suitable and economical reservoir solution, made from co-polymer or steel.

# Co-Polymer Reservoirs

## Hydraulic Reservoir Solutions

### Features, Benefits & Specifications

#### Where a tailormade tank design is the solution

The lightweight co-polymer tank is an all-in-one solution that keeps in mind a customer's specific design requirements. Each tank is unique in terms of shape, dimensions and integrated functions. It is equipped with an integrated tank top mounted return line filter and tank air filter. All filters and air filters are supplied as standard with the patented, environmentally friendly LEIF® element.

#### Reliable connections

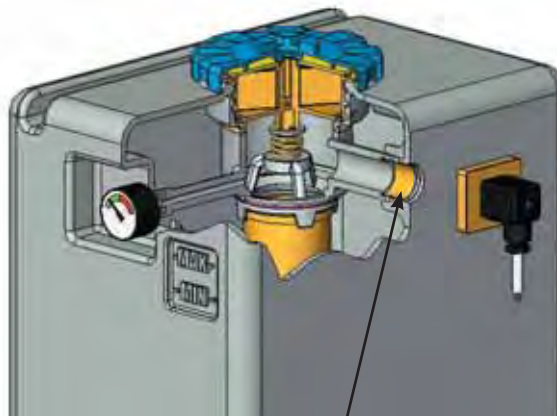
Reliable, leak-proof connections have always been a critical aspect for co-polymer tanks. Parker has developed a technology using metal attachment components. All metal attachment components are moulded in with the co-polymer tank wall, ensuring a reliable, leak-proof connection between the tank and the components that are attached to it.



*Parker Filtration has designed high tech sealing solutions for tank top mounted filters.*

These attached connections (e.g. a suction connection for pumps, drains, vents, or a filler opening) can easily be achieved, as well as providing indications for minimum and maximum oil levels. Metal attachment connections can be made available for hose couplings, a flange attachment or thread attachment.

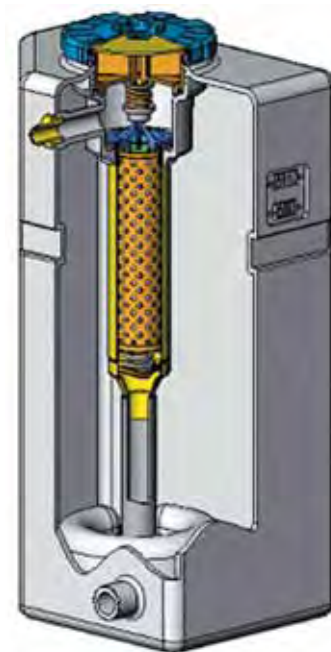
Co-polymer reservoirs are designed to meet the stringent demands of our customers. All relevant aspects are analysed, from material properties and operational conditions to dynamic load and requirements for equipment servicing.



*Customised integrated metal attachment  
"Tank also features integrated level measurement"*

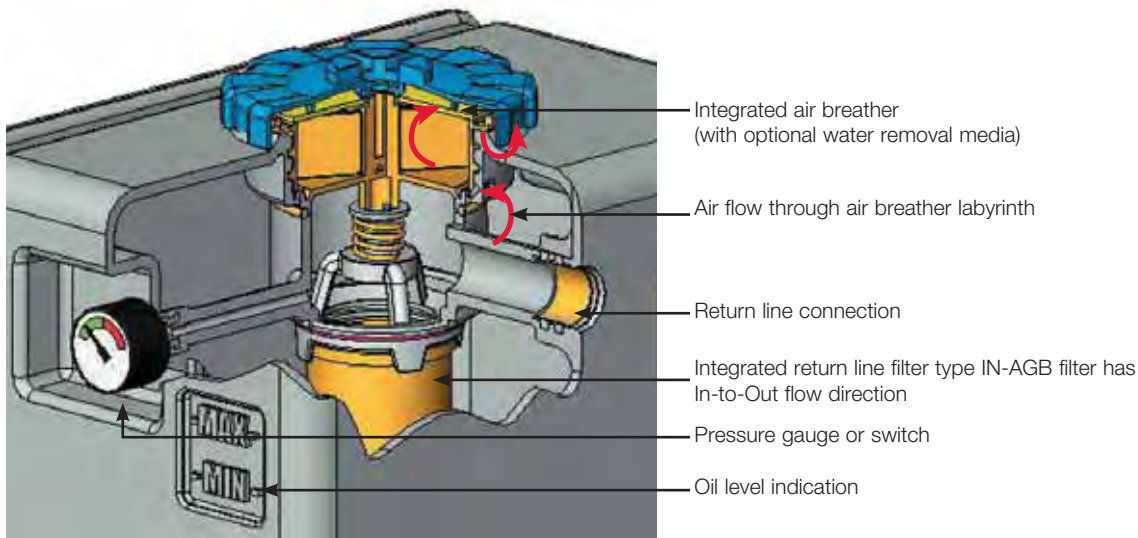
#### Level measurement

Oil level indication can be fully integrated into the tank design. This feature eliminates the need for level glasses, which are fragile and an additional potential source of leakage when mounted incorrectly.



*Example of customised co-polymer tank*

## Features, Benefits & Specifications



Example of a customised tank with an integrated return line filter and air filter

### The ultimate all-in-one design

A more frequent use of co-polymer tanks located on the outside of mobile equipment often results in specific requirements relating to styling.

Despite the compact design of Parker tank top mounted filters and air filters, these parts can influence aspects related to styling or cabin accessibility.

This concept is ideal for applications where space is at a premium.

Parker Filtration's unique all-in-one design, where the return line filter and air filter are both located under one cover is a concept that offers great possibilities related to tank styling. The high quality of the co-polymer material ensures a long-term stability of the chosen colour.

This all-in-one design features the IN-AGB type return line and integrated air filter with labyrinth. The labyrinth prevents oil leakage through the air filter. The connection(s) for return line(s) and filler port are integrated in the tank. This avoids having to have hydraulic hoses placed on top of the tank.

### Environmentally friendly

Parker considers care for the environment as a social obligation. The environmentally friendly *LEIF*<sup>®</sup> element (Low Environmental Impact Filter) is applied to the return line filters and breathers type ABL and EAB.

What makes this element so special is that the metal sleeve can be re-used. As a result, this filter element component no longer ends up in the waste disposal; only the contaminated filter medium is disposed of as chemical waste. With *LEIF*<sup>®</sup> filter elements, the disposal and processing cost may be reduced by as much as 50%.

The *LEIF*<sup>®</sup> concept safeguards the use of genuine Parker parts.

### *LEIF*<sup>®</sup> elements:

- Environmentally friendly filtration
- Re-usable steel element sleeve
- Patented elements result in guaranteed quality of filtration
- Saves element disposal costs typically by up to 50%
- Supports ISO 14001 certification



IN-AGB with *LEIF*<sup>®</sup> element

### Cost-effective

The advantages of this co-polymer concept are obvious:

- Lightweight
- Flexibility with respect to tank shapes
- Characteristics of plastic material can be customised to meet specific requirements
- Integration of several functions limits the use of individual components
- The tank can be purchased and supplied as a complete unit

# Steel Reservoirs

## Hydraulic Reservoir Solutions

### Features, Benefits & Specifications

#### Parker steel reservoirs withstand extreme conditions

Standard steel tanks are often specified for commercial vehicle side mounting. Parker steel tanks are built to last in extreme conditions. Extreme weather conditions and heavy duty vehicle movements can be resisted by our tank design.

#### Quality design

As with co-polymer tanks, steel tanks offer leak proof connections and are vigorously tested against leakage. Additionally, they are painted with primer and topcoat to ensure maximum protection against corrosion.



To help reduce dirt build-up, our steel tanks are designed with smooth corners and the upper front part of the tank can be sloped which offers extra benefits:

- Easier service access for the filter and tank air filter
- Dirt, water, snow and ice will not adhere to the tank surface next to the breather and filter

Suction port(s), covered with anti-vortex plate(s), allow low oil levels giving the operator an increased operational capacity. Before delivery the steel tanks are thoroughly washed inside and ready for system assembly.



Steel tank with with customised chassis mounting straps

#### Diverse tank size options are available

With space at a premium in most truck chassis configurations and the need to deal with toolboxes, compressed air reservoirs and other equipment, tank dimensions are always an issue. To meet the specific environment requirements Parker Filtration offers several tank sizes.

Steel tanks are fully equipped. Our customers can choose from a wide choice of filter options. Parker considers care for the environment. The environmentally friendly LEIF® element is also applied to steel tank solutions. Additionally, Parker steel reservoirs are equipped with an efficient air filter, a level gauge, plugs, a suction kit and mounting brackets. The level gauge can be re-located on the other side of the tank if user visibility is an issue.

**Note:** For further information about Parker steel reservoir solutions, contact your local Parker Sales Company.



Detailed sectional view of Tanktopper II with integrated air filter

# Environmental Air Filters

Reservoir Equipment



## When it comes to 'green' breathing

### Ecology and Economy

EAB Series and ABL Series environmental air filters provide hydraulic system designers, OEM's and end users eco-friendly advantages for a wide range of mobile applications such as forestry equipment and industrial uses such as industrial power units.



## Contact Information:

Parker Hannifin  
**Hydraulic Filter Division Europe**

**European Product  
Information Centre**  
Freephone: 00800 27 27 5374  
(from AT, BE, CH, CZ, DE, EE, ES,  
FI, FR, IE, IT, PT, SE, SK, UK)  
filtrationinfo@parker.com

www.parkerhfde.com

## Product Features:

- EAB Series – air flows up to 1500 l/min. Visual gauge option.
- ABL Series – 3 micron Abs. LEIF<sup>®</sup> element. 2 sizes.
- 2 environmental breather options suitable for most applications.

# EAB Series

## Reservoir Equipment

### Typical Applications



- Agricultural machines
- Articulated dump trucks
- Forestry equipment
- Wheeled loaders
- Lubricating systems
- Excavators
- Mobile cranes
- Industrial power units

### Technical Data

The filter has been designed to achieve a low pressure drop and high dirt holding capacity with airflows up to 1500 l/min. A compact EAB10 with airflows up to 1000 l/min is also available.

#### Construction:

Glass reinforced composite housing with Eco-element.

#### Filter media options:

P020: High quality polyester media. 2µm (abs).

C015: Polyester media with water-resistant layer. 1.5µm (abs)

Q010: Glass fibre media. 1.0µm (abs)

#### Mounting options:

With 6 screws. Includes machine and plate screws, a strainer and gaskets.

External threads G<sup>3</sup>/<sub>4</sub>" , G1" .

Internal thread G<sup>3</sup>/<sub>4</sub>" .

#### Options:

Visual gauge type vacuum/pressure indicator.

Overpressure valve, pressure setting 0.2 bar.

EAB10 cannot be specified with an overpressure valve and vacuum/pressure gauge at the same time.

#### Advantages of the EAB filters:

Easy maintenance.

Indicator states the need for element change.

Quick and easy element change (no tools required).

#### Environmentally friendly:

EAB elements contains no metal parts: therefore it can be crushed and burned minimising the volume of waste material.

#### Other features:

The optional indicator is located in a safe place inside the housing.

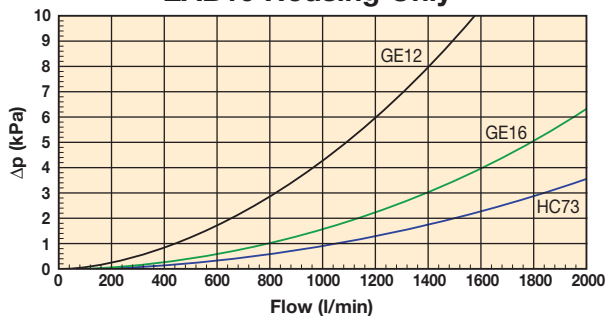
Housing includes mounting holes for a padlock, which allows you to increase the security against theft and vandalism.

Suitable for temperatures -20°C to +80°C.

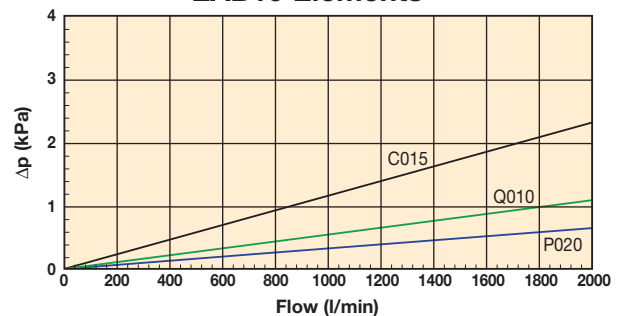
### Pressure Drop Curves

$\Delta p_{total} = \Delta p_{housing} + \Delta p_{element}$ . The recommended level of the initial pressure drop for this filter is max 0.02 bar (2.0 kPa).

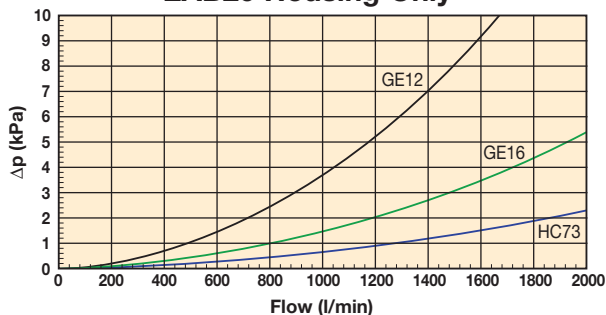
**EAB10 Housing Only**



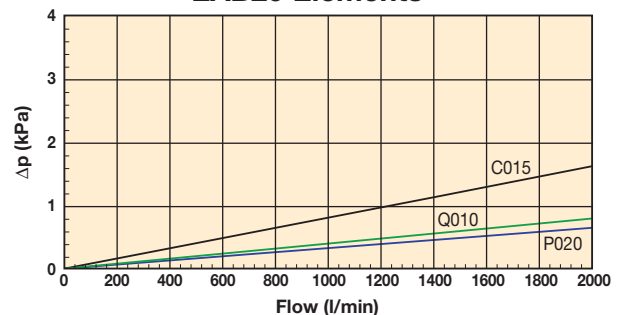
**EAB10 Elements**



**EAB20 Housing Only**

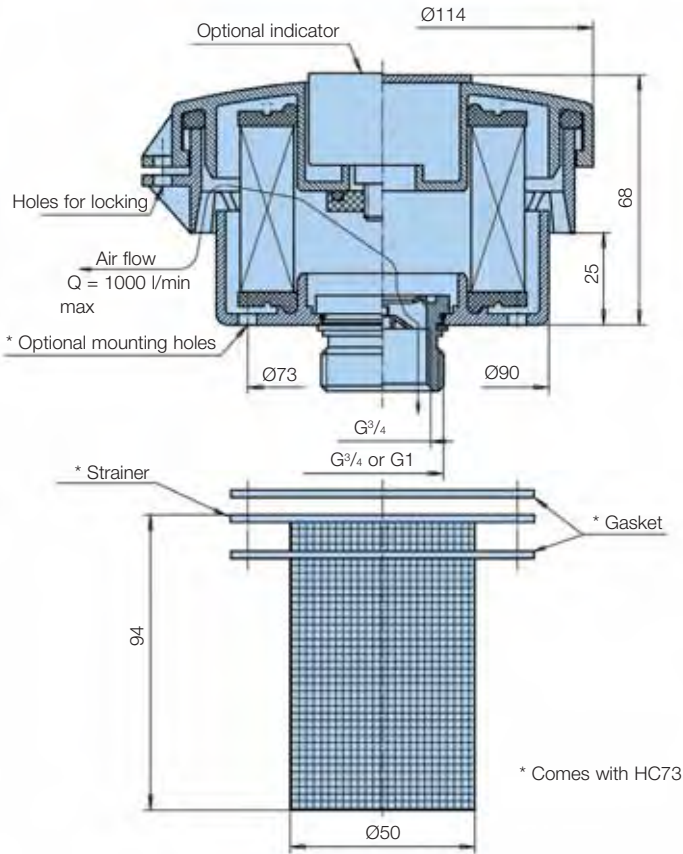


**EAB20 Elements**

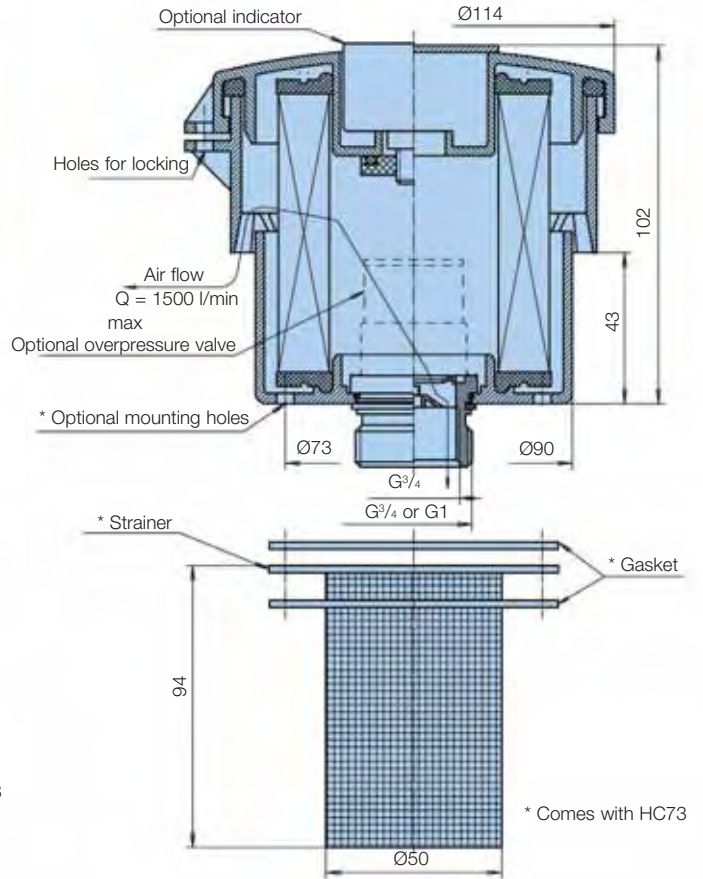


# Specification

## EAB10

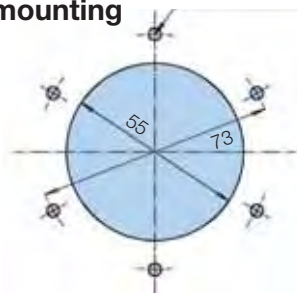


## EAB20



**NOTICE!**  
Air filters are an essential part of the system and the element needs to be replaced regularly.

### 6 hole fixing mounting dimensions



Mounting	Code
6 mounting holes	HC73
G1 external	GE16
G <sup>3</sup> / <sub>4</sub> external	GE12
G <sup>3</sup> / <sub>4</sub> internal	GS12

Note: Optional indicator scale -0.35/-0.2 to +0.2/+0.35 bar.  
Note: Optional mounting holes act as drain holes (except the HC73) in combination with a CO15 element.

# EAB Series

## Reservoir Equipment

### Ordering Information

#### Standard products table

Part number	Supersedes	Model	Media	Mounting	Overpressure valve	Indicator	Replacement elements
<b>EAB20P020HC73V2</b>	EAB20P020HC73-V2	EAB20	P020	HC73	V2		<b>EAC20P020</b>
<b>EAB10P020HC73</b>	N/A	EAB10	P020	HC73			<b>EAC10P020</b>
<b>EAB20P020HC73</b>	N/A	EAB20	P020	HC73			<b>EAC20P020</b>
<b>EAB20P020GE16</b>	N/A	EAB20	P020	GE16			<b>EAC20P020</b>
<b>EAB20P020HC73A</b>	EAB20P020HC73-A	EAB20	P020	HC73		A	<b>EAC20P020</b>

#### Product configurator

Product number	Media options		Mounting options		Overpressure valve options		Indicator options	
<b>EAB20</b>	<b>P020</b>	2µ abs polyester	<b>HC73</b>	6 hole fixing		No overpressure valve		No indicator
<b>EAB10</b>	<b>C015</b>	1.5µ abs water resistant	GE12	G <sup>3</sup> / <sub>4</sub> external thread	V2	0.2 bar	A	Vacuum/pressure gauge
	<b>Q010</b>	1.0µ abs glass fibre	<b>GE16</b>	G1 external thread G <sup>7</sup> / <sub>8</sub> internal				
			GS12	thread M33 x 2 external thread				
			ME33	thread				

#### Replacement elements

Product number	Media options	
<b>EAC20</b>	<b>P020</b>	2µ abs polyester
<b>EAC10</b>	<b>C015</b>	1.5µ abs water resistant
	<b>Q010</b>	1.0µ abs glass fibre

Note 1: Part numbers featured with bold highlighted codes will ensure a 'standard' product selection.

Note 2: For alternative part number options, consult Parker Filtration.



# ABL Series

## Reservoir Equipment

### Typical Applications



### The Parker Filtration ABL-1 and ABL-2 Series Air Filters.

- Saw mills
- Agricultural machines
- Articulated dump trucks
- Forestry equipment
- Wheeled loaders
- Lubricating systems
- Excavators
- Industrial power units
- Mobile cranes

### Technical Data

**Assembly:**

Tank top mounted.

**Connections:**

Threads G1 $\frac{1}{4}$  (ISO 228), 1 $\frac{1}{2}$ " (UN-16-2B).

**Seal material:**

Seals integrated in LEIF<sup>®</sup> element.

**Operating temperature range:**

-20° to +80°C.

**Filtration media:**

3 micron abs (Beta value= $\beta_{75} \geq 3$  in air).

**Flow fatigue characteristics:**

Filter media is supported so that the optimal fatigue life is achieved.

**Vacuum indicator:**

ABL-1 on request only, ABL-2 0.04 bar. Visual with latch out memory.

**Breather housing:**

High impact strength composite.

**Filter element:**

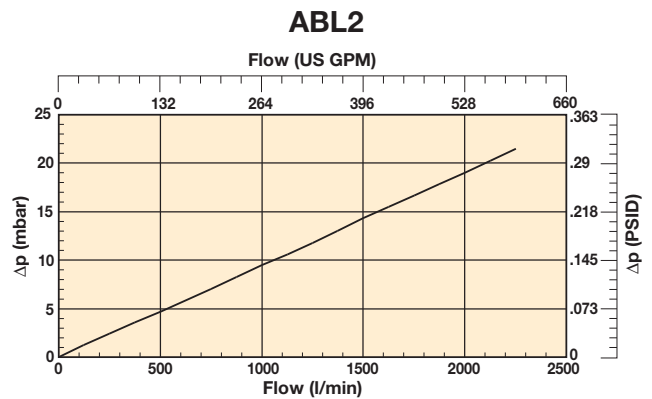
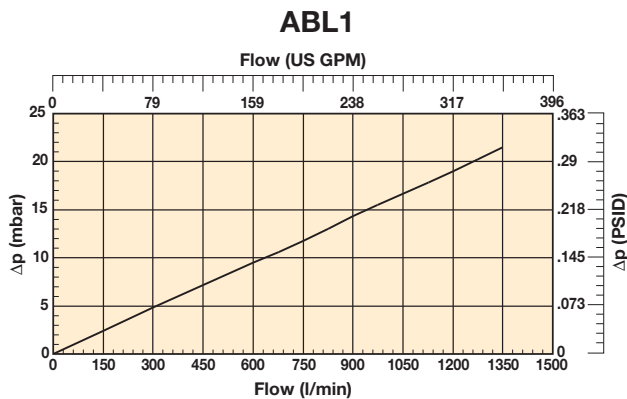
LEIF<sup>®</sup> element.

**Options:**

- Adaptor with filter connection.
- Single adaptor.
- Breather with integrated pressure relieve valve for pressurised tank on request only.

LEIF<sup>®</sup> elements can be used for hydraulic fluids and HEES type fluids only. For other fluids contact Parker Filtration.

### Pressure Drop Curves

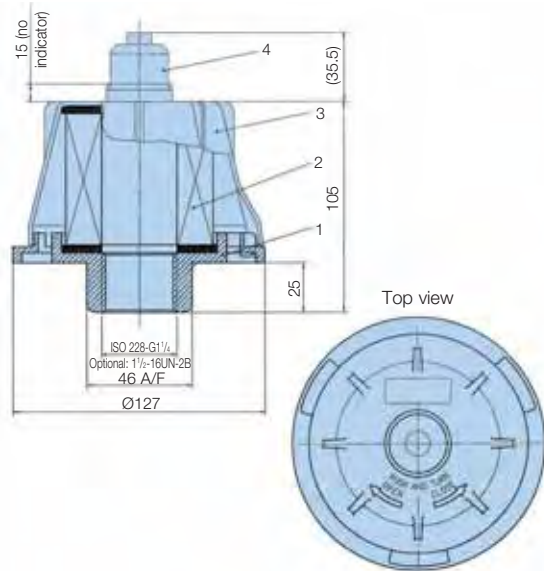


# ABL Series

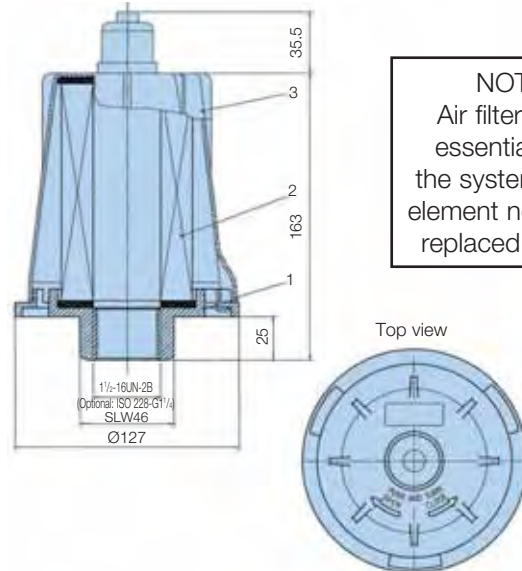
## Reservoir Equipment

### Specification

#### ABL-1



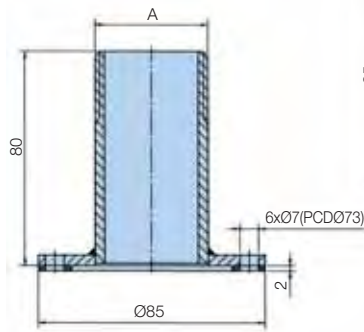
#### ABL-2



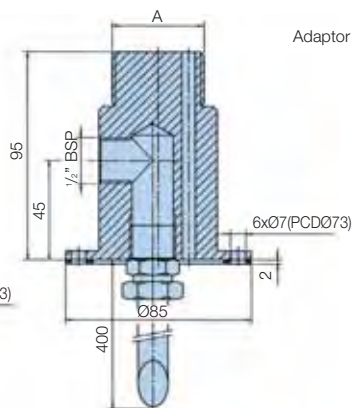
**NOTICE!**  
Air filters are an essential part of the system and the element needs to be replaced regularly.

### Extensions and filling mounting adaptors

Adaptor single



Adaptor with filler connection



## Ordering Information

### Standard products table

Part number	Supersedes	Replacement elements
<b>ABL1G114QXWL3</b>	ABL1-G1 <sup>1</sup> / <sub>4</sub> -QXWL-3	<b>QXWL3</b>
<b>ABL2G114QXWL13V</b>	ABL2-G1 <sup>1</sup> / <sub>4</sub> -QXWL-1-3-V	<b>QXWL13</b>
<b>ABL2U112QXWL13V</b>	ABL2-U1 <sup>1</sup> / <sub>2</sub> -QXWL-1-3-V	<b>QXWL13</b>
<b>ADAPTORABL14FP</b>	ADAPTOR-ABL-G1 <sup>1</sup> / <sub>4</sub> -FP	-

### Product configurator – Air Beather

Product number		Mounting options		Filtration (3µm)		Indicators		Options	
<b>ABL1</b>	1000 l/min	<b>G114</b>	ISO 228 - G1 <sup>1</sup> / <sub>4</sub> (BSP)	<b>QXWL3</b>	ABL1 Only		None		None
<b>ABL2</b>	2000 l/min	<b>U112</b>	1 <sup>1</sup> / <sub>2</sub> UN-16-2B	<b>QXWL13</b>	ABL2 Only	<b>V</b>	Visual	SNG	Single adaptor
								FP	Adaptor With Filler Connection

### Product configurator – Adaptor

Product number	Mounting options		Options	
<b>Adaptor ABL</b>	<b>G114</b>	ISO 228 - G1 <sup>1</sup> / <sub>4</sub> (BSP)	<b>SNG</b>	Single Adaptor
	<b>U112</b>	1 <sup>1</sup> / <sub>2</sub> UN-16-2B	<b>FP</b>	Adaptor With Filler Connection

### Replacement elements

Part number	Supersedes	Description
<b>QXWL3</b>	QXWL-3	3µ
<b>QXWL13</b>	QXWL1-3	3µ

Note 1: Part numbers featured with bold highlighted codes will ensure a 'standard' product selection.

Note 2: Alternate displayed part number selection will require you to contact Parker Filtration for availability.

# Triceptor

## Desiccant Type Breather



## Keeping water and dust out of the reservoir

### A disposable air breather solution

Triceptor desiccant type breathers are easy to fit and disposable as soon as the silica gel inside turns to pink. Triceptor breathers have three main functions; besides the removal of small solid contamination they absorb water due to the high performance silica gel desiccant. The third function is to reduce oil mist leaving the reservoir and going into the atmosphere.



## Contact Information:

Parker Hannifin  
**Hydraulic Filter Division Europe**

**European Product  
Information Centre**  
Freephone: 00800 27 27 5374  
(from AT, BE, CH, CZ, DE, EE, ES,  
FI, FR, IE, IT, PT, SE, SK, UK)  
filtrationinfo@parker.com

[www.parkerhfde.com](http://www.parkerhfde.com)

## Product Features:

- Triceptor desiccant type breathers remove contamination, absorb water in the fluid and reduce oil mist leaving the reservoir into the atmosphere.
- Triceptor breathers are easy to fit and disposable when the silica gel turns to pink.
- Cost effective Triceptor breathers are suitable for a wide range of mobile and industrial applications.

# Breathers Desiccant Type

## Reservoir Equipment

### Specification

#### Materials:

Casing: Clarified copolymer polypropylene.

Cap: Copolymer polypropylene.

Stand pipe: PVC.

**Filtration Element:** Polyester, silica gel.

**Operating Temperatures:** -29°C (- 20°F) to 121°C (250°F).

**Seals:** None.

**Maximum Allowable Operating Pressure (MAOP):** .34 bar (5 psi).

#### Particle Removal Efficiency:

98.7% (beta 75) @ 3 micron

99.5% (beta 200) @ 4 micron

99.9% (beta 1000) @ 5.3 micron

#### Weight:

934330T .57 kg (1.25 lbs.) each.

934331T .79 kg (1.75 lbs.) each.

934332T 1.02 kg (2.25 lbs.) each.

### Features

#### Foam Pads

Isolates the removal materials from contact with heavy reservoir mist and securely holds materials in place.

#### Filter Pads

Specially designed filter pads remove solid particulate on upstream side and then regenerate by releasing those particles when air flow reverses direction. Lower pad removes airborne contamination and second pad protects against any migration of desiccant.

#### Air Intakes

A total of eight air intakes may be exposed to allow air to freely flow in and out of the Triceptor.

#### Silica Gel Desiccant

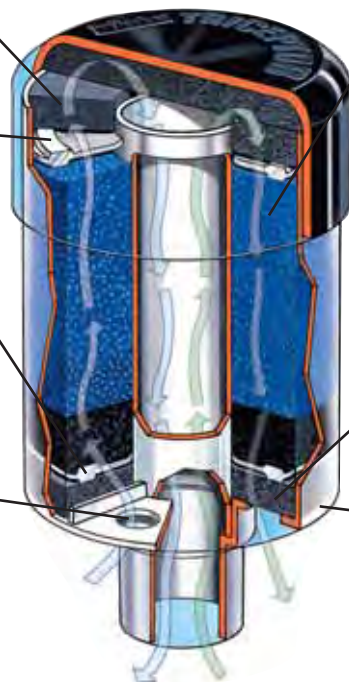
Has the highest removal capability by volume of any adsorption method. Indicates condition by changing color.

#### Foam pad

Insures filter pad is properly positioned and protects it from external damage.

#### Molded Housing

Durable shock absorbing casing provides reliable service and simple press in mounting.



# Triceptor

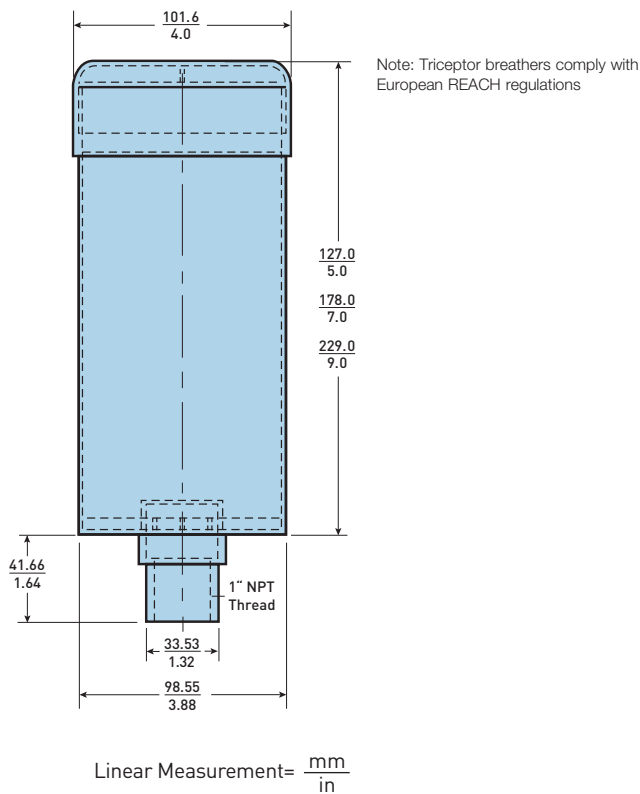
## Desiccant Type Breather

### Installation

Triceptor breathers are designed for simple installation on most equipment, regardless of mounting connection. Since TriCeptor breathers are disposable, the threaded connection allows for quick and easy maintenance. Several mounting adapters (shown below) are available to provide the desired mounting. The installation/replacement process consists of four easy steps:

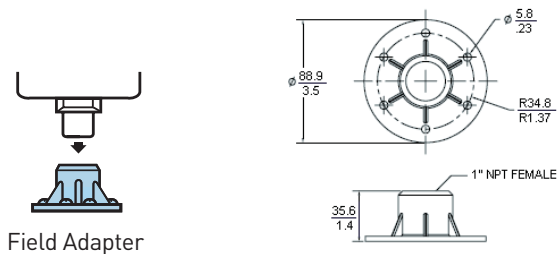
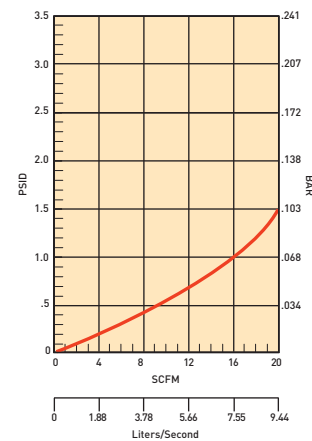
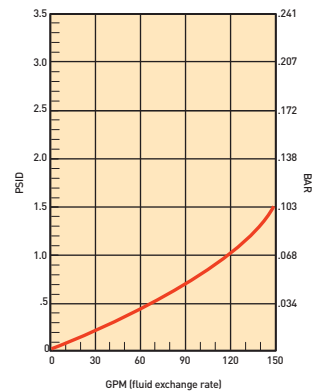
1. Remove from protective plastic wrap.
2. Remove 25mm blue cap from standpipe.
3. Remove foil label to expose the necessary amount of air intake holes.
4. Twist Triceptor into mounting adapter.

Servicing the Triceptor breather is also very easy. When the silica gel changes colour from blue to a pink, the breather is no longer active and needs to be replaced. Simply remove the unit and discard properly.



### Air Flow Performance

The curves below show the air flow performance of the three Triceptor breathers. To insure the longest life possible, the initial clean pressure drop should not exceed 0.103 bar.



Model	Part Number	Quantity
127mm Breather	934330T	6 pcs.
178mm Breather	934331T	6 pcs.
229mm Breather	934332T	6 pcs.
Field Adapter Nylon	937546	1 pc.

# Glass-Filled Nylon and Metal Breathers

IP65 Rated, Metal, Screw-on and Lockables Reservoir Equipment



## Compact and lightweight reservoir solutions

### IP65 Co-polymer breathers and metal breathers

The IP65 rated range of moulded, non-corrodible, glass-filled nylon air breathers combine strength with a lightweight design. Single hole, 6-hole, 3-hole and screw-on options are available; plus metal air breather, filler breather and lockable options are a proven range of quality reservoir solutions.



## Contact Information:

Parker Hannifin  
Hydraulic Filter Division Europe

European Product  
Information Centre  
Freephone: 00800 27 27 5374  
(from AT, BE, CH, CZ, DE, EE, ES,  
FI, FR, IE, IT, PT, SE, SK, UK)  
filtrationinfo@parker.com

[www.parkerhfde.com](http://www.parkerhfde.com)

## Product Features:

- Moulded in non-corrodible, glass-filled nylon – strong and light.
- Single hole, 6 hole and 3 hole installation.
- Screw-on breather range – G $\frac{1}{2}$  and G $\frac{3}{4}$  options.
- Compact range – G $\frac{1}{4}$ , G $\frac{3}{8}$ , R $\frac{1}{2}$  and R $\frac{3}{4}$  options.
- Metal filler breathers – pressurized threaded type.
- Metal filler breathers – unpressurized threaded type.
- Filter flange type.
- Lockable range for reservoir security and oil protection.

# IP65 Rated Filler Breathers

## Reservoir Equipment

### Specification for Single and 6 Hole Installation



#### Option 1

##### Construction:

Moulded in non-corrodible glass-filled nylon combining strength with a lightweight design.

##### Options:

- (1) single (63mm dia) hole Filler breather installation that eliminates drilled and tapped holes using self-locking clamps.
- (2) 6 hole Filler Breather Installation that uses 6 x No 10 thread forming screws.
- (3) 3 hole filler breather utilises 3 x zinc and clear chromate plated steel screws.

##### Strainers:

Unique design diffuses oil flow into the reservoir.  
 (1) Single length in polypropylene (95mm length)  
 (2) 2-piece telescopic in polypropylene (195mm length max.)

##### Filtration element:

Expanded polyurethane foam, 10 micron nominal.

##### Seals:

Nitrile.

##### Working temperature:

-30°C to +90°C.

##### Pressurised filler breathers:

Available in 3 pressure options to maintain a positive pressure in a reservoir.

##### Pressurisation options:

0.2, 0.35 and 0.7 bar crack pressure.

##### Pressurisation valve:

Nylon/Nitrile.

##### Dipstick:

Available for use with options 1 and 2. Dipsticks are available in 2 lengths and in packs of 10.

##### Dipstick material:

ABS.

##### Hi/Lo indicators:

Acetal. Adjustable Red/Green level indicators.

##### Dipstick lengths:

200mm and 400mm.

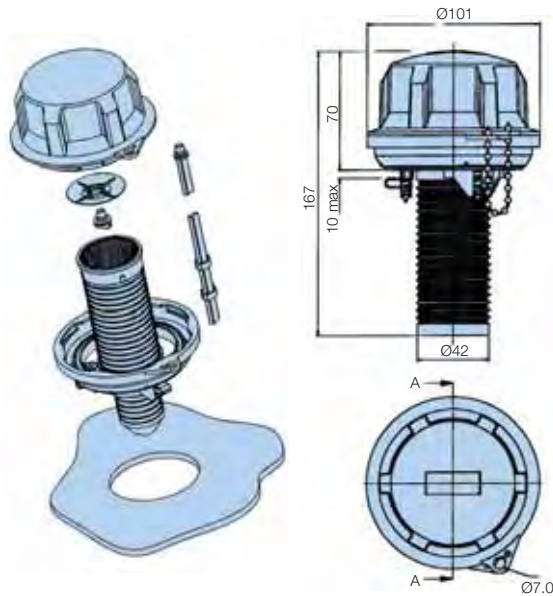
##### Breather weight:

0.2Kg.

##### Anti-splash feature:

The unique design anti-splash feature is standard on all options 1 and 2 and allows for a dipstick to be fitted if required.

### Option 1 Filler Breathers (Single Hole Installation)



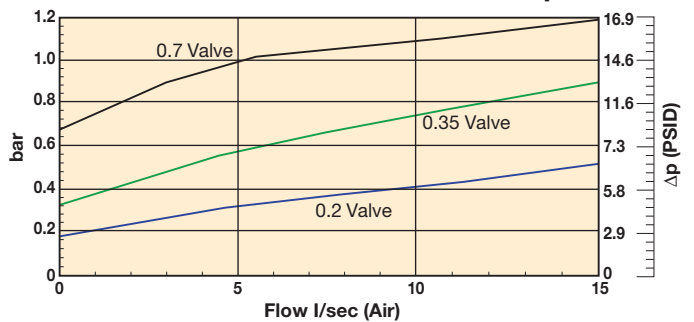
#### Option 1. Single Hole Filler Breathers – Pressurised

Part number	Supersedes	Description 10µ abs.
<b>AB98212011</b>	AB.98212011.UC	Pressurised 0.2bar with 95mm strainer
<b>AB98213011</b>	AB.98213011.UC	Pressurised 0.35bar with 95mm strainer
<b>AB98212001</b>	AB.98212001.UC	Pressurised 0.2bar without strainer
<b>AB98212021</b>	AB.98212021.UC	Pressurised 0.2bar with telescopic strainer
<b>AB98213001</b>	AB.98213001.UC	Pressurised 0.35bar without strainer
<b>AB98213021</b>	AB.98213021.UC	Pressurised 0.35bar with telescopic strainer
<b>AB98217001</b>	AB.98217001.UC	Pressurised 0.7bar without strainer
<b>AB98217011</b>	AB.98217011.UC	Pressurised 0.7bar with 95mm strainer
<b>AB98217021</b>	AB.98217021.UC	Pressurised 0.7bar with telescopic strainer

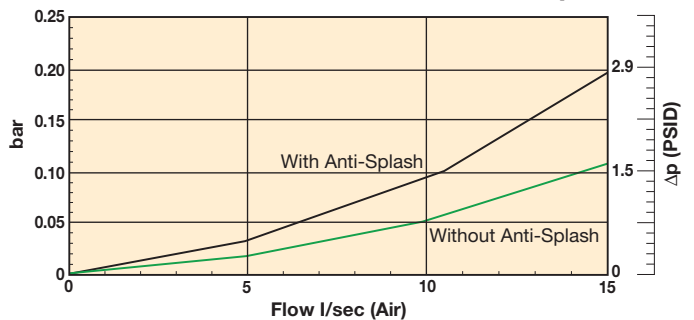
Note 1: Part numbers featured with bold highlighted codes will ensure a 'standard' product selection.

Note 2: Alternate displayed part number selection will require you to contact Parker Filtration for availability.

#### AB98XXX Pressurised Pressure Drop Curves



#### AB98XXX Non-Pressurised Pressure Drop Curves



#### Option 1. Single Hole Filler Breathers – Non-Pressurised

Part number	Supersedes	Description 10µ abs.
<b>AB98210011</b>	AB.98210011.UC	Filler breather with 95mm strainer
<b>AB98210021</b>	AB.98210021.UC	Filler breather with telescopic strainer
<b>AB98210001</b>	AB.98210001.UC	Filler breather without strainer

Note 1: Part numbers featured with bold highlighted codes will ensure a 'standard' product selection.

Note 2: Alternate displayed part number selection will require you to contact Parker Filtration for availability.



## Filler Breathers (6 Hole Installation)

### Option 2

#### Note 1. Un-pressurised 6 hole fixing:

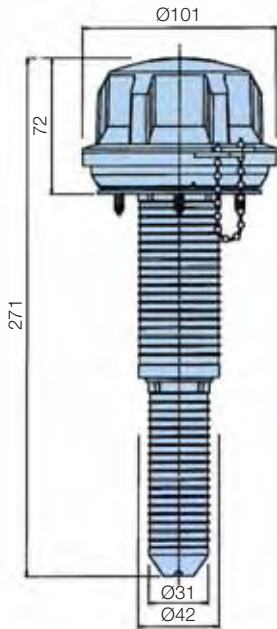
Form 6 off tank mounting holes between  $\varnothing 4.0$  and  $4.4\text{mm}$  (dependent on the material and thickness – see guide below) equispaced on  $70\text{-}73\text{mm}$  P.C.D. to suit supplied No.10 thread forming screws.

#### Note 2. Pressurised 6-hole fixing:

Form 6 off tank mounting holes between  $\varnothing 4.0$  and  $\varnothing 4.4\text{mm}$  (dependent on the material and thickness – see guide below) equispaced on  $73\text{mm}$  P.C.D. to suit supplied No.10 thread forming screws.

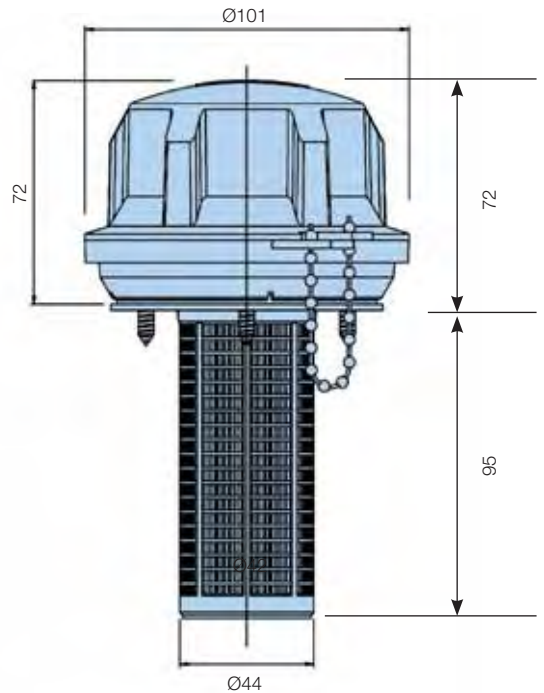
#### Note 3. Reservoir mounting guide

Sheet thickness mm	Hole size mm
1.2	4.0
2.0	4.10
3.15	4.30
4.0	4.30
5.0	4.40



#### Telescopic Strainer

The telescopic strainer design is ideal, where reservoir depth allows, to increase the surface area of the strainer, improving still further its straining ability, oil flow-through and allowing for longer dipstick lengths.



#### Option 2. 6 Hole Filler Breathers – Pressurised

Part number	Supersedes	Description 10 $\mu$ abs
<b>AB98817011</b>	AB.98817011.UC	Pressurised 0.7bar with 95mm strainer
<b>AB98812001</b>	AB.98812001.UC	Pressurised 0.2bar without strainer
<b>AB98812011</b>	AB.98812011.UC	Pressurised 0.2bar with 95mm strainer
<b>AB98812021</b>	AB.98812021.UC	Pressurised 0.2bar with telescopic strainer
<b>AB98813001</b>	AB.98813001.UC	Pressurised 0.35bar without strainer
<b>AB98813011</b>	AB.98813011.UC	Pressurised 0.35bar with 95mm strainer
<b>AB98813021</b>	AB.98813021.UC	Pressurised 0.35bar with telescopic strainer
<b>AB98817001</b>	AB.98817001.UC	Pressurised 0.7bar without strainer
<b>AB98817021</b>	AB.98817021.UC	Pressurised 0.7bar with telescopic strainer

Note 1: Part numbers featured with bold highlighted codes will ensure a 'standard' product selection.

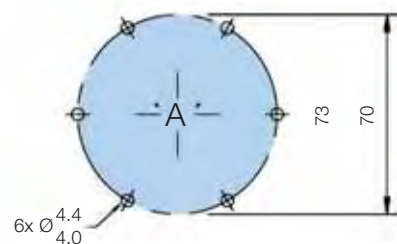
Note 2: Alternate displayed part number selection will require you to contact Parker Filtration for availability.

#### Option 2. 6 Hole Filler Breathers – Non-Pressurised

Part number	Supersedes	Description 10 $\mu$ abs
<b>AB98810001</b>	AB.98810001.UC	Filler breather without strainer
<b>AB98810011</b>	AB.98810011.UC	Filler breather with 95mm strainer
<b>AB98810021</b>	AB.98810021.UC	Filler breather with telescopic strainer

Note 1: Part numbers featured with bold highlighted codes will ensure a 'standard' product selection.

Note 2: Alternate displayed part number selection will require you to contact Parker Filtration for availability.



# Filler Breathers

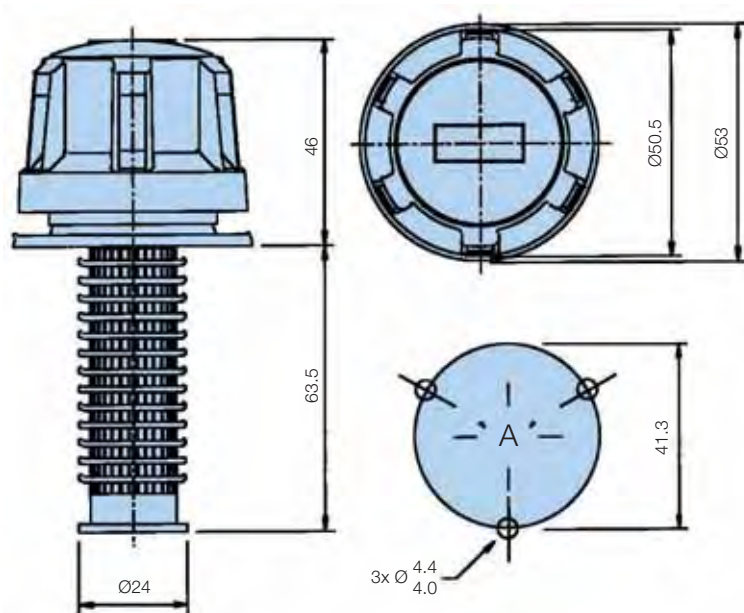
## Reservoir Equipment

### Option 3 Filler Breathers (3 Hole Installation)



#### New Options Fully Tested

As part of the design development programme for the new IP65 Filler Breathers, extensive performance and endurance testing was carried out to ensure durability and efficiency.



#### 3-hole Filler Breathers (6-hole available)

Part number	Description 10µ abs
<b>AB68110</b>	Filler breather without strainer
<b>AB68118</b>	Filler breather with 95mm strainer

Note 1: Part numbers featured with bold highlighted codes will ensure a 'standard' product selection.  
 Note 2: Alternate displayed part number selection will require you to contact Parker Filtration for availability.  
 Note 3: Not suitable for use with B.68206/207  
 Note 4: 6-hole AB.68910/AB.68918 option available.

Note: Form 3 off tank mounting holes between Ø4.0 and Ø4.4mm (dependent on the material and thickness – see chart for guide) equispaced on 41.3 P.C.D. to suit No. 10 thread forming screws supplied.

### Dipstick Options

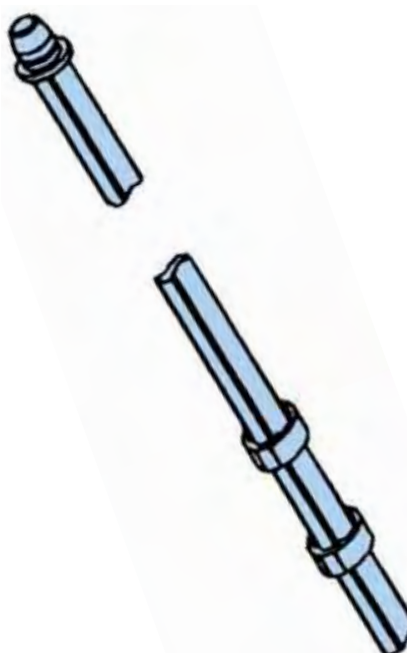
#### Dipstick Ordering

Part number	Supersedes	Description
<b>B68206</b>	DIP.206	10 x 200mm Dipsticks
<b>B68207</b>	DIP.207	10 x 400mm Dipsticks

Note 1: Part numbers featured with bold highlighted codes will ensure a 'standard' product selection.  
 Note 2: Alternate displayed part number selection will require you to contact Parker Filtration for availability.

#### Dipsticks

The dipstick, available in 2 lengths – 200mm and 400mm, can be cut to the required length or left as it is and the Hi/Lo indicators moved and positioned on the dipstick itself by squeezing the sides of the indicator and repositioning along the dipstick.



# Screw-On Type Air Breathers

## Reservoir Equipment

### Standard Screw-On Breathers - Specification



#### Option 1- G<sup>1/2</sup> and G<sup>3/4</sup> (Ø101)

**Construction:**

Moulded in non-corrodible glass-filled nylon combining strength with a lightweight design.

**Option 1:**

2 screw on type air breathers are available – G<sup>1/2</sup> or G<sup>3/4</sup> threaded base models.

**Filtration element:**

Expanded polyurethane foam, 10 micron absolute.

**Seals:**

Nitrile.

**Working temperature:**

-30°C to +90°C.

**Pressurised air breathers:**

Available in 3 pressure options to maintain a positive pressure in a reservoir.

**Pressurisation options:**

0.2, 0.35 and 0.7 bar crack pressure.

**Pressurisation valve:**

Nylon/Nitrile.

**Dipstick:**

Available for use with all options. Dipsticks are available in 2 lengths and in packs of 10.

**Dipstick material:**

ABS.

**Hi/Lo indicators:**

Acetal. Adjustable red/green level indicators.

**Dipstick lengths:**

200mm and 400mm.

**Breather weight:**

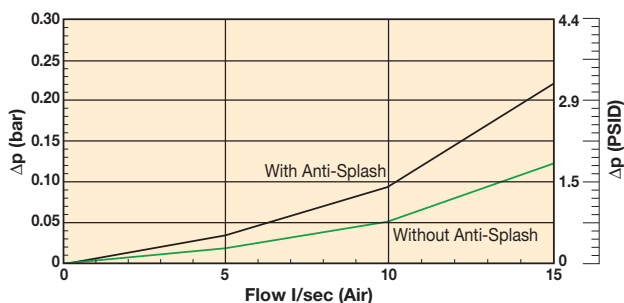
0.2Kg.

**Anti-splash feature:**

The unique design anti-splash feature is standard on option 1 and allows for a dipstick to be fitted if required.

### Pressure Drop Flow Curve

AB98XXX Screw-on Non-Pressurised Pressure Drop Curves



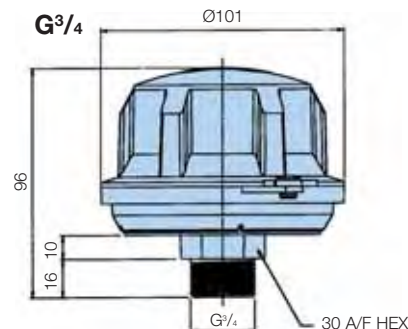
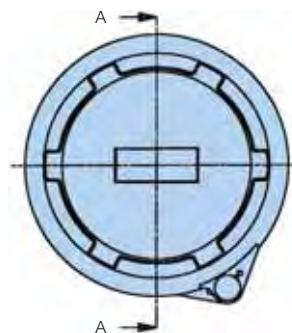
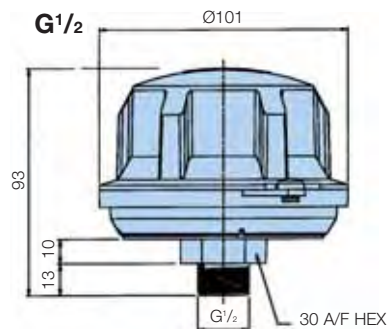
Note: For pressure drop information on the Option 1. Pressurised consult Parker Filtration.

#### Option 1 – G<sup>1/2</sup> or G<sup>3/4</sup>

Part number	Supersedes	Description 10µ nom
<b>AB98610101</b>	AB.98610101.UC	G <sup>1/2</sup> Un-pressurised
<b>AB98612101</b>	AB.98612101.UC	G <sup>1/2</sup> pressurised 0.2 bar
<b>AB98613101</b>	AB.98613101.UC	G <sup>1/2</sup> pressurised 0.35 bar
<b>AB98617101</b>	AB.98617101.UC	G <sup>1/2</sup> pressurised 0.7 bar
<b>AB98410101</b>	AB.98410101.UC	G <sup>3/4</sup> Un-pressurised
<b>AB98412101</b>	AB.98412101.UC	G <sup>3/4</sup> pressurised 0.2 bar
<b>AB98413101</b>	AB.98413101.UC	G <sup>3/4</sup> pressurised 0.35 bar
<b>AB98417101</b>	AB.98417101.UC	G <sup>3/4</sup> pressurised 0.7 bar

Note 1: Part numbers featured with bold highlighted codes will ensure a 'standard' product selection.

Note 2: Alternate displayed part number selection will require you to contact Parker Filtration for availability.



# Screw-On Type Air Breathers

## Reservoir Equipment

### Compact Screw-On Breathers - Specification

#### Option 2 – G<sup>1</sup>/<sub>4</sub>, G<sup>3</sup>/<sub>8</sub>, R<sup>1</sup>/<sub>2</sub> and R<sup>3</sup>/<sub>4</sub> (Ø40)

**Construction:**

G<sup>1</sup>/<sub>4</sub>, G<sup>3</sup>/<sub>8</sub>, R<sup>1</sup>/<sub>2</sub> and R<sup>3</sup>/<sub>4</sub> cap and base plate mouldings in nylon 66.

**Element:**

Expanded Polyurethane foam, 10 micron absolute.

**Dipstick:**

Available for use with R<sup>1</sup>/<sub>2</sub> and R<sup>3</sup>/<sub>4</sub>.

**Dipstick material:**

ABS.

**Hi/Lo indicators:**

Acetal adjustable red/green level indicators.

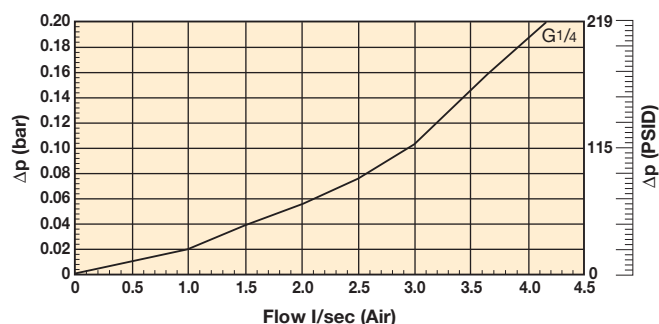
**Dipstick lengths:**

200mm and 400mm (packs of 10).

**Breather weights:**

0.028Kg

### Pressure Drop Flow Curve



Note: For pressure drop information on G<sup>3</sup>/<sub>8</sub>, R<sup>1</sup>/<sub>2</sub> and R<sup>3</sup>/<sub>4</sub>, consult Parker Filtration.

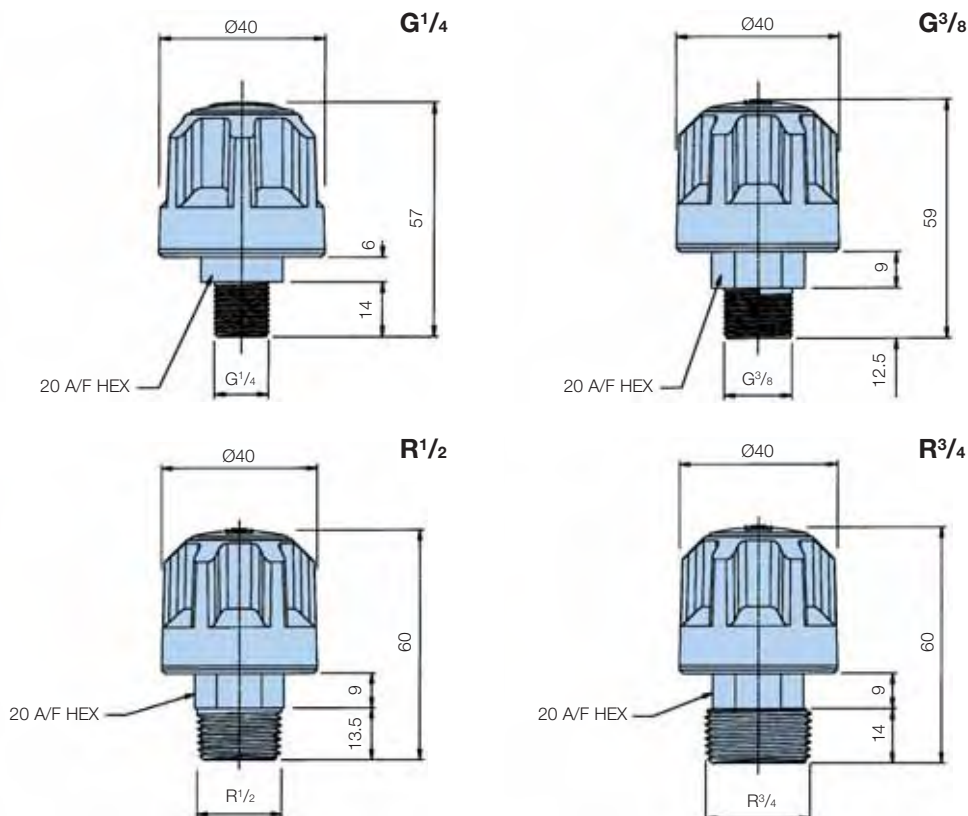
### Ordering Information

#### Option 2 – G<sup>1</sup>/<sub>4</sub>, G<sup>3</sup>/<sub>8</sub>, R<sup>1</sup>/<sub>2</sub> and R<sup>3</sup>/<sub>4</sub> (Packs of 10 only)

Part number	Supersedes	Description 10µ abs
<b>AB683101</b>	AB.683101.UC	G <sup>1</sup> / <sub>4</sub> Un-pressurised
<b>AB68X101</b>	AB.68X101.UC	G <sup>3</sup> / <sub>8</sub> Un-pressurised
<b>AB68Y101</b>	AB.68Y101.UC	R <sup>1</sup> / <sub>2</sub> Un-pressurised
<b>AB68Z101</b>	AB.68Z101.UC	R <sup>3</sup> / <sub>4</sub> Un-pressurised

Note 1: Part numbers featured with bold highlighted codes will ensure a 'standard' product selection.

Note 2: Alternate displayed part number selection will require you to contact Parker Filtration for availability.



# Screw-On Type Air Breathers - Specification

## Option 3 – G<sup>3</sup>/<sub>8</sub>, G<sup>1</sup>/<sub>2</sub> and G<sup>3</sup>/<sub>4</sub> (Ø70)

**Construction:**

Mouldings in glass-filled nylon and glass coupled polypropylene.

**Element:**

Expanded Polyurethane foam, 10 micron absolute.

**Seals:**

Nitrile.

**Pressurised air breathers:**

Available G<sup>3</sup>/<sub>8</sub>, G<sup>1</sup>/<sub>2</sub> and G<sup>3</sup>/<sub>4</sub>,  
3 pressure options to maintain a positive pressure in a reservoir.

**Pressurisation options:**

0.2, 0.35 and 0.7 bar crack pressure.

**Pressurisation valve:**

Nylon.

**Dipstick:**

Available for use with G<sup>3</sup>/<sub>8</sub>, G<sup>1</sup>/<sub>2</sub> and G<sup>3</sup>/<sub>4</sub>.

**Dipstick material:**

Mini-series in brass.

**Hi/Lo indicators:**

Acetal adjustable red/green level indicators.

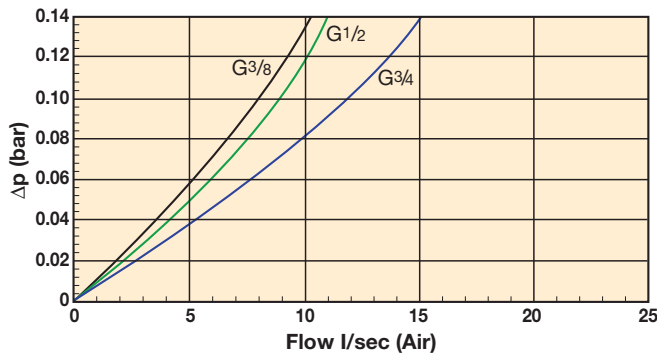
**Dipstick lengths:**

200mm and 400mm (packs of 10).

**Breather weights:**

0.075Kg, Mini-series – 0.019Kg.

## Pressure Drop Flow Curve



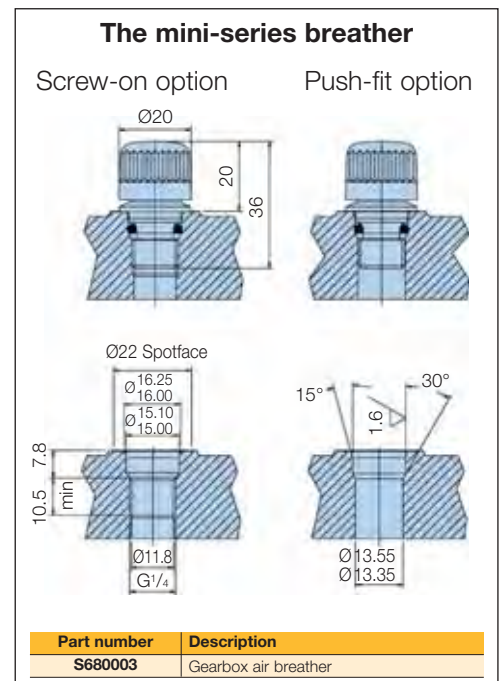
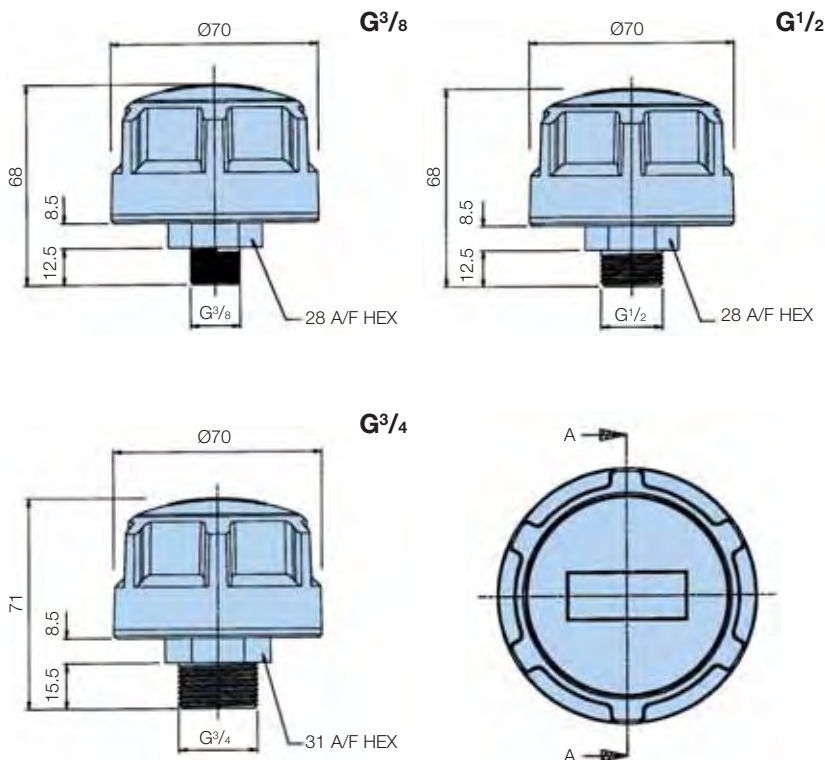
## Ordering Information

### Option 3 – G<sup>3</sup>/<sub>8</sub>, G<sup>1</sup>/<sub>2</sub> and G<sup>3</sup>/<sub>4</sub>

Part number	Supersedes	Description 10µ abs
<b>AB685101</b>	SAB.5101	G <sup>3</sup> / <sub>8</sub> Un-pressurised
<b>AB687101</b>	SAB.7101	G <sup>1</sup> / <sub>2</sub> Un-pressurised
<b>AB686101</b>	SAB.6101	G <sup>3</sup> / <sub>4</sub> Un-pressurised

Note 1: Part numbers featured with bold highlighted codes will ensure a 'standard' product selection.

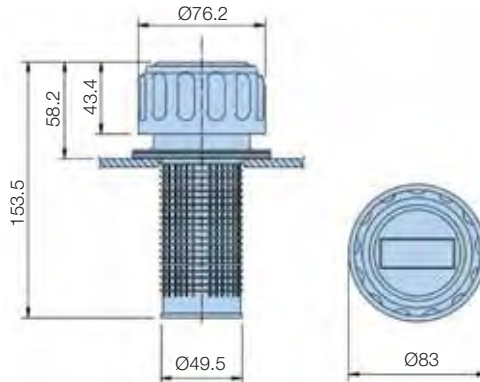
Note 2: Alternate displayed part number selection will require you to contact Parker Filtration for availability.



# Filler Breathers (Metal)

## Reservoir Equipment

### Metal Airbreather/Filler breather Specification



Note: Dimensions relate to 1163 and 1730 options.  
 Note: Max. operating temperature = +90°C.

#### Locking lug option (5561)

For added security, certain Parker Filtration Metal Filler Breather Filters can be specified with a locking lug option.



### Ordering Information

#### Standard products table

Part number	Supersedes	Replacement cap	Supersedes	Displacement l/min	Crack pressure	Micron rating	Air flow m³/min	Thread	Weight
<b>Threaded airbreather (unpressurised)</b>									
<b>SAB156210</b>	SAB.1562.10	N/A	N/A	430	N/A	10µ abs	0.45	G <sup>3</sup> / <sub>4</sub>	0.20kg
<b>SAB156310</b>	SAB.1563.10	N/A	N/A	135	N/A	10µ abs	0.15	G <sup>1</sup> / <sub>4</sub>	0.06kg
<b>Filler breather - filter flange type (unpressurised)</b>									
<b>AB116310</b>	AB.1163.10	CAP.116310	CAP.1163.10	430	N/A	10µ abs	0.45	N/A	0.24kg
<b>AB138010</b>	AB.1380.10	CAP.138010	CAP.1380.10	135	N/A	10µ abs	0.15	N/A	0.08kg
<b>5561</b>	N/A	N/A	N/A	430	N/A	10µ abs	0.45	N/A	0.24kg
<b>Filler breather - filter flange type (pressurised)</b>									
<b>PAB1730105</b>	PAB.1730.10.5	CAP.1730105	CAP.1730.10.5	430	0.35 bar	10µ abs	0.45	N/A	0.27kg
<b>PAB17301010</b>	PAB.1730.10.10	CAP.17301010	CAP.1730.10.10	430	0.70 bar	10µ abs	0.45	N/A	0.27kg
<b>Air breather - threaded type (pressurised)</b>									
<b>SPA1731105</b>	SPA.1731.10.5	N/A	N/A	430	0.35 bar	10µ abs	0.45	G <sup>3</sup> / <sub>4</sub>	0.20kg
<b>SPA17311010</b>	SPA.1731.10.10	N/A	N/A	430	0.70 bar	10µ abs	0.45	G <sup>3</sup> / <sub>4</sub>	0.20kg

Note 1: Part numbers featured with bold highlighted codes will ensure a 'standard' product selection.

Note 2: Alternate displayed part number selection will require you to contact Parker Filtration for availability.

## 1731 - (Pressurised) - 1562 (Un-pressurised) - Threaded type

**Displacement:**

430 l/min.

**Micron rating:**

10µ abs

**Air flow:**

0.45m<sup>3</sup>/min.

**Weight:**

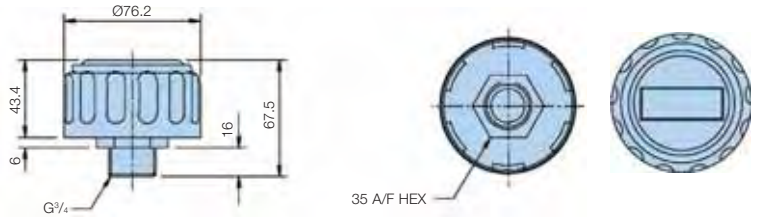
0.2 Kg.

**Thread:**

G<sup>3</sup>/<sub>4</sub>.

**Valve crack-pressure 1731:**

0.35 and  
0.7 bar.



## 1563 - Threaded type (Un-pressurised)

**Displacement:**

1562 = 430 l/min.

1563 = 135 l/min.

**Micron rating:**

10µ abs

**Air flow:**

1562 = 0.45m<sup>3</sup>/min.

1563 = 0.15m<sup>3</sup>/min.

**Weight:**

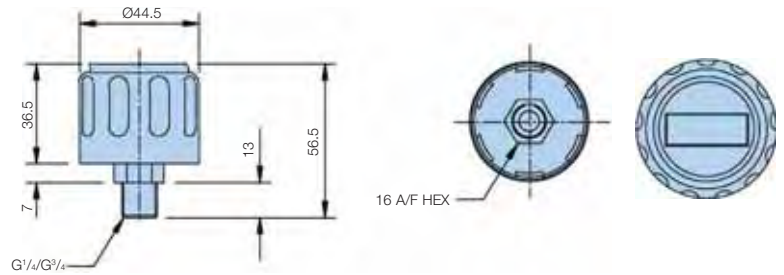
1562 = 0.20 Kg.

1563 = 0.06 Kg.

**Thread:**

1562 = G<sup>3</sup>/<sub>4</sub>.

1563 = G<sup>1</sup>/<sub>4</sub>.



## 1380 - Filter flange type

**Displacement:**

135 l/min.

**Micron rating:**

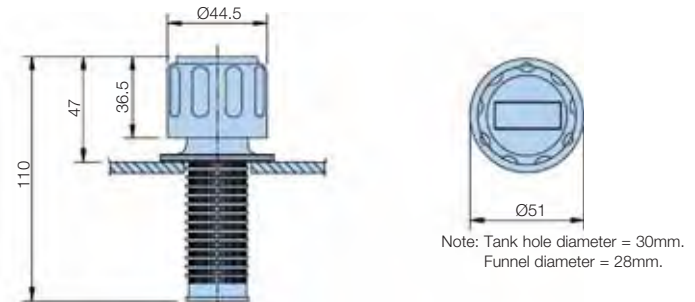
10µ abs

**Air flow:**

0.15m<sup>3</sup>/min.

**Weight:**

0.08 Kg.



### Tank installation notes

#### 1. Un-pressurised 6 hole fixing (Type 1163)

Form off tank mounting holes between Ø4.0 and Ø4.4 (dependant on the material and thickness, consult Parker Filtration) equispaced on 70.0-73.0 P.C.D. to suit  
No. 10 thread forming screws supplied.

#### 2. Pressurised 6 hole fixing (Type 1730)

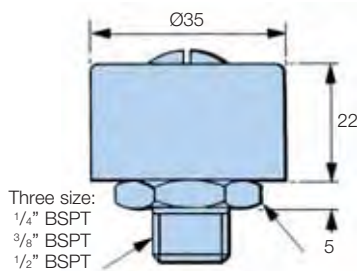
Form 6 off mounting holes between Ø4.0 and Ø4.4 equispaced on 73.0 P.C.D. to suit  
No. 10 thread forming screws supplied.

#### 3. Un-pressurised 3 hole fixing (Type 1380)

Form 3 off tank mounting holes between Ø5.25 – 5.35 mm equispaced on 41.3 P.C.D. to suit  
No. 10 thread forming screws supplied.

## Breather Units

### Small Breather Specification



## Ordering Information

Part number	Supersedes	Description
H00279001	H00279-001	Small breather 1/4 BSPT thread
H00279002	H00279-002	Small breather 3/8 BSPT thread
H00279003	H00279-003	Small breather 1/2 BSPT thread

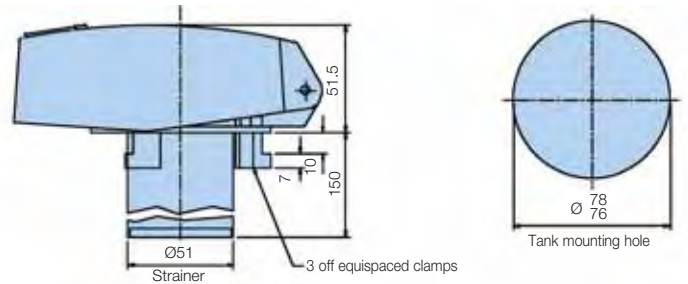
# Lockable Filler Breather

## Reservoir Equipment

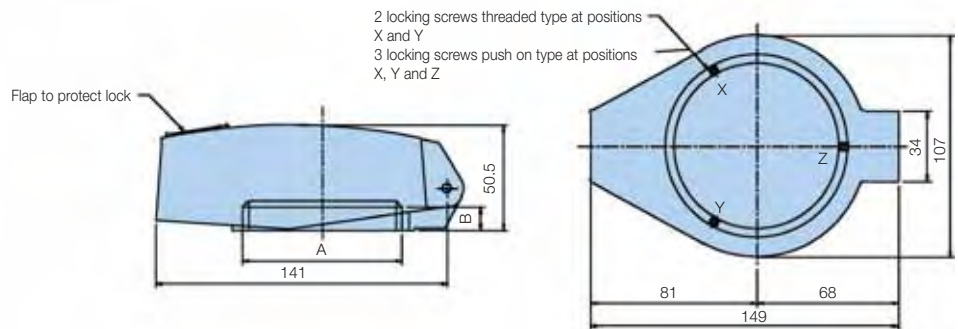
### Installation Details



#### Tank Mounting

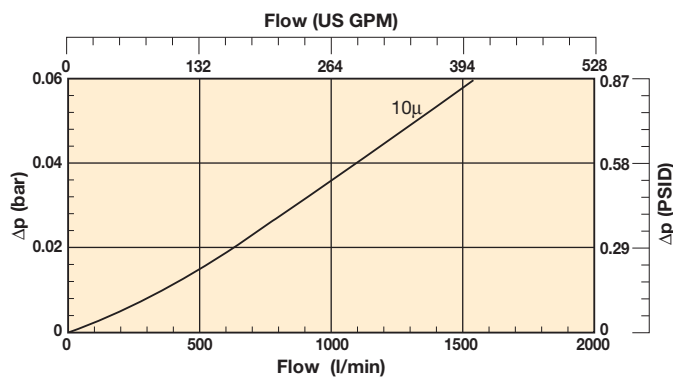


#### Stand Pipe Mounting



### Lockable Filler Breather Selection

#### Total assembly pressure drop flow curve – 10µ elements



### Ordering Information

Part number	Description
<b>LFC622142</b>	Non-breathing (No element) Clamp mounting with strainer
<b>LFC622212</b>	10µ nom element, G2 thread with strainer
<b>LFC622242</b>	10µ nom element, clamp mounting with strainer
<b>LFC622432</b>	10µ nom vented (air in) push on mounting with strainer
<b>LFC622122</b>	Non-breathing (No element) 2 1/2" BSP thread with strainer
<b>LFC622222</b>	10µ nom element, G2 1/2 thread with strainer
<b>LFC622411</b>	10µ nom vented (air in) G2 thread without strainer

Note 1: Part numbers featured with bold highlighted codes will ensure a 'standard' product selection.

Note 2: Alternate displayed part number selection will require you to contact Parker Filtration for availability.





# Spin-On Air Breathers

Reservoir Equipment



## High capacity air breathers

### Ideal for high flow heavy contamination systems

Spin-on air filters for tank mounted breathing solutions offer high capacity, disposable air breathers to remove airborne contamination. 2 x 5 micron models are available – 700 l/min and 1500 l/min ideal for high flow heavy contamination systems.



## Contact Information:

Parker Hannifin  
**Hydraulic Filter Division Europe**

**European Product  
Information Centre**  
Freephone: 00800 27 27 5374  
(from AT, BE, CH, CZ, DE, EE, ES,  
FI, FR, IE, IT, PT, SE, SK, UK)  
filtrationinfo@parker.com

www.parkerhfde.com

## Product Features:

- High capacity air breathers to remove airborne contamination.
- Disposable, 5 micron nominal quality elements.
- Models – 700, 1500, 1700 and 3000 l/min.
- Ideal for high flow heavy contamination systems.

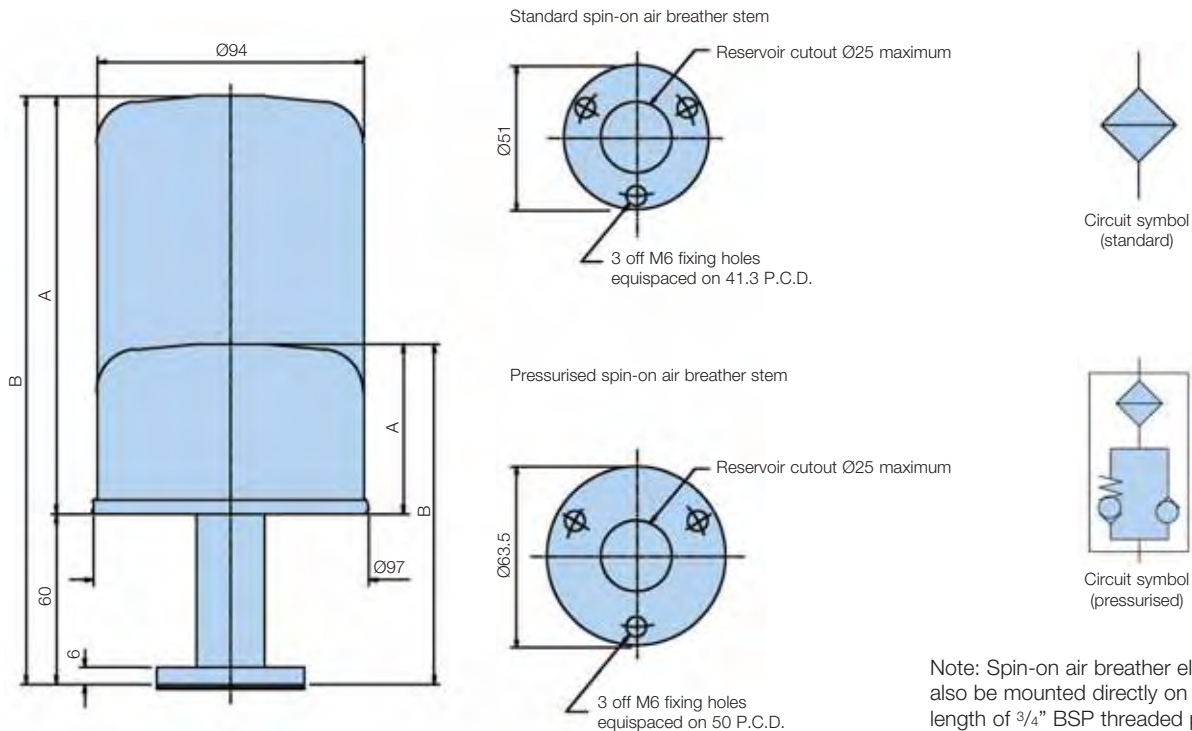
# Spin-On Air Breathers

## Reservoir Equipment

### Specification



- High capacity air breathers designed for the removal of airborne contamination in hydraulic systems to support environmental maintenance.
- Ideal for high flow systems and heavily contaminated environments.
- Disposable spin-on elements quickly and easily replaced.
- 5 micron nominal quality filtration elements.
- 2 models available – 700 l/min and 1500 l/min.
- Available with a pressurised valve in the mounting adaptor.



### Ordering Information

#### 5µ Spin-on air breathers

Part number	Supersedes	Air flow	Valve crack pressure	A mm	B mm	Weight	Replacement element
<b>S340056</b>	N/A	700 l/min	Unpressurised	60	120	0.6Kg	<b>4930</b>
<b>S340052</b>	N/A	1500 l/min	Unpressurised	148	208	0.75Kg	<b>588410</b>
<b>S340058</b>	*S.340058	700 l/min	0.35 Bar	60	120	0.69Kg	<b>4930</b>
<b>S340059</b>	**S.340059	700 l/min	0.70 Bar	60	120	0.69Kg	<b>4930</b>
<b>S340054</b>	*S.340054	1500 l/min	0.35 Bar	148	208	0.8Kg	<b>588410</b>
<b>S340055</b>	**S.340055	1500 l/min	0.70 Bar	148	208	0.8Kg	<b>588410</b>

Note 1: Part numbers featured with bold highlighted codes will ensure a 'standard' product selection.

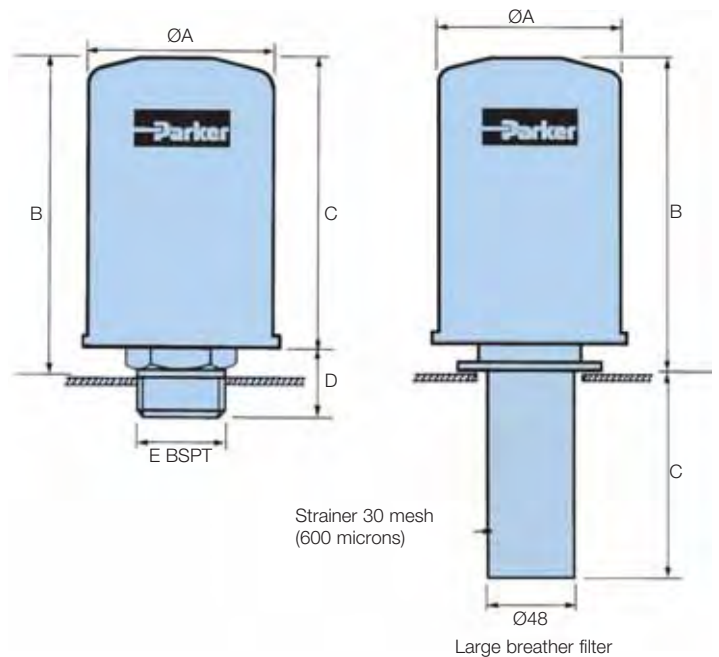
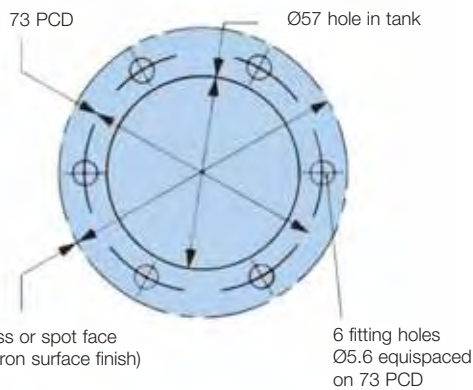
Note 2: Alternate displayed part number selection will require you to contact Parker Filtration for availability.

Note 3: Reservoir must be capable of withstanding pressurisation.



Mounting face for standard and large breather

- High capacity air breathers and filler/breathers designed for the removal of airborne contamination in hydraulic systems to support environmental maintenance.
- Ideal for high flow systems and heavily contaminated environments.
- Disposable spin-on elements quickly and easily replaced.
- 3 micron absolute quality filtration elements.
- Models available – 1700 l/min and 3000 l/min.



## Specification

### Maximum operating temperature:

-20°C to +90°C.

### Construction materials:

Epoxy coated steel components to resist corrosion. resistant paint finish on large breathers.

### Fluid compatibility:

Suitable for use with mineral oils and water oil emulsions.

### Weights:

Large: H00834001 1.0 Kg  
 H00834002 1.65 Kg  
 H00834003 1.90 Kg

Each breather filler is supplied with mounting gaskets and self-tapping screws.

## Ordering Information

### Large breather dimensions

Part number	Supersedes	Air flow l/min	Dimensions (mm)				Ports E
			A	B	C	D	
H00834004	H00834-004	1700	97	147	135	30	¾
H00834005	H00834-005	3000	134	198	180	36	1¼

Note 1: Part numbers featured with bold highlighted codes will ensure a 'standard' product selection.

Note 2: Alternate displayed part number selection will require you to contact Parker Filtration for availability.

### Large breather filler dimensions

Part number	Supersedes	Air flow l/min	Dimensions (mm)			Replacement element complete with bayonet	Supersedes
			A	B	C		
H00834001	H00834-001	1700	97	165	114	H00834006	H00834-006
H00834002	H00834-002	3000	134	204	114	H00834007	H00834-007
H00834003	H00834-003	3000	134	204	203	H00834007	H00834-007



# Fluid Level Measurement

## Fluid Level/Temperature Gauges

### Reservoir Equipment



## A proven solution for tank oil level measurement

### Universal fixing designed for front or rear tank mounting

Fluid level/temperature gauges are available in 3 sizes each with 2-hole mounting at 76mm, 127mm and 254mm mounting centres. The high-visibility viewing lens is a one-piece design for added security, moulded in shatterproof, transparent polyamide.



## Contact Information:

Parker Hannifin  
**Hydraulic Filter Division Europe**

**European Product Information Centre**  
Freephone: 00800 27 27 5374  
(from AT, BE, CH, CZ, DE, EE, ES, FI, FR, IE, IT, PT, SE, SK, UK)  
filtrationinfo@parker.com

www.parkerhfde.com

## Product Features:

- 3 sizes of fluid level/temperature gauge. 2 hole mounting.
- 76mm, 127mm and 254mm mounting centres.
- A one-piece design, high-visibility viewing lens for added security.
- Moulded in shatterproof, transparent polyamide.

## Specification



### Construction:

Lens Transparent polyamide.  
 Lens base Nylon 66.  
 Shroud High impact polystyrene.  
 No aluminium content.

### Bolts:

Steel.

### Seals:

Nitrile.

### Maximum working pressure:

1 bar.

### Working temperature:

-30°C to +90°C.

### Fluid compatibility:

Mineral and petroleum based oils.

### Note:

A 500mm model with metal shroud finished in black available.

### Recommended bolt tightening torque:

10 Nm maximum.

### Thermometer scale range:

+30°C to +90°C.

### Temperature Indicator:

Blue alcohol.

### Note:

1. Locate seals in mounting recess before fitting.
2. Select the size required by studying the installation details to determine a part number.

## Size 1 Installation Details

### For 'through hole' mounting:

Hole size	-Thread-	
	M10	M12
Preferred	11.0	13.0
Maximum	13.0	14.0

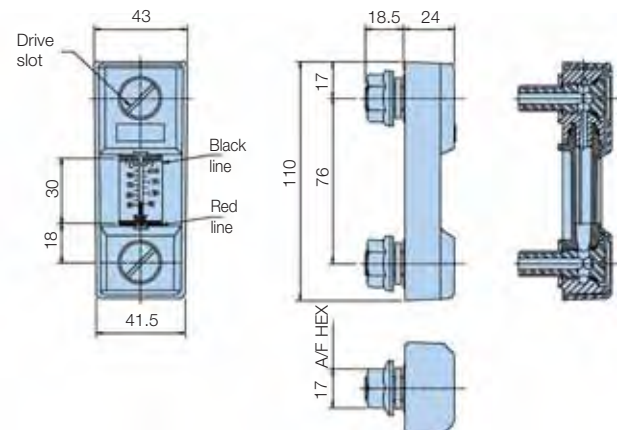
Torque = 10Nm max

### For tapped holes:

Holes to be tapped square to mounting face.  
 Tolerance on hole centres: +0.5  
 -0.2

### For welded back nuts:

The above details should be combined.



## Installation and Application Information

### Simple to Install

The universal fixing is designed for either front or rear fixing. Just two holes in the tank – threaded for front fixing – and the gauge is ready to install. After positioning the gauge the bolts are simply tightened to provide a secure seal. There is no fear of leakage with the square section seals and the two-point mounting system eliminates problems with tank distortion. M10 and M12 bolt thread options are available.

### Easy to Read

The high-visibility lens is one-piece for added security and moulded in shatterproof, transparent polyamide for an accurate and clear oil level and temperature indication. Further gauge protection is provided by a specially designed shroud moulded in high-impact, black polystyrene.

## Size 1 Ordering Information

### Standard products table

Part number	Supersedes	Description	Centres	Thread	Max temp	Weight
<b>FL69121</b>	FLT.121	Fluid level/temp	76mm	M10	90°C	0.13Kg
<b>FL69123</b>	FLT.123	Fluid level/temp	76mm	M12	90°C	0.13Kg
<b>FL69111</b>	FL.111	Fluid level	76mm	M10	90°C	0.13Kg
<b>FL69113</b>	FL.113	Fluid level	76mm	M12	90°C	0.13Kg

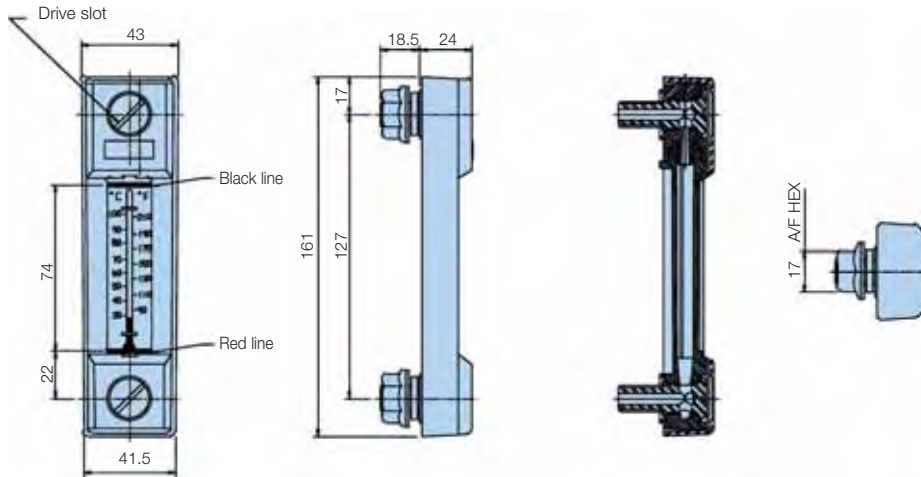
Note 1: Part numbers featured with bold highlighted codes will ensure a 'standard' product selection.

Note 2: Alternate displayed part number selection will require you to contact Parker Filtration for availability.

# Fluid Level/Temperature Gauges

## Reservoir Equipment

### Size 2 Installation Details



### Size 2 Ordering Information

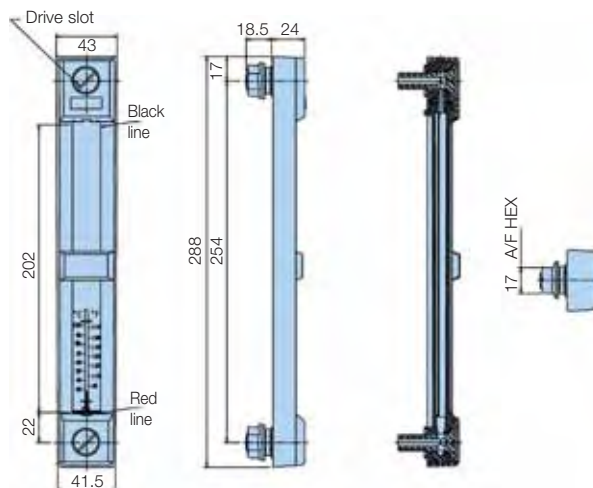
#### Standard products table

Part number	Supersedes	Description	Centres	Thread	Max temp	Weight
<b>FL69221</b>	FLT.221	Fluid level/temp	127mm	M10	90°C	0.15Kg
<b>FL69223</b>	FLT.223	Fluid level/temp	127mm	M12	90°C	0.15Kg
<b>FL69211</b>	FL.211	Fluid level	127mm	M10	90°C	0.15Kg
<b>FL69213</b>	FL.213	Fluid level	127mm	M12	90°C	0.15Kg

Note 1: Part numbers featured with bold highlighted codes will ensure a 'standard' product selection.

Note 2: Alternate displayed part number selection will require you to contact Parker Filtration for availability.

### Size 3 Installation Details



### Size 3 Ordering Information

#### Standard products table

Part number	Supersedes	Description	Centres	Thread	Max temp	Weight
<b>FL69321</b>	FLT.321	Fluid level/temp	254mm	M10	90°C	0.23Kg
<b>FL69323</b>	FLT.323	Fluid level/temp	254mm	M12	90°C	0.23Kg
<b>FL69311</b>	FL.311	Fluid level	254mm	M10	90°C	0.23Kg
<b>FL69313</b>	FL.313	Fluid level	254mm	M12	90°C	0.23Kg

Note 1: Part numbers featured with bold highlighted codes will ensure a 'standard' product selection.

Note 2: Alternate displayed part number selection will require you to contact Parker Filtration for availability.

# Reservoir Float & Level Switches

Reservoir Equipment



## Cost effective reservoir solution

### Float switches designed for on-site adjustment

A range of high quality, adjustable float switches. A reliable design using reed switches and available in 3 lengths – 500mm, 1000mm and 1500mm. Additionally a capacitive level switch is available designed to detect the loss of fluid below its position in the tank.



## Contact Information:

Parker Hannifin  
**Hydraulic Filter Division Europe**

**European Product Information Centre**  
Freephone: 00800 27 27 5374  
(from AT, BE, CH, CZ, DE, EE, ES, FI, FR, IE, IT, PT, SE, SK, UK)  
filtrationinfo@parker.com

www.parkerhfde.com

## Product Features:

- Adjustable float switches – 3 lengths available.
- Capacitive level switch designed to give a low level alarm.
- High quality, adjustable float switches available in 3 lengths – 500mm, 1000mm and 1500mm.
- Capacitive level switch – rugged construction, simple to install and with no moving components.
- Cost effective reservoir solutions with many applications.

# FL Series

## Adjustable Float Switch Reservoir Equipment

### Features & Benefits



The **FL Series** is a range of vertically mounted, single float level switches operating on the proven reed switch and magnet principle.

The **FL Series** float switch can be tailored by the user for a particular application, by adjusting the length of the float switch tube. It is also possible for the user to select the switching configuration by inverting the float, giving either open on rise or close on rise operation.

The unit is supplied part assembled, with detailed instructions for the user to complete assembly to the specifications of the application and to install the unit.

### Float Switch Features Include:

- Float switches can be adjusted on site
- Reliable design using reed switches
- 3 lengths available, 500mm, 1000mm and 1500mm

The **FL Series** is designed to be adjusted by the user to fit their tank. The unit consists of a stem with the reed switch and float already set in position. The customer can cut the stem to fit their tank, and assemble it to the header. The unit is then ready to be fitted to the tank.

The unit has a factory set “Open On Rise” switching configuration, but this can be changed by reversing the float.

Note: FL Series switches supplied as loose parts so no IP class applies. If assembled correctly by the customer, the IP class is IP67.

### Typical Specification

#### Installation

Mounting: 1" BSP threaded header  
Gasket: 2.0mm thick sealing washer  
Length: Adjustable up to 1500mm

#### Electrical specification

Supply voltage: 240 Vac maximum  
300 Vdc maximum

Switching current: 0.5A

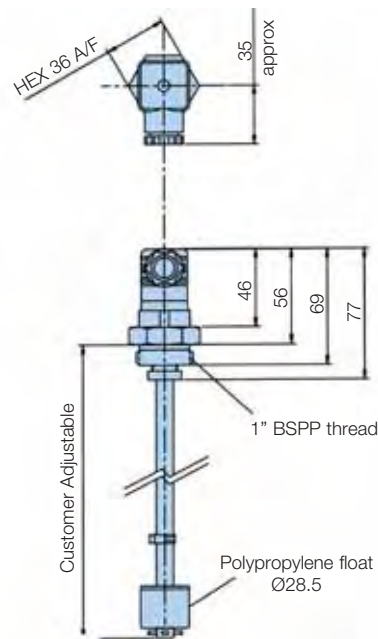
#### Material specification

Header: Brass                      Stem: Brass  
Float: Polypropylene          Gasket: Klingersil grade C4324  
to BS7531 grade Y

#### Other parameters

Fluid types: Any liquids compatible with brass and polypropylene

### Installation Drawing



### Ordering Information

#### Standard products table

Part number	Supersedes	Description
<b>FL050010R</b>	FL-0500-1-0R	500mm long float level switch
<b>FL100010R</b>	FL-1000-1-0R	1000mm long float level switch
<b>FL150010R</b>	FL-1500-1-0R	1500mm long float level switch

Note 1: Part numbers featured with bold highlighted codes will ensure a ‘standard’ product selection.

Note 2: Alternate displayed part number selection will require you to contact Parker Filtration for availability.



# CLS46

## Capacitive Level Switch Reservoir Equipment

### Features & Benefits



The **CLS46 Liquid Level Switch** is an active device which is designed to give an alarm signal if fluid falls below a preset level. It will only give an output signal after a few seconds of low level to eliminate false alarms due to turbulence. The fact that the **CLS46 Series** has no moving parts and incorporates a built in delay means that it is ideal in applications where mechanically operated switches mis-trigger due to vibration and fluid turbulence.

### Features Include:

- Rugged construction
- Simple to install
- Delay circuitry prevents false alarms
- Purely electronic, no moving components
- Integrated test feature

The **CLS46 Capacitive Level Switch** is designed to detect the loss of fluid below its position in the tank.

The **CLS46 Series** has no moving parts and it is therefore suitable for all applications, particularly where space and access inside a vessel is at a minimum.

The **CLS46 Series** compliments the existing range of level measurement instrumentation supplied by Parker Hannifin.

### Technical Specification

Dimensions: See drawing

#### Electrical rating:

Supply voltage: 7-40 Vdc      Supply current: 3.0mA  
Max. load current: 1.0A      Alarm delay time: 10.0 seconds

#### Connections:

V+: Positive power supply  
GND: Negative power supply or GND  
Output: Transistor switched to GND on alarm  
Test: Ground to operate  
Body: Connected to ground

#### Fluid types:

Mineral oils, typically used in engines or hydraulic actuators compatible with brass, PTFE and NBR.

#### Construction:

Body: Brass      Probe: PTFE  
Terminals: SAE CA210 brass, tin plated  
Seals: NBR  
Connector: 30% glass filled nylon 6

#### Environmental ratings

Max. pressure: 5.0 bar (72 PSI)  
Temp. ranges: Fluid: -40°C to +130°C  
Ambient: -40°C to +100°C  
Storage: -50°C to +140°C

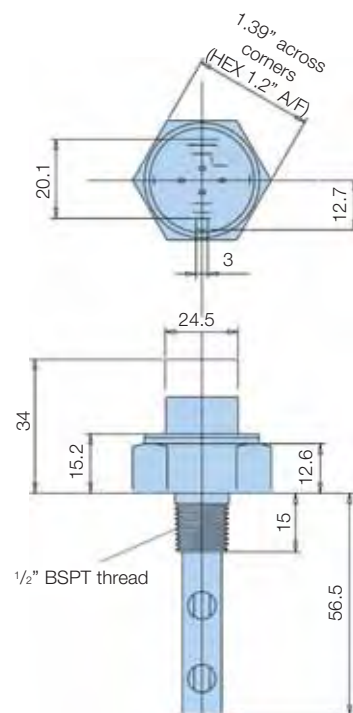
Sealing: IP67

Vibration: 6g 10-50Hz (600-3000rpm)

Shock: 50g, 6.3mS

Weight: 53g

### Installation Details



### Ordering Information

#### Standard products table

Part number	Description
<b>CLS46</b>	Capacitive fluid level sensor
CLS46Connector	Capacitive fluid level sensor connector

Note 1: Part numbers featured with bold highlighted codes will ensure a 'standard' product selection.

Note 2: Alternate displayed part number selection will require you to contact Parker Filtration for availability.

Note 3: CLS46 does not include the connector.



# Suction Elements

Reservoir Equipment



## Proven solutions for oil reservoir efficiency

### A range of quality fluid power products for reservoir and system application

A high quality range of products designed to complete a reservoir installation including in-tank suction strainers and oil diffusers, metal and polyester in-line filters and drive couplings with nylon sleeve and sintered steel couplings. Inline check valves, single station gauge isolator valve and 63mm/100mm pressure gauges are also available.



## Contact Information:

Parker Hannifin  
**Hydraulic Filter Division Europe**

**European Product Information Centre**  
Freephone: 00800 27 27 5374  
(from AT, BE, CH, CZ, DE, EE, ES, FI, FR, IE, IT, PT, SE, SK, UK)  
filtrationinfo@parker.com

www.parkerhfde.com

## Product Features:

- In-tank suction strainers and oil diffusers.
- Metal and polyester in-line filters and drive couplings.
- Inline check valves.
- Gauge isolator valves and 63mm/100mm pressure gauges.

# Suction Elements

## Reservoir Equipment

### Specification



#### Construction:

Stainless steel media 30% glass filled nylon head. Zintec centre tube. Epoxy adhesives.

**Maximum working temperature:**  
90°C.

**Maximum clear element pressure drop:**  
0.03 bar.

**Filtration media:**  
125 micron\*.

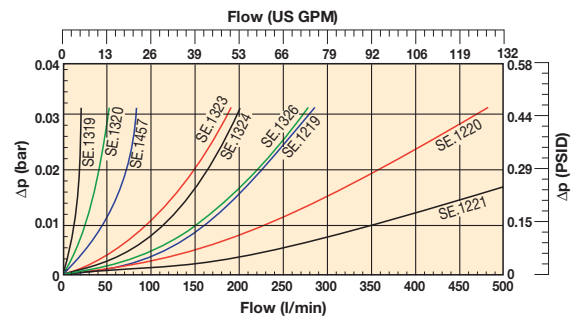
**Flow range:**  
15-500 l/min (for 30cst).

**Bypass rating:**  
0.17 bar.

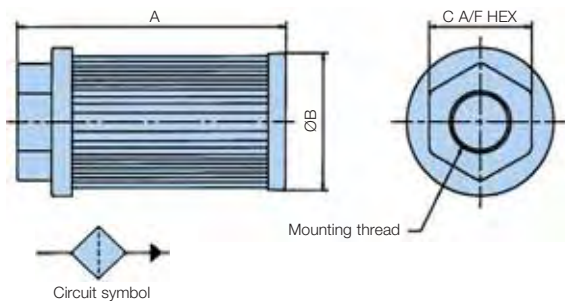
#### Mounting threads:

G<sup>1</sup>/<sub>2</sub> up to G3.

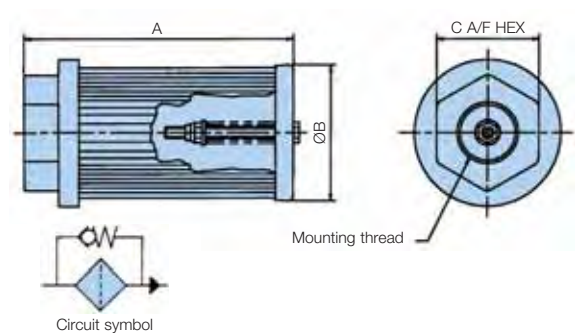
\* Non-standard elements are available to order. Consult Parker Filtration.



### Installation - Suction Elements Without Bypass



### Installation - Suction Elements with Bypass



### Ordering Information - Without Bypass

#### Standard products table

Part number	Supersedes	Flow l/min	Ports BSP	Micron rating	Dimensions (mm)			Weight	Bypass rating
					A	B	C		
<b>SE75111110</b>	SE.1319	15	1/2	125	105.5	46	36	0.08	N/A
<b>SE75221110</b>	SE.1320	25	3/4	125	109.5	64	46	0.15	N/A
<b>SE75231210</b>	SE.1457	50	1	125	139.5	64	55	0.17	N/A
<b>SE75351210</b>	SE.1323	95	1 1/2	125	140	86	65	0.28	N/A
<b>SE75351310</b>	SE.1324	130	1 1/2	125	200	86	65	0.33	N/A
<b>SE75361410</b>	SE.1326	180	2	125	260	86	75	0.40	N/A
<b>SE75461210</b>	SE.1219	225	2	125	150	150	70	0.64	N/A
<b>SE75471310</b>	SE.1220	350	2 1/2	125	212	150	90	0.72	N/A
<b>SE75481410</b>	SE.1221	500	3	125	272	150	100	0.92	N/A

Note 1: Part numbers featured with bold highlighted codes will ensure a 'standard' product selection.

Note 2: Alternate displayed part number selection will require you to contact Parker Filtration for availability.

### Ordering Information - With Bypass

#### Standard products table

Part number	Supersedes	Flow l/min	Ports BSP	Micron rating	Dimensions (mm)			Weight	Bypass rating
					A	B	C		
<b>SE75111111</b>	SE.5100	15	1/2	125	105.5	46	36	0.08	0.17 bar
<b>SE75221111</b>	SE.5101	25	3/4	125	109.5	64	46	0.15	0.17 bar
<b>SE75231211</b>	SE.5102	50	1	125	139.5	64	55	0.17	0.17 bar
<b>SE75351211</b>	SE.5103	95	1 1/2	125	140	86	65	0.28	0.17 bar
<b>SE75351311</b>	SE.5104	130	1 1/2	125	200	86	65	0.33	0.17 bar
<b>SE75361411</b>	SE.5105	180	2	125	260	86	75	0.40	0.17 bar
<b>SE75461211</b>	SE.5106	225	2	125	150	150	70	0.64	0.17 bar
<b>SE75471311</b>	SE.5107	350	2 1/2	125	212	150	90	0.72	0.17 bar
<b>SE75481411</b>	SE.5108	500	3	125	272	150	100	0.92	0.17 bar

Note 1: Part numbers featured with bold highlighted codes will ensure a 'standard' product selection.

Note 2: Alternate displayed part number selection will require you to contact Parker Filtration for availability.



# Diffusers

## Reservoir Equipment

### Installation Details



### Specification

**Construction:**

Zintec body.  
30% glass-filled nylon head.  
Zintec end cap.  
Epoxy adhesives.

**Mounting threads:**

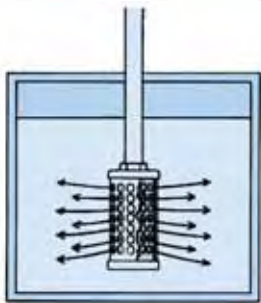
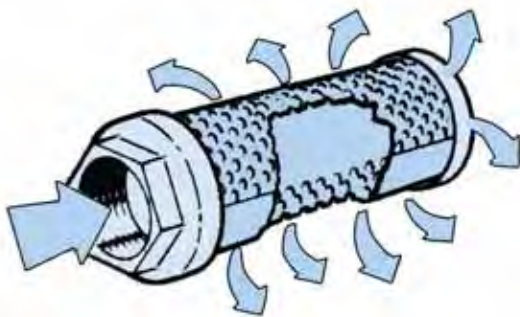
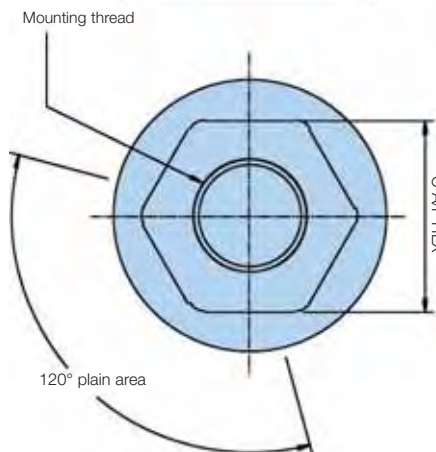
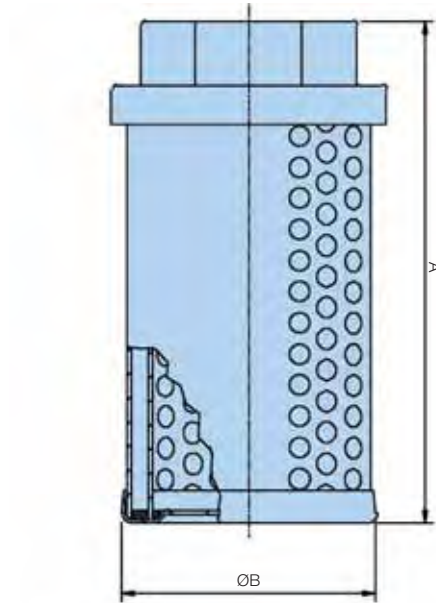
G<sup>3/4</sup> up to G2.

**Temperature:**

+ 90°C max.

**Flow range:**

50 l/min up to 454 l/min (For 30cSt).



**The effect of fitting a diffuser**

Note: When installing a diffuser the plain area on the outside must be facing the pump inlet.

Note: For information relating to maximum differential pressure over the diffuser, consult Parker Filtration.

**The benefits of specifying a Parker Filtration Diffuser**

Installing a Parker Filtration Diffuser in a hydraulic reservoir is a simple operation that can make a big difference to system efficiency.

With its special concentric tubes designed with discharge holes 180° opposed fluid aeration, foaming and reservoir noise are reduced and pump life extended by reducing cavitation to the pump inlet.

Diffusers manufactured to customer specifications and other sizes of diffusers are available.

### Ordering Information

**Standard products table**

Part number	Flow l/min	Ports BSP	Dimensions (mm)			Weight
			A	B	C	
<b>2201</b>	114	1	127	86	55	0.42
<b>2202</b>	227	1½	178	86	65	0.56
<b>2210</b>	50	¾	120	62	46	0.27
<b>2203</b>	454	2	242	86	75	0.69

Note 1: Part numbers featured with bold highlighted codes will ensure a 'standard' product selection.

Note 2: Alternate displayed part number selection will require you to contact Parker Filtration for availability.



# Inline Filters

## Reservoir Equipment

### Metal Inline Filter - Specification



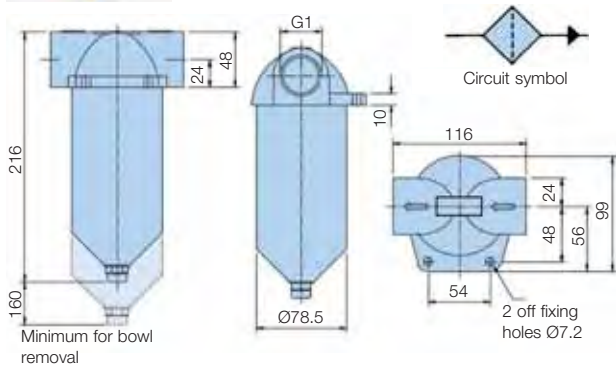
**Construction:**  
Head – zinc.  
Bowl – Aluminium  
BS1470/1050A. 1987.  
**Element:**  
Zintec/Stainless steel.  
125 micron\*.

**Max. flow:**  
90 l/min.  
**Max working pressure:**  
7 bar.  
**Thread:**  
G1.

**Working temperature:**  
-30°C to +80°C.  
**Seal:**  
Nitrile.  
**Bowl tightening torque:**  
12 Nm.

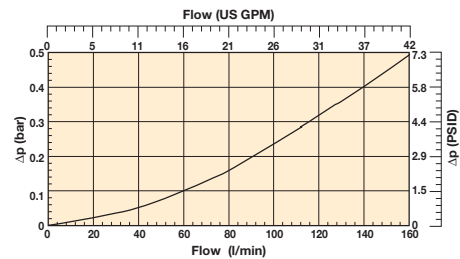
**Flow direction:**  
From outside to inside.  
**Weight:**  
1.5 Kg.  
\*Alternative media can be specified.

### Installation Details



### Filter Selection

**Total assembly pressure drop flow curve**  
Oil Viscosity 30 cSt Relative density 0.856



### Ordering Information

#### Standard products table

Part number	Flow l/min	Thread BSP	Micron rating	Replacement element	Supersedes
<b>IL1115</b>	90	G1	125	<b>EIL1115</b>	E.IL.1115

Note 1: Part numbers featured with bold highlighted codes will ensure a 'standard' product selection.  
Note 2: Alternate displayed part number selection will require you to contact Parker Filtration for availability.

### Non-Corrodible Inline Filter - Specification



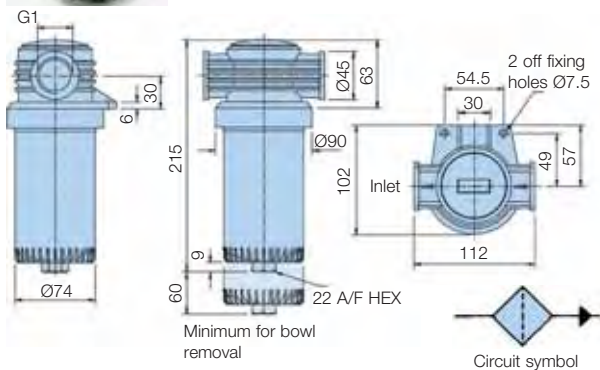
**Construction:**  
Housing and bowl moulded in polyester.  
**Element:**  
Stainless steel mesh.  
125 micron\*.  
**Max. flow:**  
120 l/min.

**Max working pressure:**  
7 bar.  
**Thread:**  
G1.  
\*For alternative media consult Parker Filtration  
Note: When using with water, protect from

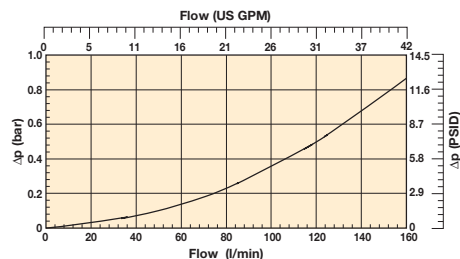
freezing.  
**Working temperature:**  
-30°C to +80°C.  
(+60°C water).  
**Seal:**  
Nitrile.  
**Bowl tightening torque:**  
12 Nm.

**Bowl tightening note:**  
A box or ring spanner is recommended.  
**Flow direction:**  
From outside to inside.  
**Weight:**  
0.5 Kg.

### Installation Details



**Total assembly pressure drop flow curve**  
Oil Viscosity 30 cSt Relative density 0.856



### Ordering Information

#### Standard products table

Part number	Supersedes	Thread BSP	Appliance	Micron rating	Weight	Replacement element
<b>IL761151</b>	IL.1151	1	Oil	125	0.5	<b>R.76115</b>
<b>IL761251</b>	IL.1251	1	Water	125	0.5	<b>R.76125</b>

Note 1: Part numbers featured with bold highlighted codes will ensure a 'standard' product selection.  
Note 2: Alternate displayed part number selection will require you to contact Parker Filtration for availability.



# Drive Couplings

## Reservoir Equipment

### Technical Data



#### Materials

**Coupling halves**  
Sintered Steel

**Sleeve**  
Nylon 66

**Max temp sleeve**  
83°C

To select coupling model check application to establish running load condition.

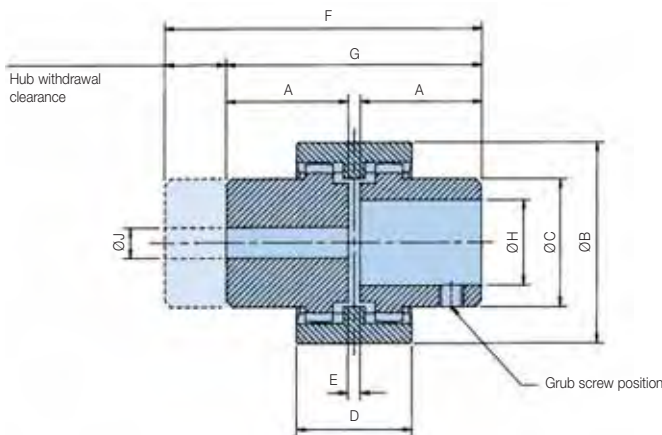
Check chart for factor (F) and apply factor (F) to \*Rating of coupling formulae. This answer you now apply to \*Rating/100 rev/min below.

It is advisable always to check shaft sizes being used on application and check with dimension 'H'.

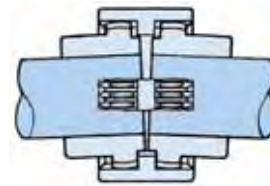
Application	Factor (F)	
	Electric motor	Petrol/diesel engine
Uniform load	1.00	1.20
Medium shock	1.25	1.50
Heavy shock	1.75	2.00

$$\text{*Rating of coupling} = \frac{\text{HP of application} \times 100 \times F}{\text{rev/min of application}}$$

### Installation Details



#### Sectioned detail



Part number prefix	Max speed rev/min	*Rating/ 100 rev/min		Weight	A mm	B mm	C mm	D mm	E mm	F mm	G mm	max bore	-H- min bore	J pilot bore
		kW	hp											
DC28*	5000	0.75	1.00	0.4	40.0	66.0	44.5	38.0	4.0	104.0	84.0	28.0	10.0	7.0
DC42*	5000	1.32	1.75	0.75	42.0	90.0	60.0	42.0	4.0	115.0	88.0	42.0	14.0	10.5
DC55*	4000	6.00	8.00	2.05	59.0	125.0	83.0	65.0	4.0	158.0	122.0	55.0	19.0	16.0 min 38.1 max

#### Height of keyway from base of bore

	Metric	Imperial
Standard bore	BS 4500, (1985)	BS 1916, Part 1, (1985)
Standard keyway	BS 4325, Part 1 (1980)	BS 46, Part 1, (1985)

#### Assembly data

- Maximum angular misalignment is ±2°. Maximum radial misalignment is ±0.4mm.
- Ensure that the Parker Filtration drive coupling gear hubs are an easy fit to their respective shafts. Do not use heavy blows to force the hubs on.
- When in position, the hubs should have a gap of 4mm as denoted by 'E' dimension.
- Tighten grub screws to locate both gear hubs on to their respective shafts.

### Ordering Examples

Parker Filtration drive coupling components are ordered separately. Here are three examples of complete assemblies ordered this way.

- Complete assembly – **DC28M14B04K**  
Made up of a **DC28M14**  
**DC28B04K**  
**DC28.S** (Sleeve)

Complete model **DC28** drive coupling: One gear hub has 14mm bore with 5mm wide keyway and other hub has a 1/2" bore with 0.125" wide keyway.

Both hubs supplied with locating grub screw.

- Complete assembly – **DCR42PBB**  
Made up of 2x **DCR42PB's**  
**DC42S** (Sleeve)

Complete model **DC42** drive coupling: Both gear hubs have pilot bore of 10.5mm. Not supplied with grub screws.

- Complete assembly – **DCR55PBB12K**  
Made up of a **DCR55PB**  
**DC55B12K**  
**DC55S** (Sleeve)

Complete model **DC55** drive coupling: One gear hub pilot bored 5/8", the other hub pilot bored 1 1/2". Latter only supplied with grub screw.



# Drive Couplings

## Reservoir Equipment

### Ordering Information

#### Model DC.28

Part number	Supersedes	Ø Bore (mm)	Keyway		Weight
			Width (mm)	Height (mm)	
<b>DC28M16</b>	DC.28.M16	16.0mm	5.0mm	18.4mm	Range from 0.259Kg to 0.411Kg
<b>DC28M19</b>	DC.28.M19	19.0mm	6.0mm	21.9mm	
<b>DC28M20</b>	DC.28.M20	20.0mm	6.0mm	22.9mm	
<b>DC28M22</b>	DC.28.M22	22.0mm	6.0mm	24.9mm	
<b>DC28M24</b>	DC.28.M24	24.0mm	8.0mm	27.5mm	
<b>DC28M25</b>	DC.28.M25	25.0mm	8.0mm	28.5mm	
<b>DC28M28</b>	DC.28.M28	28.0mm	8.0mm	31.5mm	
<b>DCR28PB</b>	DCR.28.PB	8.0mm	N/A	N/A	
<b>DC28S</b>	DC.28.S	N/A	N/A	N/A	
<b>DC28M10</b>	DC.28.M10	10.0mm	3.0mm	11.5mm	
<b>DC28M11</b>	DC.28.M11	11.0mm	4.0mm	12.9mm	
<b>DC28M14</b>	DC.28.M14	14.0mm	5.0mm	16.4mm	
<b>DC28M18</b>	DC.28.M18	18.0mm	6.0mm	20.9mm	
DC28B03K	DC.28.B03K	$\frac{7}{16}$	0.125 ins	0.50 ins	
DC28B04K	DC.28.B04K	$\frac{1}{2}$	0.125 ins	0.57 ins	
DC28B05K	DC.28.B05K	$\frac{5}{8}$	0.188 ins	0.72 ins	
DC28B06K	DC.28.B06K	$\frac{3}{4}$	0.188 ins	0.84 ins	
DC28B07K	DC.28.B07K	$\frac{7}{8}$	0.250 ins	0.99 ins	
DC28B08K	DC.28.B08K	1	0.250 ins	1.12 ins	
DC28B09K	DC.28.B09K	$1\frac{1}{8}$	0.313 ins	1.24 ins	

#### Model DC.42

Part number	Supersedes	Ø Bore (mm)	Keyway		Weight
			Width (mm)	Height (mm)	
<b>DC42M25</b>	DC.42.M25	25.0mm	8.0mm	28.5mm	Range from 0.436Kg to 0.753Kg
<b>DC42M28</b>	DC.42.M28	28.0mm	8.0mm	31.5mm	
<b>DC42M30</b>	DC.42.M30	30.0mm	8.0mm	33.5mm	
<b>DC42M35</b>	DC.42.M35	35.0mm	10.0mm	38.5mm	
<b>DC42M38</b>	DC.42.M38	38.0mm	10.0mm	41.5mm	
<b>DC42M42</b>	DC.42.M42	42.0mm	12.0mm	45.5mm	
<b>DCR42PB</b>	DCR.42.PB	12.0mm	N/A	N/A	
<b>DC42S</b>	DC.42.S	N/A	N/A	N/A	
<b>DC42M18</b>	DC.42.M18	18.0mm	6.0mm	20.9mm	
<b>DC42M19</b>	DC.42.M19	19.0mm	6.0mm	21.9mm	
<b>DC42M20</b>	DC.42.M20	20.0mm	6.0mm	22.9mm	
<b>DC42M22</b>	DC.42.M22	22.0mm	6.0mm	24.9mm	
<b>DC42M24</b>	DC.42.M24	24.0mm	8.0mm	27.5mm	
<b>DC42M32</b>	DC.42.M32	32.0mm	10.0mm	35.5mm	
DC42B05K	DC.42.B05K	$\frac{5}{8}$	0.188 ins	0.72 ins	
DC42B06K	DC.42.B06K	$\frac{3}{4}$	0.188 ins	0.84 ins	
DC42B07K	DC.42.B07K	$\frac{7}{8}$	0.250 ins	0.99 ins	
DC42B08K	DC.42.B08K	1	0.250 ins	1.12 ins	
DC42B09K	DC.42.B09K	$1\frac{1}{8}$	0.313 ins	1.24 ins	
DC42B10K	DC.42.B10K	$1\frac{1}{4}$	0.313 ins	1.37 ins	
DC42B11K	DC.42.B11K	$1\frac{3}{8}$	0.375 ins	1.49 ins	
DC42B12K	DC.42.B12K	$1\frac{1}{2}$	0.375 ins	1.61 ins	
DC42B13K	DC.42.B13K	$1\frac{5}{8}$	0.439 ins	1.76 ins	

#### Model DC.55

Part number	Supersedes	Ø Bore (mm)	Keyway		Weight
			Width (mm)	Height (mm)	
<b>DCR55PB</b>	DCR.55.PB	16.0mm	N/A	N/A	Range from 1.248 Kg – 2.046 Kg
<b>DC55S</b>	DC.55.S	N/A	N/A	N/A	
DC55M25	DC.55.M25	25.0mm	8.0mm	28.5mm	
DC55M28	DC.55.M28	28.0mm	8.0mm	33.5mm	
DC55M30	DC.55.M30	30.0mm	8.0mm	33.5mm	
DC55M32	DC.55.M32	32.0mm	10.0mm	35.5mm	
DC55M35	DC.55.M35	35.0mm	10.0mm	38.5mm	
DC55M38	DC.55.M38	38.0mm	10.0mm	41.5mm	
DC55M42	DC.55.M42	42.0mm	12.0mm	45.5mm	
DC55M55	DC.55.M55	55.0mm	16.0mm	59.5mm	
DC55B09K	DC.55.B09K	$1\frac{1}{8}$	0.313 ins	1.24 ins	
DC55B10K	DC.55.B10K	$1\frac{1}{4}$	0.313 ins	1.37 ins	
DC55B11K	DC.55.B11K	$1\frac{3}{8}$	0.375 ins	1.49 ins	
DC55B12K	DC.55.B12K	$1\frac{1}{2}$	0.375 ins	1.61 ins	
DC55B13K	DC.55.B13K	$1\frac{5}{8}$	0.439 ins	1.76 ins	
DC55B14K	DC.55.B14K	$1\frac{3}{4}$	0.439 ins	1.89 ins	
DC55B15K	DC.55.B15K	$1\frac{7}{8}$	0.501 ins	2.01 ins	
DC55B16K	DC.55.B16K	2	0.501 ins	2.13 ins	
DC55B17K	DC.55.B17K	$2\frac{1}{8}$	0.626 ins	2.31 ins	

Note 1: Part numbers featured with bold highlighted codes will ensure a 'standard' product selection.

Note 2: Alternate displayed part number selection will require you to contact Parker Filtration for availability.

Note 3:\* Width and height apply to dimensions of the **Keyway**.



# Multiclamp

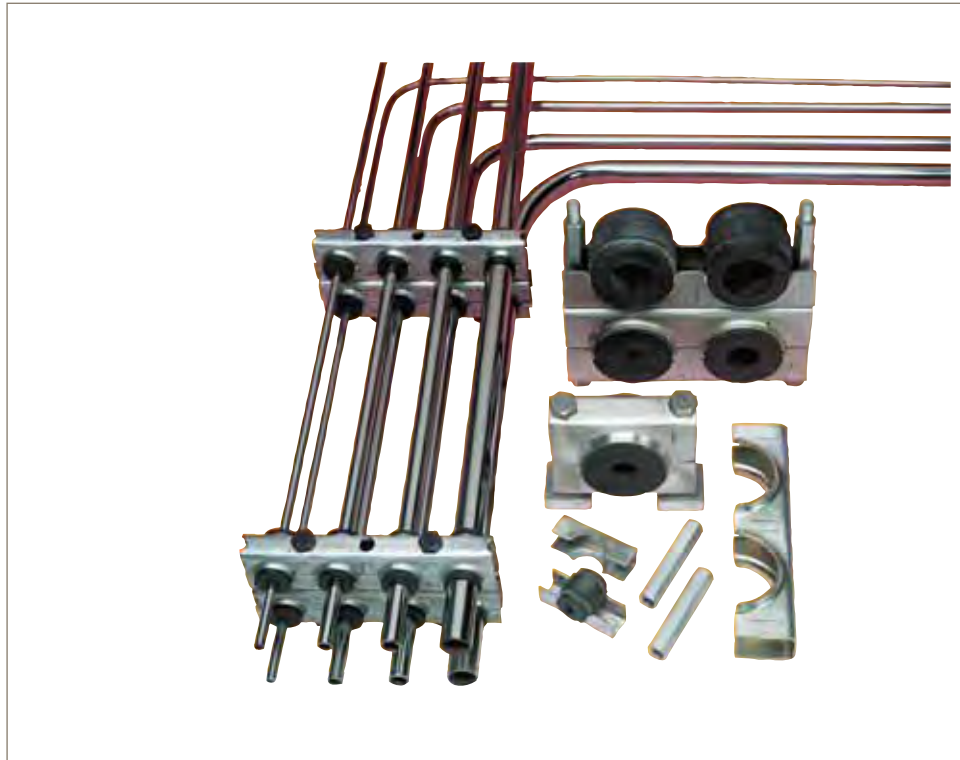
## Pipe Clamp System



## A 'fit for purpose' pipe clamping system

### Leak free, noise free and vibration free pipe clamping

Multiclamp is a system of components, each one engineered to a high standard – that together build to provide effective, all-purpose pipe work clamping. Available as single clamp, double clamp, 12 or 16 hole Multiclamp, there is a complete range of split bushes to accept pipe or hose diameters from 6mm up to 50mm from 3 x Series of Multiclamp.



## Contact Information:

Parker Hannifin  
**Hydraulic Filter Division Europe**

**European Product Information Centre**  
Freephone: 00800 27 27 5374  
(from AT, BE, CH, CZ, DE, EE, ES, FI, FR, IE, IT, PT, SE, SK, UK)  
filtrationinfo@parker.com

www.parkerhfde.com

## Product Features:

- High quality pipe clamping system in 3 ranges - Series 10, 16 or 32.
- Pipe or hose diameters from 6mm up to 50mm.
- 26 different diameter, high quality split rubber bushes.
- Zinc plated steel construction with anti-corrosive, full passivate.
- Stainless Steel clamp available.





**When only the best Clamping System will do ....specify Multiclamp**

Multiclamp is a system. A system of components, each one engineered to a high standard – that together build to provide effective, all-purpose pipework clamping. Multiclamp offers creative and cost-effective environmental benefits to the system designer and installer. Creating accurate runs of varying diameter tubes, pipes, hoses and cables in all industries.

**Secure Multiclamp installations ensure a leak free, noise free and vibration free system.**

The neat design of pipe line runs offers easy maintenance of machinery and plant equipment. Visual planning of line runs is straightforward with Multiclamp – accurate installations can be achieved without skilled labour – keeping costs down and quality up.

**Planning with Multiclamp**

These notes have been compiled to assist in planning your Multiclamp system.

Multiclamp offers considerable flexibility. For example, it can fit in with a factory installation that is being built in phases.

Should a last minute change in pipe diameter occur during installation, an alternative rubber bush is likely to be all that is required. Not a complete and expensive re-think of the installation.

Multiclamp metal components can be sprayed to match a vehicle livery or plant installation and, if installed properly, should require no maintenance.

**Installation is simple and requires no experience**

Anyone can use Multiclamp and only the basic, everyday tools are required.

From one pipe to almost any number – because each Multiclamp ‘position’ can be visually sighted and its position adjusted – an almost guaranteed straight run can be obtained. Equally, changes of plane or direction can be achieved simply and securely.

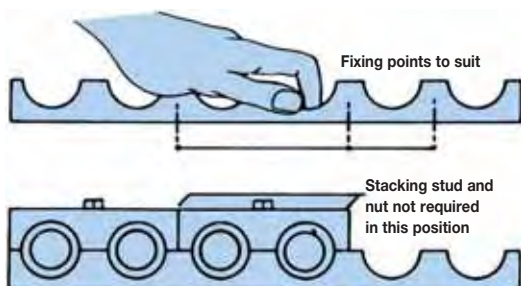
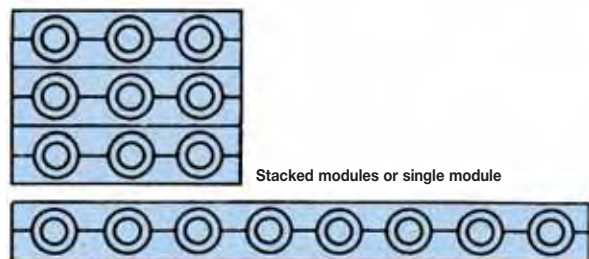
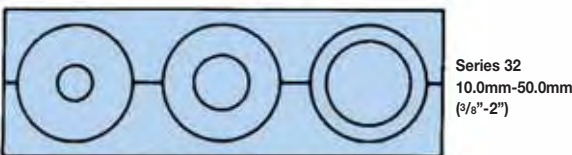
Group pipe sizes together to obtain the most economical use of three basic Multiclamp Series.

Some sites will require all pipes mounted in one single plane – either vertical or horizontal.

When stacked modules are preferred, the only work to be done on the Multiclamp is to saw off the desired length.

If a large number of pipe lines are to be run, it is recommended that the upper clamping unit is simply cut into two lines only, and progressively assembled by securing two pipes at a time. It will be recognised that most odd lengths on site will be used, and one man can easily cope with a large number of pipe lines by this simple progressive build up. This assembly will provide easy access for servicing and replacing pipes. This method also reduces the quantity of Stacking Nuts and Studs by 50%.

If a factory installation is being built in phases, it would be wise to leave the first phase with a lower clamping unit and Stacking Nuts in position ready to receive pipe runs for the next building phase.



Your maximum pipe size will determine the series to use. There is a degree of versatility provided by the rubber bushes. You choose from single or multistacked Multiclamp, whichever suits your particular installation requirements.



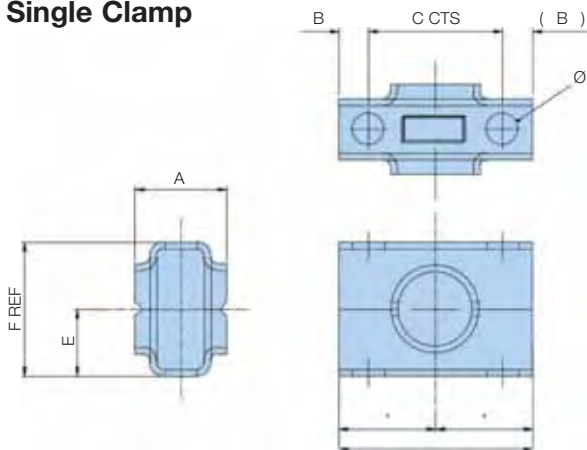
# Multiclamp

## Pipe Clamp System

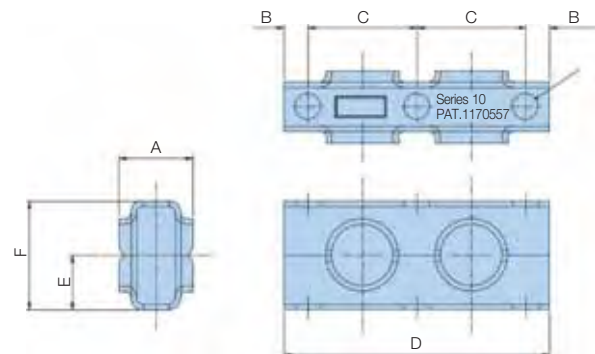
### Specification

Dimension details supplied in product configurator

#### Single Clamp

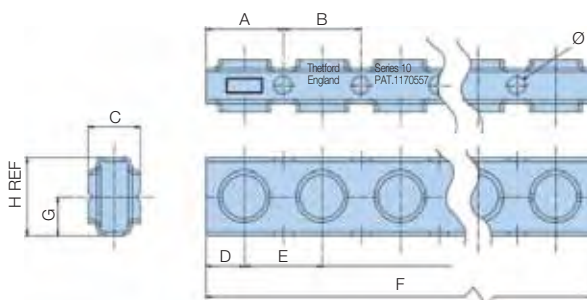


#### Double Clamp



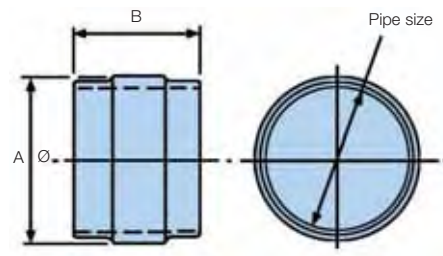
#### Multiclamp – 12 or 16 holes

1 set of clamping units = 1 pair



#### Split Bushes

Split bushes are ordered in sets only  
i.e. 1 set of bushes = 10 bushes of one size



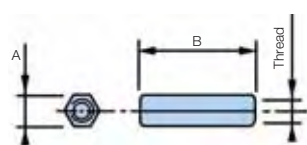
### Material Specifications

Zinc plated steel with anti-corrosive, full passivate. Multiclamp can also be multi-stacked using stacking studs and nuts. Series 10 and 16 clamp is supplied in lengths of 603mm and Series 32 in lengths of 1206mm. These can be simply cut to the required lengths for installation.

Note: For stainless steel version please consult Parker.

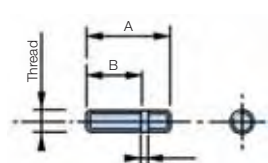
Series 10 will accept pipe or hose diameters from 6mm up to 20mm maximum. Series 16 from 6mm up to 28mm and Series 32 from 10mm up to 50mm. Across the 3 Series, there are 26 different high-quality split rubber bushes to select from to cope with any combination and number of different pipe and hose diameters in the same run.

#### Stacking Nuts



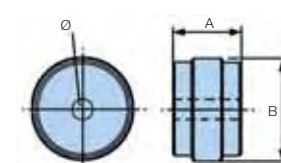
Stacking nuts are ordered in sets only.  
i.e. 1 set of stacking nuts = 50 stacking nuts of one size.

#### Stacking Studs



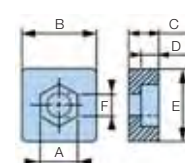
Stacking studs are ordered in sets only.  
i.e. 1 set of stacking studs = 50 stacking studs of one size.

#### Mounting Adaptors



Mounting adaptors are not ordered in sets.  
i.e. 1 off mounting adaptors = 1 single piece.

#### Weld Plate



Weld plates are ordered in sets only.  
i.e. 1 set of weld plates = 10 weld plates.



## Ordering Information - Series 10

### Product configurator

Part number	Supersedes	Description	Pack quantity	Dimensions (mm)								Thread	Pack weight	
				A	B	C	D	E	F	G	H			Ø
<b>MC101</b>	MC.10.1	Single clamp	10 pairs	25.0	8.5	38.1	55.0	19.0	38.0				9.0	0.60 Kg
<b>MC102</b>	MC.10.2	Double clamp	10 pairs	25.0	8.5	38.1	93.0	19.0	38.0				9.0	1.00 Kg
<b>MC1016</b>	MC.10.16	16 bay clamp	1 pair	34.0	38.1	25.0	15.0	38.1	601.5	19.0	38.0	9.0		0.80 Kg
<b>MCN10</b>	MC.N.10	Stacking nut	50	11.0	33.0								M8 x 1,25	0.80 Kg
<b>MCS10</b>	MC.S.10	Stacking stud	50	32.0	21.0	2.6							M8 x 1,25	0.50 Kg
<b>MCWP10</b>	MC.WP.10	Weld plate	10	13.3	25.0	10.0	6.3	25.0	8.5					0.35 Kg
<b>MCSB10</b>	MC.SB.10	Standard bolt	50	27.0									M8 x 1,25	0.55 Kg
MCB10MO	MC.B.10.MO	Mounting adaptor	1		25.0								8.7	0.02 Kg

Part number	Supersedes	Description	Pack quantity	Dimensions (mm)		Pipe size		Pack weight
				A	B	(mm)	OD	
<b>MCG105</b>	MC.G.10.5	Split bush	10	25.5	27.0	8	5/16	0.13 Kg
<b>MCG106</b>	MC.G.10.6	Split bush	10	25.5	27.0	10	3/8	0.12 Kg
<b>MCG108</b>	MC.G.10.8	Split bush	10	25.5	27.0	12-14	1/2	0.12 Kg
<b>MCG1010</b>	MC.G.10.10	Split bush	10	25.5	27.0	15-16	5/8	0.10 Kg
<b>MCG1012</b>	MC.G.10.12	Split bush	10	25.5	27.0	18-20	3/4	0.90 Kg
<b>MCG104</b>	MC.G.10.4	Split bush	10	25.5	27.0	6	1/4	0.13 Kg

Note 1: Part numbers featured with bold highlighted codes will ensure a 'standard' product selection.

Note 2: Alternate displayed part number selection will require you to contact Parker Filtration for availability.

## Ordering Information - Series 16

### Product configurator

Part number	Supersedes	Description	Pack quantity	Dimensions (mm)								Thread	Pack weight	
				A	B	C	D	E	F	G	H			Ø
<b>MC161</b>	MC.16.1	Single clamp	10 pairs	25.0	7.0	50.8	65.0	23.8	47.6				9.0	0.80 Kg
<b>MC162</b>	MC.16.2	Double clamp	10 pairs	25.0	7.0	50.8	116.0	23.8	47.6				9.0	1.60 Kg
<b>MC1612</b>	MC.16.12	12 bay clamp	1 pair	47.0	50.8	25.0	21.0	50.8	608.8	25.0	51.0	9.0		1.00 Kg
<b>MCN16</b>	MC.N.16	Stacking nut	50	11.0	44.0								M8 x 1,25	1.06 Kg
<b>MCS10</b>	MC.S.10	Stacking stud	50	32.0	21.0	2.6							M8 x 1,25	0.50 Kg
<b>MCWP10</b>	MC.WP.10	Weld plate	10	13.3	25.0	10.0	6.3	25.0	8.5					0.35 Kg
<b>MCSB10</b>	MC.SB.10	Standard bolt	50										M8 x 1,25	0.55 Kg
MCB16MO	MC.B.16.MO	Mounting adaptor	1	27.0	36.0								8.7	0.06 Kg

Part number	Supersedes	Description	Pack quantity	Dimensions (mm)		Pipe size		Pack weight
				A	B	(mm)	OD	
<b>MCG165</b>	MC.G.16.5	Split bush	10	35.4	27.0	8	5/16	0.28 Kg
<b>MCG166</b>	MC.G.16.6	Split bush	10	35.4	27.0	10	3/8	0.28 Kg
<b>MCG168</b>	MC.G.16.8	Split bush	10	35.4	27.0	12-14	1/2	0.26 Kg
<b>MCG1610</b>	MC.G.16.10	Split bush	10	35.4	27.0	15-16	5/8	0.22 Kg
<b>MCG1612</b>	MC.G.16.12	Split bush	10	35.4	27.0	18-20	3/4	0.20 Kg
<b>MCG1614</b>	MC.G.16.14	Split bush	10	35.4	27.0	22.0	7/8	0.18 Kg
<b>MCG1616</b>	MC.G.16.16	Split bush	10	35.4	27.0	25.0	1	0.14 Kg
<b>MCG1618</b>	MC.G.16.18	Split bush	10	35.4	27.0	28.0		0.16 Kg
<b>MCG164</b>	MC.G.16.4	Split bush	10	35.4	27.0	6	1/4	0.28 Kg

Note 1: Part numbers featured with bold highlighted codes will ensure a 'standard' product selection.

Note 2: Alternate displayed part number selection will require you to contact Parker Filtration for availability.

# Multiclamp

## Pipe Clamp System

### Ordering Information - Series 32

#### Product configurator

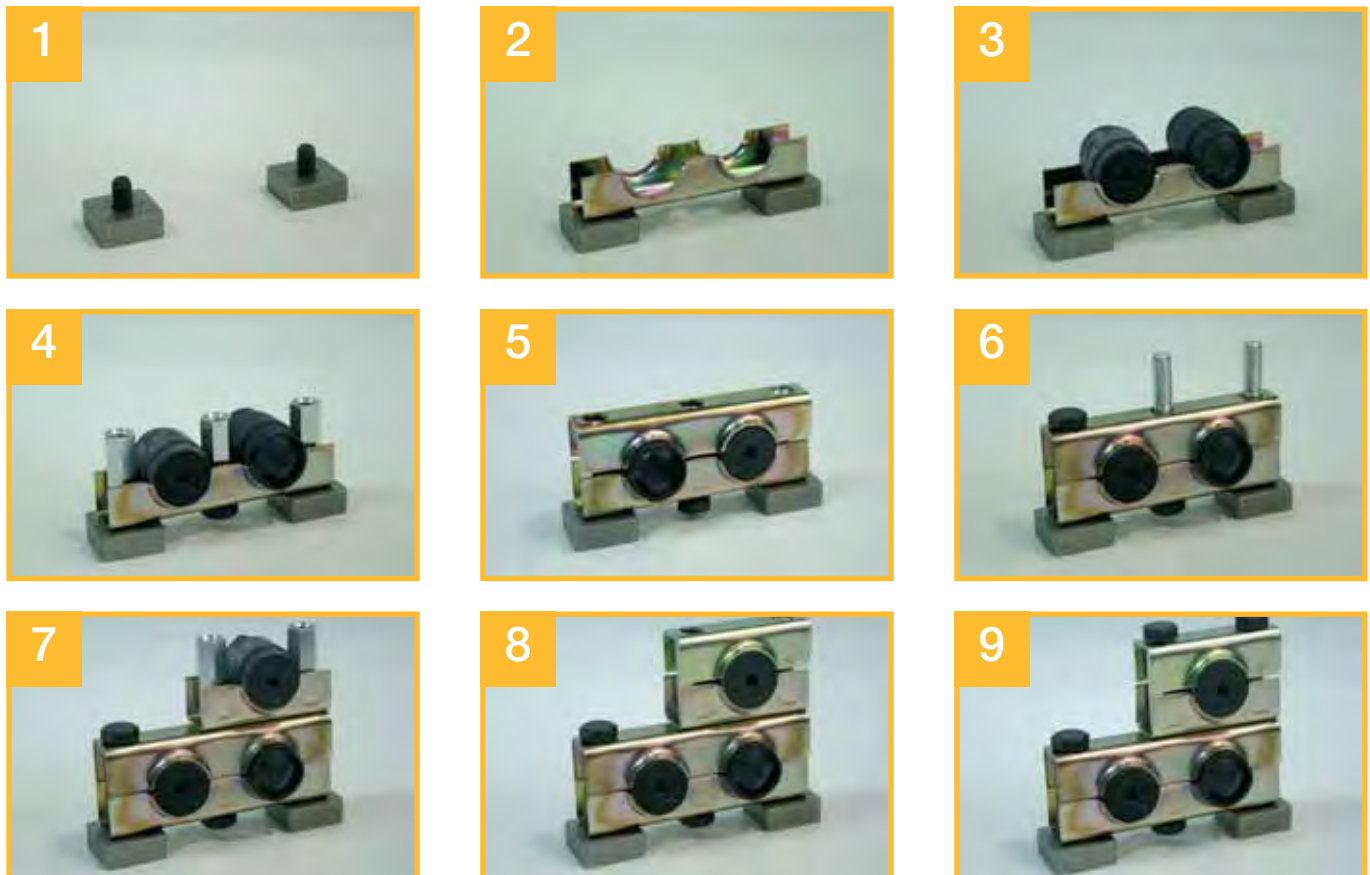
Part number	Supersedes	Description	Pack quantity	Dimensions (mm)								Thread	Pack weight	
				A	B	C	D	E	F	G	H			Ø
<b>MC321</b>	MC.32.1	Single clamp	10 pairs	40.0	9.4	76.2	95.0	38.0	76.2				11.1	2.25 Kg
<b>MC322</b>	MC.32.2	Double clamp	10 pairs	41.0	9.4	76.2	171.0	38.0	76.2				11.1	3.82 Kg
<b>MC3216</b>	MC.32.16	16 bay clamp	1 pair	72.0	76.2	40.0	34.0	76.2	1211.0	38.5	77.0	11.0		3.80 Kg
<b>MCN32</b>	MC.N.32	Stacking nut	50	13.0	71.5								M10 x 1.5	1.99 Kg
<b>MCS32</b>	MC.S.32	Stacking stud	50	38.0	22.0	4.0							M10 x 1.5	0.90 Kg
<b>MCWP32</b>	MC.WP.32	Weld plate	10	17.5	32.0	12.0	8.0	32.0	11.0					0.70 Kg
<b>MCSB32</b>	MC.SB.32	Standard bolt	50										M10 x 1.5	1.30 Kg
MCB32MO	MC.B.32.MO	Mounting adaptor	1	40.0	58.0							10.7		0.26 Kg

Part number	Supersedes	Description	Pack quantity	Dimensions (mm)		Pipe size		Pack weight
				A	B	(mm)	OD	
<b>MCG3210</b>	MC.G.32.10	Split bush	10	59.0	44.5	15-16	5/8	1.10 Kg
<b>MCG3212</b>	MC.G.32.12	Split bush	10	59.0	44.5	18-20	3/4	1.10 Kg
<b>MCG3216</b>	MC.G.32.16	Split bush	10	59.0	44.5	25	1	1.00 Kg
<b>MCG3218</b>	MC.G.32.18	Split bush	10	59.0	44.5	28-30		1.00 Kg
<b>MCG3220</b>	MC.G.32.20	Split bush	10	59.0	44.5	32-34	1 1/4	0.80 Kg
<b>MCG3224</b>	MC.G.32.24	Split bush	10	59.0	44.5	35-38	1 1/4	0.80 Kg
<b>MCG3232</b>	MC.G.32.32	Split bush	10	59.0	44.5	50	2	0.40 Kg
<b>MCG326</b>	MC.G.32.6	Split bush	10	59.0	44.5	10	3/8	1.30 Kg
<b>MCG328</b>	MC.G.32.8	Split bush	10	59.0	44.5	12-14	1/2	1.20 Kg
<b>MCG3214</b>	MC.G.32.14	Split bush	10	59.0	44.5	22	7/8	1.00 Kg
<b>MCG3226</b>	MC.G.32.26	Split bush	10	59.0	44.5	42		0.60 Kg

Note 1: Part numbers featured with bold highlighted codes will ensure a 'standard' product selection.

Note 2: Alternate displayed part number selection will require you to contact Parker Filtration for availability.

### How to 'build' Multiclamp



# Inline Check Valves

## Reservoir Equipment

### Specification



**Construction:**  
Steel UNI 5105.

**Ball and spring:**  
Chrome finished steel.

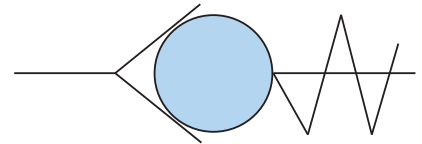
**Retainer:**  
Nylon.

**Flow rates:**  
From 20 l/min to 150 l/min.

**Max. working pressure:**  
350 bar.

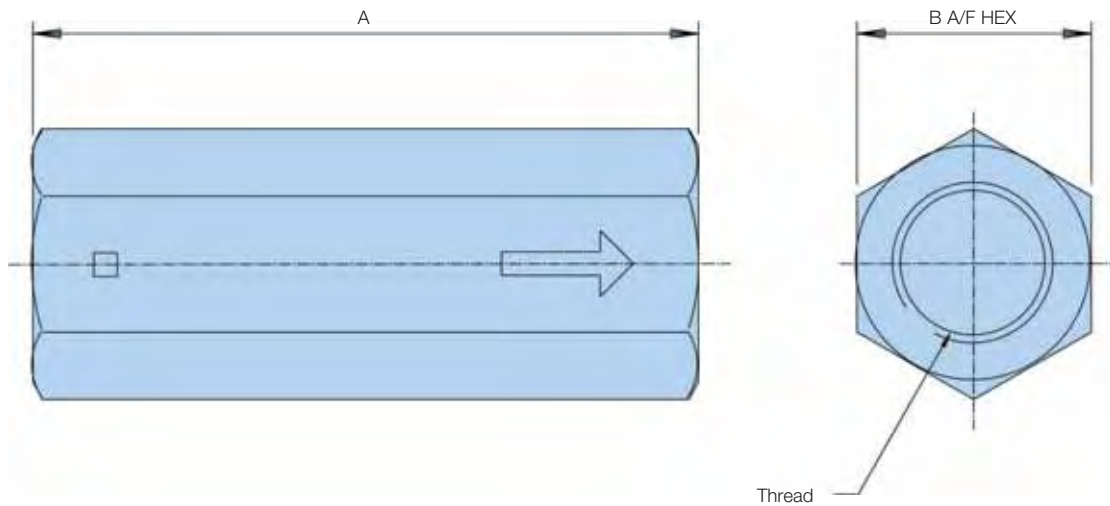
**Valve crack pressures:**  
0.35 and 4.5 bar.

**Max. operating temp:**  
120°C.



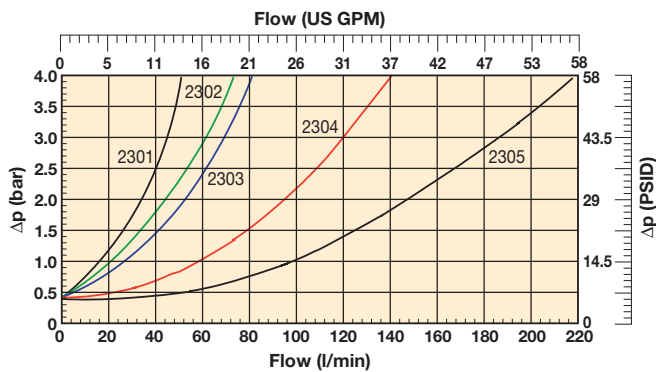
Circuit symbol

### Installation Details



### Technical Data

#### Pressure Drop Flow Curves



### Ordering Information

#### Standard products table

Part number	Flow l/min	Cracking pressure bar	Thread G	A mm	B mm	Weight Kg
2301	20	0.35	1/4	54	19	0.09
2302	30	0.35	3/8	66	24	0.17
2303	50	0.35	1/2	77	30	0.32
2304	100	0.35	3/4	88	36	0.48
2305	150	0.35	1	108	46	0.99
2311	20	4.50	1/4	54	19	0.09
2312	30	4.50	3/8	65	24	0.17
2313	50	4.50	1/2	77	30	0.32
2314	100	4.50	3/4	88	36	0.48
2315	150	4.50	1	108	46	0.99

# Single Station Gauge Isolator Valves

## Reservoir Equipment

### Specification



**Construction:**

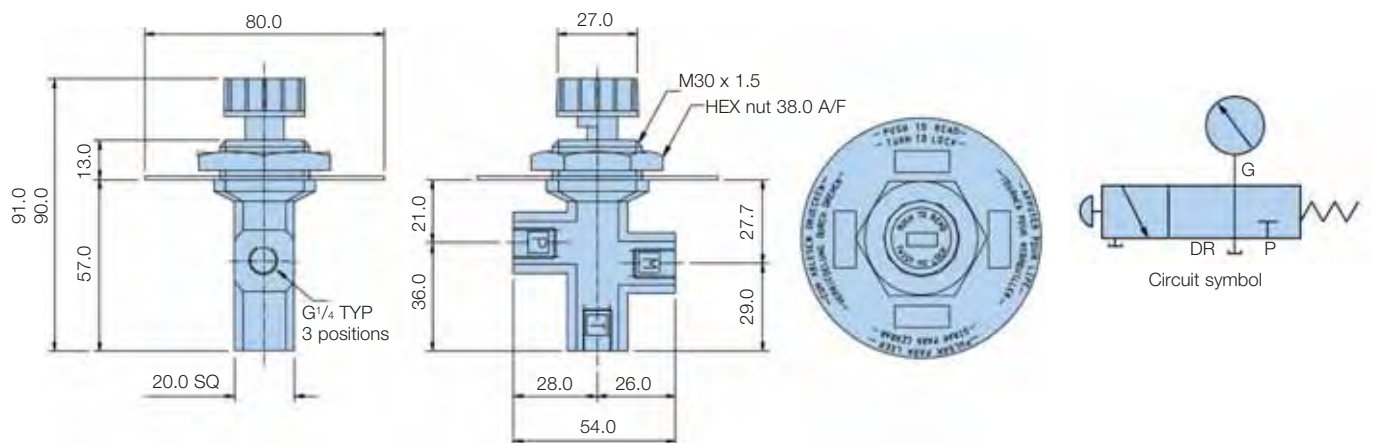
*Single Station:* Cast iron and steel. Knurled plastic knob with 'Twist to lock' or 'push to read' type.

**Max. working pressure:**  
350 bar.

**Port size:**  
*Single Station:* G<sup>1</sup>/<sub>4</sub>.

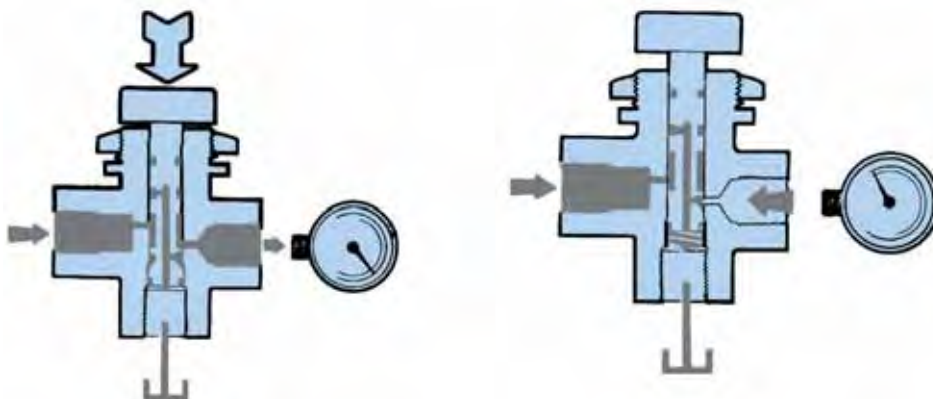
**Weight:**  
*Single Station:* 0.90 Kg.

### Single Station Installation Details



### Operation Details

#### Single Station



### Ordering Information

#### Standard products table

Part number	Description	Weight
G11486	Single station gauge isolator "twist to lock" type	0.90 Kg
G11414	Single station gauge isolator "push to read" type	0.90 Kg

# 63mm Dia. Pressure Gauges

## Reservoir Equipment

### Specification



#### Construction:

Case: Natural finish stainless steel.  
 Window: Non-splintering clear acrylic glass.  
 Movement: Cu alloy.  
 Dial: White plastic, with pointer stop pin.  
 Pointer: Black plastic.

#### Liquid filling:

Glycerine 99.7%.

#### Working pressure:

Max 75% of the full scale value.

#### Process temperature range:

0°C to 60°C maximum.

#### Accuracy:

1.6% FSD.

#### Wetted parts connector:

Copper alloy.

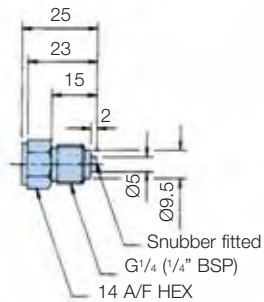
#### Bourdon tube:

< 60 bar = Cu alloy, C-type, soft soldered.  
 > 60 bar = Cu alloy, helical type, soft soldered.

#### IP Class:

IP65.

### Mounting Stem Detail



Note: It is recommended that all glycerine gauges should be mounted in the vertical position with gauge case relief valve uppermost. Pressure range up to 1000 bar available.

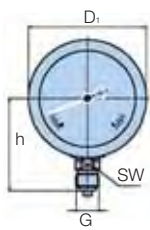
### Ordering Information

#### Bottom Connection

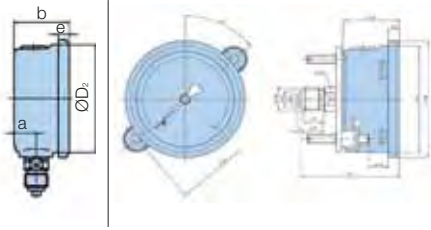
Part number	Supersedes	Pressure range	Connector type
<b>PGB0631010</b>	PGC.0631.010	0-10 bar	G $\frac{1}{4}$ Bottom
<b>PGB0631016</b>	PGC.0631.016	0-16 bar	G $\frac{1}{4}$ Bottom
<b>PGB0631025</b>	PGC.0631.025	0-25 bar	G $\frac{1}{4}$ Bottom
<b>PGB0631040</b>	PGC.0631.040	0-40 bar	G $\frac{1}{4}$ Bottom
<b>PGB0631060</b>	PGC.0631.060	0-60 bar	G $\frac{1}{4}$ Bottom
<b>PGB0631100</b>	PGC.0631.100	0-100 bar	G $\frac{1}{4}$ Bottom
<b>PGB0631160</b>	PGC.0631.160	0-160 bar	G $\frac{1}{4}$ Bottom
<b>PGB0631250</b>	PGC.0631.250	0-250 bar	G $\frac{1}{4}$ Bottom
<b>PGB0631400</b>	PGC.0631.400	0-400 bar	G $\frac{1}{4}$ Bottom
<b>PGB0631600</b>	PGC.0631.600	0-600 bar	G $\frac{1}{4}$ Bottom
<b>PGB0631004</b>	PGC.0631.004	0-4 bar	G $\frac{1}{4}$ Bottom

### Installation Details

#### Bottom Connection



#### Panel Mounting (Centre Back)



#### Dimensions (mm)

a	b	D <sub>1</sub>	D <sub>2</sub>	e	G	h	SW	Weight Kg
13	32 ±0.5	68	62	6.5	G $\frac{1}{4}$	54 ±1	14	0.21

#### Bottom Connection

#### Dimensions (mm)

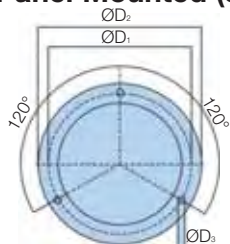
b	b <sub>2</sub>	D <sub>1</sub>	D <sub>2</sub>	e	G	SW	Weight Kg
32 ±0.5	56 ±1	68	62	6.5	G $\frac{1}{4}$	14	0.21

#### Panel Mounting (Lower Back)

Note 1: Panel cut-out 64.5 ±0.5

Note 2: 13mm on the outside radius required to allow for fixing clamp.

#### Panel Mounted (3-hole flange)



Note 1: Gauge dimensions as for panel mounting option above with flange as shown below.  
 Note 2: Panel cut-out for 3-hole mounting 67±0.3.

#### Dimensions (mm)

D1	D2	D3
75	85	3.6

### Panel Mounting

Part number	Supersedes	Pressure range	Connector type
<b>PGC0631010</b>	PGC.0631.010	0-10 bar	G $\frac{1}{4}$ Panel
<b>PGC0631016</b>	PGC.0631.016	0-16 bar	G $\frac{1}{4}$ Panel
<b>PGC0631025</b>	PGC.0631.025	0-25 bar	G $\frac{1}{4}$ Panel
<b>PGC0631040</b>	PGC.0631.040	0-40 bar	G $\frac{1}{4}$ Panel
<b>PGC0631060</b>	PGC.0631.060	0-60 bar	G $\frac{1}{4}$ Panel
<b>PGC0631100</b>	PGC.0631.100	0-100 bar	G $\frac{1}{4}$ Panel
<b>PGC0631160</b>	PGC.0631.160	0-160 bar	G $\frac{1}{4}$ Panel
<b>PGC0631250</b>	PGC.0631.250	0-250 bar	G $\frac{1}{4}$ Panel
<b>PGC0631400</b>	PGC.0631.400	0-400 bar	G $\frac{1}{4}$ Panel
<b>PGC0631004</b>	PGC.0631.004	0-4 bar	G $\frac{1}{4}$ Panel
<b>PGC0631600</b>	PGC.0631.600	0-600 bar	G $\frac{1}{4}$ Panel

### Panel Mounted (3-hole flange)

Part number	Supersedes	Pressure range	Connector type
<b>PGF0631060</b>	PGF.0631.060	0-60 bar	G $\frac{1}{4}$ Panel Flange
<b>PGF0631100</b>	PGF.0631.100	0-100 bar	G $\frac{1}{4}$ Panel Flange
<b>PGF0631160</b>	PGF.0631.160	0-160 bar	G $\frac{1}{4}$ Panel Flange
<b>PGF0631250</b>	PGF.0631.250	0-250 bar	G $\frac{1}{4}$ Panel Flange
<b>PGF0631400</b>	PGF.0631.400	0-400 bar	G $\frac{1}{4}$ Panel Flange
<b>PGF0631004</b>	PGF.0631.004	0-4 bar	G $\frac{1}{4}$ Panel Flange
<b>PGF0631010</b>	PGF.0631.010	0-10 bar	G $\frac{1}{4}$ Panel Flange
<b>PGF0631016</b>	PGF.0631.016	0-16 bar	G $\frac{1}{4}$ Panel Flange
<b>PGF0631025</b>	PGF.0631.025	0-25 bar	G $\frac{1}{4}$ Panel Flange
<b>PGF0631040</b>	PGF.0631.040	0-40 bar	G $\frac{1}{4}$ Panel Flange
<b>PGF0631600</b>	PGF.0631.600	0-600 bar	G $\frac{1}{4}$ Panel Flange

Note 1: Part numbers featured with bold highlighted codes will ensure a 'standard' product selection.

Note 2: Alternate displayed part number selection will require you to contact Parker Filtration for availability.

\*Note 3: Any subsequent changes to gauge accuracy will be notified.

# 100mm Dia. Pressure Gauges

## Reservoir Equipment

### Specification



#### Construction:

Case: BS 304 S15 stainless steel.  
 Window: Acrylic.  
 Movement: Brass.  
 Dial: White aluminium.  
 Pointer: Black aluminium.

**Liquid filling:**  
 Glycerine 98%.

**Working pressure:**  
 Full scale value.

**Process temperature range:**  
 -20°C to +60°C maximum.

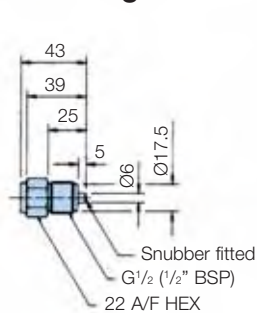
**Accuracy:**  
 1.0% FSD.

**Wetted parts connector:**  
 Copper alloy.

**Bourdon tube:**  
 < 100 bar = Cu alloy, c-type, soft soldered.  
 > 100 bar = stainless steel 1.4571, helical type, brazed.

**IP Class:**  
 IP65.

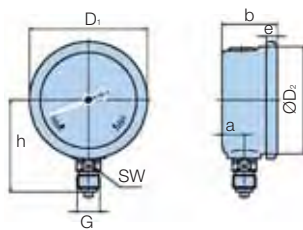
### Mounting Stem Detail



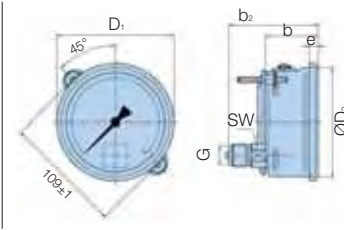
Note: It is recommended that all glycerine gauges should be mounted in the vertical position with gauge case relief valve uppermost.

### Installation Details

#### Bottom Connection



#### Panel Mounting (Lower Back)



#### Dimensions (mm)

Bottom Connection								
a	b ±0.5	D <sub>1</sub>	D <sub>2</sub>	e	G	h ±1	SW	Weight Kg
15.5	48	107	100	8	G <sub>1/2</sub>	87	22	0.80

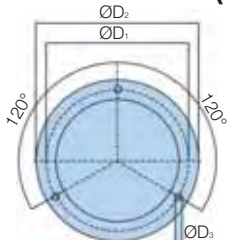
#### Dimensions (mm)

Panel Mounting (Lower Back)							
b ±0.5	b <sub>2</sub> ±1	D <sub>1</sub>	D <sub>2</sub>	e	G	SW	Weight Kg
48	81.5	107	100	8	G <sub>1/2</sub>	22	0.80

Note 1: Panel cut-out 102 ±1.0

Note 2: 13mm on the outside radius required to allow for fixing clamp.

#### Panel Mounted (3-hole flange)



Note 1: Gauge dimensions as for panel mounting option above with flange as shown below.

Note 2: Panel cut-out for 3-hole mounting 104 ±0.5.

#### Dimensions (mm)

D <sub>1</sub>	D <sub>2</sub>	D <sub>3</sub>
116	132	4.8

### Ordering Information

#### Bottom Connection

Part number	Supersedes	Pressure range	Connector type
<b>PGB1001250</b>	PGB.1001.250	0-250 bar	G <sub>1/2</sub> Bottom
<b>PGB1001400</b>	PGB.1001.400	0-400 bar	G <sub>1/2</sub> Bottom
<b>PGB1001010</b>	PGB.1001.010	0-10 bar	G <sub>1/2</sub> Bottom
<b>PGB1001016</b>	PGB.1001.016	0-16 bar	G <sub>1/2</sub> Bottom
<b>PGB1001025</b>	PGB.1001.025	0-25 bar	G <sub>1/2</sub> Bottom
<b>PGB1001040</b>	PGB.1001.040	0-40 bar	G <sub>1/2</sub> Bottom
<b>PGB1001060</b>	PGB.1001.060	0-60 bar	G <sub>1/2</sub> Bottom
<b>PGB1001100</b>	PGB.1001.100	0-100 bar	G <sub>1/2</sub> Bottom
<b>PGB1001160</b>	PGB.1001.160	0-160 bar	G <sub>1/2</sub> Bottom
<b>PGB1001600</b>	PGB.1001.600	0-600 bar	G <sub>1/2</sub> Bottom
<b>PGB10011000</b>	PGB.1001.1000	0-1000 bar	G <sub>1/2</sub> Bottom

#### Panel Mounting

Part number	Supersedes	Pressure range	Connector type
<b>PGE1001010</b>	PGE.1001.010	0-10 bar	G <sub>1/2</sub> Panel
<b>PGE1001016</b>	PGE.1001.016	0-16 bar	G <sub>1/2</sub> Panel
<b>PGE1001025</b>	PGE.1001.025	0-25 bar	G <sub>1/2</sub> Panel
<b>PGE1001040</b>	PGE.1001.040	0-40 bar	G <sub>1/2</sub> Panel
<b>PGE1001060</b>	PGE.1001.060	0-60 bar	G <sub>1/2</sub> Panel
<b>PGE1001100</b>	PGE.1001.100	0-100 bar	G <sub>1/2</sub> Panel
<b>PGE1001160</b>	PGE.1001.160	0-160 bar	G <sub>1/2</sub> Panel
<b>PGE1001250</b>	PGE.1001.250	0-250 bar	G <sub>1/2</sub> Panel
<b>PGE1001400</b>	PGE.1001.400	0-400 bar	G <sub>1/2</sub> Panel
<b>PGE1001600</b>	PGE.1001.600	0-600 bar	G <sub>1/2</sub> Panel
<b>PGE10011000</b>	PGE.1001.1000	0-1000 bar	G <sub>1/2</sub> Panel

#### Panel Mounted (3-hole flange)

Part number	Supersedes	Pressure range	Connector type
<b>PG.1001250</b>	PGF.1001.250	0-250 bar	G <sub>1/2</sub> Panel Flange
<b>PGF1001400</b>	PGF.1001.400	0-400 bar	G <sub>1/2</sub> Panel Flange
PGF1001010	PGF.1001.010	0-10 bar	G <sub>1/2</sub> Panel Flange
PGF1001016	PGF.1001.016	0-16 bar	G <sub>1/2</sub> Panel Flange
PGF1001025	PGF.1001.025	0-25 bar	G <sub>1/2</sub> Panel Flange
PGF1001040	PGF.1001.040	0-40 bar	G <sub>1/2</sub> Panel Flange
PGF1001060	PGF.1001.060	0-60 bar	G <sub>1/2</sub> Panel Flange
PGF1001100	PGF.1001.100	0-100 bar	G <sub>1/2</sub> Panel Flange
PGF1001160	PGF.1001.160	0-160 bar	G <sub>1/2</sub> Panel Flange
PGF1001600	PGF.1001.600	0-600 bar	G <sub>1/2</sub> Panel Flange
PGF10011000	PGF.1001.1000	0-1000 bar	G <sub>1/2</sub> Panel Flange

Note 1: Part numbers featured with bold highlighted codes will ensure a 'standard' product selection.

Note 2: Alternate displayed part number selection will require you to contact Parker Filtration for availability.

\*Note 3: Any subsequent changes to gauge accuracy will be notified.



# icountLaserCM20

## Fluid Condition Monitoring

### Portable Particle Counter



## A 2-minute contamination test procedure:

**A portable particle counter designed to be used in the field**

icountLCM20 is a proven answer to fluid system contamination monitoring offering a 2-minute test procedure. Multi-standard ISO and NAS cleanliness reporting, data entry, data graphing and integral printing are all standard on this world proven contamination monitor.



## Contact Information:

Parker Hannifin  
**Hydraulic Filter Division Europe**

**European Product Information Centre**  
**Freephone: 00800 27 27 5374**  
**(from AT, BE, CH, CZ, DE, EE, ES, FI, FR, IE, IT, PT, SE, SK, UK)**  
**filtrationinfo@parker.com**

[www.parkerhfde.com](http://www.parkerhfde.com)

## Product Features:

- icountLCM20 is a proven answer to fluid system contamination monitoring.
- 2-minute test procedure.
- Multi-standard ISO, NAS and AS4059 cleanliness reporting.
- Data entry, data graphing and integral printer.
- 420 bar rated maximum pressure.
- Supported by the offline UBS and online SPS accessories.

# icountLaserCM20

## Portable Particle Counter

### Features & Benefits

<b>Test time:</b>	2 minutes
<b>Particle counts:</b>	MTD 4+, 6+, 14+, 21+, 38+ and 70+ microns(c) ACFTD 2+, 5+, 15+, 25+, 50+ and 100+ microns
<b>International codes:</b>	ISO 7-22, NAS 0-12
<b>Data retrieval:</b>	Memory access gives test search facility
<b>Max. working pressure:</b>	420 bar
<b>Max. flow rate:</b>	400 l/min when used with system 20 Sensors. Higher with single point sampler (see page 357)
<b>Working conditions:</b>	LaserCM will operate with the system working normally
<b>Computer compatibility:</b>	Interface via RS232 connection @ 9600 baud rate.

- Special 'diagnostics' are incorporated into the icountLaserCM microprocessor control to ensure effective testing.
- Routine contamination monitoring of oil systems with icountLaserCM saves time and saves money.
- Contamination monitoring is now possible during application operation - icountLaserCM saves on production downtime.

- Data entry allows individual equipment test log details to be recorded.
- Data retrieval of test results from memory via hand set display.
- Automatic test cycle logging of up to 300 tests can be selected via hand set display.
- Totally portable, can be used as easily in the field as in the laboratory.
- Automatic calibration reminder.
- Instant, accurate results achieved with a 2 minute test cycle.
- Data entry allows individual equipment footprint record.
- Data graphing selectable via the integral printer.
- Auto 300-test cycle logging via LCD handset input.
- RS232 to USB computer interface.
- Limit level output to control peripheral equipment such as off-line filtration via internal relay limit switches.
- Auto-testing allows for the conducting of automatic sequencing tests on flushing systems for example.
- Optional bar code swipe wand to allow handset data loading.
- Worldwide service and technical support.
- Re-calibration - Annual certification by an approved Parker Service Centre.

### Typical Applications

- Construction machinery
- Industrial plant
- Hydraulic equipment & system manufacturers
- Research & testing institutes
- Offshore & power generation
- Marine
- Military equipment applications

### Parker LaserCM Portable Particle Counter.

With 20 years experience in manufacturing the world's best selling 'white light' portable particle counter – CM20, the progression to the icountLaserCM with its opto-mechanical, continuous wave single point source laser (SPSL) is both a natural and customer driven development.



## Specification

Automatic Particle Counters (APC's), have been widely used for many years in condition monitoring of hydraulic fluids. However, it is only recently that APC's have become flexible enough to enable the instruments to be taken out of the laboratory and used on-line in order to obtain the most credible form of results.

Unusually, the move from fixed laboratory use, to portable field use has not been at the expense of accuracy or user flexibility, but has actually enabled the instruments to be used over a wider range of applications and situations.

The most common monitoring technique used in APC's is that of light obscuration or light blockage. Here, a focused light source is projected through a moving column of oil, (in which the contaminants being measured are contained), causing an image of the contaminant to be projected on to a photo diode cell, (changing light intensity to an electrical output).

The electrical output of the photo diode cell will vary in accordance with the size of the particles contained in the column of oil; the larger the particle, the bigger the change in the photo diode electrical output.

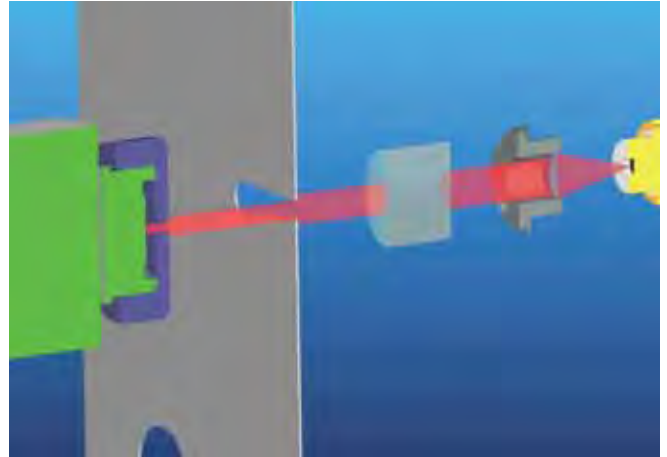
On-line APC's must be able to test the oil sample at whatever cleanliness it is delivered to the machine. Parker therefore had to develop technology to ensure the on-line APC was able to test a sample without the conventional laboratory technique which requires dilution - a practice that would have been simply impossible with a portable unit.

By careful design and window sizing, gravimetric levels as high as 310mg of dirt per litre, (equivalent to up to 4 million particles >6 micron per 100 ml), can be achieved without making the instrument susceptible to counter saturation.

These high saturation point on-line APC's, whilst losing none of the accuracy of their laboratory counterparts, enable particle counting to be carried out quickly and accurately.



A focused light source is projected through a moving column of oil.



Laser Optical Sensing

### Core technology that proves itself in icountLaserCM

The icountLaserCM portable particle counter features microprocessor controlled optical scanning for accurate contaminant measurement with a calibration range from ISO 7 to ISO 22 with no counter saturation.

### How does icountLaserCM work?

- The particles are measured by a photo diode that converts light intensity to a voltage output which is recorded against time.
- As the particle moves across the window the amount of light lost is proportional to the size of the particle. This reduction in voltage is measured and recorded.
- This "voltage" lost relates directly to the area of the particle measured, is changed into a "positive" voltage and then in turn changed into a capacitance value.
- This value is counted and stored in the icountLaserCM computer in one of 6 channels according to particle size.
- Readouts are displayed on the hand-held LCD in the accepted ISO and NAS standards ready for hard copy printing or RS232 computer download.
- The on-board computer allows storage of up to 300 test results.

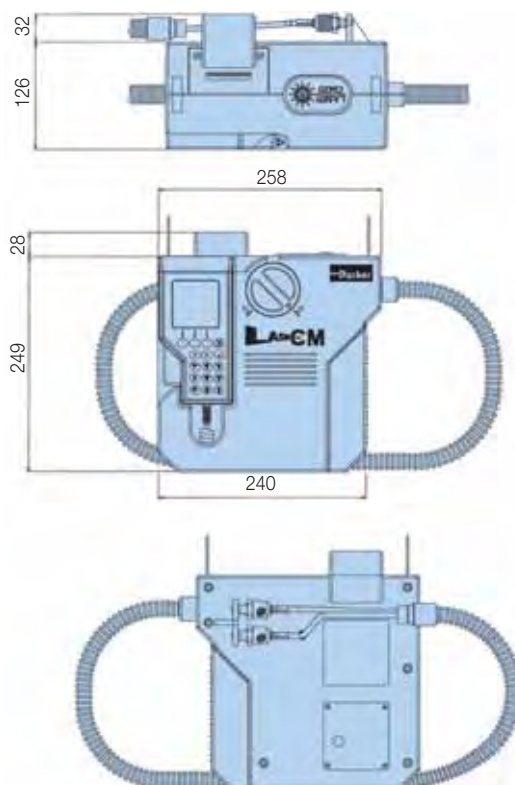
# icountLaserCM20

## Portable Particle Counter

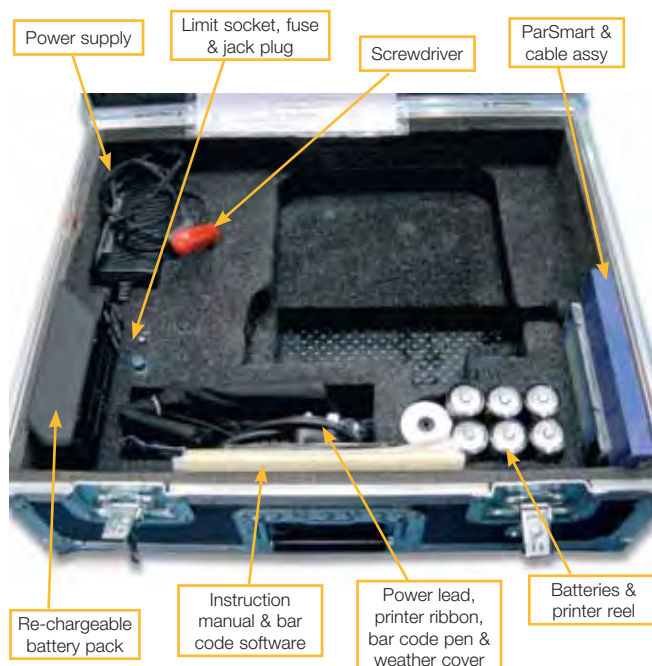
### Specification

Description	LaserCM	LaserCM
	(LCM20 20 22)	(LCM20 20 62)
ABS structural foam and injection moulded case	•	•
ABS handheld display	•	•
Mechanical composition – Brass, plated steel, stainless steel and aluminium	•	•
Fluorocarbon seals	•	•
Perfluoroelastomer seals	•	•
Nylon hoses (kevlar braided microbore)	•	•
Stainless steel armoured hose ends	•	•
1.2m fluid connection hose	•	•
Rechargeable battery pack	•	•
12Vdc power supply	•	•
Fast blow fuse	•	•
Unique optical scanning system	•	•
Bonded glass optical window enclosed in SS plate	•	•
Micron channels analysis (Six)	•	•
Analysis range ISO 7 to 22 incl. (NAS 0 to 12)	•	•
32 character dot matrix LCD. Alpha numeric keypad	•	•
Data retrieval	•	•
Calibration to ISO standards*	•	•
Viscosity range 2 to 100 cSt. 500 cSt.with SPS	•	•
Operating temp.+5 to +80°C	•	•
Ambient temp.+5 to +40°C	•	•
2 minute test completion time	•	•
Memory store – 300 test memory	•	•
Battery operated 6 x 1.5 D cells	•	•
Phosphate Ester group compatibility	•	•
Mineral oil & petroleum based fluid compatibility	•	•
Up to 420 bar (6000 psi)	•	•
Integral 16 column printer	•	•
RS232 to USB computer interface	•	•
Astra board case weight – (Kg)	5	5
Unit weight – (Kg)	8	8
ParSmart software and cable link pack	•	•
Weather protector cover	•	•
CE certified	•	•
Auto logging	•	•

\*Note: In compliance with international standards, all Parker portable particle counters can meet the ISO Medium test dust standards. The icountLaserCM's, in addition to the complete range of Condition Monitoring products, are capable of achieving certification to ISO 4406:1999 and with traceability to ISO 11171 for SRM 2806, via ISO 11943.



### Commissioning Kit



## Operation



Operating the Parker icountLaserCM is as simple as pressing the start button and turning the dial. The test procedure is automatic and in the case of the icountLaserCM takes no more than 2 minutes to complete.

### icountLCM20 makes the difference in industry

Fully accredited to BS EN 60825:1992 and IEC 60825-1 (safety of laser products) Standards, accredited to USA Standards and achieving full ISO certification. icountLaserCM offers users advanced laser technology, a fast, dynamic and on-line 2 minute system test cycle. An icountLaserCM Aggressive Fluids model is also available, suitable for monitoring corrosive fluids such as phosphate ester based lubricants used in commercial aviation.

### MTD calibration

icountLaserCM MTD Calibration variants are certified via a primary ISO 11171 calibrated automatic particle counter. All MTD Laser CM20's achieve ISO 4406:1999 criteria, via ISO 11943.

### icountLCM20 Using SPS



### Understanding MTD

ACFTD (Air Cleaner Fine Test Dust) was formatted in the 1960's, but is no longer being produced. The obsolescence of this dust has led to the adoption of a new dust MTD.

MTD (Medium Test Dust) having a particle size distribution close to ACFTD was selected as a replacement. However, MTD produced results somewhat different to ACFTD, so the NIST (National Institute of Standards & Technology) undertook a project to certify the particle size distribution of ISO MTD.

The result was particle sizes below 10µm were greater than previously measured.

Particles sizes reported based on NIST would be represented as µm (c), with "c" referring to "certified". Therefore the icountLCM20 reported sizes are as follows:

ACFTD	MTD
2µ	4µ (c)
5µ	6µ (c)
15µ	14µ (c)
25µ	21µ (c)
50µ	38µ (c)
100µ	70µ (c)

MTD offers true traceability, improved particle size accuracy and better batch to batch reproduction.

# icountLaserCM20

## Portable Particle Counter

### Why On-Site Fluid Contamination Monitoring?

- Certification of fluid cleanliness levels.
- Early warning instrument to help prevent catastrophic failure in critical systems.
- Immediate results with laboratory accuracy.
- To comply with customer cleanliness requirements and specifications.
- New equipment warranty compliance.
- New oil cleanliness testing.



### Data Download Management

Dedicated software, provides the link between an icountLaserCM20 and the H<sub>2</sub>Oil - Water in Oil monitor and your computer management system.



16-column printer for hard copy data. A feature of the icountLaserCM is the on-board printout data graphing option developed to support predictive maintenance procedures.

icountLaserCM Test		icountLaserCM Test	
ON LINE TEST		ON LINE TEST	
TEST NUMBER 022		TEST NUMBER 022	
Date		D M Y	
Time		04-03-10	
ISO:		15-52	
		NAS CLASS: 7	
Count / 100ml		Count / 100ml	
>4µ (c)	820721	4/6µ (c)	789157
>6µ (c)	31564	6/14µ (c)	31250
>14µ (c)	314	NAS CLASS	7
>21µ (c)	64	14/21µ (c)	250
>38µ (c)	14	NAS CLASS	3
>70µ (c)	0	21/38µ (c)	50
NOTES		NAS CLASS	3
		38/70µ (c)	14
		NAS CLASS	4
		>70µ (c)	0
		NAS CLASS	0
		NOTES	

ISO 4406 - 1999

Correlation to NAS 1638



## Introducing the new icountLCM ‘Classic’

There is a new addition to the proven range – the icountLCM ‘Classic’. Only available from Parker, the ‘Classic’ retains all the technology that made the icountLaserCM one of the most accurate, reliable and popular portable particle counters available.

Our design engineers have re-configured the icountLaserCM specification in a way that has reduced our manufacturing costs. These savings have been passed onto icountLCM ‘Classic’ customers.

### How have we done this?

Parker listened to our existing customers and then to the engineers and maintenance operatives to find out the features that make the icountLaserCM a unique predictive maintenance instrument.

Then, we removed peripheral items such as the aluminium case and all the accessories, so a customer receives the icountLCM, with a CD user guide, professionally and securely boxed. One thing that has not altered is the icountLCM accuracy and icountLCM reliability. Our in-house software engineers have re-configured the EPROM, removing Data programming, User ID, Automatic Testing, Data retrieval, Alarm level settings, the barcode pen and Graph printing functions to reduce costs still further without in any way reducing the efficiency of the icountLCM. The icountLCM ‘Classic’ remains an instrument to be proud of.



## Ordering Information (icontainsLaserCM and ‘Classic’ icountLaserCM)

### Standard products table

Part number	Supersedes	Description
<b>LCM202022</b>	LCM20.2022	icontainsLCM20 (MTD calibrated)
<b>LCM202026</b>	LCM20.2026	icontainsLCM20 ‘classic’ (MTD calibrated)
<b>ACC6NE015</b>	B84702	Printer roll x 5
<b>ACC6NE014</b>	P.843702	Printer ribbon
ACC6NE013	B84609	Re-chargeable battery pack
ACC6ND002	P849603	Weather protector cover
ACC6ND000	B84703	USB to RS232 Download Cable

Note 1: Part numbers featured with bold highlighted codes will ensure a ‘standard’ product selection.

Note 2: Alternate displayed part number selection will require you to contact Parker Filtration for availability.

### Product configurator

Model	Fluid type		Options	
<b>LCM2020</b>	<b>2</b>	Hydraulic mineral	<b>1</b>	icontainsLCM20 (ACFTD calibrated)
		Skydrol	<b>2</b>	icontainsLCM20 (MTD calibrated)
	3		icontainsLCM20 (ACFTD calibrated) + bar code pen	
	4		icontainsLCM20 (MTD calibrated) + bar code pen	
	<b>5</b>		icontainsLCM20 ‘classic’ (ACFTD calibrated)	
	<b>6</b>	icontainsLCM20 ‘classic’ (MTD calibrated)		

Note 1: Part numbers featured with bold highlighted codes will ensure a ‘standard’ product selection.

Note 2: Alternate displayed part number selection will require you to contact Parker Filtration for availability.

# Universal Bottle Sampler

Simple and efficient offline oil sampling



## Clean and contamination free sampling

### Ideal for batch oil sampling and laboratory testing

The UBS provides the dynamic link to portable particle and water counters. The UBS off-line sampler has microprocessor technology to recognise and adjust to the connecting monitor including the icountLCM20 and H<sub>2</sub>Oil water in oil monitor.



## Contact Information:

Parker Hannifin  
Hydraulic Filter Division Europe

European Product  
Information Centre  
Freephone: 00800 27 27 5374  
(from AT, BE, CH, CZ, DE, EE, ES,  
FI, FR, IE, IT, PT, SE, SK, UK)  
filtrationinfo@parker.com

www.parkerhfde.com

## Product Features:

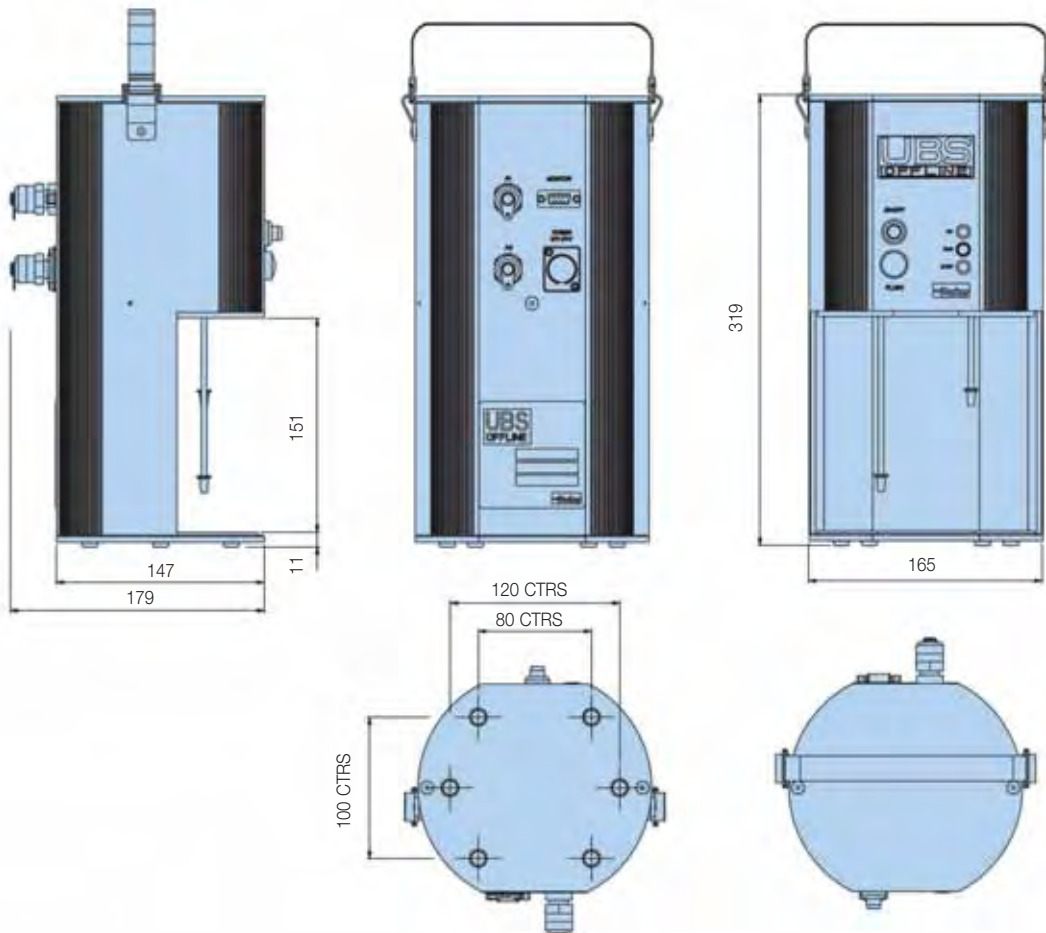
- Simple operation
- Efficient testing procedure
- Clean and contamination free sampling
- Available for both mineral based and aggressive fluids
- Further advances the LCM20's flexibility into laboratory bottle sampling environments
- Can accept various different sized bottles
- Minimal working parts
- Internal auto setting fuse for overload protection
- Simple maintenance procedures



## Specification

Description	UBS offline
Viscosity range 2 to 250 cSt	●
Operating temp +5 to +80°C	●
Test time 2m15s / 4m15s (Flush 2m)	●
12 Vdc power supply	●
Extruded aluminium construction	●
Unit weight - (Kg)	4
Mineral oil and petroleum based compatibility	Fluorocarbon seal
Phosphate Ester group compatibility	EPDM seals
CE certified	●
Military approved	●
Manual operation	●
Bottle pack	●
De-gassing chamber	●
Manual	●
Sample tube pack	●
Interface cable to LCM20, H <sub>2</sub> Oil etc.	●

## Installation Details



# Universal Bottle Sampler

Simple and efficient offline oil sampling

## System Flow Rate

Samples are best taken from a point in the system where the flow is TURBULENT (Reynolds No. greater than 4000). The turbulent flow creates a mixing action. Where flow is streamline or LAMINAR, larger particulate may tend to settle toward the lower pipe surface and not be sampled.

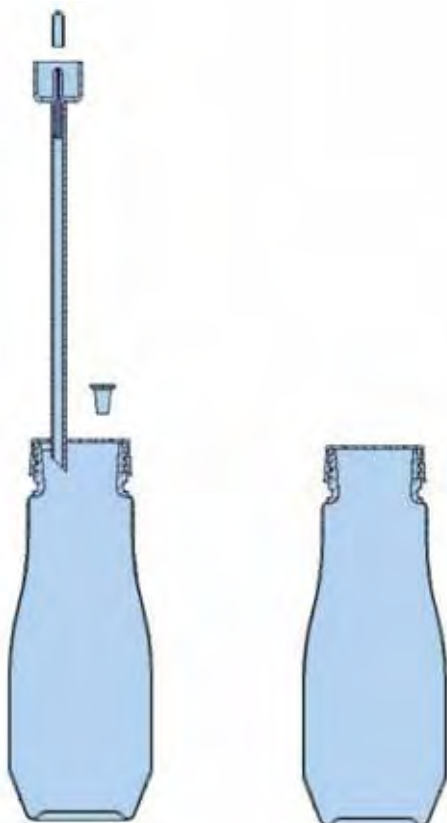
## System Condition Changes

Changes in the system operating condition, flow, temperature, pressure or vibration, can result in previously sedimented contaminant being retrained into the flowing oil. It is also possible that these changes may cause partially contaminated filter elements to shed particulate into the system. Samples should, therefore, be extracted when the system is in a steady state condition and the result less likely to be distorted by contaminant peaks.

There are a number of proprietary sampling valves available which adhere to good theoretical principles. However, they do tend to generate a level of precision and cost which is unnecessary for trend monitoring.



Sampling points should enable extraction of a sample without changing the system's condition. Fine control needle valves are not desirable, as they have a tendency to silt up under some operating conditions, causing the distribution of contaminants in the fluid to be changed. The sampling port should be protected to maintain cleanliness and thoroughly flushed before collecting the sample for analysis. Allow sufficient airspace in the bottle to enable 80% fill.



ACC6NW001 x 50 = ACC6NW002

ACC6NK001

## Bottle Cleanliness

It is preferable that bottles have sealing screw caps and both parts are cleaned to a suitable level in accordance with ISO3722.

The bottle should not contain more than one tenth the number of particles per 100ml than are expected to be monitored. Standard Parker bottles are supplied clean to ISO13/11 (NAS Class 4) and should not be used to accurately count oils cleaner than ISO 15/12 (NAS Class 6) although they may be used for "trend monitoring" at lower levels.

The bottle should remain capped until time of sample filling and re-capped immediately afterwards.

## Sample Mixing

Sedimentation of contaminant in a sample will occur, the rate of which is dependent upon both fluid and particle characteristics.

Samples should be analysed, without delay, once agitated and de-glassed.

## Ordering Information

### Standard products table

Part number	Description
<b>UBS9002</b>	Universal bottle sampler (includes aluminium case and accessories)
<b>UBS9003</b>	Universal bottle sampler
<b>UBS9004</b>	Aggressive universal bottle sampler
<b>UBS9005</b>	Aggressive universal bottle sampler (Includes aluminium case and accessories)

### Accessories

Part number	Supersedes	Description
<b>ACC6NK001</b>	B89907	Sample bottle pair no cap
<b>ACC6NW001</b>	B89911	Sample bottle pair with extraction hose
<b>ACC6NW002</b>	B89910	Sample bottle pack (50 x ACC6NW001)
<b>ACC6NK002</b>	S840054	UBS Power supply
<b>ACC6NK003</b>	S890005	UBS De-gassing chamber and pump
<b>ACC6NK004</b>	B89603	UBS De-gassing chamber only
<b>ACC6NK005</b>	B89902	Cable and adaptor

Note 1: Part numbers featured with bold highlighted codes will ensure a 'standard' product selection.

Note 2: Alternate displayed part number selection will require you to contact Parker Filtration for availability.



## Typical Applications

- Batch sampling
- Aircraft rig certification
- Oil research
- Laboratory testing
- Transfer line monitoring



## Simple To Use UBS

The oil sample is drawn into the UBS Off-line where it is secured, free from further contamination, in a bottle together with a clean waste bottle by a peristaltic, self-priming pump. Simple operation and efficient testing are assured once the UBS Off-line is connected to any of the CM monitors, and powered up using its own power source. The oil sample requires agitation and de-gassing before carrying out the contamination test. A de-gassing kit option is available and consists of a vacuum chamber and pump. (Standard with UBS9002)



# icountBS

## Bottle Sampler



## In the lab or in the field monitoring

Parker Filtration's icountBS is a unique and complete solution providing customers with laboratory fluid bottle sampling using proven on-board, laser based technology. icountBS is a next generation product from Parker's fluid particle analysis and monitoring programme and provides an effective alternative to external laboratory services.



## Contact Information: Product Features:

Parker Hannifin  
**Hydraulic Filter Division Europe**

**European Product  
Information Centre**  
Freephone: 00800 27 27 5374  
(from AT, BE, CH, CZ, DE, EE, ES,  
FI, FR, IE, IT, PT, SE, SK, UK)  
filtrationinfo@parker.com

www.parkerhfde.com

- Quick sample bottle analysis with variable test time options from 15 seconds and volume capacities from 10ml.
- Repeatable and re-producible result performance to ISO4406:1999 and NAS1638 particle count distributions.
- On-board compressor and 'shop' air capability.
- Environmentally controlled front-loading bottle chamber.
- Design concept allowing for portability. DC and rechargeable battery pack power option built in.
- 6 fixed channel size analysis.
- Fluid resistant touch type screen panel.
- On-board thermal printer.
- 500 test memory (fully downloadable).

# The complete solution - industrial design combined with state of the art technology

**The icountBS - Bottle Sampler from Parker with its innovative industrial design has been developed for customers looking for state of the art technology, attention to detail and the compactness of a permanent laboratory particle analysis model.**

Combine this with on-board, laser based, leading edge technology to bring to all industries a truly revolutionary Particle Counter.

The icountBS is a product from the next generation of Parker's fluid particle analysis and monitoring innovations.

The IBS features an easy to use interactive touch screen, environmentally controlled pressurized bottle chamber for air bubble suppression via an internal compressor pump, with automated door locking mechanism, sample tube cleaning sleeve minimizing contamination cross over, and an internal thermal printer.

The icountBS benefits from Parker's knowledge and experience of providing bottle analysis equipment to the market over the last 20 years.

This experience comes from selling market leading innovative solutions and by having front line condition monitoring products for all sectors of fluid analysis opportunities. The unit was at every stage developed with the customer's voice in mind.





## icountBS - Bottle Sampler Features & Benefits

- Quick sample bottle analysis with variable test time options from 15 seconds and volume capacities from 10ml.
- Repeatable and re-producible result performance to ISO4406:1999 and NAS1638 particle count distributions. For other calibration standards consult Parker CMC.
- On-board compressor and 'shop' air capability.
- Design concept allowing for portability. DC and rechargeable battery pack power options built in.
- Cost-effective and economical alternative solution to external laboratory services.
- 6 fixed channel size analysis.
- Fluid resistant touch type screen panel.
- Sample tube self cleaning sleeve minimizing contamination cross over.
- Internal thermal printer.

# Analysing the test results

## I have my results what do I do next?

Solid contaminants in fluid power systems vary in size, shape, form and quantity. The most harmful contaminants are normally between 6 microns and 14 microns. The ISO code is the preferred method of reporting quantity of contaminants.

The ISO code number corresponds to contamination levels relating to three sizes.

The first scale number represents the number of particles larger than

4µm(c) per 100 milliliters of fluid, the second number for particles larger than 6 µm(c) per 100 milliliters of fluid and the third number for particles larger than 14 µm(c) per 100 milliliters of fluid.

For example: An ISO code 20/18/14 indicates that there are between 500,000 and 1,000,000 particles larger than 4µm(c), and between 130,000 and 250,000 particles larger than 6 µm(c), and between 4,000 and 8,000 particles larger than 14µm(c).

## icountBS reporting and data

In addition to the 'raw data' printout of ISO compliant data from the icountBS's on-board printer, icount Mini-lab offers the user the advantage of a 2-page report providing hard copy data on ISO/NAS individual counts and average contamination results.



**FACT \*Did you know the best human eye can only see particles above 40µ(c)?**

## Component Cleanliness Guide

Suggested acceptable contamination levels for typical hydraulic systems

Target contamination class to ISO 4406: 1999			Suggested maximum particle level			Sensitivity	Type of system	Typical components
4 µm(c)	6 µm(c)	14 µm(c)	4 µm(c)	6 µm(c)	14 µm(c)			
15	13	9	16,000	4,000	250	Super critical	Silt-sensitive control systems with very high reliability. Laboratory or aerospace	High performance servo valves
17	15	11	64,000	16,000	1,000	Critical	High performance servo and high pressure long life systems, e.g. aircraft, machine tools etc.	Industrial servo valves
18	16	13	130,000	32,000	4,000	Very important	High quality reliable systems. General machine requirements	Piston pumps, proportional valves, compensated flow controls
20	18	14	500,000	130,000	8,000	Important	General machinery and mobile systems. Medium pressure, medium capacity	Vane pumps, spool valves
21	19	15	1,000,000	250,000	16,000	Average	Low pressure heavy industrial systems, or applications where long life is not critical	Gear pumps, manual and poppet valves, cylinders
23	21	17	4,000,000	1,000,000	64,000	Main protection	Low pressure systems with large clearances	Ram pumps

### Notes:

Tables have been generated by organisations in various industries.

Some of the tables are defined in cumulative counts, e.g. '>6µm' and others are represented as differential counts e.g. '6-14µm'.

All µm(c) refer to MTD distributions. All µm references will refer to ACFTD distributions.

All standards are in counts per 100ml and provide easy methods for converting particle counts into limits that are simple to interpret. By noting the requirements of the standard, particle counts can be accurately converted to contamination levels.



# icountBS Product Specification

<b>Principle of Operation</b>	Laser based light obscuration
<b>Calibration Dust</b>	MTD or ACFTD
<b>Dimensions</b>	H=530 x W=190 (210 Door clearance) x D=410 (mm) H=20.9in x W=7.5in x 16.9in
<b>Weight</b>	18Kg
<b>Mechanical Composition</b>	Stainless steel 316, plated mild steel and aluminium
<b>Plastics Composition</b>	Precision polyurethane RIM mouldings and ABS plastic
<b>Environmental Operating Temperature (Fully Tested)</b>	+5°C to + 60°C (41°F to 140°F)
<b>Operating % RH range</b>	20 – 85% (Tested at 30°C, no condensation)
<b>Storage Temperature</b>	-40°C to + 90°C (-40°F to 194°F)
<b>Storage RH range</b>	10 – 90% (Tested at 30°C (86°F), no condensation)
<b>Channel Sizes</b>	MTD - $\geq 4\mu(c)$ , $\geq 6\mu(c)$ , $\geq 14\mu(c)$ , $\geq 21\mu(c)$ , $\geq 38\mu(c)$ , $\geq 70\mu(c)$ ACFTD - $\geq 2\mu$ , $\geq 5\mu$ , $\geq 15\mu$ , $\geq 25\mu$ , $\geq 50\mu$ , $\geq 100\mu$
<b>Analysis Range</b>	ISO 7 to 21, NAS 0 to 12
<b>Contamination Standards</b>	MTD - ISO 4406:1999 & NAS 1638 ACFTD - ISO 4406:1987, ISO 4406:1991 & NAS 1638 For further contamination standards consult Parker CMC
<b>Calibration Standard</b>	ISO MTD and ACFTD calibration to traceable ISO Standards. (Contact Parker CMC for further details).
<b>Fluid Management</b>	Maximum single sample = 100ml Minimum single sample = 10ml
<b>Possible Test Configurations</b>	User selectable from single test up to 5 tests per run (eg. 1x100ml up to 5 x50ml per run)
<b>Pre-Test Flush Volume</b>	Minimum = 10ml, Maximum = 100ml
<b>Viscosity Range</b>	1-400 cSt
<b>Fluid Compatibility</b>	Mineral oils, petroleum and hydrocarbon based fluids (consult manufacturer) and some esters (consult manufacturer).
<b>Sample Bottle Size</b>	Non specific. Max size = Ø75 (2.95in) x (H) 150 mm (5.9in). Max Volume = 250ml
<b>Memory Storage</b>	500 Tests (capacity warning after 450 tests)
<b>Output Display</b>	Backlight 256 Colour STN Transmissive
<b>Output Display Resolution</b>	320 x 3(R.G.B)(H) x 240(W) dots
<b>Display Active Area</b>	115(H) x 86(W) mm 4.5in (H) x 3.4 in (W)
<b>Data Input</b>	Via icon driven oil resistive touch screen
<b>Printer</b>	Thermal dot-line printing
<b>Printer Paper</b>	Ø50mm – (57mm x 25mm) Ø 1.97in – (2.24in x 0.98in)
<b>Test Certification</b>	Fully traceable Calibration & Certificate of Conformity
<b>Power Supply</b>	12Vdc@ 6.60Amps, 80 watts max.
<b>Battery Power</b>	2 Hours (recommended to be fully charged every 3 months)
<b>Battery Stand-By Time</b>	1 month (then 1 hour of operation)
<b>Battery Fuse</b>	6.3 Amps (anti-surge)
<b>Air pressure Source</b>	3.5 bar (51 PSI) internal Mini-compressor or 7 Bar (101 PSI) shop air



# icountBS – Bottle Sampler Ordering Information

Key	Fluid Type		Calibration		Future Option		Future Option	Future Option	Future Option	Future Option	Power Supply Region	
IBS	1	Mineral	1	ACFTD	0	Lab Unit	0	0	1	0	0	UK
			2	MTD	1	Mini-lab Package					1	USA
											2	Europe

Key	Fluid Type		Calibration		Future Option		Future Option	Future Option	Future Option	Future Option	Power Supply Region	
IBS	1		2		0		0	0	1	0	0	
IBS	1		2		0		0	0	1	0	1	
IBS	1		2		0		0	0	1	0	2	

Part Number	Accessories
ACC6NW001	2 x 250ml sample bottle pack
ACC6NW002	100 x 250ml sample bottles (50 packs of 2)
ACC6NW003	Vapour / Waste bottle
ACC6NW005	Printer paper reel (x1)
ACC6NW006	UK power supply
ACC6NW007	USA power supply
ACC6NW008	European power supply
ACC6NW009	1 meter waste tube (Clear)
ACC6NW010	1 meter vapour hose (Blue)
ACC6NW011	USB memory stick
ACC6NW012	IBS CD manual
ACC6NW020	IBS transit case
SERMISCO49	Verification fluid

## New icountABS coming soon

A new aviation fuel bottle sampler based on the icountBS with a method of operation which complies with IP564 methodology will be available soon.

Consult Parker for more details.



# Introducing the icount 'Mini-lab' – The effective way of utilising your icountBS

## How clean is your hydraulic system?

Contamination Control is only an oil sample away with our easy, 3-Step fluid analysis service.

### Step 1

Obtain your sample of hydraulic oil.

### Step 2

Take the 2 minute off-line oil sample test.

### Step 3

View your results and run a report immediately.



Kit comprises: icountBS. Flat-pack trolley. 30 sample bottles. Optional Laptop/software/printer and cables

# CMC Service Centres

## Global Support for CMC products

### Improving aftermarket support for condition monitoring products.

Parker's fluid Condition Monitoring Service Centres can be found currently in 10 locations around the globe, on almost every continent. Our experience and expertise in fluid condition monitoring and analysis ensure we are THE authority within our industry.

Each location offers first class aftermarket support for Condition Monitoring products, giving:

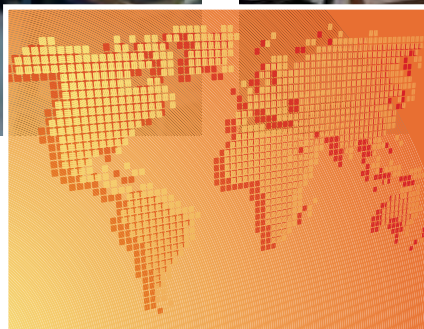
- Direct Contact for End Users.
- Quick and confident technical support to assist you in maintaining an efficient and trouble free monitoring process.

- Faster turn around for annual calibration verification, resulting in the product not having to come back to the country of manufacture.

### Parker also offers on the icountACM20 laboratory unit:

- A six monthly field use verification sample for confident product performance.
- An extended two year warranty, giving confidence in product readiness.

Visit [www.parkerhfde.com/condition/service/](http://www.parkerhfde.com/condition/service/) to find your nearest location and contact details.



### Parker returns policy and calibration procedure

Each product returned to an approved Parker Service Centre will have the following:

- **A visual inspection of all case components.**

If any components from the support case require replacing, please notify the Service Centre at the time of return.

Parker holds no responsibility for case contents and will only replace parts if required or deemed necessary.

- **An external inspection of the complete assembly.**

The particle counter will be thoroughly checked for signs of damage or misuse and if necessary an estimate of the cost of repair will be provided.

- **Full functionality test.**

This includes visual inspection of internal parts and their operation.

- **Replacement of any defective or damaged parts.**

No corrective work will be carried out on the product returned without the authorization from the end user.

- **Recalibration (with a Certificate valid for 12 months).**

Each unit is calibrated to the relevant ISO standards.

The recalibration procedure does not include the replacement of any damaged components that have been deemed defective through negligence or misuse.

# Single Point Sampler

Online Sampling

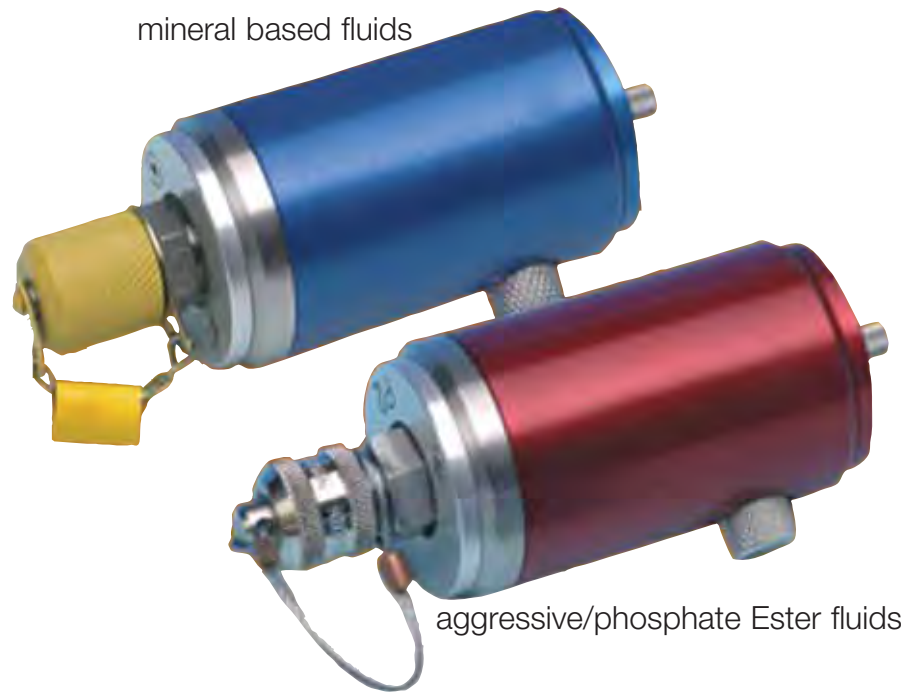


## Lightweight and compact connection

### The effective link to ensure accurate contamination monitoring

The SPS (Single Point Sampler) is a lightweight, compact and easy to use online sampling unit that connects an icountLCM20 or H<sub>2</sub>Oil to a single pressure test point in a fluid system. Suitable for use with mineral and biodegradable oils, petroleum based and phosphate ester fluids, the SPS offers fingertip operated control even at high pressures - 420 bar (6000 PSI) rated maximum pressure.

mineral based fluids



aggressive/phosphate Ester fluids

## Contact Information:

Parker Hannifin  
Hydraulic Filter Division Europe

European Product  
Information Centre  
Freephone: 00800 27 27 5374  
(from AT, BE, CH, CZ, DE, EE, ES,  
FI, FR, IE, IT, PT, SE, SK, UK)  
filtrationinfo@parker.com

www.parkerhfde.com

## Product Features:

- Lightweight, compact and easy to use online sampling unit.
- Connects an icountLCM20 or H<sub>2</sub>Oil to a single pressure test point in a fluid system.
- Suitable for use with mineral and biodegradable oils, petroleum based and phosphate ester fluids.
- 420 bar (6000 PSI) rated maximum pressure

# Single Point Sampler

## Online Sampling

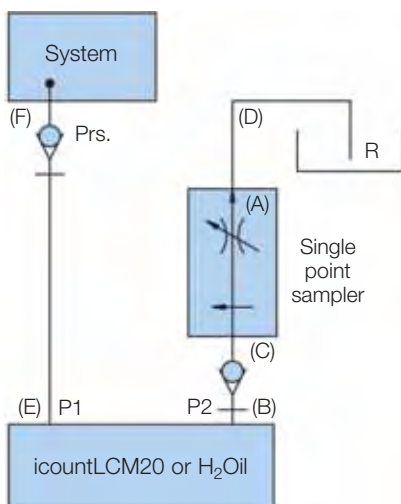
### Features & Benefits

The Single Point Sampler provides a means to connect an icountLCM20 or H<sub>2</sub>Oil to a single pressure test point and balance the differential pressure across the system, to provide a controlled flow of oil into the icountLCM20 or H<sub>2</sub>Oil and away into a waste oil receptacle.

- Lightweight, compact and easy to use design
- Fingertip operated control valve even at high pressures
- 420 bar (6,000PSI) rated
- Facilitates testing from large diameter pipework
- Capability to test up to 500cSt viscosity oils (pressure permitting)
- Pressure compensated flow control mechanism
- Possible to control the valve with the same level of accuracy whether the device is operating at high or low pressure
- Capable of allowing a flow rate in excess of 10ml/min when operating at any viscosity within the product specification
- Suitable for fluid temperatures from +5°C to +80°C (+41°F to +176°F)
- High quality polished finish. (stainless steel/ aircraft grade aluminium)
- Capable of working with an icountLCM20 or H<sub>2</sub>Oil connected into a system via the standard one metre extension hose kit
- Suitable for use with mineral and biodegradable oils, petroleum based and phosphate ester fluids
- Phosphate ester version utilises the 5/8" BSF HSP style fitting
- Designed so that it meets the lowest possible level of magnetic permeability
- Supplied with accessories kit
- It will maintain the set flow rate between upper and lower limits within a 100 bar inline pressure change
- Clear product identification to ensure that it is connected correctly. (i.e. downstream of the icountLCM20 or H<sub>2</sub>Oil)



### Connection Instructions



1. Ensure valve is closed (A).
2. Connect P2 on icountLCM20 or H<sub>2</sub>Oil (B) to P2 on Single Point Sampler (SPS) (C).
3. Connect drain line on SPS (D).
4. Connect P1 of icountLCM20 or H<sub>2</sub>Oil (E) to the system (F).
5. The SPS is ready to operate.
6. Open valve (A) slowly until the oil flows continuously from the drainline (D) into a reservoir or receptacle (R).
7. Switch on monitor and begin testing.

#### icountLCM20 Only

Carry out flow test as shown in the manual. If test is showing below  $\Delta t$  3.6°C then carry out test as normal. If, however, test is above  $\Delta t$  3.6°C then increase oil flow by turning valve (A) anticlockwise and then carry out flow test. Do this until  $\Delta t$  is below 3.6°C and carry out test as normal once achieved.

**WARNING! Ensure that SPS valve is closed and icountLCM20 or H<sub>2</sub>Oil is connected to the SPS BEFORE connection to system.**

## Specification

### Fluid compatibility:

Mineral oil and petroleum based fluids (standard version).  
Aggressive fluid (dual seal version) for other fluids consult Parker Hannifin.

### Seals:

Fluorocarbon or Perfluoroelastomer.

### Maximum working pressure:

420 bar (6000 psi).

### Weight:

500 grams max. (Not including hoses).

### Packaging standard:

Cardboard carton (military usage - plastic carry case).

### Unit size:

45mm dia x 123mm long. (1.77in dia x 4.8in long).

### System connection:

Standard - M16 (G<sup>1</sup>/<sub>4</sub>" BSP) with cap,  
Aggressive - <sup>5</sup>/<sub>8</sub>" BSF HSP.

### Operating temp range:

+5°C to +80°C (+41°F to +176°F).

### Storage temperature range:

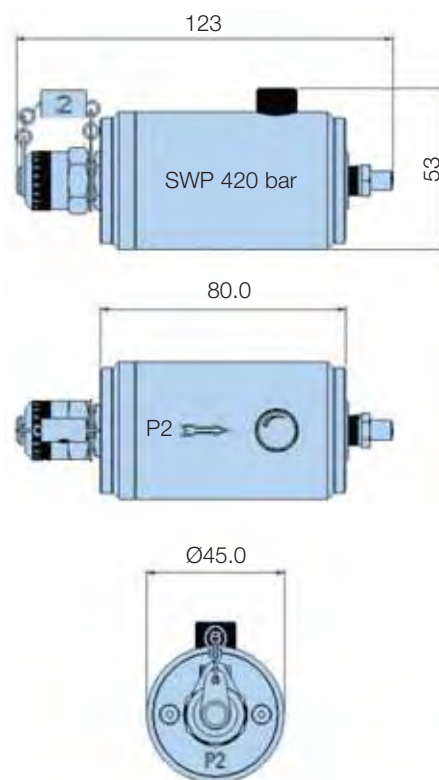
-26°C to +80°C (-15°F to +176°F).

### Construction:

Body: Aluminium BS 1470 – pressurised end stainless steel.

Finish: Anodised blue (standard version) - Mineral Oil.

Anodised red (dual seal version) - Aggressive Oil.



## Ordering Information

### Standard products table

Part number	Supersedes	Description
<b>SPS2021</b>	SPS.2021	Single point sampler (Mineral Oil fluids)
SPS2061	SPS.2061	Single point sampler (Aggressive/phosphate ester fluids)
ACC6NW003	B84784	Waste bottle (Universal)
ACC6NH001	B84224	Extension hose/coupling (Mineral fluids)
ACC6NH002	B84225	Extension hose/coupling (Aggressive/phosphate ester fluids)
ACC6NH003	B84788	Waste hose (Mineral Oil)
ACC6NH004	B84787	Waste hose (Aggressive/phosphate ester fluids)

Note 1: Part numbers featured with bold highlighted codes will ensure a 'standard' product selection.

Note 2: Alternate displayed part number selection will require you to contact Parker Filtration for availability.

# System20

Inline Sensors & Monitors



## A proven method of accurate condition monitoring of a system

### Effective inline sensors and monitors for fluid condition monitoring

Inline System20 sensors and hand-held monitors designed to give accurate and instant fluid system readings of flow, pressure and temperature. 3 sizes of inline System20 sensor for pressures up to 420 bar, an analogue monitor that utilizes 3 day-glow gauges with protective cover. EM20 electronic monitor with full digital display and 300 test memory.



## Contact Information:

Parker Hannifin  
**Hydraulic Filter Division Europe**

**European Product Information Centre**  
**Freephone: 00800 27 27 5374**  
**(from AT, BE, CH, CZ, DE, EE, ES, FI, FR, IE, IT, PT, SE, SK, UK)**  
**filtrationinfo@parker.com**

[www.parkerhfde.com](http://www.parkerhfde.com)

## Product Features:

- 2 types of System20 sensor are available. STI=industrial with reverse flow capability. STS=Mobile without reverse flow capability.
- 3 sizes of industrial inline System20 sensor for pressures up to 420 bar. 2 sizes of Mobile System20 sensor.
- Analogue monitor utilizes 3 day-glow gauges with protective cover.
- EM20 electronic monitor with full digital display and 300 test memory.
- For use with all mineral oils, water and oil/water emulsions.



# System20

## Inline Sensors & Monitors

### Features & Benefits

Covering a wide range of flow rates, fluid types and applications, Parker's System 20 sensors are designed to be used with System 20 electronic or analogue monitors, icountLCM, icountPD and the H<sub>2</sub>Oil. Specially developed System20 sensors are available for use with aggressive fluids. (EPDM Seals)

- System20 monitors, combined with the inline sensor, give the user accurate and instant readings of flow, pressure and temperature without the need for costly system downtime.
- For use with all mineral oils, water and water/oil emulsions.

#### Analogue Monitor

- Utilises 3 Day-Glo dial gauges with a protective hinged cover.
- Calibrated up to 380 l/min with dual scale bar/PSI & °C/°F. (USGPM also available)

#### EM20 Electronic Monitor

- Gives a full digital display.
- Automatically calibrated for all 3 sizes of sensor.
- Indicates line, differential and rising peak pressure.
- Easily scrolled from metric to US.
- 300 test memory.
- Capable of downloading saved data to download software.

#### Typical Applications

- Drilling equipment
- Mining
- Grinding and conveying
- Industrial hydraulics
- Mobile applications

Hydraulic system users need to ensure that lost production is kept to the absolute minimum. To ensure this, predictive maintenance utilising routine condition monitoring of hydraulic systems is essential.

System20 inline sensors remain at the heart of condition and contamination monitoring. Whether you're mining the coal, building the new bypass, harvesting the crops, crossing the oceans or drilling offshore – whatever your industry, System20 represents the premier system monitoring available today.



2 sizes of System20 Inline Mobile Sensors are available

# System20

## Inline Sensors & Monitors

### Specification: Sensors

#### Construction:

Industrial: (STI)  
 Body: S/Steel 303  
 Internal components: S/Steel and Brass  
 Mobile: (STS)  
 Body: S/Steel 303  
 Internal components: Cast Aluminium and S/Steel

#### Flow capacities:

All suitable for use with oil, water and oil/water emulsion  
 Size 0: 6-25 l/min (0.5-7US GPM)  
 Size 1: 20-100 l/min (1.5-26 US GPM)  
 Size 2: 80-380 l/min (5-100 US GPM)

#### Max. working pressure:

420 bar (6000PSI)

#### Capability:

Reverse flow (STI only)

#### Pressure drop:

At max. rated flow,  $\Delta p$  is 1.1 bar (mineral oil fluid at 30 cSt 140 SSU).

#### Ports:

Size 0: G<sup>3</sup>/<sub>8</sub>  
 Size 1: G<sup>3</sup>/<sub>4</sub>  
 Size 2: G1<sup>1</sup>/<sub>4</sub>

#### Repeatability:

±1% FSD

#### Accuracy:

Flow ±2.5% full scale deflection\*

#### Weight:

Size 0: 0.5kg (1.2lbs)  
 Size 1: 3.5kg (8.4lbs)  
 Size 2: 4.4kg (9lbs)

#### Aggressive Fluid Applications:

EPDM internal/external seals



Dimensions (mm)

	Size	Model	AØ	B	C
Industrial	0	STI	30	95	56
	1	STI	41	137	66.5
	2	STI	66.7	231.3	73.5
Mobile	1	STS	41	105	79
	2	STS	60	165	97

### System20 Saving £50,000 Pump Damage

Installing System 20 was part of a major restructuring plan to improve mining effectiveness and profitability. Machine operator training and oil storage operative training were essential elements of the plan. Prior to this investment, pump terminal damage could cost £10,000 for a replacement, over £1000 service costs and up to £39,000 in lost production. Add to this the difficulties of the mine's geography and it's easy to see the problems that have now been overcome.

### Ordering Information

#### Standard products table

Product number	Supersedes	Size	Flow range l/min	Fluid type	Port threads	Reverse Flow capability
<b>STI0144100</b>	STI.0144.100	0	6-25	Mineral	3/8	Yes
<b>STI1144100</b>	STI.1144.100	1	20-100	Mineral	3/4	Yes
<b>STI2144100</b>	STI.2144.100	2	80-380	Mineral	1 1/4	Yes
STI0148100	STI.0148.100	0	6-25	Aggressive	3/8	Yes
STI1148100	STI.1148.100	1	20-100	Aggressive	3/4	Yes
STI2148100	STI.2148.100	2	80-380	Aggressive	1 1/4	Yes
STS5117210	STS.5117.210	1	20-100	Mineral	3/4	No
STS5217210	STS.5217.210	2	80-380	Mineral	1 1/4	No

Note 1: Part numbers featured with bold highlighted codes will ensure a 'standard' product selection.

Note 2: Alternate displayed part number selection will require you to contact Parker Filtration for availability.

Note 3: Mobile Sensors are also available - Contact Parker

Note 4: \*Accuracy 5.5% > 95 L/min. (Applies to STI1144100 and STI1148100 only)

### System20 reduces the cost of lost Production

The mining industry puts a considerable demand on hydraulics and there are others such as agricultural machinery, harvesters or tractors and, for example, cement manufacturing plants that are equally demanding of hydraulic efficiency.

A grinding and conveying plant processes in excess of 1000 tons of ore per day in the manufacture of cement products. A days lost production costs £000's. After one year of operation the Plant Engineers decided to invest in System20 equipment, strategically placed to allow the Engineers to 'fault-find' the major components quickly and easily. The result is that downtime and loss of production have been reduced by 80%.



# System20

## EM20 Electronic Monitor

### Electronic Monitor Specification

#### Construction:

A sealed assembly requiring no routine maintenance or adjustment. Body moulding in Acrylonitrile Butadene Styrene (ABS). Key pad moulded in silicon rubber. The monitor is suitable for use with all mineral oils, water and oil/water emulsions.

#### LCD details

##### Flow section:

The analogue flow scale has reverse flow and overflow indication and provides a percentage reading of the digital full scale display automatically calibrated for all sizes of System 20 Sensor.

##### Pressure section:

Designed to indicate line pressure, differential pressure and rising peak pressure. Connected to a System 20 Sensor it will monitor pressure up to 420 bar (6000 psi) with an accuracy of  $\pm 1\%$  FSD.

##### Temperature section:

Temperature reading between  $-10^{\circ}\text{C}$  and  $+110^{\circ}\text{C}$  ( $14^{\circ}\text{F}$  to  $230^{\circ}\text{F}$ ).

#### Weight:

1.4kg (3lbs).

#### Data logging:

Each test logs the following data:

Test number; time & date; sensor size; media tested; flow rate, pressure & temperature.

#### Data download:

The System 20 electronic monitor is capable of downloading saved test data to a compatible PC via an RS232 connection using datum.

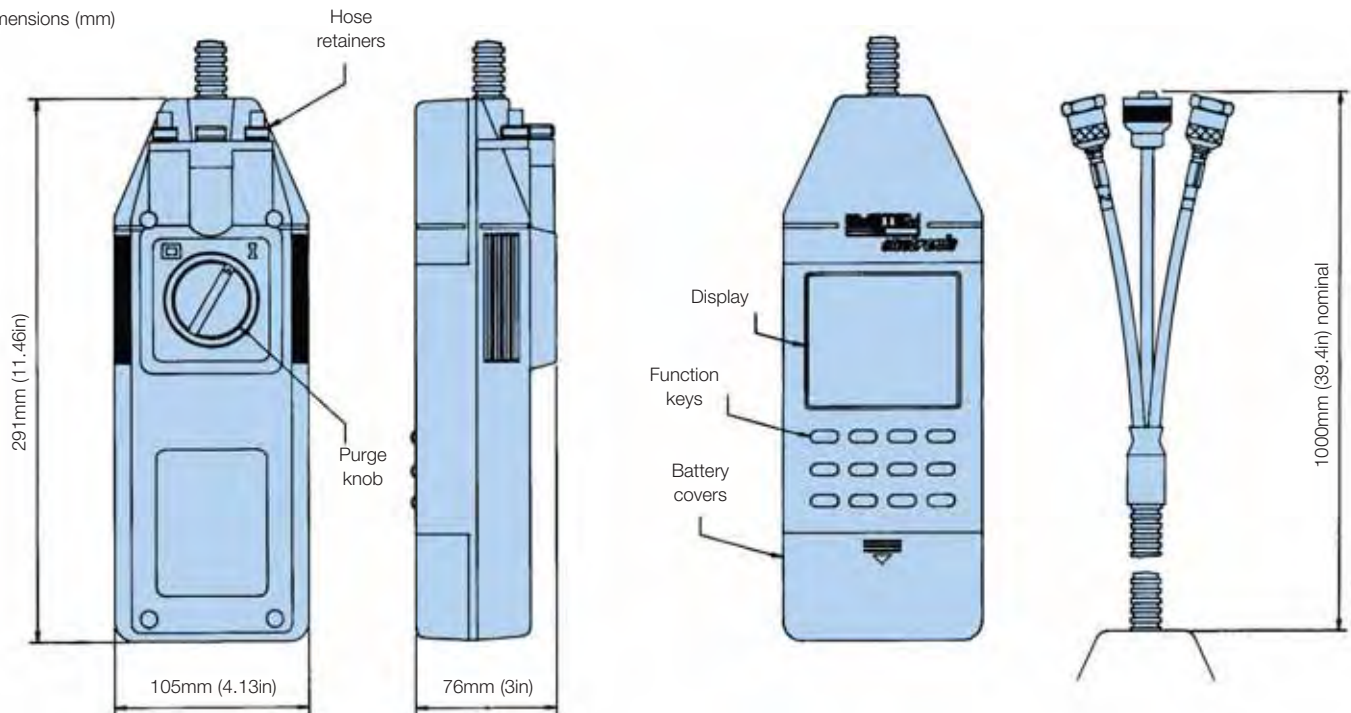
#### Batteries:

6 x AA batteries.

#### Re-calibration:

Annual certification by an approved Parker Service Centre.

Dimensions (mm)



### Ordering Information

#### Standard products table

Product number	Supersedes	Description
<b>EM209000</b>	EM20.9000	System 20 electronic monitor
ACC6NJ000	P653607	Transit case
ACC6NJ001	B85617	Dongle and cable assembly

Note 1: Part numbers featured with bold highlighted codes will ensure a 'standard' product selection.

Note 2: Alternate displayed part number selection will require you to contact Parker Filtration for availability.



# System20

## Analogue Monitor

### Analogue Monitor Specification

#### Construction:

A sealed assembly requiring no routine maintenance or adjustment. Body moulding in Acrylonitrile Butadene Styrene (ABS). The monitor is suitable for use with all mineral oils, water and oil/water emulsions. The monitor has 3 dayglo dial gauges and features a protective hinged cover.

#### Gauge details

##### Flow section:

The flow scale has double scales for size 1 and 2 sensors only. Calibrated up to 100 l/min (26 US GPM) and 380 l/min (100 US GPM). The flow dial has excess-flow indication.

When the system is in reverse flow or when the high pressure lines to the sensor have been transposed, a 'below zero' indication is given.

Note: For measuring size Ø sensors - contact Parker

##### Pressure section:

Dial readings in both bar and psi up to 420 bar (6000psi).

##### Temperature section:

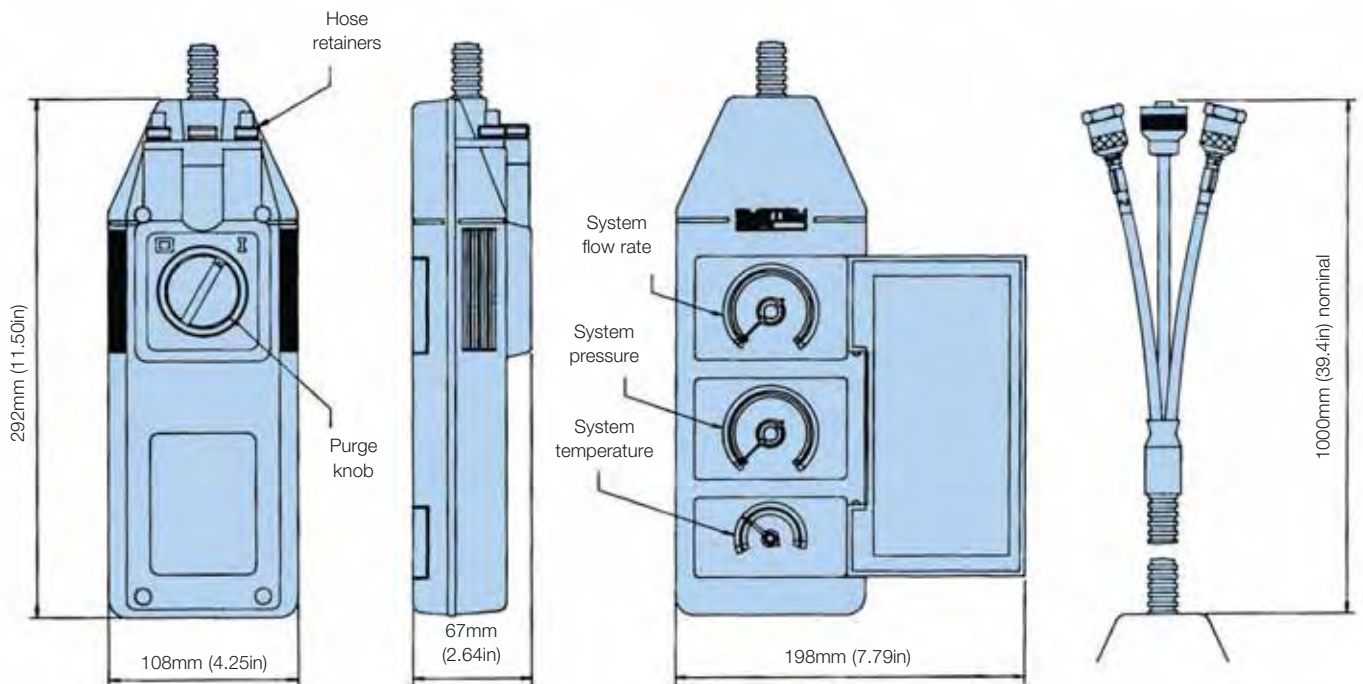
The temperature dial gives readings between -10°C and +110°C (14°F to 230°F).

##### Weight:

1.4kg (3lbs).

A viscosity chart is provided for mineral oil applications where monitoring is required at variable viscosities (cSt).

Dimensions (mm)



### Ordering Information

#### Standard products table

Product number	Supersedes	Media type	Flow readings	Pressure readings	Temperature readings
<b>STM6211110</b>	STM.6211.110	Oil	l/min	Dual scale bar/PSI	Dual scale °C/°F
STM6611110	STM.6611.110	Oil	US GPM	Dual scale bar/PSI	Dual scale °C/°F
STM6211120	STM.6211.120	Water	l/min	Dual scale bar/PSI	Dual scale °C/°F
STM6611120	STM.6611.120	Water	US GPM	Dual scale bar/PSI	Dual scale °C/°F

Note 1: Part numbers featured with bold highlighted codes will ensure a 'standard' product selection.

Note 2: Alternate displayed part number selection will require you to contact Parker Filtration for availability.

#### Accessories

Product number	Supersedes	Description
ACC6NJ000	P653607	Transit case
ACC6NJ002	P653106	Metal sensor protective cap



# MCM20

## Autoremove Particle Counter



### Permanent installation ensures 24/7 monitoring of systems

#### Online continuous particle counting to protect fluid systems

MCM20 online continuous particle counting ensures constant system monitoring within defined parameters. PC/PLC controlled, it can be pre-set to carry out tests at specific intervals and connects permanently to a System20 sensor via a 2-metre hose assembly.



### Contact Information:

Parker Hannifin  
**Hydraulic Filter Division Europe**

**European Product Information Centre**  
**Freephone: 00800 27 27 5374**  
**(from AT, BE, CH, CZ, DE, EE, ES, FI, FR, IE, IT, PT, SE, SK, UK)**  
**filtrationinfo@parker.com**

[www.parkerhfde.com](http://www.parkerhfde.com)

### Product Features:

- MCM20 online continuous particle counting ensures constant system monitoring within defined parameters.
- Calibration carried out to ISO11171 via ISO11943 principles. Multi-standard ISO and NAS reporting including full count/100 ml. detection at size ranges.
- Interactive handset options available for direct test sequencing, change test parameters and last test results.
- PC/PLC controlled.
- Can be pre-set to carry out tests at specific intervals.
- Connects permanently to System20 sensors via 2 metre hose assembly.

# MCM20

## Autoremove Particle Counter

### Features & Benefits

- The MCM20 is an online continuous particle counter ensuring constant system monitoring within defined parameters.
- PC/PLC controlled
- Ensures constant system monitoring.
- Can be pre-set to carry out tests at specific intervals.
- Can be set up via optional detachable Handset.
- Enclosed in a metal casing, with internal workings on a removable chassis for ease of service and calibration.
- Connects permanently to System20 sensors via 2 metre hose assembly (supplied).
- Simple data formatting programme for trend analysis.

### Typical Applications

- Test rigs
- Construction machinery
- Industrial plant
- Hydraulic equipment & system manufacturers
- Paper processing
- Steel rolling mills
- Military equipment application

### The Parker MCM20

Using proven portable particle counting technology (icountLCM20), the MCM20 and its principles are available to users where continuous, permanent installed monitoring is required.

The MCM20 utilises the latest laser diode method of particle counting. The unit is enclosed in a metal casing with access to the hydraulic connection, DC input power, fuse holder and PC/PLC connection ports located on the front panel.

The internal workings are manufactured onto a removable chassis for ease of service and calibration.



**Test cycle time:**

Variable between 30 seconds and 3 minutes.

**Repeat test time:**

Continuous Mode or between 30 seconds and 1440 minutes (24 Hours).

**Principle of operation:**

Optical scanning analysis and measurement of actual particles.

**Particle counts:**

6 channels either ACFTD or MTD calibrated.

**International codes:**

ISO 7-22, NAS 0-12.

**Storage temperature:**

-40°C to +80°C (104°F to 176°F).

**Operating temperature:**

+5°C to +60°C (41°F to 140°F) (hydraulic oil temperature).

**Unit control connection:**

Terminal protocol via RS 232 or optional handset.

**Data retrieval:**

Local PC / PLC program or by optional handset.

**Calibration:**

By accepted on-line methods confirmed by relevant International Standard Organisation procedures.

**Re-calibration:**

Annual certification by an approved Parker Service Centre.

**Max. working pressure:**

420 bar (6000 PSI).

**Minimum working pressure:**

2 bar (29 PSI).

**Fluid compatibility:**

Mineral oil or petroleum based fluids.  
Aggressive fluid version also available.

**Sample requirements:**

0.3 – 1.5 DP bar (differential pressure) via approved inline sampling concept.

**System connection:**

Via System 20 inline sensors / single point sampler

**Computer compatibility:**

Interface via RS 232 connection @ 9600 baud rate.

**Weight:**

8.75kg.

**Power requirement:**

12 Vdc input. (1.25A (T) fuse). Regulated.

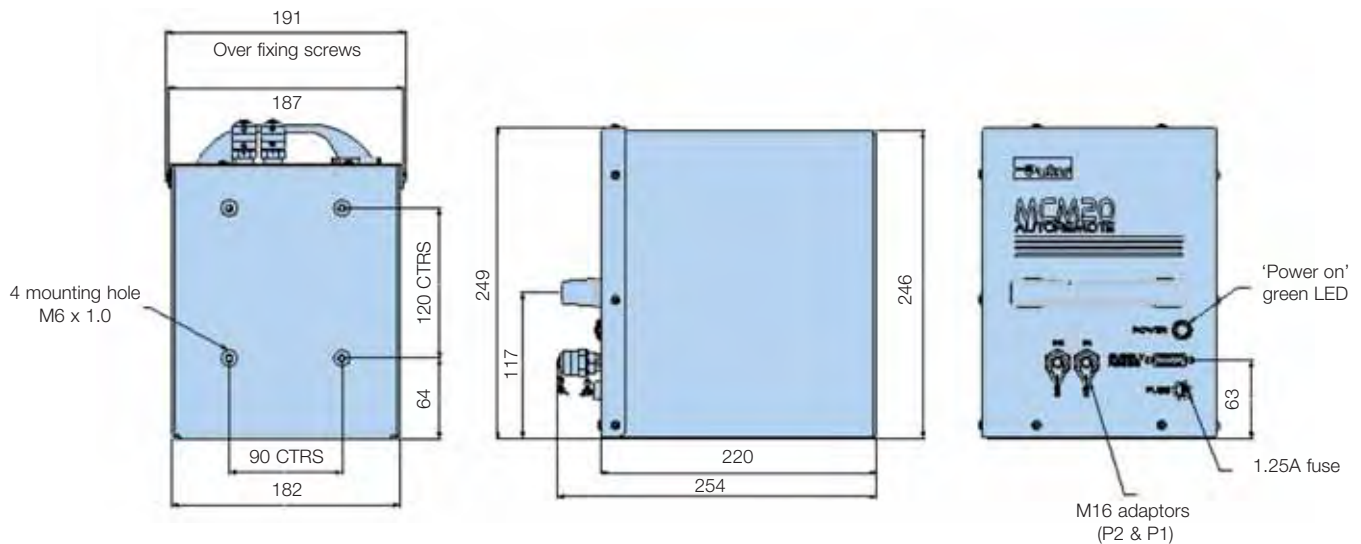
**Installation:**

Back/base M6x1.0 mounting inserts (see annotated diagrams).

**Software:**

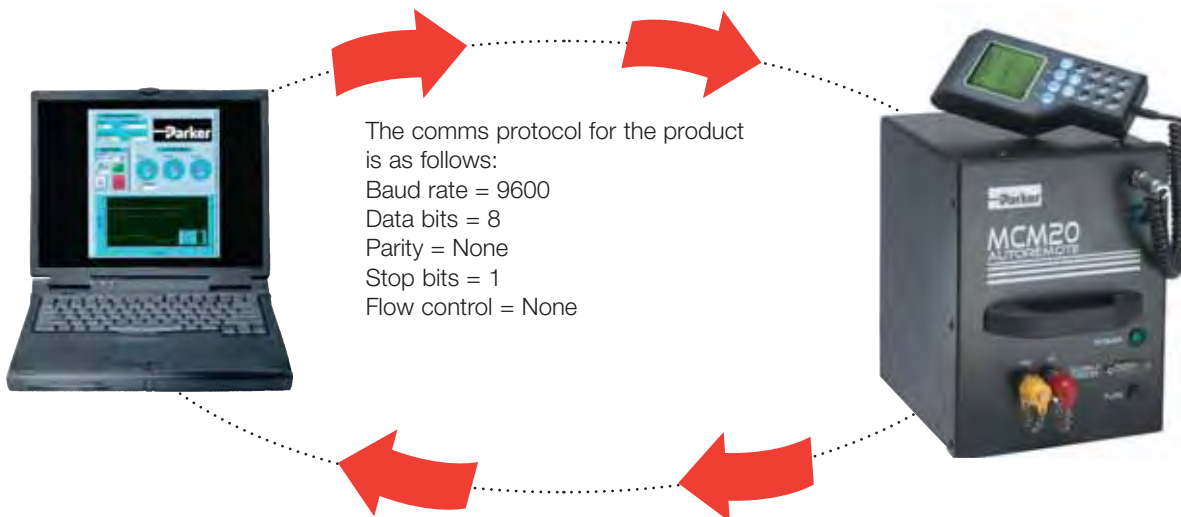
LabView demonstration software.

Dimensions (mm)



# MCM20

## Autoremove Particle Counter



The comms protocol for the product is as follows:  
 Baud rate = 9600  
 Data bits = 8  
 Parity = None  
 Stop bits = 1  
 Flow control = None

Labview

Optional Remote Handset



- Customised demonstration/software for MCM operation.
- Full graphic display.
- Visual indication of limit parameters.



Optional remote handset for direct interface control. Please consult Parker for more information.

### Standard products table

Product number	Supersedes	Description
<b>MCM202022</b>	MCM20.2022	A/remote particle counter for mineral fluids (MTD calibrated)
<b>MCM202022HS</b>	MCM20.2022.HS	A/remote particle counter for mineral fluids (MTD calibrated) with Handset
<b>MCM202021</b>	MCM202021	A/remote particle counter for mineral fluids (ACFTD calibrated)
<b>MCM202021HS</b>	MCM202021HS	A/remote particle counter for mineral fluids (ACFTD calibrated) with handset
<b>MCM202061</b>	MCM202061	A/remote particle counter for mineral fluids (ACFTD calibrated)
<b>MCM202061HS</b>	MCM202062	A/remote particle counter for mineral fluids (ACFTD calibrated) with handset
<b>MCM202062</b>	MCM202061HS	A/remote particle counter for mineral fluids (MTD calibrated)
<b>MCM202062HS</b>	MCM202062HS	A/remote particle counter for mineral fluids (MTD calibrated) with handset
<b>ACC6NB001</b>	B94106	Handset (Blue keypad) mineral fluids
<b>ACC6NB002</b>	B94107	Handset (Red keypad) aggressive fluids
<b>ACC6NN003</b>	B94802	2 meter mineral hose assembly
<b>ACC6NN004</b>	B94801	2 meter aggressive hose assembly

Note 1: Part numbers featured with bold highlighted codes will ensure a 'standard' product selection.  
 Note 2: Alternate displayed part number selection will require you to contact Parker Filtration for availability.





# icountPD

Online Particle Detector

For mineral oil, aggressive fluids or fuels



## Independent monitoring of system contamination trends

The icountPD Particle Detector from Parker represents the most up to date technology in particle detection. The design dynamics, attention to detail and moulding compactness of the permanently mounted, on-line particle detector module, combined with on-board, laser based, leading-edge technology, brings to all industries a truly revolutionary, particle detector as a remarkable cost effective market solution to fluid management and contamination control.



icountPD for mineral oil applications

## Contact Information:

Parker Hannifin  
**Hydraulic Filter Division Europe**

**European Product Information Centre**  
**Freephone: 00800 27 27 5374**  
**(from AT, BE, CH, CZ, DE, EE, ES, FI, FR, IE, IT, PT, SE, SK, UK)**  
**filtrationinfo@parker.com**

[www.parkerhfde.com](http://www.parkerhfde.com)

## Product Features:

- Independent monitoring of system contamination trends.
- Warning LED or digital display indicators for Low, Medium and High contamination levels.
- Visual indicators with power and alarm output warnings.
- Moisture %RH indicator (optional).
- Cost effective solution to prolong fluid life and reduce machine downtime.
- M12 8 pin or Deutsch Connector options.
- Continuous performance for prolonged analysis.
- Fuel, Hydraulic and phosphate Ester fluid compatible construction.
- Self diagnostic software.
- Full PC/PLC integration technology such as:- RS232 and 0-5Volt, 4-20mA, CAN(J1939) (Contact Parker for other options).
- Set up and Data logging support software included.



# icountPD

## Online Particle Detector

### Features & Benefits

**Diagnostic Self Check Start-up Time:**

Customer selectable 5-900 seconds

**Measurement Period:**

5 to 180 seconds

**Reporting interval through RS232:**

0 to 3600 seconds

**Digital -/LED display update time:**

Every second

**Limit Relay Output:**

Changes occur +/- 1 ISO code at set limit (Hysteresis ON) or customer set (Hysteresis OFF)

**Particle / % RH Output Signal:**

Continuous

**Principle of operation:**

Laser diode optical detection of actual particulates.

**Reporting Codes:**

ISO 7 – 21, NAS 0 – 12, (AS 00 – 12 Contact Parker)

icount will also report less than ISO 7, subject to the statistical uncertainty defined in ISO4406:1999, which is shown in the RS232, reporting results as appropriate e.g ">6"

**Calibration:**

By recognised on-line methods, confirmed by the relevant International Standard Organisation procedures.

**Calibration Recommendation:**

12 months

**Performance:**

+/- 1 ISO Code (Dependant on stability of flow)

**Reproducibility / Repeatability:**

Better than 1 ISO Code

**Power Requirement:**

Regulated 9 to 40Vdc

**Maximum Current Draw:**

150mA

**Hydraulic Connection:**

Mineral M16x2 test Points

Aggressive: 5/8" BSF test Points

Fuel: No test Points 1/8 BSP (Female) Ports (Plugged)

**Required Flow Range through the icountPD:**

40 to 140 ml/min (Optimum Flow = 60ml/min)

**Online Flow Range via System 20 Inline Sensors (Hydraulic systems only):**

Size 0 = 6 to 25 l/min - (Optimum Flow = 15 l/min)

Size 1 = 24 to 100 l/min - (Optimum Flow = 70 l/min)

Size 2 = 170 to 380 l/min - (Optimum Flow = 250 l/min)

**Required Differential Pressure across Inline Sensors:**

0.4 bar (Minimum)

**Viscosity Range:**

1-500 cSt

**Temperature:**

Operating Environment -20°C to +60°C (-4°F to +140°F)

Storage -40°C to +80°C (-40°F to +176°F)

Operating Fluid 0°C to +85°C (+32°F to +185°F)

**Working pressure:**

2 to 420 bar (30-6000 PSI)

**Moisture sensor calibration (Not offered with the fuel version):**

±5% RH (over compensated temperature range of +10°C to +80°C) (+50°F to +176°F)

**Operating humidity range:**

5% RH to 100% RH

**Moisture sensor stability:**

±0.2% RH typical at 50% RH in one year

**Certification:**

IP66 rated

EMC/RFI – EN61000-6-2:2001

EN61000-6-3:2001

**Materials:**

User friendly Abs construction.

Stainless Steel hydraulic block.

**Dimensions:**

182mm x 155mm x 86mm (7.2" x 6.1" x 3.4")

**Weight:**

1.3kg (2.9lb)

**Seals:**

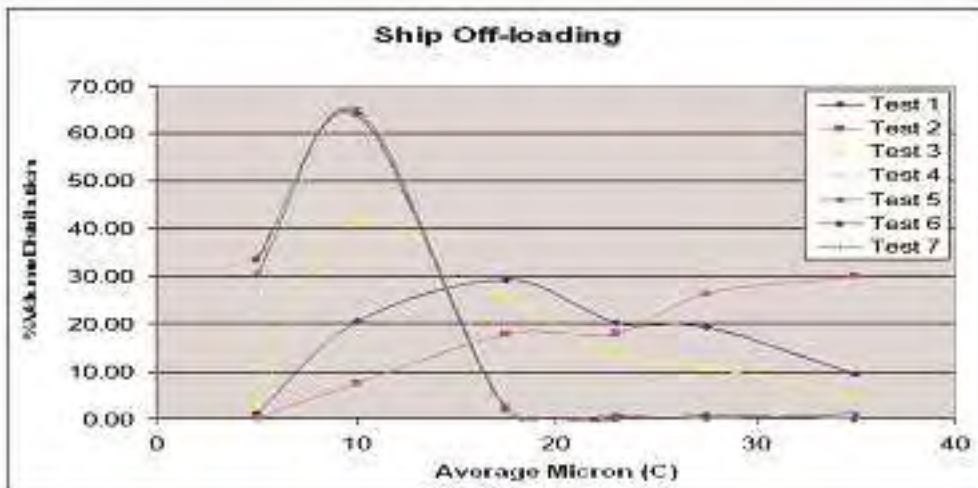
Mineral: Fluorocarbon. Aggressive: EPDM. Fuel: Fluorocarbon.

### icountPD for use with aviation fuels

#### Field Data - Major International Airport

First 3 measurements represent fuel from a previous cargo followed by a regular clean delivery, thus demonstrating the range of fuel cleanliness being experienced at this particular location.

	>4µ	>6µ	>14µ	>21µ	>4µ	>6µ	>14µ	>21µ
Test 1	81058.3	62126.1	17817.6	6066.2	Test 5	1226.1	261.5	2.4
Test 2	87834.5	74763.0	35454.1	18044.4	Test 6	1085.7	210.9	1.3
Test 3	51383.4	32796.9	4424.8	1213.4	Test 7	1037.9	198.7	1.3
Test 4	1593.3	422.7	9.6	1.7				

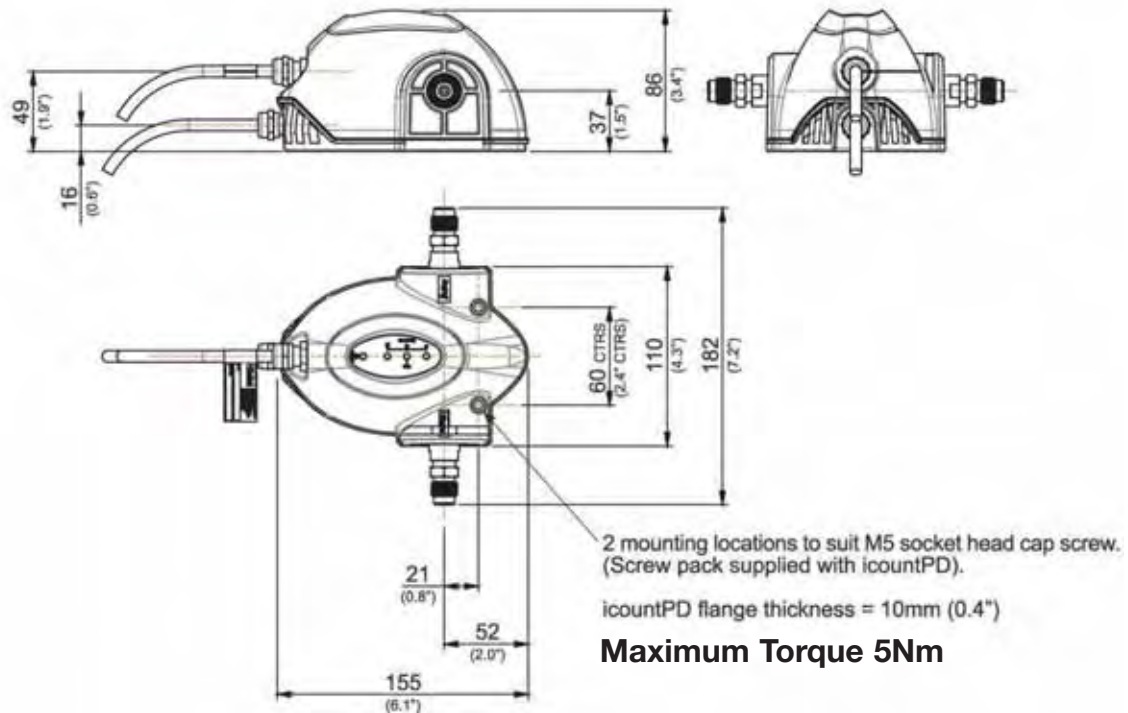


icountPD for use with aviation fuels



## Dimensions / Installation Details

mm  
(inches)



### Typical Applications

- **Mobile Equipment**

- Earth Moving Machinery
- Harvesting
- Forestry
- Agriculture

Monitoring of the hydraulics, enabling the vehicles to function to their best capability under load conditions through pistons, servo valves, control rams and gear pumps.

- **Industrial Equipment**

- Production Plants
- Fluid Transfers
- Pulp & Paper
- Refineries

To monitor the cleanliness of the equipment throughout the production line, from the machine tool controlled hydraulics through to contamination of fluid transfer. Ensuring the integrity of the fluid is maintained throughout the refining process.

- **Power Generation**

- Wind Turbines
- Gearboxes
- Lubrication Systems

With continuous monitoring the optimum level is achieved in the least amount of time.

- **Maintenance**

- Test Rigs
- Flushing Stands

To increase efficiency of your equipment by continuously monitoring the cleanliness level of the hydraulic fluid.

- **Fuel Contamination Detection**

- Fuel Storage Tanks
- Vehicle fuel tanks
- Uploading fuel into an aircraft

24/7 detection of particulate levels in most fuels including aviation fuel - Jet A-1 fuel specification.

# icountPD

## Online Particle Detector

### M12 Communication cable: wiring configuration

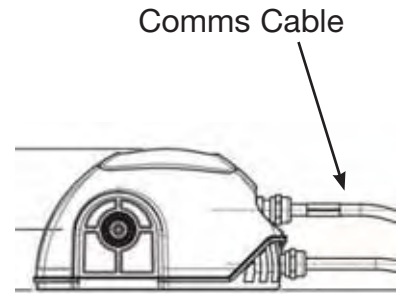
M12 Communication cable

Pin	4-20mA option connections	0-5v/0-3v option connections
1	NOT USED	NOT USED
2	RS232 Ground (Pin 5**)	RS232 Ground (Pin 5**)
3	Channel A, ISO 4µm(c)*	Channel A, ISO 4µm(c)*
4	Channel B, ISO 6µm (c)* or NAS (if selected)	Channel B, ISO 6µm (c)* or NAS (if selected)
5	RS232 Receive (Pin 3**)	RX232 Receive (Pin3**)
6	RS232 Transmit (Pin 2**)	RS232 Transmit (Pin 2**)
7	Moisture sensor channel (if fitted)	Moisture sensor channel (if fitted)
8	Channel C, ISO 14µm (c)*	Channel C, ISO 14µm (c)*

Important Note: It is the responsibility of the end user to ensure that the cable's braided screen is terminated to a suitable earth bonding point.

\* Optional – refer to the 'IcountPD part number specifier' section in this manual.

\*\* A standard USB serial adaptor can be used with the recommended 9-way D-type connector to convert RS232 to USB.



### Limit relay alarm levels

The IcountPD can be specified with a built-in limit switch relay which can be triggered when a preset alarm level is reached. The relay contacts can be used to switch on or off an external device.

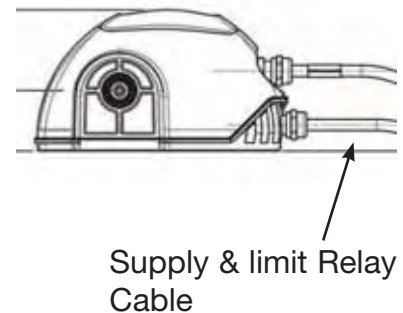
M12 Supply and Relay (if fitted) cable

Pin	Current loop options connections	0-5v/0-3v option connections
1	Product supply 9-40Vdc	Product supply 9-40Vdc
2	4-20mA Supply 12-20Vdc	0-5 / 0-3V Supply 12-24Vdc
3	Relay (Normally Closed)***(if fitted)	Relay (Normally Closed)***(if fitted)
4	Relay (Normally Open)***(if fitted)	Relay (Normally Open)***(if fitted)
5	NOT USED	NOT USED
6	NOT USED	0-5V / 0-3V Supply 0 Vdc
7	Main supply 0Vdc	Product supply 0Vdc
8	Relay (Common)***(if fitted)	Relay (Common)***(if fitted)

Note: If the moisture sensor is fitted without either option then the output is RS232.

Parker Hannifin recommend that the mating M12 connector cables are screened. These cables are available from Parker Hannifin – ordering information section.

\*\*\* Optional – refer to ordering information section.

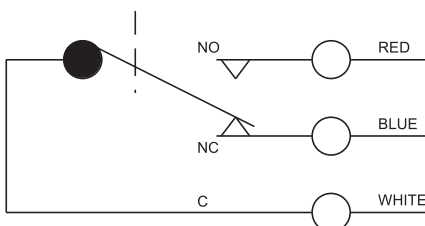


### (Limit Relay Wiring Instructions)

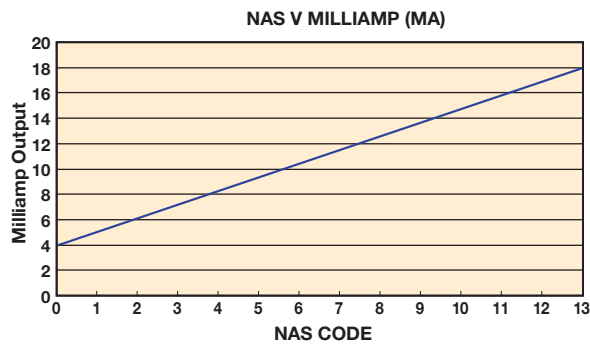
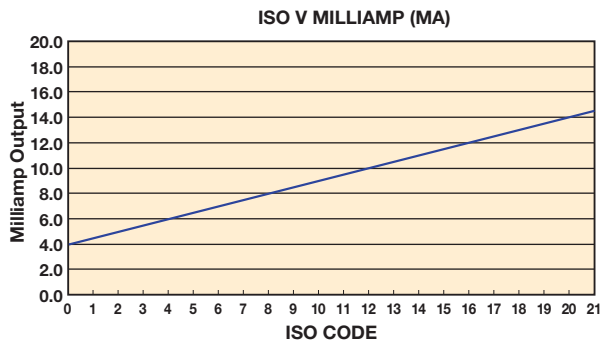
NORMALLY OPEN

NORMALLY CLOSED

COMMON



## Variable mA output settings



The following table can be used to equate the analogue output to an ISO or NAS Code.

Example ISO code 12 is equal to 10mA

mA	ISO	mA	NAS
4.0	0	4	00
4.5	1	5	0
5.0	2	6	1
5.5	3	7	2
6.0	4	8	3
6.5	5	9	4
7.0	6	10	5
7.5	7	11	6
8.0	8	12	7
8.5	9	13	8
9.0	10	14	9
9.5	11	15	10
10.0	12	16	11
10.5	13	17	12
11.0	14	18	**
11.5	15	19	**
12.0	16	20	ERROR
12.5	17		
13.0	18		
13.5	19		
14.0	20		
14.5	21		
15.0	**		
15.5	**		
16.0	**		
16.5	**		
17.0	**		
17.5	**		
18.0	**		
18.5	**		
19.0	OVERRANGE		
19.5	OVERRANGE		
20.0	ERROR		

The following table can be used to equate the analogue output to an ISO or NAS Code.

Example ISO code 12 is equal to 10mA

### 4-20mA output settings

#### ISO Setting

mA current = (ISO Code / 2) + 4 eg. 10mA = (ISO 12 / 2) + 4

or

ISO Code = (mA current - 4) \* 2 eg. ISO 12 = (10mA - 4) \* 2

#### NAS Setting

mA current = NAS Code + 5 eg. 15mA = NAS 10 + 5

or

NAS Code = mA current - 5 eg. NAS 10 = 15mA - 5

## Variable voltage output settings

The variable voltage output option has the capability of two different voltage ranges: a 0–5Vdc range as standard, and a user-selectable 0–3Vdc range. The 'Full list of commands' on how to change the voltage output, are available from Parker.

The following tables can be used to relate the analogue output to an ISO or NAS code.

For example, in a 0–5Vdc range, ISO code 16 is equal to an output of 3.5Vdc. In a 0–3Vdc range, ISO code 8 is equal to an output of 1.0Vdc.

Table relating ISO codes to Voltage output

ISO	Err	0	1	2	3	4	5	6	7	8	9	10	11
0–5Vdc	<0.2	0.3	0.5	0.7	0.9	1.1	1.3	1.5	1.7	1.9	2.1	2.3	2.5
0–3Vdc	<0.15	0.2	0.3	0.4	0.5	0.6	0.7	0.8	0.9	1.0	1.1	1.2	1.3

cont.

ISO	12	13	14	15	16	17	18	19	20	21	22	Err
0–5Vdc	2.7	2.9	3.1	3.3	3.5	3.7	3.9	4.1	4.3	4.5	4.7	>4.8
0–3Vdc	1.4	1.5	1.6	1.7	1.8	1.9	2.0	2.1	2.2	2.3	2.4	>2.45

Table relating NAS codes to Voltage output

ISO	Err	00	0	1	2	3	4	5	6	7	8	9	10	11	12	Err
0–5Vdc	<0.4	0.6	0.9	1.2	1.5	1.8	2.1	2.4	2.7	3.0	3.3	3.6	3.9	4.2	4.5	>4.6
0–3Vdc	<0.2	N.S.	0.3	0.5	0.7	0.9	1.1	1.3	1.5	1.7	1.9	2.1	2.3	2.5	2.7	>2.8

# icountPD

## Online Particle Detector

### Digital display parameters (ISO 4406/NAS 1638)

#### Start up

1. Once the icountPD has been connected to a regulated power supply, the product logo is displayed for approximately five seconds as the icountPD performs a self system diagnostic check.
2. The icountPD then automatically starts monitoring using factory default test parameters.



Notes: ISO 17/16/14 and MS = 43% RH if fitted

#### Digital display indication

The digital display will show the actual measured codes, the channel ( $\mu$ ) size and the user definable limits. Note that the channel size and limits will alternate between the two.

The Moisture Sensor reading (%RH) will also be shown – if the Moisture Sensor option is fitted.

The order of trigger for both the codes and Moisture Sensor option is:

- Solid digit(s) = code(s) that are at or below the set point (limit)
- Flashing digit(s) = code(s) that are above the set point (limit)

The display for ISO4406 and NAS1638 are identical.

#### Error detection:

In the unlikely event of a error occurring, the digital display on the icountPD will simply display the actual error code only – i.e. ERROR 13 (A full list of error codes are detailed in the IcountPD User Manual).

#### Moisture sensor output settings

The Moisture Sensor is an option that can be included when ordering the icountPD.

The Moisture Sensor reports on the saturation levels of the fluid passing through the icountPD sensing cell. The output is a linear scale, reporting within the range of 5% saturation to 100% saturation.

Table relating Saturation levels in the sensing cell to icountPD outputs

Saturation	4–20mA	0–3Vdc	0–5Vdc
5%	4.8	0.15	0.25
25%	8	0.75	1.25
50%	12	1.50	2.50
75%	16	2.25	3.75
100%	20	3.00	5.00

### Auxiliary Flow Device - P/N S840074

The pressure compensated, Flow control device (Part Number S840074) has been developed to give the icountPD user greater flexibility. The Flow control device will enable testing where flow ranges are outside the icountPD specifications (40 – 140 ml/min), or where pipe diameters do not allow the icountPD to be installed.

The Flow control device fits onto the downstream (outlet) side of the icountPD, connecting through a manifold block, via a self-sealing quick connection test point and is fitted with a differential pressure valve.

This Flow control device automatically compensates for pressure and viscosity changes, whilst maintaining its setting even as the workload changes.

Simply position the valve to match the viscosity of the oil you are testing.

The chart can be used to determine the valve position:

### Auxiliary Flow Device - P/N ACC6NN019

This simple to use flow control device fits onto the downstream (outlet) side of the icountPD and is fitted with a differential pressure valve that adjust the system flow to a range inside the icountPD specifications. Contact Parker for more details.



Note: use this chart to determine the valve position:

Valve Position	cSt Range
3	up to 100
3.8	90 - 200
4.2	190 - 320
5	310 - 500

Example:

If the fluid you wish to analyse has a viscosity of 50cSt under normal operating conditions then the control knob on the Flow Control Device should be set to valve position ‘3’

The flow device will now automatically control the flow rate through the icountPD to within its working range of 40-140ml/min.

Note: The Flow control device will still operate correctly even with the high pressure side at 200bar and the return back to an open system of 0 bar (DP = 200bar)



P/N ACC6NN019

### Icount PD – Oil Cleanliness Indicator (icount PD OCI)

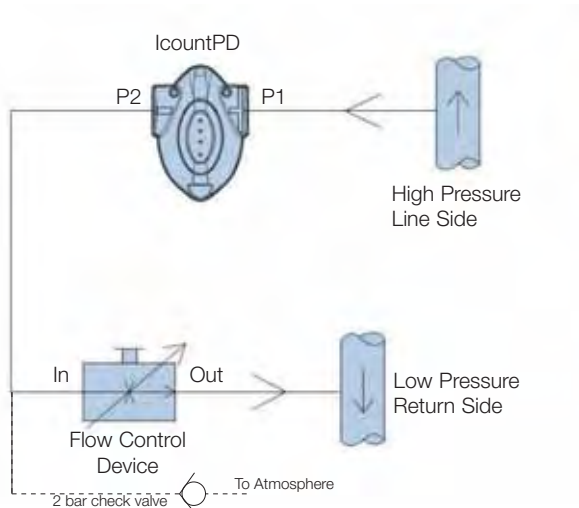
- New and under development in the detection of contaminates distribution in various Aviation fuels.
- Portable monitoring tool providing fluid qualification to ISO 4406:1999 standards.
- Supplements the icount ACM20 product portfolio.
- Quick, simple to use monitoring tool for sampling fluids from containers, fuel bunkers and holding tanks.
- Field solution to Laboratory methods for the detection of solid contamination and free water inference.



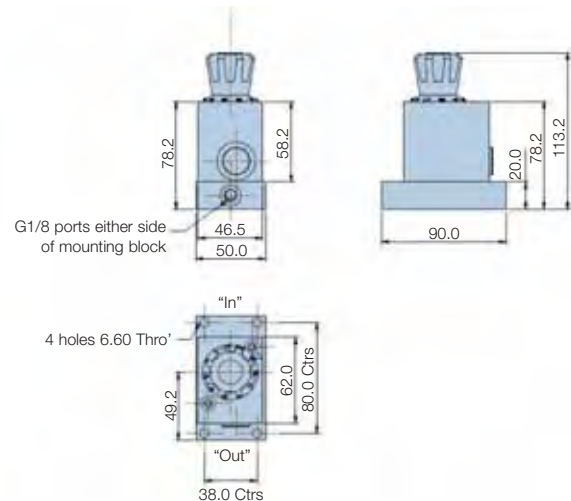
# icountPD

## Online Particle Detector

### Hydraulic Connection Diagram



### Dimensions



**Actuator**

**Mounting Type**

**Mounting position**

**Weight**

**Fluid Temperature**

**Ambient storage temperature**

**Viscosity range**

**Differential pressure range**

**Maximum pressure**

**Flow direction**

**Port thread detail**

**Internal Seals**

Manual flow rate adjustable via control knob

4 off mounting holes to suit M6 screws (not supplied)

Any

1.7kg (3.7lb)

5°C to +80°C (+41°F to 176°F)

-20°C to +40°C (-4°F to +104°F)

20cSt to 500cSt (If lower than 20cSt contact Parker)

5 to 315 bar

315 bar

'IN' to 'OUT' flow control function

1/8" BSP (test points not supplied)

Fluoroelastomer



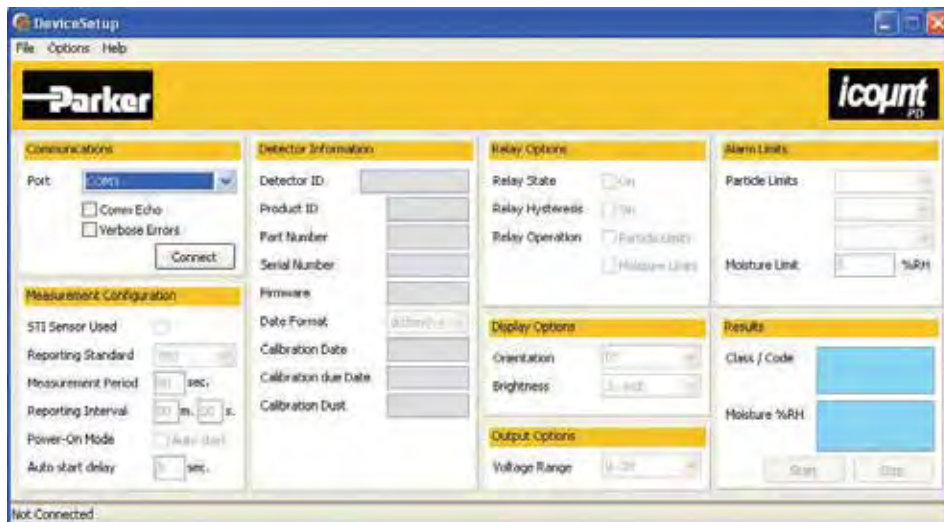
This application shows uploading fuel into an aircraft with the icountPD in use to monitor as a 'go/no go' device.



## Communication Options

The icountPD may be configured using the icountPD Setup Utility. For more direct control of the device using its communications protocol, you may also use the Microsoft Windows® HyperTerminal program, but note that this program is not currently supplied with the Windows Vista™ operating system. These two ways of communicating with icountPD are described in the following section.

## icontainsPD Setup Utility software (supplied)



## Communication Protocol

The Communication protocol for the serial communication link is to be used with **Microsoft Windows HyperTerminal**. The settings are as follows:

Baud rate	9600
Data bits	8
Parity	None
Stop bits	1
Flowcontrol	None

The commands used with this product are made up of Read, Set and Start / Stop commands.

- Set commands allow the value or values of parameters to be set
- Read commands allow the value or values or parameters to be read
- Start/Stop allows the user to start and stop tests.

Example:

[SDF dd/mm/yy] - sets the date format.

[RDF] - reads the product date format.

All commands are sent in ASCII characters, and the protocol accepts both upper and lower case characters as the examples below:

SDF

SdF

Note: A full list of commands are detailed in the user manual

# icountPD

## Online Particle Detector

### Ordering Information

Standard Products Table

Part number	Fluid type	Calibration	Display	Limit relay	Communications	Moisture sensor	Cable connector kit	Future option
IPD12212130	Mineral	MTD	LED	No	RS232 / 4-20mA	No	M12 - 8 pin	N/A
IPD12212230	Mineral	MTD	LED	No	RS232 / 4-20mA	Yes	M12 - 8 pin	N/A
IPD12222130	Mineral	MTD	LED	Yes	RS232 / 4-20mA	No	M12 - 8 pin	N/A
IPD12222230	Mineral	MTD	LED	Yes	RS232 / 4-20mA	Yes	M12 - 8 pin	N/A
IPD12312130	Mineral	MTD	Digital	No	RS232 / 4-20mA	No	M12 - 8 pin	N/A
IPD12312230	Mineral	MTD	Digital	No	RS232 / 4-20mA	Yes	M12 - 8 pin	N/A
IPD12322130	Mineral	MTD	Digital	Yes	RS232 / 4-20mA	No	M12 - 8 pin	N/A
IPD12322230	Mineral	MTD	Digital	Yes	RS232 / 4-20mA	Yes	M12 - 8 pin	N/A

### Product Configurator

Key	Fluid type	Calibration	Display	Limit relay	Communications	Moisture	Cable connector kit
IPD	1 Mineral	1 ACFTD	1 None	1 No	1 RS232	1 No	00 No
IPDZ	2 Phosphate ester	2 MTD	2 LED	2 Yes	2 RS232 / 4-20mA	2 Yes	10 Deutsch 12-pin DT Series connector
IPDR	3 Aviation fuel (4 channel)	3 AS4059	3 Digital		3 RS232 / 0-5V		30 M12, 8 pin plug connector
			4 GSM		4 RS232 / RS485		
					5 RS232/CAN-bus		

### Accessories

Part number		Description
Mineral fluids	Aggressive fluids	
ACC6NE003	ACC6NN002	1 metre hose length
ACC6NN003	ACC6NN004	2 metre hose length
ACC6NN005	ACC6NN006	5 metre hose length
ACC6NN007	ACC6NN008	1/4" BSP fitting
ACC6NN009	ACC6NN010	1/8" BSP fitting
ACC6NN011	ACC6NN012	1/8" BNPT fitting
SPS2021	SPS2061	Single point sampler
S840074	Contact Parker	Flow control device
ACC6NN019	Contact Parker	Flow control valve
ACC6NN013		12 volt regulated power supply
ACC6NN014	Contact Parker	2 x 5 metre M12 - 8 pin cable kit*
ACC6NN016		Deutsch Connector Kit
ACC6NN017		RS232 To USB cable kit
ACC6NN018		M12 - 8 pin to RS232 engineers tool

\* M12 Cable kit consists of two 5 metre cables to enable all output options (Communications cable and Relay/Power Supply cable)

\*\* Note that the aggressive fluid hoses are provided as a single hose, not in pairs.

Part number	Supersedes	Size	Flow range l/min	Fluid type	Port threads	Reverse Flow capability
STI0144100	STI.0144.100	0	6-25	Mineral	3/8	Yes
STI1144100	STI.1144.100	1	20-100	Mineral	3/4	Yes
STI2144100	STI.2144.100	2	80-380	Mineral	1 1/4	Yes
STI0148100	STI.0148.100	0	6-25	Aggressive	3/8	Yes
STI1148100	STI.1148.100	1	20-100	Aggressive	3/4	Yes
STI2148100	STI.2148.100	2	80-380	Aggressive	1 1/4	Yes
STS5117210	STS.5117.210	1	20-100	Mineral	3/4	No
STS5217210	STS.5217.210	2	80-380	Mineral	1 1/4	No



# Early Warning

icount Lubrication and Hydraulic Oil Monitoring system



## An all-in-one particle detection system

Developed around the proven Parker icountPD particle detector

Particle detection is the best known way to determine whether oil is contaminated or not and the best way to detect particles online or offline is by using Parker's icountPD. To make results even easier to obtain we added some extra equipment.



## Contact Information:

Parker Hannifin  
**Hydraulic Filter Division Europe**

**European Product Information Centre**  
Freephone: 00800 27 27 5374  
(from AT, BE, CH, CZ, DE, EE, ES, FI, FR, IE, IT, PT, SE, SK, UK)  
filtrationinfo@parker.com

www.parkerhfde.com

## Product Features:

Wind turbines

- Gear boxes
- Hydraulic systems in pitch, yaw and brake

Shipping and shipbuilding industry

- Propulsion systems
- Thrusters
- Deck machinery

Steel and pulp & paper industry

- Lubrication oil systems
- Hydraulic system control of presses and winders

Power generation

- Lubrication oil systems
- Hydraulic system control for fuel feeding

# Proactive maintenance with icount

With the icount System, the early bird stands every chance of catching the worm.

Be that early bird and schedule oil changes through predictive maintenance of the system and plan service times. Parker's icount system provides early warning of any unwanted changes in hydraulic or lubrication oil quality. Thus increasing the availability of the machinery by reducing the need for unnecessary downtime.

Insurance companies are able to lower fees as the icount System warns of possible component failure. It also reduces the warranty costs thanks to an integrated pump unit that enables a cost effective solution to monitor oil from different points of a system.

icount SYSTEM		
	Standard	Options
Electric motor	230VAC	110VAC, 24 VDC
Pump	X	
Flow control unit	X	
Pressure control valve		for pressurized systems
Particle detector	icountPD	
Local display	led	none, digital, GSM
Communications	RS232	RS232/4-20mA, RS232/0-5V, RS232/Canbus
Moisture sensor		X
Limit Relay		X
Cable connector kit	M12 - 8 pin	
Short start module		X
Mounting	bracket	sealed box

Parker's icount System housing can include several options to guarantee uniform sample handling and measuring any required aspect of oil quality.

## You can trust icount accuracy

Parker icount Lubrication and Hydraulic Oil Monitoring System is available today. It features Parker's laser technology and all necessary components for reliable monitoring up to 1000 cSt oil viscosities. The unit allows

system monitoring and accurate particle detection from any available source.

A moisture sensor as an option to measure the relative humidity of the oil and other add-on sensors like viscosity measurement are also available.

Several power versions for easy installation and worldwide operation are

available. The system is capable of data transmission in multiple forms and central control can collect information and manage easily for example large marine wind farms off shore and on land.

A special design for wind turbine applications with pressurized connection is available. Correct oil pressure and steady flow ensure consistent measuring.



icountPD

### For more information contact Parker.

The icountPD Particle Detector from Parker represents the most up to date laser based technology in particle detection. Standard in every icount Monitoring System.

# H<sub>2</sub>Oil - Water in Oil Monitor

Fluid Condition Monitoring



## Monitoring water contact during system operation

### Measure the level of water content polluting your oil

H<sub>2</sub>Oil is a two-channel, non-dispersive absorption spectrometer designed to measure the level of water content polluting your oil. Fully portable, H<sub>2</sub>Oil can operate without the need for mains power. A 90 second test time and 500 test memory together with data entry and on-board printer as standard makes H<sub>2</sub>Oil an outstanding performer in the field or factory environment.



## Contact Information:

Parker Hannifin  
**Hydraulic Filter Division Europe**

**European Product Information Centre**  
Freephone: 00800 27 27 5374  
(from AT, BE, CH, CZ, DE, EE, ES, FI, FR, IE, IT, PT, SE, SK, UK)  
filtrationinfo@parker.com

www.parkerhfde.com

## Product Features:

- H<sub>2</sub>Oil is a two-channel, non-dispersive absorption spectrometer, designed to measure the level of water content polluting oil.
- Fully portable unit without the need for mains power.
- 90 second test time and 500 test memory.
- Data entry and on-board thermal printer.

# H<sub>2</sub>Oil - Water in Oil Monitor

## Fluid Condition Monitoring

### Features & Benefits

- Water monitoring is now possible during system operation - H<sub>2</sub>Oil saves on production downtime.
- Fully portable, can be used easily in the field without the need for mains power, as well as in the laboratory.
- Connects into system at pressures up to 420 bar, via either system 20 sensor or single point sampler.
- 90 second test time.
- Scrolling memory for 500 tests plus memory for 20 different oil calibration curves.
- Routine water monitoring of oil systems with H<sub>2</sub>Oil saves time and money, promoting oil longevity.
- Samples that are tested are truly representative of water in the system. Analysis carried out before sample hydrodynamics change.
- Data entry facility enables user to store unique data test log details with every test carried out.
- Instant, accurate results are available on the display or the built-in thermal printer ensuring maintenance decisions can be taken immediately.
- Computer interface available for downloading data on to the computer through the RS232 serial port.
- Internal diagnostics features ensures H<sub>2</sub>Oil will work accurately and reliably.
- Supplied in a robust aluminium carrying case.
- Optional oil delivery unit for simple offline sampling.



Oil delivery unit  
P/N S840134

### Typical Applications

- Off-shore & power generation
- Marine
- Construction machinery
- Paper mills
- Hydraulic equipment & system manufacturers
- Research & testing institutes
- Military equipment application

The H<sub>2</sub>Oil is a two channel non-dispersive absorption spectrometer, designed to measure the level of water content polluting the oil, reducing system efficiency, promoting wear and affecting safety.

The H<sub>2</sub>Oil makes it possible for an end user or service engineer to carry out quick, accurate measurements, taken in the field instead of remote laboratory analysis.

With its secured hoses the H<sub>2</sub>Oil connects to an in-line System 20 sensor or single point sampler and features a re-chargeable 12Vdc power pack, diagnostic computer and on-board printer for effective logging and retrieval of data.



## Specification

### Construction:

Case-Noryl structural foam and ABS printer cover. Key pad silicone rubber.

### Mechanical composition:

Brass, plated steel, stainless steel.

### Seals:

Fluorocarbon.

### Hoses:

Nylon (Kevlar braided microbore).

### Hose length:

Fluid connection hose 1.2 metre (3.9 feet).

### Flow rate:

Up to 400 l/min (100 US GPM).

(System 20 Sensors). Higher flows with SPS.

### Max. working pressure:

Up to 420 Bar (6000 psi).

### Fluid compatibility:

Mineral oil and petroleum based fluids.

### Power:

Re-chargeable battery pack (12Vdc trickle charger supplied).

### Fuse:

5.0 amp fast blow fuse included for overload protection.

### H2Oil technology:

Infrared absorption spectroscopy

### Measurement and range:

PPM (0-3000) or % content.

### Max operating temperature:

+5°C to +80°C (+41°F to +176°C).

### Environmental temperature:

+5°C to +40°C (+41°F to +104°F).

### Test completion time:

90 seconds.

### Memory store:

500 TEST (scrolling memory) capacity.

### Printer facility:

Integral 16 column thermal printer for hard copy data.

Computer interface RS232.

### Repeatability/accuracy:

Better than 5% (typical).

### Viscosity range:

2-100 cSt (9-460 SSU). 500cSt with SPS.

### Commissioning kit:

Includes 2 re-chargeable battery packs (1 fitted to monitor), 2 x thermal printer rolls, spare fuse, screwdriver, 12Vdc trickle charger and user manual.

### Data entry:

24 character two line back lit dot matrix LCD. Full alpha numeric keypad.

### Data retrieval:

Memory access gives test search facility.

### Monitor carry case:

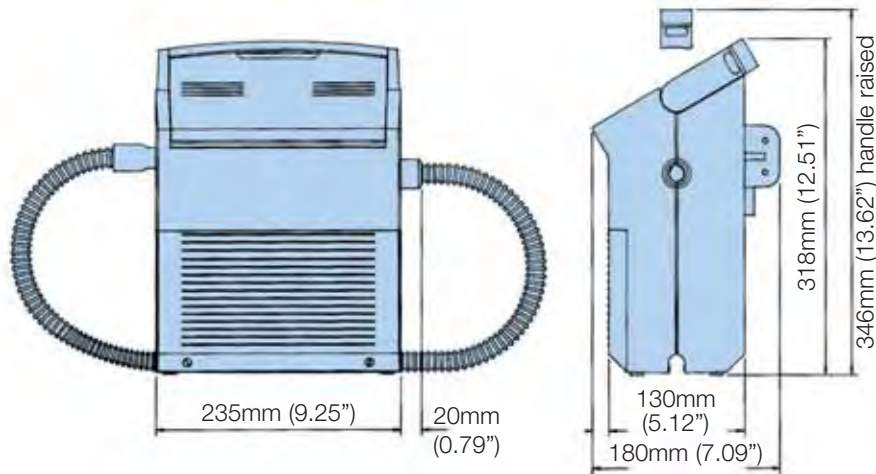
Robust aluminium transportation case.

### Data Download:

Condition monitoring data software pack plus cable included in commissioning kit.

### Performance recheck:

Annual recheck of performance by an approved Parker Service Centre.



**FACT: The H<sub>2</sub>Oil can be considered the best alternative solution re-agent chemical Karl Fischer analysis test methods, which is being considered to phase out under strict European legislation regarding the use of carcinogenic fluids, a fundamental part of all Karl Fischer test procedures**

# H<sub>2</sub>Oil - Water in Oil Monitor

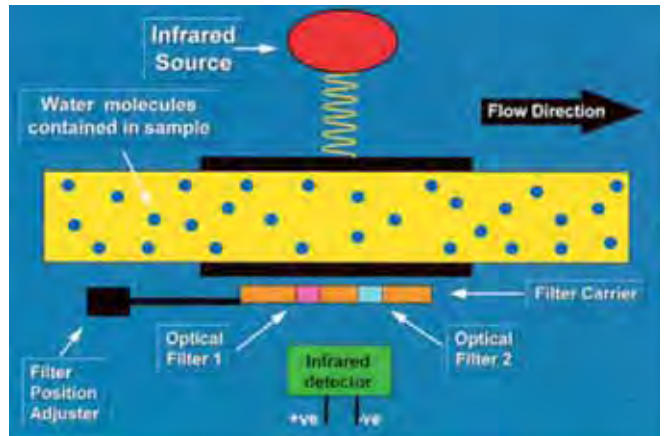
## Fluid Condition Monitoring

### How the H<sub>2</sub>Oil Works

On-line testing allows a mixed and flowing sample of oil and water to pass through the infrared measuring cell. A series of measurements can be taken and the average given as a result. With this method a representative oil sample is seen, unlike the usual reservoir samples sent for analysis. Also, by taking the test at working temperature and pressure, a true water content is taken, as both affect the way water is absorbed in oil.

The flowing sample passes through a special “water free” optical cell.

The infrared detector monitors two narrow band pass filters, one of which matches the spectral width of the water attenuation band. The second narrow wave band selected is unaffected by water and serves as a reference. By taking the transmission ratio between the two points an effective measurement of water can be made.



### Core Technology

H<sub>2</sub>Oil uses true infrared (IR) analysis technique - the principle used in all laboratory spectrometers, to measure absorbed water (before saturation point).

Channel one (2.6µ) is the reference point, whereas channel two (3µ) is H<sub>2</sub>O.

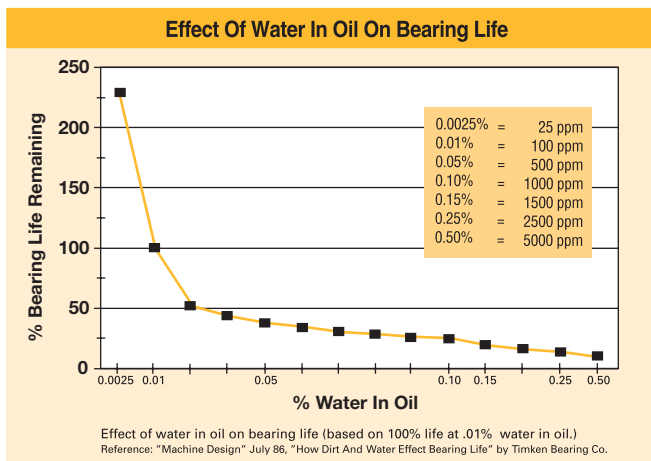
The IR source is a tungsten halogen bulb.

### Effective Oil Maintenance

Take a typical application where water can have a very detrimental effect on bearings. Cracks are generated early in life of a bearing and water, once condensed in the crack, leads to corrosion and early damage.

Loss of bearing life, due to water contamination, (see below) can be prevented by stopping the water from entering the system in the first place. Introducing a regular water content monitoring function into the programme, such as the H<sub>2</sub>Oil, would support such efforts.

Whatever the application, whether it be offshore in the oil industry or off-road in the construction or earth moving industry, the portability of the H<sub>2</sub>Oil makes it an essential kit for the service van or engineers tool.



### Ordering Information

#### Standard products table

Part number	Supersedes	Description
<b>WOM9100EUR</b>	N/A	Water in Oil Monitor with European Power Supply
<b>WOM9100UK</b>	N/A	Water in Oil Monitor with UK Power Supply
<b>WOM9100US</b>	N/A	Water in Oil Monitor with US Power Supply
<b>ACC6NC003</b>	B91701	Thermal printer roll (x5)
<b>ACC6ND003</b>	B91706	Download cable and adaptor
<b>ACC6NC000</b>	N/A	H <sub>2</sub> Oil Trickle power supply (UK)
<b>ACC6NC001</b>	N/A	H <sub>2</sub> Oil Trickle power supply (EURO)
<b>ACC6NC002</b>	N/A	H <sub>2</sub> Oil Trickle power supply (US)

Note 1: Part numbers featured with bold highlighted codes will ensure a 'standard' product selection.  
Note 2: Alternate displayed part number selection will require you to contact Parker Filtration for availability.





# icountMS Range

Fluid Condition Monitoring – Moisture Sensors



An essential component of any predictive maintenance programme

Fast, reliable and accurate inline detection of moisture in fluids

MS moisture sensors provide fast, reliable and accurate inline detection of moisture in fluids. Technology developed for preventative maintenance programmes. MS150 is the 'low pressure' option for suction line/reservoir applications. MS200 is the 'Programmable' sensor monitoring and reporting relative humidity (RH), moisture content in oils. MS300 'Intrinsically safe' sensor ATEX certified for use in hazardous Zone 0 environments.

## Contact Information:

Parker Hannifin  
Hydraulic Filter Division Europe

European Product  
Information Centre  
Freephone: 00800 27 27 5374  
(from AT, BE, CH, CZ, DE, EE, ES,  
FI, FR, IE, IT, PT, SE, SK, UK)  
filtrationinfo@parker.com

www.parkerhfde.com



## Product Features:

- MS moisture sensors provide fast, reliable and accurate inline detection of moisture in fluids.
- Technology developed for preventative maintenance programmes.
- MS150 'low pressure' suction/Return line applications. 10 bar maximum operating pressure.
- MS200 'Programmable' sensor monitoring and reporting relative humidity (RH), moisture content in oils. 420 bar MAOP.
- MS300 'Intrinsically safe' sensor ATEX certificated for use in hazardous Zone 0 environments. 420 bar MAOP.
- Temperature Outputs on all versions.

# icountMS Range

## Cost Effective Moisture Detection

### Features & Benefits

- Continuous, online moisture indication, for hydraulic and lubricating systems.
- Reporting of % relative humidity of water content, giving the user information on how close to the fluids real saturation point.
- Reliable data on the rate of water absorption.
- Sensing cell technology using a laser trimmed thermoset polymer, for capacitive sensing that is capable of absorbing water molecules due to its micro porous structure.
- Uses a thermistor for temperature compensation correction. Offering total confidence in reporting the %RH relative humidity over the sensors temperature range.
- A purpose designed tee adaptor allows for easy installation into an existing fluid system.
- The MS200 can also be specified with a bench top wand offering the end user greater flexibility.
- Not available on MS150

### Typical Applications

- Ground support vehicles
- Pulp and paper plants
- Marine hydraulics
- Power transmission & distribution
- Forestry
- Industrial hydraulics
- Earth moving applications
- Agricultural
- Hazardous Areas (Zone 2)
- Theme parks (Ride hydraulics)



### In-Line Moisture Measurement of Hydraulic & Lubricating Oils.

Parkers Moisture Sensor Range offers fast, reliable and accurate in-line detection of moisture in fluids. The MS transducer type technology has been especially designed with the preventative maintenance programme environment in mind.

The industry accepted sensing cell device will monitor and report Relative Humidity (RH), moisture content in oils. The water content measurement technique offers the end user benefits over the current standard form of water content reporting (PPM).

This allows for real time preventative maintenance to be undertaken and corrective actions to be made. By knowing that the water contamination is still within the oils absorbing range, less than 100%, reclaiming fluid properties before additive damage occurs can initiate calculable cost savings.



# MS150 Moisture Sensor

## Specification

### Pressure:

Maximum allowable operating pressure. (MAOP): 10 bar (145 PSI).

### Operating temperature:

Minimum: -20°C (-4°F).  
Maximum: +85°C (+185°F).

### Flow through sensor cell:

Installed in active flowstream.

### Fluid compatibility:

Mineral oils, petroleum-based and Phosphate ester.

### Viscosity range:

Unlimited.

### Port connections:

1/4" BSPT or 1/4" NPT.

### Supply voltage:

+8 to +30 Vdc.

### Sensor size/weight/material:

80mm x 43mm/0.1kg/Aluminium

### IP ratings:

IP68

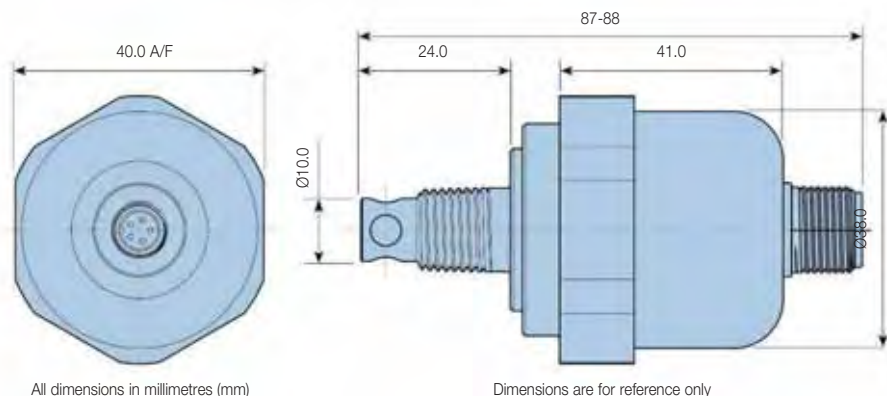
### %RH Outputs:

(+1 to +5 Vdc) or (4 to 20mA)

### Temperature Outputs:

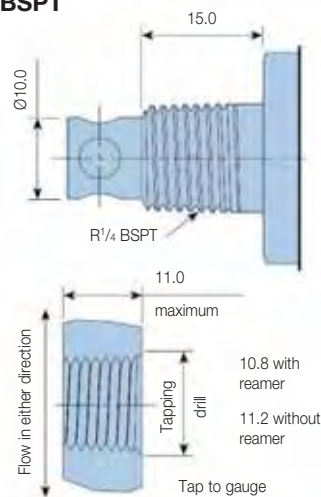
0 to +5 Vdc

## Installation Details



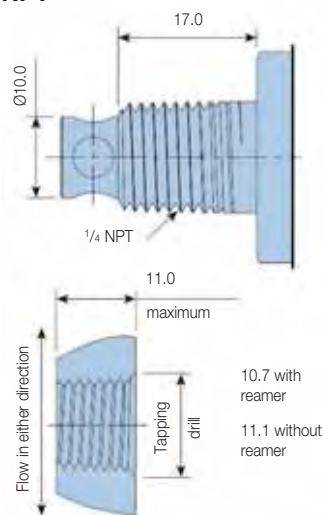
## Thread Form Options

### BSPT



Installation details for R1/4 BSPT taper

### NPT



Installation details for 1/4 NPT

## Sensor Outputs

MS150 moisture sensor pin designations

Pin	Designation	I/O	Description
1	Supply	Input	Supply voltage (+8 to +30Vdc)
2	%RH	Output	% Saturation out (+1 to +5Vdc)
3	%RH	Output	% Saturation out (+4 to +20mA)
4	Temperature	Output	Temperature out (0 to +5Vdc)
5	Common	Input	Common (0Vdc) ground from power supply (not chassis ground)

## Interpreting the data

Oil type: Texaco Rando 46.

Saturation point: 400ppm @ 65°C (150°F).

At the above operating condition, the meter displays 100% saturation. As the meters scale indicates a reduction in the saturation percentage, there is also a corresponding reduction in PPM at a constant temperature. In the example above, a meter reading of 50% saturation could be interpreted as 200ppm at 65°C (150°F).

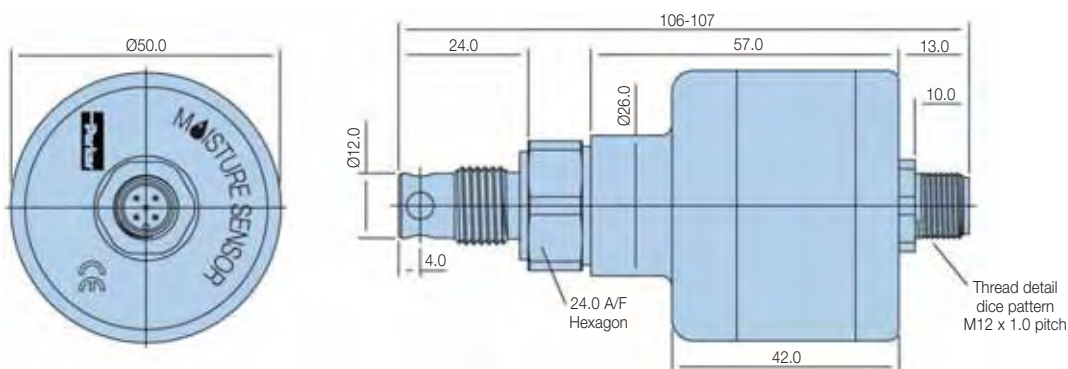


# MS200 'Programmable'

## Specification

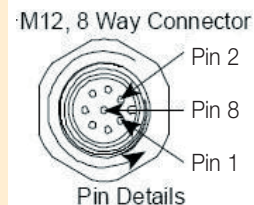
% Saturation Calibration Accuracy:	+3% RH
Temperature Calibration Accuracy:	±1°C
Thermal Stability:	±1% RH (over compensated temperature range +10 to +80°C)
Stability:	±0.2% RH typical at 50% RH in 1 year
Linearity:	±0.5% RH typical
Analogue Output Hysteresis:	±0.5% RH Full Scale
Switched Output Hysteresis:	2% RH
Operating Temperature Range:	-40°C to +85°C (-40 to +185°F)
Operating Humidity Range:	5 to 100% RH (non condensing)
Response Time:	60 sec in slow moving air at 25°C
Maximum rated pressure:	420 Bar (6000 PSI)
Maximum torque on spanner flats:	30 Nm (ONLY USE SPANNER FLATS TO INSTALL AND REMOVE THE MOISTURE SENSOR)
Seal Material (depending on MS):	Fluorocarbon, EPDM, Perfluoroelastomer
Material:	Stainless Steel 303
Connector Details:	M12x1, 8 Way, IP67 Connector (IP68 when mated with moulded cable)
Maximum Cable Length:	10 Metres with Voltage Output 100 Metres with Current Output
Output:	SEE ORDERING INFORMATION

## Installation Details



## Moisture Sensor Wiring and Pin Designations

Pin	Wire Colour	Designation	I/O	Description
1	Brown	Analogue	Output	Temperature - Degí Celsius. User Select Output (0-3Vdc, 0-5Vdc, 1-6Vdc and 4-20mA).
2	Green	Alarm Limit	Output	Alarm Limit. Output that directly corresponds to the alarm set point.
3	Yellow	Analogue	Output	% Saturation. User Select Output (0-3Vdc, 0-5Vdc, 1-6Vdc and 4-20mA).
4	Grey	Receive	Input	RS232 Communication.
5	Pink	Send	Output	RS232 Communication.
6	Blue	Common	Input	Common (0Vdc). Ground from power supply.
7	White	Alarm Switch	Output	Alarm Switch. Constant 5Vdc when in normal operation. Switch to 0Vdc when in alarm condition. Red LED illuminates when Sensor is in an alarm condition.
8	Red	Supply	Input	Supply Voltage (+8 to +30Vdc). Green LED illuminates when power is properly applied.



# MS300 Intrinsically Safe

## Specification

### Pressure:

Maximum allowable operating pressure.  
(MAOP): 420 bar (6000 PSI).

### Operating temperature:

Minimum: -40°C (-40°F) - dependent on seal material.  
Maximum: +85°C (+185°F).

### Flow through sensor cell:

Installed in active flowstream.

### Fluid compatibility:

Mineral oils, petroleum-based and Phosphate ester-Skydrol option available.

### Viscosity range:

Unlimited.

### Thread form connections:

See ordering information.

### Outputs:

4-20mA (current loop).

### Calibration accuracy:

+/- 5% RH

### Compensated thermal stability:

+/- 1% RH (+ 10°C to +80°C)

### Materials:

Stainless steel 303.

### Sensor size/weight:

107mm x ø50mm/0.3Kg.

### IP ratings:

IP68 (with specified moulded cable)

Developed in association with Triteq Ltd.

## Installation Details - See MS200



### Moisture Sensor Connection Diagram



The MS300 has been certified as Intrinsically Safe Electrical Apparatus and offers fast, reliable and accurate in-line detection of moisture in fluids for use in hazardous areas.

ATEX Certification allows the MS300 into areas of a potentially explosive atmosphere, that have previously not been allowed without permits, it is intended for use in Zone 0 hazardous areas requiring the use of category 1G equipment and has been designed for use with galvanic isolators to the specified values stated below:

The electrical parameters:  $U_i$ : 28V  $I_i$ : 93mA  $P_i$ :0.65W  $C_i$ : 380nF  $L_i$ : 0

The following instructions apply to MS300 - 4-20mA Current Loop Moisture Sensor covered by certificate number Sira 07ATEX2255:

1. The equipment may be located where flammable gases of Group I may be present. The equipment is only certified for use in ambient temperatures in the range -20°C to +40°C and should not be used outside this range.
2. The equipment has not been assessed as a safety-related device (as referred to by Directive 94/9/EC Annex II, clause 1.5).
3. Installation of this equipment shall be carried out by suitably trained personnel in accordance with the applicable code of practice.
4. Repair of this equipment shall be carried out by the manufacturer or in accordance with the applicable code of practice (IEC 60079-19).

## Visual Indicators Specifications

### Bar Graph Indicator (PBG8341A)

**Construction:**

Housing – nylon 6/6, window – acrylic,  
bezel/board supports – ABS,  
pins – phosphor bronze.

**Power supply:**

11 – 30 Vdc.

**Signal input: (By dipswitch configuration)**

Off – differential up to 5V.  
A – single signal (Ref. 0V) up to 5V.  
B – single signal (Ref. 1V) up to 6V.

**Cut out size:**

45.6mm x 45.6mm.

**Fixing:**

Push fit panel thickness 0.9mm to 3.2mm.

**Sealing:**

Designed to IP50 standard.  
(Front face may be silicon sealed after LED configuration).

**Scale:**

Supplied 0 to 100% in horizontal.  
Other scales, in volume, consult Parker Hannifin.

**Scaling factors:**

10% to 100% range. Fully adjustable.

**Lamp intensity:**

4mcd each.

**Front viewing:**

Polarised.

**Weight:**

29gms.

### Alternative Indicator

Description	DDU1001	DDU1002
Power supply	11 - 30 Vdc	110 - 240 Vdc
Accuracy	± 0.1% typical	± 0.1% typical
Sample rate	2.5 per second	2.5 per second
Operating temp (°C)	0 - 50	0 - 50
Storage temp (°C)	-10 to +70	-10 to +70
Display	3.5 digit LED	3½ digit LED
Power output (Vdc)	24	24
Weight (kg)	0.30	0.30
Panel cutout (mm)	93x45 ± 0.5	93x45 ±/0.5
Dimensions (mm)	48x96x93	48x96x93



PBG8341A



DDU1001/DDU1002

### Product accessories part numbers

Product Number	Supersedes	Description
DDU1001	P.9732PVC-10	Digital display unit 22-55 Vdc
DDU1002	P.9732PVC-05	Digital display unit 110-240 Vdc
PBG8341A	PBG.8341.1A	Bar Graph Indicator (+11 to +30 Vdc)
PAM8342	PAM.8342	Bar Graph alarm module
ACC6NF000	B97200	5 meter M12, 8 pin moulded cable (IP68)
ACC6NF001	P973200	M12, 5 pin rewirable connector (IP65)
ACC6NF002	S970410	10 meter extension box
ACC6NE008	S970400	UK 12 volt power supply
ACC6NE009	S970400	European 12 volt power supply
ACC6NE010	S970400	US 12 volt power supply
ACC6NF003	N/A	5 metre M12, 5 pin moulded cable (IP68)

## Moisture sensor output setting

The Moisture sensor reports on the saturation levels of the fluid passing through the sensing cell. The output is a linear scale, reporting within the range of 5% saturation to 100% saturation.

Saturation	4-20mA	0-3Vdc	0-5Vdc
5%	4.8	0.15	0.25
25%	8	0.75	1.25
50%	12	1.50	2.50
75%	16	2.25	3.75
100%	20	3.00	5.00

## Ordering Information

MS150 Standard Product Table

Product Number	Supersedes	Fluid type	Thread Forms	Connector
MS1503	MS150-3	Mineral + Aggressive	G 1/4" BSPT Taper	M12 5 WAY
MS1504	MS150-4	Mineral + Aggressive	1/4" NPT Taper	M12 5 WAY

MS200 - Product Configurator

Key	Model	Fluid type	Output Options	Thread Forms	Connector	Future option						
MS	2	Programmable	2	Mineral	01	0 - 3 Vdc	1	G 1/4" BSP Bonded Seal	1	M12 8 WAY	0	No
			6	Aggressive	02	0 - 5 Vdc	2	G 1/4" BSP Integral Seal				
			03	1 - 6 Vdc	3	R 1/4" Taper						
			04	4 - 20 mA	4	1/4" NPT Taper						
			5	9/16 - 18 UNF 2A Integral Seal								
			6	Hand Held Unit								
			7	G 3/8" BSP Female Swivel Equal T adaptor								

MS200 - Standard Product Table

Key	Model	Fluid type	Output Options	Thread Forms	Connector	Future option
MS	2	2	02	1	1	0
MS	2	2	02	2	1	0
MS	2	2	02	3	1	0
MS	2	2	02	4	1	0
MS	2	2	02	5	1	0
MS	2	2	04	1	1	0
MS	2	2	04	2	1	0
MS	2	2	04	3	1	0
MS	2	2	04	4	1	0
MS	2	2	04	5	1	0

MS300 - Product Configurator

Key	Model	Fluid type	Output	Thread form	Connector	Future option						
MS	3	Programmable	2	Mineral	04	4 - 20 mA	1	G 1/4" BSP Bonded Seal	1	5 WAY	0	None
			6	Aggressive	2	G 1/4" BSP Integral Seal						
			3	R 1/4" Taper Thread								
			4	1/4" NPT Taper Thread								
			5	9/16 - 18 UNF 2A Integral Seal								
			6	G 3/8" BSP Female Swivel Equal Tee								

MS300 - Standard Product Table

Key	Model	Fluid type	Output	Thread Forms	Connector	Future option
MS	3	2	04	1	1	1
MS	3	2	04	2	1	1
MS	3	2	04	3	1	1
MS	3	2	04	4	1	1
MS	3	2	04	5	1	1

# Oilcheck

Hand-held Oil Condition Monitor



## Portable and battery powered for 'go-anywhere' monitoring

**Hand-held condition monitor provides a visual comparison between new and used oils**

Parker's Oilcheck is completely portable and battery powered with a numerical display that indicates positive or negative increase in dielectrics. Oilcheck gives an early warning of impending engine failure and the simplistic hand-held design makes it easy to use.



## Contact Information:

Parker Hannifin  
**Hydraulic Filter Division Europe**

**European Product Information Centre**  
Freephone: 00800 27 27 5374  
(from AT, BE, CH, CZ, DE, EE, ES, FI, FR, IE, IT, PT, SE, SK, UK)  
filtrationinfo@parker.com

www.parkerhfde.com

## Product Features:

- Oilcheck hand-held condition monitor provides a visual comparison between new and used oils.
- Completely portable and battery powered.
- Numerical display shows positive or negative increase in dielectrics.
- Gives early warning of impending engine failure.



# Oilcheck

## Hand-held Oil Condition Monitor

### Features & Benefits

- A comparator between new and used oils.
- Oilcheck gives early warning of impending engine failure.
- Cost effective solution to save money and help increase engine life.
- Completely portable, battery powered.
- Ideal for fleet owners, garages and DIY mechanics.
- Numerical display to show positive or negative increase in dielectrics.

### Typical Applications

- Fleet owners
- Construction equipment maintenance
- Vehicle service garages
- Plant hire maintenance

The Oilcheck from Parker Filtration's Condition Monitoring Centre detects and measures the dielectric constant of oil, by comparing the measurements obtained from used and unused oils of the same brand.

Used as a regular service monitoring instrument, the Oilcheck will give the engineer warning of an impending engine failure and promote increased engine life. Oilcheck is the low-cost solution that will take the guesswork out of oil changes, saving money and time.

### Using Oilcheck

Following the simple sampling procedure, Parker's Oilcheck will ensure effective and highly repeatable results. Once a clean oil sample has been placed in the 'Sensor Well' and the 'TEST' button has been pressed, the instrument will 'zero' on the sample.

Once cleaned out with a degreaser and replaced by a contaminated sample, a new reading is obtained on the LCD, which can be easily compared against the green/amber/red efficiency scale.



## Specification

**Case construction:**  
ABS.

**Circuitry:**  
Microprocessor control.

**Battery:**  
1 x 9V alkaline (supplied).

**Display:**  
LCD.

**Suitable oil types:**  
Mineral and synthetic based oils.

**Repeatability:**  
Better than 5%.

**Readout:**  
Green/amber/red grading, Numerical value (0-100%).

**Battery lifetime:**  
>150 hours or 3,000 tests.

**Dimensions:**  
250mm x 95mm x 34mm (9.8" x 3.7" x 1.3").

**Weight:**  
0.4kg.

## Using Oilcheck



Green/amber/red  
numerical value

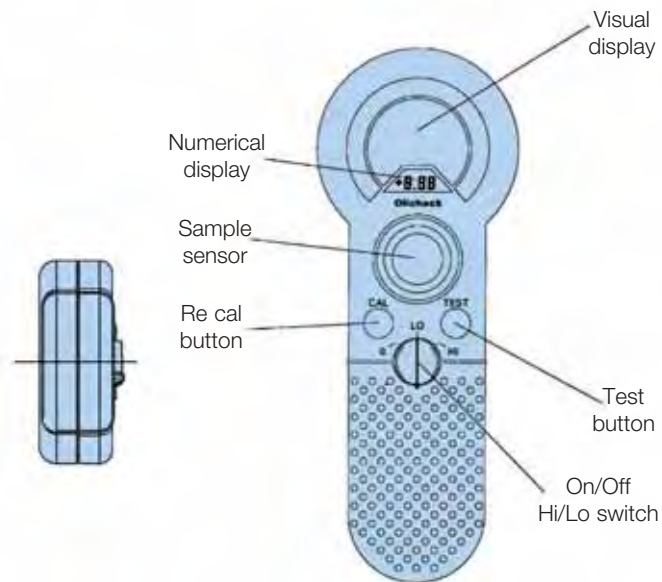
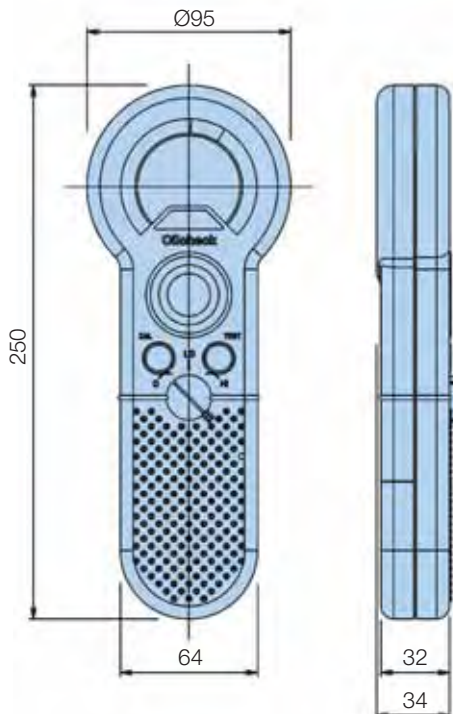
The Oilcheck can remove the need for costly and time consuming laboratory analysis of mineral and synthetic oils used in engines, gearboxes and bearing lubrication systems. It detects mechanical wear and any loss of lubricating properties in the oil with a repeat accuracy of less than 5%.

The Oilcheck is able to show changes in the oil condition brought about by the ingress of water content, fuel contamination, metallic content and oxidation.



Function  
buttons

## Installation Details



## Ordering Information

### Standard products table

Product number	Description
<b>OLK605</b>	Oilcheck kit with numerical readout
<b>OLK611</b>	Oilcheck cleaner

Note 1: Part numbers featured with bold highlighted codes will ensure a 'standard' product selection.

Note 2: Alternate displayed part number selection will require you to contact Parker Filtration for availability.



# icountACM20 Lab Unit

## Aviation Fuel Contamination Monitoring

Note: For information on icountPD for aviation fuels see page 369



## A unique product with pedigree

### DEFSTAN 91-91 Issue 6 Jet A-1 Fuel Specification, adopts particle counting.

Development work carried out by the CMC engineers, in conjunction with Exxon Mobil Aviation, highlighted the need for an alternative test method to determine the levels of dispersed contamination in Jet fuel. 5 years of field testing and development of the already established and successful icountLCM20 Hydraulic Laser Particle Counter saw the introduction of the Parker icountACM20 with enhanced software providing the user with a better understanding of the contamination present in a sample. As the benchmark particle counter for use in measuring the levels of contamination in fuels, the icountACM20, as per the UK's Energy Institute Test Method IP564, has now been included in the DEFSTAN 91-91 Issue 6 Jet Fuel Specification as a report only test alongside the current Gravimetric test method (IP423 or ASTM D5452) and Clear & Bright Visual test method (IP216 or ASTM D2276)



## Contact Information: Product Features:

Parker Hannifin  
**Hydraulic Filter Division Europe**

**European Product Information Centre**  
**Freephone: 00800 27 27 5374**  
**(from AT, BE, CH, CZ, DE, EE, ES, FI, FR, IE, IT, PT, SE, SK, UK)**  
**filtrationinfo@parker.com**

[www.parkerhfde.com](http://www.parkerhfde.com)

- icountACM20 monitors aviation fuel contamination to DEFSTAN 91-91 Issue 6 Jet A-1 fuel specification.
- Energy Institute Test Method IP 564.
- 2-minute test procedure.
- Fully manufactured by Parker with 20 years experience in the Particle Counter Measuring market.
- Laser optical scanning analysis.
- Multi-standard ISO cleanliness reporting.
- On-board, rear-mounted pump enables monitoring possibilities. For example: Fuel storage/ vehicle tanks and fuel storage drums.
- Latest averaging software as standard.
- Downloader software.

# icountACM20 Lab Unit

## Aviation Fuel Contamination Monitoring



### Features & Benefits

**Test Time:**

2 minutes

**Repeat Test Time:**

Every 2 minutes (Manual testing), every 6 minutes (automatic)

**Principle of Operation:**

Optical scanning analysis and measurement of actual particles and inference to water presence

**Primary Output:**

$\geq 4\mu(c)$ ,  $\geq 6\mu(c)$ ,  $\geq 14\mu(c)$ ,  $\geq 21\mu(c)$ ,  $\geq 25\mu(c)$ ,  $\geq 30\mu(c)$  counts per ml

**Secondary Diagnostic Output:**

% Volume Distribution, via graphical display on handset and printout

**International codes:**

ISO 7-22 in accordance with ISO 4406-1999

**Data entry:**

32 character two line dot matrix LCD. Full alpha numeric entry facility on keypad

**Data retrieval:**

Memory access gives test search facility for up to 300 saved tests

**Calibration:**

In accordance with Parker Calibration Procedure CM20-N, which complies to ISO11171:1999, Clause 6 (Omitting Annex F)

**Re-calibration:**

Every 12 months by a dedicated Parker Service Centre (Consult Parker) as required under strict EI methods

**Max. working pressure:**

420 bar

**Operating Temperature:**

+5°C to +80°C

**Memory store:**

300 test capacity

**Computer compatibility:**

Interface via RS 232 connection @ 9600 baud rate (USB serial cable to RS232 option available)

**Laboratory sampling:**

Utilizes on-board rear mounted pump

**Portability:**

Only 8 kg. icount ACM20 has its own battery pack and carry case with wheels 13kg total weight

**Power requirement:**

12vDC input, 6 x 'D' Cell batteries or rechargeable battery pack

**Printer facility:**

Integral 16 column printer for hard copy data

**Certification:**

Complies with all relevant EC declarations of conformity

**icount ACM20 Case Mounted Pump**

- Integrated Pump assembly incorporated onto the ACM20 unit.
- Powered directly from ACM20 unit, LED power indication with no additional power supplies required.
- Direct sampling from fuel sample bottles or tank via 3 metre inlet suction tube.
- Incorporated double speed flush and test sequence.
- Managed flow rate/correct volume sample as per IP 564 test method.

**FACT: icountACM20 is fully compliant with the EI (Energy Institute) test method**

### Applications

The Parker icountACM20 Portable Particle Counter has been developed from existing technology for monitoring contamination in AvTur and other hydrocarbon fuels, in accordance with the Energy Institute (EI) Method IP 564.

In addition, the ACM can also be used to monitor various fuels from existing sampling points in locations from refineries, pipelines, distribution terminals, airport fuel supply systems all the way through to the point of uplift into aircraft\*.

\* Hot works permit required for online sampling (ATEX Zone 2 unit available). Page 14.

- **Fuel Testing Laboratories – DEFSTAN 91-91 Issue 6**

In order to better understand dispersed contamination in jet fuel, particle counting is now included alongside existing laboratory techniques

- **Bottle Sampling - Energy Institute (EI) - IP 564**

Laboratory determination of the level of dispersed contamination in aviation kerosine using an Automatic Particle Counter (APC)

- **Replace Clear & Bright and Gravimetric**

With the introduction of the icount ACM20, all subjectivity surrounding Clear & Bright and Gravimetric methods can be removed

- **Also for use on petroleum based hydraulic applications (Skydrol compatible available)**

Suitable for use with mineral oil and petroleum based fluid as per standard hydraulic particle counter, reporting fluid cleanliness to ISO 4406:1999



## Specification

### Construction:

ABS structural foam and injection moulded case  
Hand-held display - ABS  
Keypad fluorosilicone rubber

### Mechanical Components:

Brass, plated steel, stainless steel and aluminium

### Seals:

Fluorocarbon

### Hoses:

Nylon (Kevlar braided microbore). St. steel armoured ends

### Flow Rate:

25 - 28ml/min (dictated by CMP) 100ml/min with additional flush button

### Fluid Compatibility:

Hydrocarbon Fuel, Mineral Oil. For other fluids consult Parker

### Fuse:

1.25 amp fast blow fuse included for overload protection (spare supplied)

### icountACM20 Technology:

Patented flow cell, light obscuration

### Repeatability/Accuracy:

As per or better than ISO 11171

### Coincidence:

40,000 particles per ml

### Viscosity Range:

1 -100 centistokes

### icountACM20 Weight:

8 kg

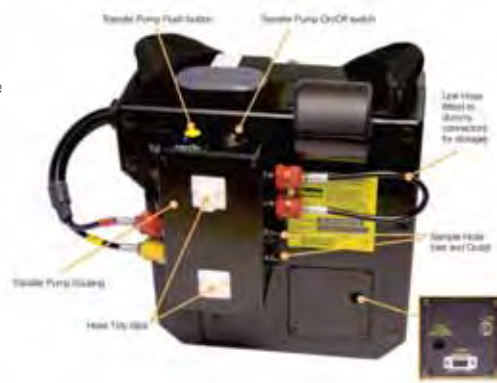
### Monitor Carrying Case:

Astra Board case

### Carrying Case Weight:

5 kg

## icountACM20 - rear view



Input Power Socket (note that you will have to remove the plastic dust cap to access the 12Vdc power socket).

A fast blow 1.25A fuse and the RS232 connection are located behind the removable cover plate. The RS232 interface is provided to download all test data stored in the instrument. See the **ParSmart Downloader** software for more information.

## Ordering Information

### Standard products table - icount ACM20

Product number	Supersedes	Description
ACM202022UK	N/A	icountACM20 (UK)
ACM202022US	N/A	icountACM20 (US)
ACM202022EUR	N/A	icountACM20 (EURO)
<b>ACM202024UK</b>	N/A	icountACM20 with lab kit - UK (DEFSTAN 9191)
<b>ACM202024US</b>	N/A	icountACM20 with lab kit - US (DEFSTAN 9191)
<b>ACM202024EUR</b>	N/A	icountACM20 with lab kit - EURO (DEFSTAN 9191)
ACC6ND000	B84794	1 meter process cable
ACC6NE006	B84816	ParSMART downloader software
ACC6NE019	P843855	icountACM20 transit Case
ACC6NW003	B84746	Vapour/waste bottle assembly
ACC6NE029	B84745	Throttle kit
ACC6NE001	B84645	Millipore adaptor kit
ACC6NE013	B84609	Re-chargeable battery pack
ACC6NE008	B84817	UK power supply
ACC6NE010	B84830	US power supply
ACC6NE009	B84831	Euro power supply
ACC6NE020		UK Offline kit
ACC6NE021	B84832	Euro Offline kit
ACC6NE022		US Offline kit
SERMISC067	N/A	500ml verification fluid
ACC6NE015	B84702	Printer reel (x5)
ACC6NE014	P843702	Printer ribbon (x1)

Note 1: Part numbers featured with bold highlighted codes will ensure a 'standard' product selection.

Note 2: Alternate displayed part number selection will require you to contact Parker Filtration for availability.

Note 3: Selected spare parts - for a full list contact Parker.

\* Hot works permit required for online sampling.



## Field Monitoring - icountACM202022

For use in non-hazardous areas, the icountACM202022 is designed for online sampling of hydrocarbon fuels and hydraulic systems, utilising existing "quick connect" sampling points such as the Millipore Adaptor.

# icountACM20 Lab Unit

## Aviation Fuel Contamination Monitoring

**DEFSTAN 91-91 Issue 6**  
**Defence Standard 91-91 is the specification for aviation turbine fuel, which the United Kingdom Civil Aviation Authority (CAA) has agreed is under the technical authority of the Director of the Defence Fuels Group.**

### IP 564

Laboratory determination of the level of dispersed contamination in aviation kerosene using an Automatic Particle Counter (APC). This standard describes a method for determining the level of dispersed contamination in aviation kerosene fuels, specifically dirt particles and water droplets in the range from  $\geq 4\mu(c)$  to  $\geq 30\mu(c)$ . This method relates specifically to Aviation fuels but the equipment can be used on all fuels, petroleum and mineral based fluids.

### Note:

The mandatory implementation date for IP 564 test method "Determination of the level of cleanliness of aviation turbine fuel - laboratory automatic particle counter" is July 1st 2009. It is the specification authorities intention to replace current test methods with particle counting at the earliest opportunity.

### IP 564 Procedure

#### Step 1

The apparatus shall be set up in accordance with Parker's operating instructions.

#### Step 2

#### Test Portion Preparation:

Decant a minimum of 450ml of the field sample into a clean test portion container.

#### Step 3

Prior to starting a test, tumble the test portion end over end for 60 seconds to ensure any settled particles are redistributed.

#### Step 4

Turn on the Case Mounted Pump and flush for 60 seconds. Do not press the fast flush button. While flushing, enter the test identifier (see manual).

#### Step 5

Following the flush, start a test by turning the blue valve in the direction indicated. Perform a further 3 tests. (4 in total).



# icountPD Z2

ATEX Approved Online Particle Detector



## For use in explosive and hazardous areas

The icountPD Particle Detector from Parker represents the most up to date technology in solid particle contamination analysis. This compact, permanently mounted laser-based ATEX approved particle detector module is designed for use in Zone 2 areas and is housed in a robust Stainless Steel IP69K approved enclosure that provides a cost effective solution to fluid management and contamination control.



## Contact Information:

Parker Hannifin  
**Hydraulic Filter Division Europe**

**European Product Information Centre**  
**Freephone: 00800 27 27 5374**  
**(from AT, BE, CH, CZ, DE, EE, ES, FI, FR, IE, IT, PT, SE, SK, UK)**  
**filtrationinfo@parker.com**

[www.parkerhfde.com](http://www.parkerhfde.com)

## Product Features:

- Independent monitoring of system contamination trends.
- Assembled in an approved and certified Stainless Steel enclosure to comply with ATEX Directive 94/9/EC.
- Can be used in explosive and hazardous areas.
- ATEX Zone 2.
- Certified to CE Ex II 3GD, Ex nA IIC T4 Gc, Ex tc IIIC Dc SIRA 09ATEX4340X and IECEx SIR 09.0137X (-30°C<Ta<+60°C).
- Moisture & %RH indicator (optional).
- Warning limit relay outputs for low, medium and high contamination levels.
- Continuous performance for prolonged analysis.
- Self diagnostic software.
- Full PC/PLC integration technology such as:- RS232 and 0-5Volt, 4-20mA, CAN(J1939) (Contact Parker for other options).
- Set up and Data logging support software included.



# icountPD Z2

## ATEX Approved Online Particle Detector



### Features & Benefits

#### Diagnostic Self Check Start-up Time:

Customer selectable 5-900 seconds

#### Measurement Period:

5 to 180 seconds

#### Reporting interval through RS232:

0 to 3600 seconds

#### Limit Relay Output:

Changes occur +/- 1 ISO code at set limit (Hysteresis ON) or customer set (Hysteresis OFF)

#### Particle / % RH Output Signal:

Continuous

#### Principle of operation:

Laser diode optical detection of actual particulates.

#### Reporting Codes:

ISO 7 – 21, NAS 0 – 12, (AS 00 – 12 Contact Parker)

icount will also report less than ISO 7, subject to the statistical uncertainty defined in ISO4406:1999, which is shown in the RS232, reporting results as appropriate e.g “>6”

#### Calibration:

By recognised on-line methods, confirmed by the relevant International Standard Organisation procedures.

#### Calibration Recommendation:

24 months

#### Performance:

+/- 1 ISO Code (Dependant on stability of flow)

#### Reproducibility / Repeatability:

Better than 1 ISO Code

#### Power Requirement:

Regulated 9 to 40Vdc

#### Maximum Current Draw:

150mA

#### Hydraulic Connection:

Size: 066

Connection: EO 24 cone end

#### Required Flow Range through the icountPD:

40 to 140 ml/min (Optimum Flow = 60ml/min)

#### Online Flow Range via System 20 Inline Sensors (Hydraulic systems only):

Size 0 = 6 to 25 l/min - (Optimum Flow = 15 l/min)

Size 1 = 24 to 100 l/min - (Optimum Flow = 70 l/min)

Size 2 = 170 to 380 l/min - (Optimum Flow = 250 l/min)

#### Required Differential Pressure across Inline Sensors:

0.4 bar (Minimum)

#### Viscosity Range:

1-500 cSt

#### Temperature:

Operating Environment -30°C to +60°C (-22°F to +140°F)

Storage -40°C to +80°C (-40°F to +176°F)

Operating Fluid +5°C to +80°C (+41°F to +176°F)

#### Working pressure:

2 to 420 bar (30-6000 PSI)

#### Moisture sensor calibration (Not offered with the fuel version):

±5% RH (over compensated temperature range of +10°C to +80°C (+50°F to +176°F))

#### Operating humidity range:

5% RH to 100% RH

#### Moisture sensor stability:

±0.2% RH typical at 50% RH in one year

#### Certification:

IP69K rating

EMC/RFI – EN61000-6-3:2007

EN61000-6-2:2005

#### Materials:

Stainless Steel case construction.

Stainless Steel hydraulic block.

#### Dimensions:

260mm x 114mm x 110mm

#### Weight:

2.6kg

#### Seals:

Fluorocarbon seals.

### Ordering Information

#### Product Configurator

Key	Fluid type	Calibration	Display	Limit relay	Communications	Moisture	Cable connector kit
IPD	1 Mineral	1 ACFTD	1 None	1 No	1 RS232	1 No	00 No
IPDZ	2 *Phosphate ester	2 MTD	2 LED	2 Yes	2 RS232 / 4-20mA	2 Yes	10 Deutsch 12-pin DT Series connector
IPDR	3 Aviation fuel (4 channel)	3 AS4059	3 Digital		3 RS232 / 0-5V		30 M12, 8 pin plug connector
			4 GSM		4 RS232 / RS485		
					5 RS232/CAN-bus		

\*Consult Parker Filtration

#### Standard Products Table

Part number	Fluid type	Calibration	Display	Limit relay	Communications	Moisture sensor	Cable connector kit
IPDZ12122230	Mineral	MTD	None	Yes	RS232 / 4-20mA	Yes	M12, 8 pin plug connector
IPDZ12121230	Mineral	MTD	None	Yes	RS232	Yes	M12, 8 pin plug connector
IPDZ12123230	Mineral	MTD	None	Yes	RS232 / 0-5V	Yes	M12, 8 pin plug connector
IPDZ12125230	Mineral	MTD	None	Yes	RS232 / CAN-bus	Yes	M12, 8 pin plug connector

#### Accessory Part Numbers

Description	Part Number
Single Point Sampler	SPS2021
External flow device	S840074
Power supply	ACC6NN013
2 x 10 metre M12, 8-pin plug and socket Ultrat cable kit	ACC6NN021
RS232 to USB converter	ACC6NN017

Note: For System 20 Sensor part numbers see page 380.





# icountACM20 Z2

ATEX Approved Portable Particle Counter



## For use in explosive and hazardous areas

icountACM20 Z2 is designed to be used to monitor various fuels from existing sampling points in hazardous locations such as refineries, pipelines, distribution terminals, airport fuel supply systems all the way through to the point of uplift into aircraft. With Zone 2 classification, the icount ACM20 Z2 is the worlds **only** ATEX approved particle counter.



## Contact Information:

Parker Hannifin  
**Hydraulic Filter Division Europe**

**European Product Information Centre**  
**Freephone: 00800 27 27 5374**  
**(from AT, BE, CH, CZ, DE, EE, ES, FI, FR, IE, IT, PT, SE, SK, UK)**  
**filtrationinfo@parker.com**

[www.parkerhfde.com](http://www.parkerhfde.com)

## Product Features:

- Assembled in an approved and certified stainless steel enclosure to comply with ATEX Directive 94/9/EC.
- Can be used in explosive and hazardous areas, including offshore and mining applications.
- ATEX Zone II
- Certified to CE Ex II 3 G Ex nR/nL IIC T6
- "A" Class product defined for the Aviation market.
- ATEX approved Handset and keypad.
- Suitable for use with mineral oil and petroleum based fluid as per ACM20/LCM20 particle counters.

# icountACM20 Z2

## ATEX Approved Portable Particle Counter

### Features & Benefits

**Test Time:**

2 minutes.

**Repeat Test Time:**

Every 2 minutes (Manual testing) Every 6 minutes (Automatic).

**Principle of Operation:**

Optical scanning analysis and measurement of actual particles and inference to water presence.

**Primary Output:**

$\geq 4\mu(c)$ ,  $\geq 6\mu(c)$ ,  $\geq 14\mu(c)$ ,  $\geq 21\mu(c)$ ,  $\geq 25\mu(c)$ ,  $\geq 30\mu(c)$  counts per ml.

**Secondary Diagnostic Output:**

% Volume Distribution, via graphical display on handset.

**International codes:**

ISO 7-22 in accordance with ISO 4406-1999

**Data entry:**

32 character two line dot matrix LCD. Full alpha numeric entry facility on keypad.

**Data retrieval:**

Memory access gives test search facility for up to 300 saved tests.

**Calibration:**

In accordance with Parker Calibration Procedure CM20-N, which complies to ISO11171:1999, Clause 6 (Omitting Annex F).

**Re-calibration:**

Every 12 months by a dedicated Parker Service Centre (Consult Parker).

**Max. working pressure:**

420 bar.

**Operating Temperature:**

+5°C to +80°C

**Memory store:**

300 test (scrolling memory) capacity.

**Computer compatibility:**

Interface via RS 232 connection @ 9600 baud rate.

**Portability:**

15 kg. ACM20 has its own battery pack and carry case with wheels.

**Power requirement:**

Rechargeable battery powered or via the 12vDC input.

**System connection:**

Via Millipore adaptor with flow restriction through supplied needle valve.

**Certification:**

Complies with all relevant EC declarations of conformity.

**Printer facility:**

No printer. Data download only.

### Online Commission Kit

- a – icountACM20 Zone II Particle Counter
- b – Battery Charger
- c – Process Cable
- d – User Manual
- e – Downloader Software
- f – Throttle Kit
- g – Millipore Adaptor Assembly
- h – Aluminium Case
- i – Bottle Assembly



## Specification

### Construction:

**Unit:** Stainless Steel

**Carrying case:** ABS

**Hand-held display:** ABS

**Keypad:** polyester membrane

### Mechanical components:

Brass, plated steel, stainless steel and aluminium

**Seals:** Fluorocarbon

**Hoses:** Nylon (Kevlar braided microbore)

### Fluid compatibility:

All fuels. For other fluids consult Parker

### Internal rechargeable battery:

Note: ONLY to be charged outside of the hazardous area, with the unit switched off

### Fuse:

1.25A fast blow fuse included for overload protection

Return to Parker Hannifin if fuse is blown

### icountACM20 2032 technology:

Unique optical scanning system

## Using icountACM20 Z2

icountACM20 Z2 is designed to be used to monitor various fuels from existing sampling points in hazardous locations from refineries, pipelines, distribution terminals, airport fuel supply systems all the way through to the point of uplift into aircraft. With Zone II classification, the icountACM20 Z2 is the worlds **only** ATEX approved particle counter.



## Applications in Fuels

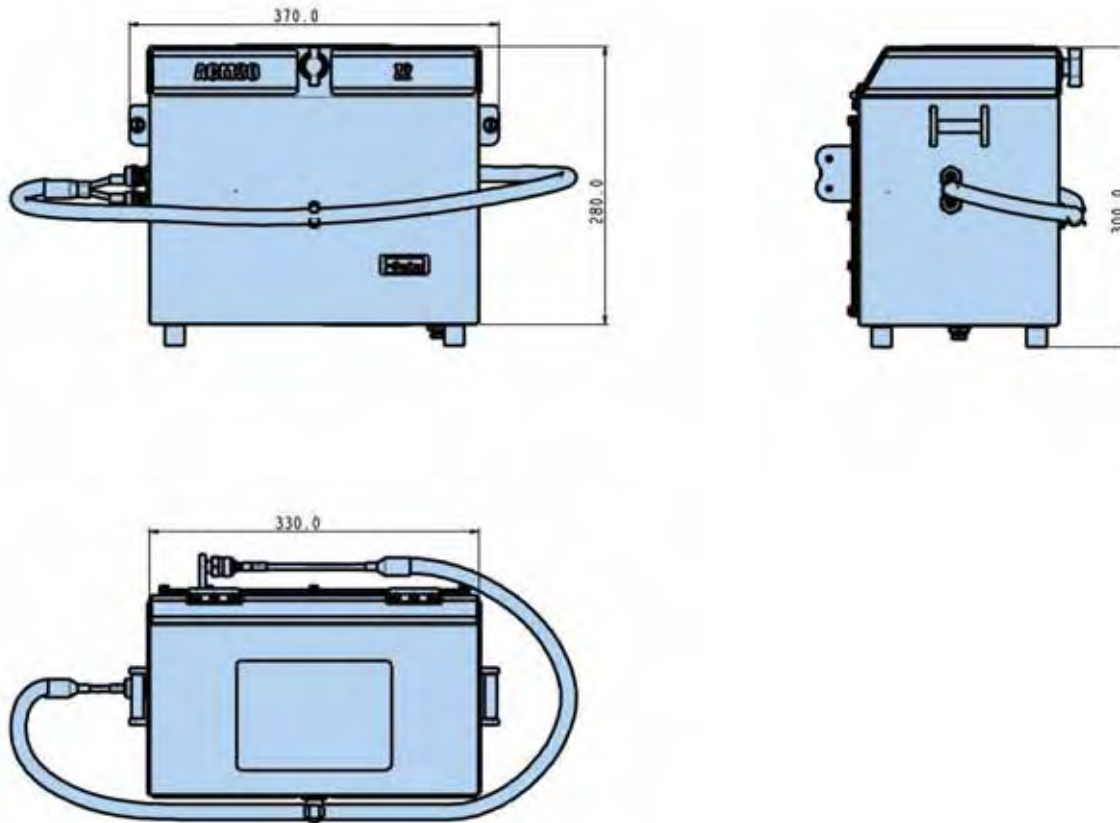
- **Oil Refinery**
  - To count and verify the levels of dispersed contamination in accordance with specification limits. (Consult Parker CMC).
- **Distribution Terminals/Hubs**
  - For use on receipt and outbound supply. Also to provide filtration performance, tank cleanliness and product quality checks.
- **Storage**
  - Settling times can be reduced by monitoring with the ACM by ensuring that levels of dispersed contamination are below acceptable levels.
- **Airport Fuel Farm**
  - Monitoring of fuels into storage, through the fuel farm, hydrant system and during uplift into wing.
- **Pipeline Commissioning**
  - Fast real time monitoring of pipelines following pigging and cleaning processes.
- **Oil and Gas Platforms**
  - Used to monitor the filtration performance, system cleanliness and quality of delivered product.



# icountACM20 Z2

ATEX Approved Portable Particle Counter

## Installation Details



## Ordering Information

Standard products table - icountACM20 Z2

Product number	Supersedes	Description
<b>ACM202032UK</b>	N/A	icountACM20 Z2 + online kit & UK battery charger
<b>ACM202032US</b>	N/A	icountACM20 Z2 + online kit & US battery charger
<b>ACM202032EUR</b>	N/A	icountACM20 Z2 + online kit & Euro battery charger
ACM202034UK		icountACM20 Z2 + online & lab kit + UK battery charger
ACM202034US		icountACM20 Z2 + online & lab kit + US battery charger
ACM202034EUR		icountACM20 Z2 + online & lab kit + Euro battery charger
ACC6NE023	B84647	UK battery charger
ACC6NE025	B84652	US battery charger
ACC6NE024	B84653	Euro battery charger
ACC6NE027	B84650	2m process cable assembly
ACC6NE006	B84816	Parsmart downloader software
ACC6NE028	P843066	Carry case
ACC6NW003	B84746	Bottle assembly
ACC6NE029	B84745	Throttle kit
ACC6NE001	B84645	Millipore adaptor assy

## Applications in hydraulics

OFFSHORE

### Solutions in the offshore industry.

In addition, the icountACM20 Z2 can be used in many hydraulic system applications as detailed below.

In many industries, worker awareness needs to be maintained at a high level to ensure the safety of their operation. This is particularly relevant to offshore oil-drilling and gas-drilling crews, given the interactive and hazardous nature of their work. The Zone II ACM portable particle analyser is a tried and tested technology designed, proven and approved as a fluid contamination monitor that crews are using and trusting in such hazardous and demanding environments.

- Certified to CE Ex II 3 G Ex nR/nL IIC T6
- Can be used in explosive and hazardous areas, including Offshore and Mining.
- Primary Output. Six cumulative particle size channels ranging from  $\geq 4\mu\text{m}(c)$  to  $\geq 30\mu\text{m}(c)$  and numbers per ml in accordance with ISO4406-1999.



REFINERIES



### icountACM20 Z2 – operational in oil refineries and fuel fields.

Already operational in oil refineries and designed to be used inside commercial airfield fuel locations and at the point of upload of fuel into the aircraft, icountACM20 Z2 has an impressive success record in this approval sensitive area of operation.

With a number of safety features designed in as operational standards, the icountACM20Z2 can be taken to the point of use, connected in moments and reporting in little more than 2 minutes to ISO approved standards.

- Assembled in an approved and certified stainless steel enclosure to comply with ATEX Directive 94/9/EC and EN50 021 requirements.
- 'A' Class product defined for the aviation market.
- Designed for on-line operation, connecting to the process line via existing Millipore™ fittings, already in use for other industry equipment.

QUARRYING

### Applications in other hazardous environments.

- Railroad equipment manufacturer - Warranty protection.
- Power generation stations - Preventative maintenance.
- Mobile equipment - Roll-off cleanliness testing.
- Mining operations - Service tool.
- Steel mills - Preventative maintenance.



# icountACM20 Z2

## ATEX Approved Portable Particle Counter

### Average Particle Counts in AV System

The table below gives estimated counts found in a typical aviation fuel distribution system, and is given as guidance, in which API/EI filtration equipment is installed.

Receipt into Microfilter  
Expect 2,500 counts per ml or cleaner @ 4μ(c)

**MF**



Receipt into FWS (After MF)  
Expect 500 counts per ml or cleaner @ 4μ(c)

**FWS**



Receipt into Storage (After FWS/MF)  
Expect 100 counts per ml or cleaner @ 4μ(c)

**Airport storage**



FWS out of storage  
Expect 500 counts per ml or cleaner @ 4μ(c)

**FWS**



After FWS into Hydrant  
Expect 100 counts per ml or cleaner @ 4μ(c)

**To Hydrant/Refueller**



After Monitor Into Aircraft  
Expect 100 counts per ml or cleaner @ 4μ(c)



Note: Figures will vary from location to location.

Key: MF=Microfilter (API/EI 1590)

FWS=Filter Water Separator (API/EI 1581)

Receipt into Microfilter		ISO Code - 4406 1999
	High Count	High Count Code
≥4μ(c)	2,500	18
≥6μ(c)	350	15
≥14μ(c)	10	10

Receipt into FWS (After MF)		ISO Code - 4406 1999
	High Count	High Count Code
≥4μ(c)	500	16
≥6μ(c)	50	13
≥14μ(c)	5	9

Receipt into Storage (After FWS/MF)		ISO Code - 4406 1999
	High Count	High Count Code
≥4μ(c)	100	14
≥6μ(c)	10	10
≥14μ(c)	1	7

FWS Out of Storage		ISO Code - 4406 1999
	High Count	High Count Code
≥4μ(c)	500	16
≥6μ(c)	50	13
≥14μ(c)	5	9

After FWS Into Hydrant		ISO Code - 4406 1999
	High Count	High Count Code
≥4μ(c)	100	14
≥6μ(c)	10	10
≥14μ(c)	1	7

After Monitor Into Plane		ISO Code - 4406 1999
	High Count	High Count Code
≥4μ(c)	100	14
≥6μ(c)	10	10
≥14μ(c)	1	7

# ASIC 'Performer'

Pressure Transducers and Transmitters  
25, 60, 100, 250, 400 and 600 bar



**One product range, designed for many industry applications**

## All Stainless Steel Construction

A quality range of transducers and transmitters with pressure ratings - 25, 60, 100, 250, 400 and 600 bar. One-piece body and diaphragm machining ensures long-term stability and an all Stainless Steel construction ensures reliability. A cost-effective solution in many industrial applications.



## Contact Information:

Parker Hannifin  
**Hydraulic Filter Division Europe**

**European Product Information Centre**  
Freephone: 00800 27 27 5374  
(from AT, BE, CH, CZ, DE, EE, ES, FI, FR, IE, IT, PT, SE, SK, UK)  
filtrationinfo@parker.com

www.parkerhfde.com

## Product Features:

- A quality range of transducers and transmitters with pressure ratings - 25, 60, 100, 250, 400 and 600 bar.
- One-piece body and diaphragm machining ensures long-term stability.
- All Stainless Steel construction.
- Cost-effective solution in many industry applications.
- 0-5 Volt, 1-6 Volt Transducers.
- 4-20mA Transmitters.
- 1/4 " BSP thread.
- M12 or MicroDIN plug options.

# ASIC 'Performer'

## Pressure Transducers and Transmitters

### Applications for the ASIC Performer

- Fork lift trucks - braking and load systems.
- Truck mounted cranes - load safety systems.
- Earth moving machinery - hydraulic gearbox control.
- Racing car - gearbox, fuel, cooling and suspension systems.
- Water usage systems - pressurised systems for industrial and hi-rise usage.
- Forest Machinery - felling and logging.
- Paper mills - speed control and weighing systems.



### The Parker Filtration ASIC Performer Pressure Transducers and Transmitters.

The ASIC Performer offers a wide range of pressure sensors for mobile or industrial applications.

These sensors have been designed for the requirements of industrial instrumentation systems. Accordingly, the housings and all components in contact with the medium are made of stainless steel. Thus giving compatibility with a wide range of media. There is a choice of two plug connectors of either DIN or M12. There are

six measuring ranges available and a choice of outputs in the form of either voltage or current signals. Sensors with output signals from 4...20 mA are available in two wire technology.



The built-in voltage regulator allows the sensors to be operated with a supply voltage of 12-36/9-36 Vdc. All sensors are manufactured in our own production facility, typical of Parker Hannifin's continued commitment to flexibility and quality.



The Complete Performer range utilises ASIC technology (Application Specific Integrated Circuit) programmable software.



A comprehensive range of Pressure Transducers and Transmitters are available from Parker Filtration.

- One-piece body and diaphragm machining ensures long-term product stability.
- All stainless steel construction.
- 6 transducer pressure ratings with 0-5Vdc and 1-6Vdc outputs.
- 6 transmitter pressure ratings with a 2-wire 4-20mA output.
- Microdin plug and M12 connector options.



AC/DC display unit (DDU10012 or DDU1002)



## Specification

**Pressure ranges:**  
25, 60, 100, 250, 400, 600 bar.

### Pressure Tolerance Specifications:

Rating	Maximum Overload Pressure	Maximum Burst Pressure
25	x 2 (50 bar)	x 3 (75 Bar)
60	x 2 (120 Bar)	x 3 (180 Bar)
100	x 2 (200 bar)	x 3 (300 Bar)
250	x 2 (500 Bar)	x 3 (750 Bar)
400	x 2 (800 Bar)	x 3 (1200 Bar)
600	x 2 (1200 Bar)	x 2.5 (1500 Bar)

**Vibration resistance:**  
IEC 60068-2-6:  
+/- 5mm/10Hz...32Hz  
200m/s<sup>2</sup> / 32Hz...2kHz

**Installation:**  
Spanner size 22A/F.  
Max. (recommended) tightening torque = 30Nm.

**Weight:**  
200 - 230g

**Lifespan:**  
10 million cycles

## Thread Forms

G<sup>1</sup>/<sub>4</sub> (1/4BSP) with ED seal.  
All thread forms and sensor interface are made from 1.4301 stainless steel.

Non standard threads - contact Parker CMC

## Electrical

Supply voltage	Output
12 - 36Vdc	0 - 5Vdc
12 - 36Vdc	1 - 6Vdc
9 - 36Vdc	4 - 20mA

**Transducer current draw = <6mA**  
**Load impedance (ohm) = >10K**  
**Output signal noise = 0.1%FS**

## Product Performance

**Linearity:**  
Typical: 0.3%FS.  
Max: 0.6%FS.

**Hysteresis:**  
Typical: 0.1%FS.  
Max: 0.25%FS.

**Repeatability:**  
Typical: 0.2%FS.  
Max: 0.4%FS.

**Functional temp range:**  
-40°C to +85°C.

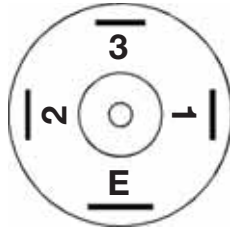
**Compensated temperature:**  
-20°C to +85°C.

**Stability:**  
<0.1%FS/a (typ).

**Response time:**  
= <1mS.

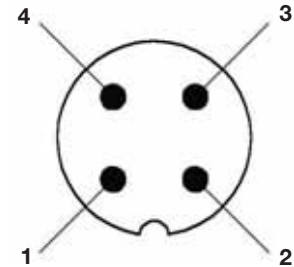
## Wiring Information

**Connector**  
**Industrial Micro Din**  
**9.4mm**



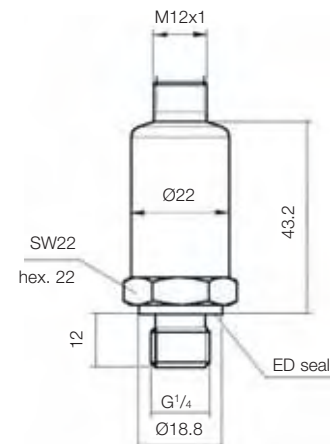
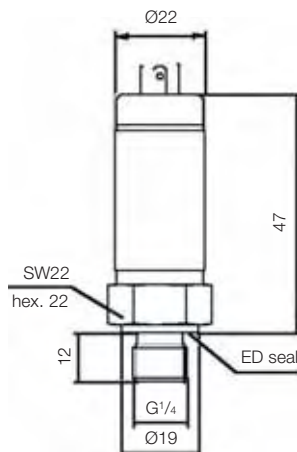
PIN	4 - 20mA	0 - 5Vdc	1 - 6Vdc
1	Do not connect	Signal output	Signal output
2	Supply +ve	Supply +ve	Supply +ve
3	Do not connect	Do not connect	Do not connect
E	Return	Supply ref. (0v)	Supply ref. (0v)

**Connector**  
**M12**



PIN	4 - 20mA	0 - 5Vdc	1 - 6Vdc
1	Supply +ve	Supply +ve	Supply +ve
2	Do not connect	Signal output	Signal output
3	Return	Supply ref. (0v)	Supply ref. (0v)
4	Do not connect	Do not connect	Do not connect

## Installation Details



# ASIC 'Performer'

## Pressure Transducers and Transmitters

### Ordering Information

#### Standard products table

Product number	Description - pressure transducer	Model	Output	Pressure	Thread form	Connector
<b>PTDVB2501B1C1</b>	0 - 5 Vdc 250 bar 1/4" BSP ED seal micro-din	PTD	VB	250	1	B1C1
<b>PTDVB4001B1C1</b>	0 - 5 Vdc 400 bar 1/4" BSP ED seal micro-din	PTD	VB	400	1	B1C1
<b>PTDVB2501B1C2</b>	0 - 5 Vdc 250 bar 1/4" BSP ED seal M12	PTD	VB	250	1	B1C2
<b>PTDVB4001B1C2</b>	0 - 5 Vdc 400 bar 1/4" BSP ED seal M12	PTD	VB	400	1	B1C2
<b>PTDVB0251B1C1</b>	0 - 5 Vdc 25 bar 1/4" BSP ED seal micro-din	PTD	VB	025	1	B1C1
<b>PTDVB0251B1C2</b>	0 - 5 Vdc 25 bar 1/4" BSP ED seal M12	PTD	VB	025	1	B1C2

Product number	Description - pressure transmitter	Model	Output	Pressure	Thread form	Connector
<b>PTXB4001B1C2</b>	4 - 20 mA 400 bar 1/4" BSP ED seal M12	PTX	B	400	1	B1C2
<b>PTXB0251B1C1</b>	4 - 20 mA 25 bar 1/4" BSP ED seal micro-din	PTX	B	025	1	B1C1
<b>PTXB0251B1C2</b>	4 - 20 mA 25 bar 1/4" BSP ED seal M12	PTX	B	025	1	B1C2
<b>PTXB4001B1C1</b>	4 - 20 mA 400 bar 1/4" BSP ED seal micro-din	PTX	B	400	1	B1C1
<b>PTXB2501B1C1</b>	4 - 20 mA 250 bar 1/4" BSP ED seal micro-din	PTX	B	250	1	B1C1
<b>PTXB2501B1C2</b>	4 - 20 mA 250 bar 1/4" BSP ED seal M12	PTX	B	250	1	B1C2

#### Accessories

Product number	Supersedes	Description
<b>P833PVC2M</b>	P.833PVC-2M	2 meter PVC coated 4 core cable
<b>P833PVC5M</b>	P.833PVC-5M	5 meter PVC coated 4 core cable
<b>P833PVC10M</b>	P.833PVC-10M	10 meter PVC coated 4 core cable

Note 1: Part numbers featured with bold highlighted codes will ensure a 'standard' product selection.

Note 2: Alternate displayed part number selection will require you to contact Parker Filtration for availability.

#### Product configurator

Product number	Output options		Pressure range (bar)		Thread form		Connector	
	Code	Description	Code	Description	Code	Description	Code	Description
<b>PTD</b>	<b>VB</b>	0 - 5 Vdc	<b>025</b>	0 - 25	<b>1</b>	1/4" BSP with ED seal	<b>B1C1</b>	Micro-din
<b>PTX</b>	SB	1 - 6 Vdc	060	0 - 60			<b>B1C2</b>	M12
	<b>B</b>	4 - 20mA (PTX only)	100	0 - 100				
	RB	0.5 - 4.5 ratiometric	<b>250</b>	0 - 250				
	PB	0.1 - 4.9	<b>400</b>	0 - 400				
			600	0 - 600				

Note 1: Part numbers featured with bold highlighted codes will ensure a 'standard' product selection.

Note 2: Alternate displayed part number selection will require you to contact Parker Filtration for availability.

#### Examples of standard part number product ordering

**PTDVB2501B1C1** 0 – 5 volt output transducer  
250 bar maximum pressure  
1/4" BSP with ED seal  
Industrial micro-din 9.4mm connector

**PTXB0251B1C2** 4 – 20mA output transmitter  
25 bar maximum pressure  
1/4" BSP with ED seal  
M12 connector  
(See accessories for IP68 protected cable)

**PTDSB4001B1C2** 1 – 6 volt output transducer  
400 bar maximum pressure  
1/4" BSP with ED seal  
M12 connector  
(See accessories for IP68 protected cable)

# Flowmeters & Monitors

A range of cost saving solutions



**Protect systems,  
reduce fluid and air  
loss and increase  
efficiency**

**Effective and accurate flow  
measurement**

An extensive range of flow metering products. LoFlow oil and water flowmeters. 10 bar max. working pressure. Easiflow meters and flowswitches with flows from 1 to 150 l/min. Dataflow 4-20mA and pulse output flow transmitters and the Dataflow Compact inline flow transmitter. Flowline oil, water and air calibrated flowmeters and flowswitches available in brass or Stainless Steel. Hydraulic Test Units for the speedy diagnosis of hydraulic circuit faults with flow ranges from 2 to 360 l/min.



## Contact Information:

Parker Hannifin  
**Hydraulic Filter Division Europe**

**European Product  
Information Centre**  
Freephone: 00800 27 27 5374  
(from AT, BE, CH, CZ, DE, EE, ES,  
FI, FR, IE, IT, PT, SE, SK, UK)  
filtrationinfo@parker.com

www.parkerhfde.com

## Product Features:

- LoFlow oil and water flowmeters. 10 bar max. working pressure.
- Easiflow meters and Flowswitches. Work in any plane. Flows from 1 to 150 l/min.
- Dataflow 4-20mA and pulse output flow transmitters and Dataflow Compact inline flow transmitter.
- Flowline oil, water and air calibrated flowmeters and flowswitches available in brass or Stainless Steel.
- Hydraulic Test Units for the speedy diagnosis of hydraulic circuit faults with flow ranges from 2 to 360 l/min.

# LoFlow - Oil and Water Flowmeters

## Flowmeters

### Features & Benefits



- Easy to read, permanent printed scales.
- Large scale definition for precise measurement.
- Easy panel mounting assembly.
- Negligible pressure drop characteristics.
- 10 bar pressure rating.
- Simple to use.

### Specification

#### Construction:

Body Grillon TR55.  
 Back body half ABS 7020.  
 Ball retainer ABS 7020.  
 Back panel PVC.  
 Float See below.

**Maximum working pressure:**  
 10 bar.

**Maximum working temperature:**  
 60°C.

**Accuracy:**  
 ±2% typical.

**Repeatability:**  
 ±1%.

**Connections:**  
 1/4" and 3/4" tapered threads.

Note: Always install vertically.

### Installation Details

#### Simple to fit, easy to use

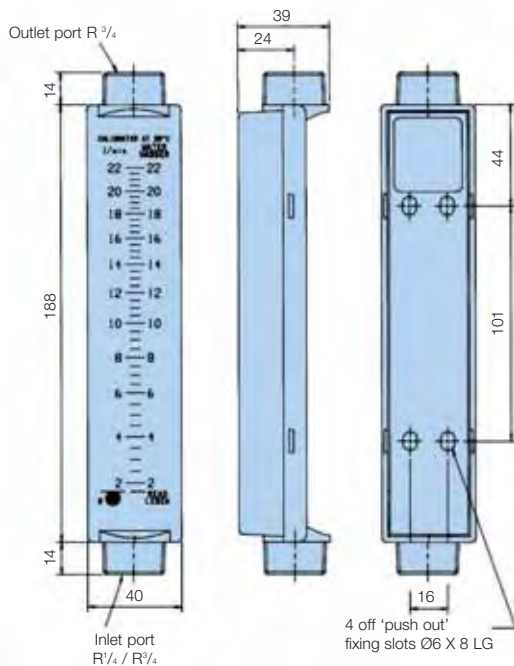
The LoFlow meter has been designed for those industries where the need exists for a low cost solution to small measurements of flow with an accurate reading. LoFlow uses the well tried and tested principle of variable area flow measurement utilising the movement of a ball or float inside a calibrated tapered bore.

### Typical Applications

Pharmaceutical industry  
 Filtration systems  
 Hospital equipment  
 For water applications

Water treatment  
 Photography and X-ray  
 Equipment  
 Swimming pools

### Installation Details



### Ordering Information

#### Standard products table

Product number	Supersedes	Media	Ports (BSPT male)	Flow range (l/min)	Float material
<b>LF802412</b>	LF.2020	Water	3/4 - 3/4	0.2 - 2.0	Acetal
<b>LF802413</b>	LF.2100	Water	3/4 - 3/4	2.0 - 10.0	S/Steel
<b>LF802414</b>	LF.2220	Water	3/4 - 3/4	3.0 - 22.0	S/Steel
<b>LF801431</b>	LF.1002	Oil	1/4 - 3/4	0.010 - 0.20	S/Steel
<b>LF802432</b>	LF.1009	Oil	3/4 - 3/4	0.1 - 0.9	Acetal
<b>LF802434</b>	LF.1090	Oil	3/4 - 3/4	1.0 - 9.0	S/Steel
<b>LF801411</b>	LF.2005	Water	1/4 - 3/4	0.06 - 0.55	S/Steel

Note 1: Part numbers featured with bold highlighted codes will ensure a 'standard' product selection.

Note 2: Alternate displayed part number selection will require you to contact Parker Filtration for availability.



# Easiflow - Meters and Flowswitches

## Flowmeters

### Features & Benefits



- Oil and water calibrated.
- Works in any plane.
- Pressures up to 10 bar.
- Flows from 1 to 150 l/min.
- Accuracy  $\pm 5\%$  FSD.
- Repeatability  $\pm 1\%$  FSD.
- Switches – fully adjustable flow rate signalling.
- Plant and equipment protection.



### Easiflow Meters Specification

#### Construction:

Cone Acetal  
Viewing glass Borosilicate glass  
Calibrated spring Stainless steel  
Seal Nitrile  
Body Glass filled nylon

**Maximum working pressure:**  
10 bar.

**Minimum working pressure:**  
1 bar.

**Temperature range:**  
+5°C to +80°C - Oil.  
+5°C to +60°C - Water.

#### Flow rate:

1 to 150 l/min.

#### Viscosity range:

10 to 200 centistokes (oil).

#### Accuracy:

$\pm 5\%$  FSD.

#### Repeatability:

$\pm 1\%$  FSD.

#### Connections:

1" BSP parallel threads.

#### Weight:

0.4kg.

### Flowswitch Specifications

The Easiflow switch is a flow measuring device incorporating an AC/DC switch suitable for controlling valves or pump motors or for activating alarm signals.

#### General flowmeter specification:

See material details opposite.

#### Switch type specifications:

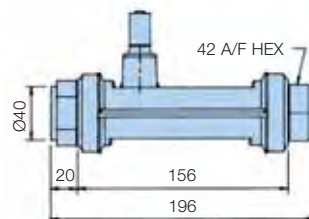
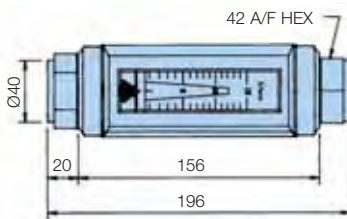
Magnetically operated reed switch.

#### Electrical details:

Voltage range 300Vac/dc  
Maximum current 2.5Amps  
Maximum load 100W resistive  
70W inductive



### Installation Details



### Ordering Information

#### Standard products table – Flowmeter only

Product number	Supersedes	Media	Flow range (l/min)
<b>EF773111220</b>	EFW.0302	Water	2 - 30
<b>EF773111220</b>	EFW.0502	Water	4 - 50
<b>EF7731113220</b>	EFW.1002	Water	5 - 100
<b>EF7731114220</b>	EFW.1502	Water	10 - 150
<b>EF7731110120</b>	EFL.0151	Oil	1 - 15
<b>EF7731111120</b>	EFL.0301	Oil	2 - 30
<b>EF7731112120</b>	EFL.0501	Oil	4 - 50
<b>EF7731113120</b>	EFL.1001	Oil	5 - 100
<b>EF7731114120</b>	EFL.1501	Oil	10 - 150
<b>EF7731110220</b>	EFW.0152	Water	1 - 15

Note 1: Part numbers featured with bold highlighted codes will ensure a 'standard' product selection.

Note 2: Alternate displayed part number selection will require you to contact Parker Filtration for availability.

#### Standard products table – Flowmeter plus one switch

Product number	Supersedes	Media	Flow range (l/min)	Switch range (l/min)
<b>EF7731110221</b>	EFW.015S1	Water	1 - 15	5 - 15
<b>EF7731111221</b>	EFW.030S1	Water	2 - 30	5 - 30
<b>EF7731110121</b>	EFL.015S1	Oil	1 - 15	5 - 15
<b>EF7731111121</b>	EFL.030S1	Oil	2 - 30	5 - 30
<b>EF7731112121</b>	EFL.050S1	Oil	4 - 50	10 - 50
<b>EF7731113121</b>	EFL.100S1	Oil	5 - 100	20 - 100
<b>EF7731114121</b>	EFL.150S1	Oil	10 - 150	30 - 150
<b>EF7731112221</b>	EFW.050S1	Water	4 - 50	10 - 50
<b>EF7731113221</b>	EFW.100S1	Water	5 - 100	20 - 100
<b>EF7731114221</b>	EFW.150S1	Water	10 - 150	30 - 150

Note 1: Part numbers featured with bold highlighted codes will ensure a 'standard' product selection.

Note 2: Alternate displayed part number selection will require you to contact Parker Filtration for availability.



# Dataflow - 4 to 20mA and Pulse Output Flow Transmitters

## Flowmeters

### Features & Benefits



- 4 to 20mA output.
- Pulse output available for totalising/batching.
- Works in any plane.
- Accepts reverse flow.
- Maximum flow 150 l/min.
- Negligible pressure drop.
- Pressures up to 10 bar.
- Low cost. Simple to install.
- For use with most liquids.
- Factory calibrated. Accuracy  $\pm 2\%$ .
- DIN 43650 plug connection (included).

### Specification

#### Construction:

Borosilicate glasstube.  
Nitrile seals.  
Body – Glass filled nylon.  
Rotor and locator – Acetal.  
Washers and shaft – Stainless steel.  
Rotor tips – Stainless steel.

**Max. working pressure:**  
10 bar oil/water.

#### Flow indication:

Min: 2 l/min.  
Max: 150 l/min.  
Accepts reverse flow.

#### Accuracy:

$\pm 2\%$  FSD.

#### Temp range:

+5°C to +80°C oil.  
+5°C to +60°C water.

#### Connections:

1" BSP parallel threads.

#### Weight:

0.7Kg.

#### Calibration 4 to 20mA:

4mA = 0 l/min,  
20mA = 100 l/min.

#### Calibration pulse output per litre:

'K' factors.  
Oil = 51.14  
Water = 44.25

#### Electrical details 4 to 20mA:

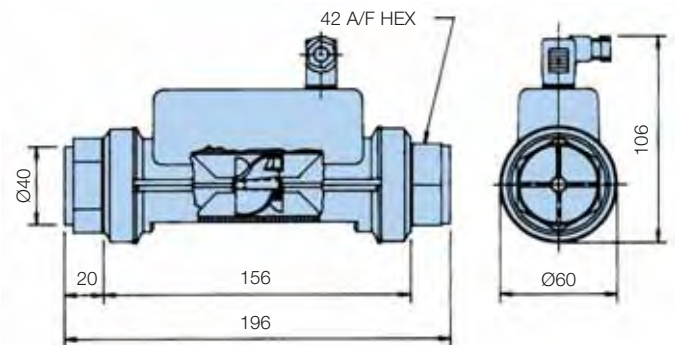
Supply = 24Vdc.

#### Pulse output:

Supply = 24Vdc.  
(open collector transistor).



### Installation Details



### Ordering Information

#### Standard products table

Product number	Supersedes	Description
<b>DFT980</b>	DFT.980	Dataflow "Pulse" output transmitter
<b>DFT990</b>	DFT.990	Dataflow 4-20mA transmitter

Note 1: Part numbers featured with bold highlighted codes will ensure a 'standard' product selection.  
Note 2: Alternate displayed part number selection will require you to contact Parker Filtration for availability.



Dataflow 4-20mA transmitter can be connected to a Digital Display Unit (DDU1001 or DDU1002)

### Digital Display Specification (DFT 990 only)

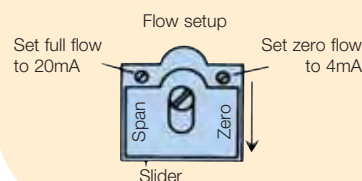
For indicator options please refer to MS150 section of the catalogue, reference DDU1001 and DDU1002 indicators

### 4 to 20mA On-Site Calibration

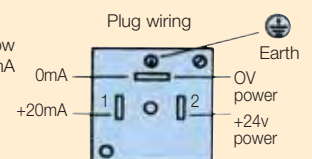
Set your system to zero flow. Connect a multimeter across terminals 1 (+20mA) and  $\ominus$  (0mA) (Dia. 2). Set the zero to read 4mA on your multimeter (Dia. 1). Set your system to full flow and set the span to read 20mA on your multimeter. (Dia. 1)

Note: Minimum span setting = 30 l/min

#### Diagram 1



#### Diagram 2



# Dataflow Compact - Inline Flow Transmitter

## Flowmeters

### Features & Benefits



- Pulse output signal for flows up to 25 l/min.
- Lightweight and robust.
- Operates in any plane. Simple to install.
- Low cost flow measurement.
- Negligible pressure drop.
- Accepts reverse flow.
- $\frac{3}{8}$  BSP male connection.
- Water or compatible clear fluids only.
- Ideal for washing machines, showers and vending machines.

### Specification

#### Construction:

Body Grilamid – TR55.  
Rotor 18% PTFE filled nylon.  
Shaft Stainless steel.  
Shaft Retainers Grilamid TR55.

#### Operation:

Infra-red.

**Maximum working pressure:**  
20 bar.

**Pressure drop:**  
Max 0.1 bar at 15 l/min.

**Flow range:**  
1 to 25 l/min.  
(Accepts reverse flow).

**Calibration:**  
'K' Factor 752 pulses per litre, typical.  
Subject to application.

**Accuracy:**  
±2% typical.



#### Repeatability:

±1%.

**Temperature range:**  
+5°C to +70°C.

**Overall dimensions:**  
52mm x 29mm x 27mm.

**Weight:**  
16 grams.

**Connections:**  
 $\frac{3}{8}$  BSP

**Cable length:**  
300mm.

**Power supply:**  
5 Vdc.

**Output signal:**  
5 Vdc - square wave

### Dataflow Compact – The Low Cost Transmitter

The Dataflow Compact Transmitter was designed to offer OEM's and end users alike a means of monitoring low flows on liquids with an electronic output signal – but at LOW COST. Fluid passes through the one piece sensor body impacting on the twin vaned turbine rotor, causing it to rotate at a speed proportional to the flow rate. Two opposing photo-transistors are mounted either side of the rotor and externally of the clear sensor body, these generate a continuous signal.

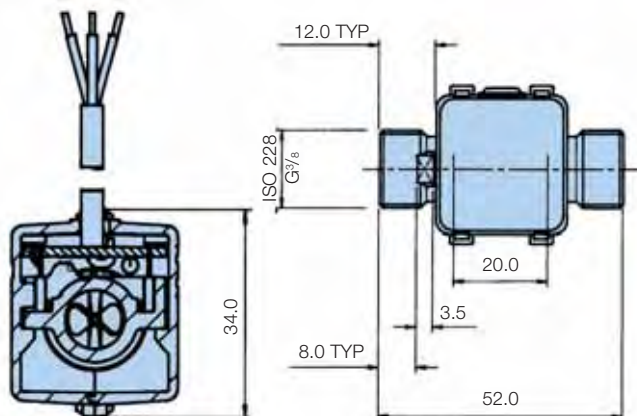
As the rotor spins each blade obscures the infra red signal. This is then converted into an industry standard pulse output signal – compatible with inexpensive display units for flow rate, totalising, batch control and large, central control systems. The lightweight Grilamid body with its virtually unrestricted flow path, offers negligible pressure drop for flows up to 25 l/min and withstanding pressures up to 20 bar.

### Flow Rate • Totalising • Batch Control and applications in many industries

Dataflow Compact Transmitters are small and very robust having been developed and tested extensively in industry applications where space is a restriction. Dataflow Compact with its Grilamid body and BSP connections can be installed almost anywhere and once installed will give accurate and reliable output signalling.

### Installation Details

Red wire +5V supply  
Green wire Output signal  
Blue wire 0V supply



### Ordering Information

#### Standard products table

Product number	Supersedes	Description
<b>DFC9000100</b>	DFC.9000.100	Dataflow compact flow transmitter

Note 1: Part numbers featured with bold highlighted codes will ensure a 'standard' product selection.  
Note 2: Alternate displayed part number selection will require you to contact Parker Filtration for availability.

# Flowline - Oil and Water Calibrated Flowmeters (Brass Version)

## Flowmeters

### Features & Benefits

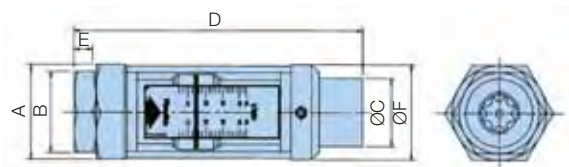


- Works in any plane.
- Pressure up to 350 bar (5000 psi).
- Flows up to 360 l/min.
- Accuracy  $\pm 5\%$  FSD.
- Repeatability  $\pm 1\%$  FSD.
- Direct reading.
- Relatively insensitive to viscosity changes.
- Oil or water calibrated.
- Optional reed switch upgrade.

### Specification

<b>Construction:</b> Brass body to BS 2874 CZ114.	<b>Viscosity range:</b> 10 to 200 cSt (oil).
<b>Maximum working pressure:</b> Up to 350 bar.	<b>Accuracy:</b> $\pm 5\%$ FSD.
<b>Minimum working pressure:</b> 1 bar.	<b>Repeatability:</b> $\pm 1\%$ FSD.
<b>Temperature range:</b> Brass $-20^{\circ}\text{C}$ to $+90^{\circ}\text{C}$ .	<b>Min. scale reading:</b> 10% FSD.
<b>Calibration:</b>	<b>Connections:</b> BSP parallel threads.
Oil      Specific gravity 0.856 at $20^{\circ}\text{C}$ .	<b>Wetted/non-wetted parts:</b> Consult Parker for information.
Water    Specific gravity 1.0 at $20^{\circ}\text{C}$ .	

1/4", 1/2" and 3/4" BSP thread options  
(1 1/4" version on next page)



Note: To add an electrically operated reed switch to your flowmeter please order B26307

### Ordering Information - Oil

#### Standard products table

Brass flowmeter for oil		Ports BSP	Flow range (l/min)	Maximum pressure (bar)	Dimensions (mm)						Weight (kg)
Product number	Supersedes				A (A/F Hex)	B (A/F Hex)	C	D	E	F	
<b>FM26122212</b>	FM.26 122 212	1/4	0.5 - 4.5	350	32	29	19	123	7	32	0.4
<b>FM26122312</b>	FM.26 122 312	1/4	1 - 9	350	32	29	19	123	7	32	0.4
<b>FM26222112</b>	FM.26 222 112	1/2	2 - 20	350	41	38	32	165.5	12.5	46	0.9
<b>FM26222212</b>	FM.26 222 212	1/2	5 - 46	350	41	38	32	165.5	12.5	46	0.9
<b>FM26322112</b>	FM.26 322 112	3/4	5 - 55	350	58	46	43	190	15	58	1.75
<b>FM26322212</b>	FM.26 322 212	3/4	10 - 110	350	58	46	43	190	15	58	1.75
<b>FM26122112</b>	FM.26 122 112	1/4	0.2 - 2.0	350	32	29	19	123	7	32	0.4
<b>FM26422112</b>	FM.26 422 112	1 1/4	20 - 180	210	For installation details for 1 1/4" flowmeters see next page						8.0
<b>FM26422212</b>	FM.26 422 212	1 1/4	30 - 270	210							8.0
<b>FM26422312</b>	FM.26 422 312	1 1/4	40 - 360	210							8.0

### Ordering Information - Water

#### Standard products table

Brass flowmeter for water		Ports BSP	Flow range (l/min)	Maximum pressure (bar)	Dimensions (mm)						Weight (kg)
Product number	Supersedes				A (A/F Hex)	B (A/F Hex)	C	D	E	F	
<b>FM26222122</b>	FM.26 222 122	1/2	2 - 20	350	41	38	32	165.5	12.5	46	0.9
<b>FM26222222</b>	FM.26 222 222	1/2	5 - 46	350	41	38	32	165.5	12.5	46	0.9
<b>FM26322122</b>	FM.26 322 122	3/4	5 - 55	350	58	46	43	190	15	58	1.75
<b>FM26322222</b>	FM.26 322 222	3/4	10 - 110	350	58	46	43	190	15	58	1.75
<b>FM26122122</b>	FM.26 122 122	1/4	0.2 - 2.0	350	32	29	19	123	7	32	0.4
<b>FM26122222</b>	FM.26 122 222	1/4	0.5 - 4.5	350	32	29	19	123	7	32	0.4
<b>FM26122322</b>	FM.26 122 322	1/4	1 - 9	350	32	29	19	123	7	32	0.4
<b>FM26422122</b>	FM.26 422 122	1 1/4	20 - 180	210	For installation details for 1 1/4" flowmeters see next page						8.0
<b>FM26422222</b>	FM.26 422 222	1 1/4	30 - 270	210							8.0
<b>FM26422322</b>	FM.26 422 322	1 1/4	40 - 360	210							8.0

Note 1: Part numbers featured with bold highlighted codes will ensure a 'standard' product selection.

Note 2: Alternate displayed part number selection will require you to contact Parker Filtration for availability.





# Flowline - Oil and Water Calibrated Flowmeters (Stainless Steel)

## Flowmeters

### Features & Benefits



- For flow measurement of corrosive or chemical media or in harsh locations.
- Manufactured in stainless steel 316.
- Works in any plane.
- Pressure up to 350 bar (5000 psi).
- Flows up to 360 l/min.
- Accuracy  $\pm 5\%$  FSD.
- Repeatability  $\pm 1\%$  FSD.
- Direct reading.
- Oil or water calibrated.
- Optional reed switch upgrade.

**1 1/4" BSP option**  
(1/4", 1/2" and 3/4" on previous page)

### Specification

**Construction:**  
Stainless steel to BS 970 316S.

**Maximum working pressure:**  
Up to 350 bar.

**Minimum working pressure:**  
1 bar.

**Temperature range:**  
-20°C to +105°C.

**Calibration:**  
Oil Specific gravity  
0.856 at 20°C.  
Water Specific gravity  
1.0 at 20°C.

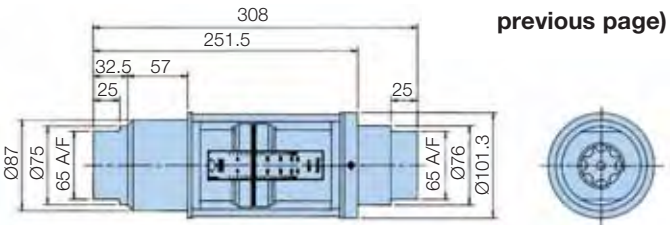
**Viscosity range:**  
10 to 200 cSt (oil).

**Accuracy:**  
 $\pm 5\%$  FSD.

**Repeatability:**  
 $\pm 1\%$  FSD.

**Min. scale reading:**  
10% FSD.

**Connections:**  
BSP parallel threads.



**Wetted parts:**  
Body, thread adaptor

**Piston, etc: cone locknut:**  
Stainless Steel.

**Flow cone:**  
BS 970 316S 16.

**Magnet encapsulation:**  
Stainless steel BS970/1:1991.  
:316S31.

**Spring:**  
Stainless steel to BS 2056 EN 58J.

**Seal:**  
Fluoroelastomer.

Note: To add an electrically operated reed switch to your flowmeter please order B26307

### Ordering Information - Oil

#### Standard products table

Stainless steel flowmeter for oil					Dimensions (mm)						Weight (kg)
Product number	Supersedes	Ports BSP	Flow range (l/min)	Maximum pressure (bar)	A (A/F Hex)	B (A/F Hex)	C	D	E	F	
<b>FM26232112</b>	FM.26 232 112	1/2	2 - 20	350	41	38	32	165.5	12.5	46	0.9
<b>FM26332112</b>	FM.26 332 112	3/4	5 - 55	350	58	46	43	190	15	58	1.75
<b>FM26332212</b>	FM.26 332 212	3/4	10 - 110	350	58	46	43	190	15	58	1.75
<b>FM26132112</b>	FM.26 132 112	1/4	0.2 - 2.0	350	32	29	19	123	7	32	0.4
<b>FM26132212</b>	FM.26 132 212	1/4	0.5 - 4.5	350	32	29	19	123	7	32	0.4
<b>FM26132312</b>	FM.26 132 312	1/4	1 - 9	350	32	29	19	123	7	32	0.4
<b>FM26232212</b>	FM.26 232 212	1/2	5 - 46	350	41	38	32	165.5	12.5	46	0.9
<b>FM26432112</b>	FM.26 432 112	1 1/4	20 - 180	350	For intallation details for 1 1/4 flowmeters see above					8.0	
<b>FM26432212</b>	FM.26 432 212	1 1/4	30 - 270	350						8.0	
<b>FM26432312</b>	FM.26 432 312	1 1/4	40 - 360	350						8.0	

### Ordering Information - Water

#### Standard products table

Stainless steel flowmeter for water					Dimensions (mm)						Weight (kg)
Product number	Supersedes	Ports BSP	Flow range (l/min)	Maximum pressure (bar)	A (A/F Hex)	B (A/F Hex)	C	D	E	F	
<b>FM26132122</b>	FM.26 132 122	1/4	0.2 - 2.0	350	32	29	19	123	7	32	0.4
<b>FM26132222</b>	FM.26 132 222	1/4	0.5 - 4.5	350	32	29	19	123	7	32	0.4
<b>FM26132322</b>	FM.26 132 322	1/4	1 - 9	350	32	29	19	123	7	32	0.4
<b>FM26232122</b>	FM.26 232 122	1/2	2 - 20	350	41	38	32	165.5	12.5	46	0.9
<b>FM26232222</b>	FM.26 232 222	1/2	5 - 46	350	41	38	32	165.5	12.5	46	0.9
<b>FM26332122</b>	FM.26 332 122	3/4	5 - 55	350	58	46	43	190	15	58	1.75
<b>FM26332222</b>	FM.26 332 222	3/4	10 - 110	350	58	46	43	190	15	58	1.75
<b>FM26432122</b>	FM.26 432 122	1 1/4	20 - 180	350	For intallation details for 1 1/4 flowmeters see above					8.0	
<b>FM26432222</b>	FM.26 432 222	1 1/4	30 - 270	350						8.0	
<b>FM26432322</b>	FM.26 432 322	1 1/4	40 - 360	350						8.0	

Note 1: Part numbers featured with bold highlighted codes will ensure a 'standard' product selection.

Note 2: Alternate displayed part number selection will require you to contact Parker Filtration for availability.



# Flowline - Flowswitches

## Flowmeters

### Features & Benefits



- ‘Boxed’ two-switch type.
- Intrinsically safe versions (supplied complete with flowmeter).
- Maximum/minimum switching models.
- Maximum working pressure 350 bar. (min 1 bar)
- Flows from 2.0 to 110 l/min.
- Stainless steel – suitable for corrosive fluids.
- Stainless steel to BS970 316516.

### Ordering Information

To order the required switching unit, simply add the appropriate prefix before the part numbers shown below.

#### Standard products table

Product number	Supersedes	Description	Switch Range (Typical)
<b>FS643222112</b>	FS.643 222 112	2 switches, 2 - 20 l/min (1/2 BSP) Oil	2 -12 l/min and 10-20 l/min
<b>FS643222212</b>	FS.643 222 212	2 switches, 5 - 46 l/min (1/2 BSP) Oil	6-24 l/m and 20-46 l/m
<b>FS643322112</b>	FS.643 322 112	2 switches, 5 - 55 l/min (3/4 BSP) Oil	5-30 l/min and 30-55 l/min
<b>FS643322212</b>	FS.643 322 212	2 switches, 10 - 110 l/min (3/4 BSP) Oil	10-50 l/min and 50-110 l/min

#### Product configurator

Brass flowswitch for oil or water		Flow range and (port size)		Fluid type		Switch Range (Typical)
Product number						
<b>FS643</b>	2 switches	<b>2221</b>	2 - 20 l/min (1/2 BSP)	<b>12</b>	Oil	2 -12 l/min and 10-20 l/min
FS67A	Intrinsically safe high switch	<b>2222</b>	5 - 46 l/min (1/2 BSP)	22	Water	20-24 l/m
FS67B	Intrinsically safe low switch	<b>3221</b>	5 - 55 l/min (3/4 BSP)			5-30 l/min
FS67C	Intrinsically safe hi/low switch	<b>3222</b>	10 - 110 l/min (3/4 BSP)			10-50 l/min and 50-110 l/min

#### Product configurator

Stainless steel flowswitch for oil or water		Flow range and (port size)		Fluid type		Switch Range (Typical)
Product number						
<b>FS643</b>	2 switches	<b>2321</b>	2 - 20 l/min (1/2 BSP)	<b>12</b>	Oil	2 -12 l/min and 10-20 l/min
FS67A	Intrinsically safe high switch	<b>2322</b>	5 - 46 l/min (1/2 BSP)	<b>22</b>	Water	24-46 l/m
FS67B	Intrinsically safe low switch	<b>3321</b>	5 - 55 l/min (3/4 BSP)			5-30 l/min
FS67C	Intrinsically safe hi/low switch	<b>3322</b>	10 - 110 l/min (3/4 BSP)			10-50 l/min and 50-110 l/min

#### Ordering example

Product number	Supersedes
<b>FS64332212</b>	<b>FS.643 332 212</b>

Note 1: Part numbers featured with bold highlighted codes will ensure a 'standard' product selection.

Note 2: Alternate displayed part number selection will require you to contact Parker Filtration for availability.

# Hydraulic Test Equipment

## Flowmeters

### Features & Benefits



- Speedy diagnosis of hydraulic circuit faults.
- Flows ranging from 2 to 360 l/min.
- Measuring flow, pressure and temperature.
- Fully Portable – No power source required.
- Hydrotrac unit for flows from 2 to 110 l/min available.
- Designed for oil applications only.

### Specification

**Flow range:**

2 to 360 l/min.

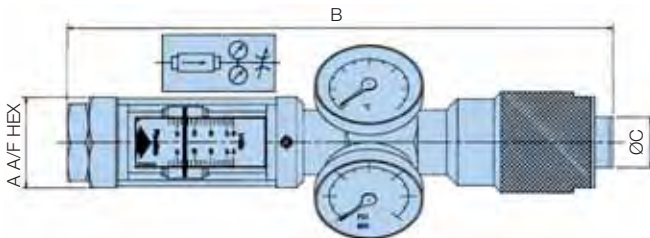
**Pressure range:**

1 to 350 bar.

**Temperature range:**

0°C to +90°C.

### Installation Details



### Safety

An axial flow restrictor valve is fitted which can be adjusted under full load from open to fully closed<sup>1</sup>, and to complete the specification, a safety blow-out disc, set to fail at 455 bar is fitted to the manifold in a position facing away from the operator when reading the gauges normally. Two spare blow-out discs are supplied which are easily replaced by removing the hexagonal plug on the gauge manifold.

Additional blow out discs can be ordered - 41203B (Bag of 10)

### Ordering Information

#### Standard products table

Product number	Flow range (l/min)	Weight Kg (with case)	Dimensions (mm)		
			A	B	C
<b>4121</b>	10 - 110	7.4	46	350	35
<b>4120</b>	5 - 55	7.4	46	350	35
<b>4123</b>	2 - 110	11.8	46	350	35
<b>4168</b>	20 - 180	13.85	75	496	87
<b>4169</b>	30 - 270	13.85	75	496	87
<b>4170</b>	40 - 360	13.85	75	496	87
<b>Part number</b>	<b>Supersedes</b>	<b>Description</b>			
<b>41203B</b>	4120.3.B	Safety blow out discs x 10			

Note 1: Part numbers featured with bold highlighted codes will ensure a 'standard' product selection.

Note 2: Alternate displayed part number selection will require you to contact Parker Filtration for availability.

Note 3: 4123 'Hydrotrac' unit features 2 flowmeters (2 - 20 and 10 - 110 l/min) and 1 pressure gauge and 1 thermometer.

### Troubleshooting Test Units

Hydraulic Test Units are designed specifically for the speedy diagnosis of hydraulic circuit faults in mobile, marine and industrial systems using the normal range of mineral oils. Their rugged construction based mainly on mild steel, manganese bronze and acrylic materials makes them ideally suited for arduous use in the field.

Each unit is supplied in a convenient carrying case providing full protection and additional storage space for fittings. Because they need no power source such as batteries etc, they are always ready for instant use.

6 models are available to cover flow capacities up to 360 l/min and each incorporates a direct reading, uni-directional flow meter. The meter, which is both self cleaning and reasonably tolerant of contaminated fluids is coupled to a manifold that houses a glycerine-filled pressure gauge calibrated 0 to 350 bar and a dial-type thermometer with a 0°C to 100°C range.

Unit can only operate up to 90°C.

For further convenience the scale on the flow meter can be rotated to ensure visibility in any situation and the installed attitude of the assembly is not critical, though whenever possible the unit should be mounted with pressure gauge vertical and gauge case relief valve uppermost. The unit is designed for flow to be in the direction of the arrow on the flowmeter scale and must not be installed with the flow reversed.

<sup>1</sup> Note: Permissible allowed seepage <50ml/min at 350 bar (5076 psi)

# Flow Products - For Compressed Air Applications

## Flowmeters & Monitors

### Features & Benefits



#### (A) Flowline Flowswitches and Flowmeters

- Calibrated for direct reading of compressed air at 7 bar.
- Works in any plane.
- Brass or stainless steel models available in 4 sizes.
- Calibrated at 7 bar and 20°C.
- Flow ranges from 2 to 600 SCFM.
- Pressure 1-41 bar max.
- Optional reed switch upgrade.

#### (B) Loflow Air Flowmeters

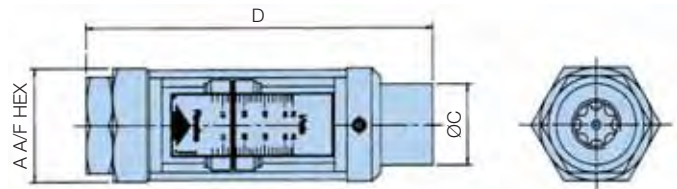
- Flow measurement from 1.1 to 720 l/min. Max 10 bar rating.

#### (C) Compressed Air Test Equipment

- 6 models available – 1/4", 3/4" and 1 1/4" BSP.
- Air flow range 2 to 600 SCFM.
- Pressure 1-41 bar max.

### Specification

Full technical specifications for the Flowmeter, Flowswitch, LoFlow and test equipment products are provided in the respective pages for these products.



Note: To add an electrically operated reed switch to your flowmeter please order B.26307

### Ordering Information

#### Standard products table

Brass flowmeter for air		Ports BSP	Flow range		Maximum working pressure (bar)
Product number	Supersedes		SCFM	l/sec	
FM26123332	FM.26 123 332	1/4	2 - 20	1 - 10	41
FM26223132	FM.26 223 132	1/2	5 - 50	2 - 25	41
FM26223232	FM.26 223 232	1/2	10 - 110	5 - 50	41
FM26323132	FM.26 323 132	3/4	15 - 125	6 - 60	41
FM26323232	FM.26 323 232	3/4	20 - 225	10 - 100	41
FM26423132	FM.26 423 132	1 1/4	40 - 400	20 - 200	25
FM26423232	FM.26 423 232	1 1/4	60 - 600	30 - 300	25

#### Standard products table - LoFlow

Product number	Supersedes	Ports (BSPT male)	Flow range	Float material
LF801450	LF.3007E	1/4 - 3/4	1.1 - 8.0 l/min	Acetal
LF802455	LF.3050E	3/4 - 3/4	10 - 50 l/min	Acetal
LF802452	LF.3135E	3/4 - 3/4	20 - 135 l/min	Acetal
LF802454	LF.3720E	3/4 - 3/4	2 - 12 l/sec	S/Steel
LF801451	LF.3021E	1/4 - 3/4	4 - 22 l/min	S/Steel
LF802453	LF.3330E	3/4 - 3/4	1.0 - 5.5 l/sec	S/Steel

#### Standard products table

Stainless steel flowmeter for air		Ports BSP	Flow range		Maximum working pressure (bar)
Product number	Supersedes		SCFM	l/sec	
FM26133332	FM.26 133 332	1/4	2 - 20	1 - 10	41
FM26233132	FM.26 233 132	1/2	5 - 50	2 - 25	41
FM26233232	FM.26 233 232	1/2	10 - 110	5 - 50	41
FM26333132	FM.26 333 132	3/4	15 - 125	6 - 60	41
FM26333232	FM.26 333 232	3/4	20 - 225	10 - 100	41
FM26433132	FM.26 433 132	1 1/4	40 - 400	20 - 200	41
FM26433232	FM.26 433 232	1 1/4	60 - 600	30 - 300	41

#### Product configurator

Brass flowswitch for air		Ports (BSP)	Fluid type
Product number	Flow range SCFM and (l/sec)		
FS643	2 switches	1/2	32 Air
FS67A	Intrinsically safe high switch	1/2	
FS67B	Intrinsically safe low switch	3/4	
		3/4	

#### Ordering example

Product number	Supersedes
FS643323232	FS.643 323 232

Note 1: Part numbers featured with bold highlighted codes will ensure a 'standard' product selection.

Note 2: Alternate displayed part number selection will require you to contact Parker Filtration for availability.



# Guide to Contamination Control

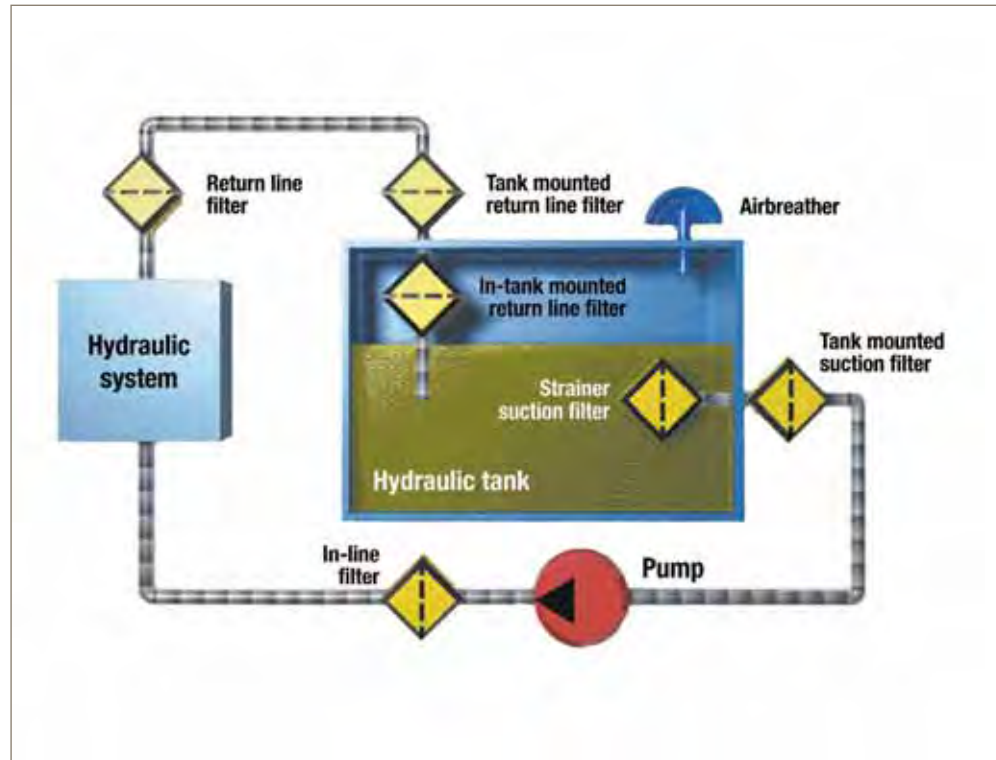
Understanding and Answering the Threat of Contamination



## Reduce downtime with effective contamination monitoring

### Understanding and answering the threat of contamination

Understanding the significance that solid and liquid contamination can play in undermining the efficiency and effectiveness of hydraulic oils is a complex subject but one that has some basic components and solutions as to how to monitor, measure and ultimately remove any particulate from a system. Parker Filtration can offer many years of experience on this subject.



## Contact Information:

Parker Hannifin  
**Hydraulic Filter Division Europe**

**European Product Information Centre**  
Freephone: 00800 27 27 5374  
(from AT, BE, CH, CZ, DE, EE, ES, FI, FR, IE, IT, PT, SE, SK, UK)  
filtrationinfo@parker.com

www.parkerhfde.com

## Product Features:

- Examples and explanations of ISO contamination levels.
- Solid contamination codes charted.
- Condition monitoring equipment explained.
- Degree of filtration overview

# Guide to Contamination Control

## Understanding and Answering the Threat of Contamination

### The Threat of Contamination

Industry requirements with regard to hydraulic and oil lubrication systems emphasise reliability, long lifetime and reduced energy use. Depending on the circumstances, some 70 - 80% of system failures are due to contamination. Cleanliness monitoring is essential in contamination control, as is selecting the right filter components. The first step, however, is understanding the specific system requirements and local operating conditions.

#### This guide to contamination control describes:

- Types of failures
- Sources of contamination
- Fluid cleanliness level
- Condition monitoring equipment
- Cleanliness service
- Filtration: parameters and facts
- Filter selection and filter types

### Types of Failures

Component failure is often an invisible process. In general three types of failure can be distinguished:

#### 1. Catastrophic Failures

This failure occurs suddenly and without warning; it is of a permanent nature. It is often caused by larger sized particles entering a component and obstructing the relative movement between surfaces, resulting in seizure of the component.

#### 2. Transient Failures

Generally speaking, this type of failure is short-lived and goes unnoticed, although the consequences rarely do. It is caused by particles that momentarily interfere with the function of a component. The particles lodge in a critical clearance between matching parts, only to be washed away during the next operation cycle. As a result, components become less predictable and thus unsafe.

#### 3. Degradation Failures

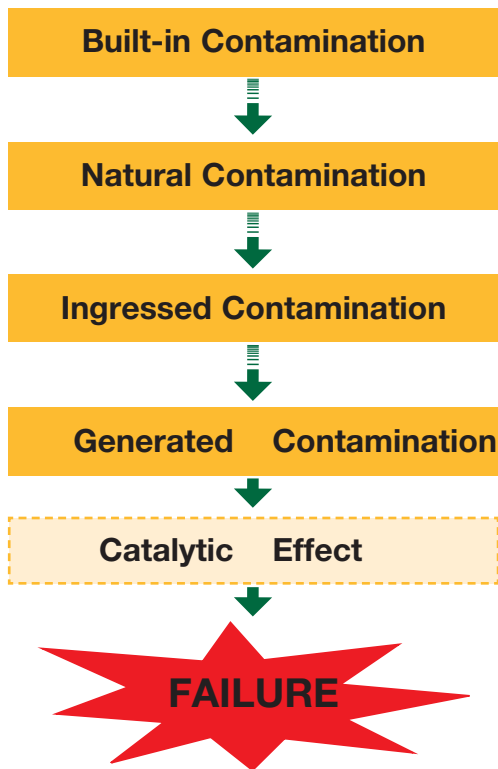
Gradual deterioration in the performance of a component results in its eventual repair or replacement. This failure is caused by the effect of wear induced by contamination. Additional generated contamination can lead to a catastrophic failure. Failures or reduced system performance have a direct impact on the cost of ownership, the efficiency rate and the perceived quality perception of the end users.



# Sources of Contamination

## Finding the balance

What does it take to implement system-matched filtration? A review of the sources of contamination is the first step in finding the balance between the performance of the filtration system and the system demands.



## Sources of Contamination

Several sources of contamination must be taken into account when it comes to the effective implementation of system-matched filtration. Without adequate filtration, the protection of the system is jeopardised and component or system failure is imminent. System-matched filtration changes the deterioration into a balanced situation, representing the continuously controlled process that is needed to achieve system reliability. Realising this is only possible when the required fluid cleanliness levels are maintained.

### 1. Built-in Contamination

Residual contamination from the manufacturing and assembly processes cannot be avoided. Examples are machining debris, weld spatters, casting sand, paint, pipe sealant or fibres from cleaning rags. Flushing system components prior to assembly and decent housekeeping during the various stages of the assembly process are a must to reduce the amount of built-in contamination.



Filter media pleating

### 2. Natural Contamination

In general, the cleanliness level of new oil does not always meet the requirements of the system. Despite the efforts to control the fluid cleanliness level during the production processes, transport and distribution may contaminate the oil. Depending on the requirements for system cleanliness, we advise that you filter new oil before usage.

### 3. Ingressed Contamination

Systems are always under attack from contamination. Unfortunately it is not possible to avoid ingress contamination. Air breathers, cylinder rod seals, wiper seals, component seals or poorly fitted covers are a few examples of system parts that may have an important influence on the amount of ingress contamination.

### 4. Generated Contamination

Particles generate particles. This phenomenon is known as abrasion. Other processes like cavitation, corrosion, erosion, fatigue and metallic contact between moving parts generates particles and thus influences the contamination that is already present in the system. Even though these processes cannot always be avoided, their impact is strongly influenced by effective filtration.

### 5. Catalytic Effect

During the filter selection process, attention is generally given to the removal of solid, hard-type contamination only. The performance of hydraulic and lubrication fluids is influenced by the catalytic effect. As a result of the catalytic effect, the lifetime of the oil is significantly reduced.

# Guide to Contamination Control

## Understanding and Answering the Threat of Contamination

### Lifetime of Oil

#### Selecting the Right Oil

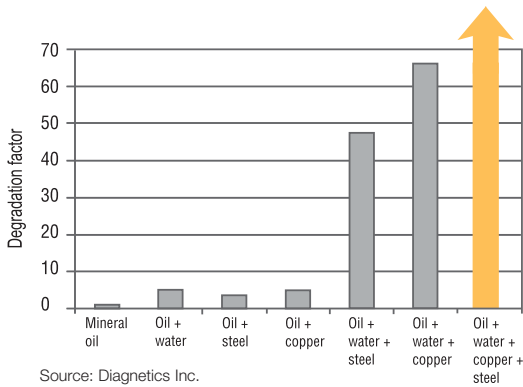
Oils are selected based on their unique performance with regard to:

- a. Energy transfer
- b. Corrosion protection
- c. Cooling (transfer of heat)
- d. Lubrication

The lifetime of oils is influenced by the amount of oxygen, oil temperature, water content and presence of catalyser type elements. The allowed water content varies for each type of oil. Due to, for example, seal leakage or condensation, the water content can easily reach concentrations far above the allowed water content value. The combination of water and wear elements like iron or copper causes a catalytic effect and as a result, reduces the lifetime of the oil. The lifetime of oil is also influenced by the amount of generated static electrics.

#### Lifetime Reduction

The lifetime reduction of oil is expressed by the degradation factor. The influence of the catalytic effect of the degradation factor is shown below.



Oil degradation can reduce the protection against corrosion and lubrication performance.

Regular oil analysis is important to monitor the condition of the hydraulic or lubrication fluid. This analysis is also used to obtain information related to the process of selecting system-matched filter components.

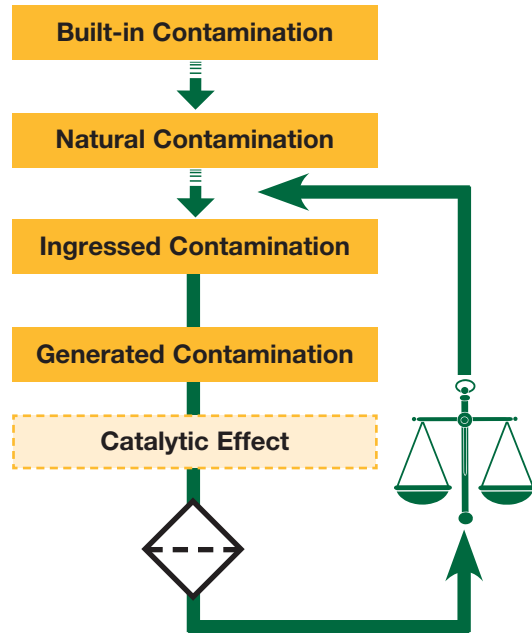


Tanktopper II return line filter with integrated air breather and patented LEIF® element



### The Balance between System Requirements and Filtration System Performance

Parker's philosophy exceeds the traditional approach of protecting the system by means of filtration.



System-matched filtration is not limited to a filter alone. The process of system-matched filtration is based on the correct implementation of suitable filtration products, taking into account the requirements from the hydraulic or lubrication fluids, system components and customer expectations.

#### Contamination Control

Achieving the required system protection implicates a correct understanding of the system. Today filters are selected based on several parameters like  $\beta$ -values, pressure drop and dirt holding capacity.

Filtration is built-in safety, meant to achieve and maintain the required fluid cleanliness level during a defined period. This implicates a more detailed approach, which can only be realised when several filtration parameters are considered.

#### Before Filtration



#### After Filtration

**Parker Hannifin**  
Hydraulic Filter Division Europe  
FDHB500UK.

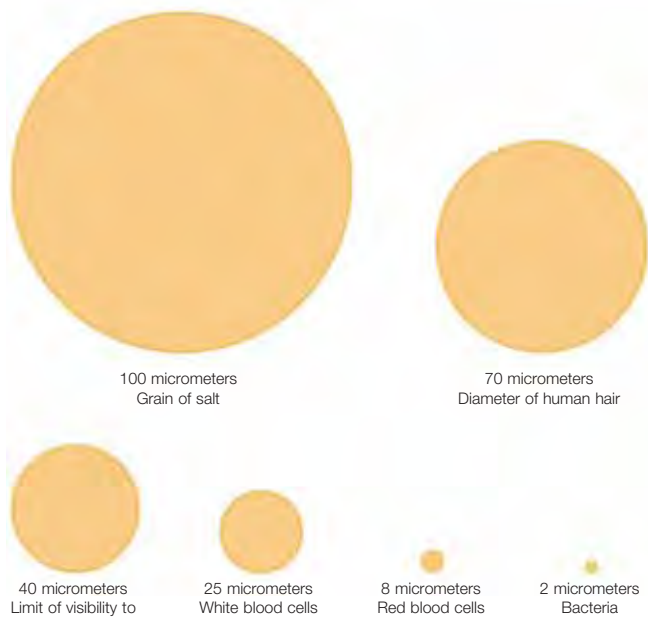


## Contamination & Cleanliness Level

### Sizes of Contamination

Filters are selected to capture contamination from hydraulic and lubrication fluids.

Contamination is an invisible enemy. The human eye cannot see particles smaller than 40 micron. For the correct understanding a comparison is given below.



Component	Microns
Anti-friction bearings	0.5
Vane pump (vane tip to other ring)	0.5 - 1
Gear pump (gear to side plate)	0.5 - 5
Servo valves (spool to sleeve)	1 - 4
Hydrostatic bearings	1 - 25
Piston pump (piston to bore)	5 - 40
Servo valves flapper wall	18 - 63
Actuators	50 - 250
Servo valve orifice	130 - 450

Typical hydraulic component clearances are given as an indication only

### Fluid Cleanliness Level

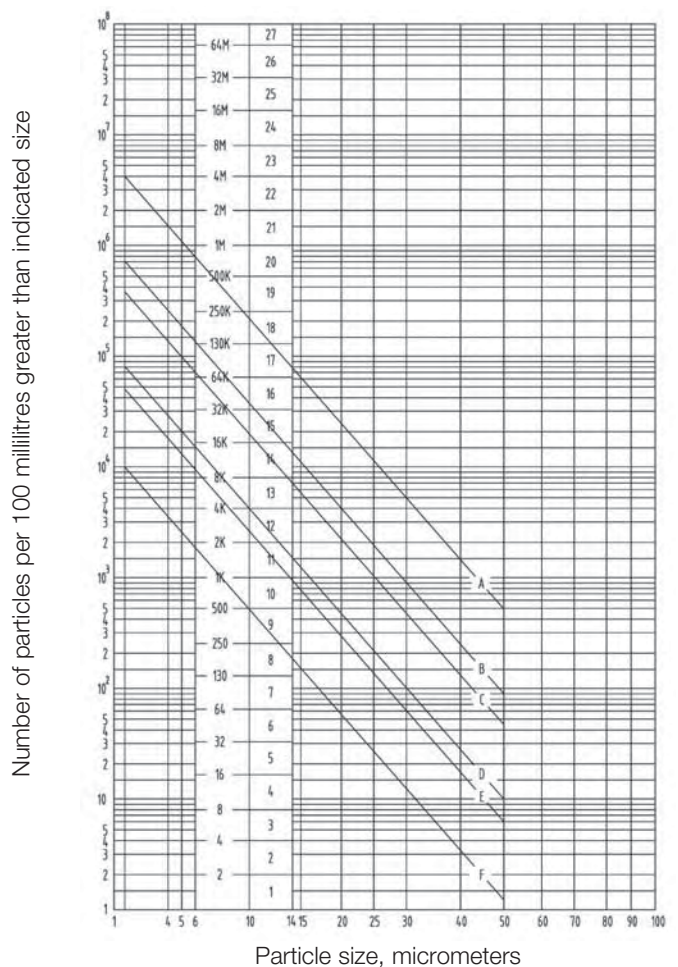
The ISO 4406:1999 standard is an important code to define the fluid cleanliness level using a solid contamination code.

This ISO code is determined by allocating a first scale number to the total number of particles larger than 4µm, allocating a second scale number to all particles larger than 6µm and allocating a third scale number to the total number of particles larger than 14µm.

In the recent past, the fluid cleanliness level code was determined using the ISO 4406:1987 standard. Instead of counting particles sizes 4, 6 and 14µm, the fluid cleanliness level was determined by counting particles larger than 5 and 15µm. The particle size 2µm was added later.

As a result of upgrading the ISO standards, new particle sizes have been defined. In general, the fluid cleanliness code will not change as a result of this new standard. Built-up historic data remains directly comparable to new data.

### ISO 4406:1999 cleanliness classes



# Guide to Contamination Control

## Understanding and Answering the Threat of Contamination

### Cleanliness Level

Examples of cleanliness level are given in the ISO graph. These lines represent:

- A. Low-pressure systems (code 21/20/17)
- B. Low-pressure control systems (code 19/18/14)
- C. Sophisticated pumps/motors control valves (code 18/17/13)
- D. Highly sophisticated systems and hydrostatic transmissions (code 16/15/11)
- E. Sensitive servo systems (code 15/14/10)
- F. High performance sensitive systems (code 12/11/8)

We recommend verifying the required cleanliness level based on the components used for the system. Manufacturers of system components often provide information related to the required fluid cleanliness level for their products.

### Condition Monitoring Equipment

Over the years, fluid condition monitoring has become increasingly important. By offering system-matched filtration solutions, the stringent customer demands related to extended component lifetime or improved system reliability can be met. Parker has developed a complete range of instruments and components for maintenance programmes and local fluid condition analysis such as the LaserCM below.



Parker’s particle counters are well known for their accurate performance in the field or in a production line environment. Lightweight portable particle counters can be used for temporary fluid cleanliness measurements.

The MCM20, designed for permanent installation, is meant for continuous fluid monitoring. The compact MS100 and MS150 moisture sensor together with the H2Oil means a complete solution is available to measure the water content in hydraulic or lubrication fluids.

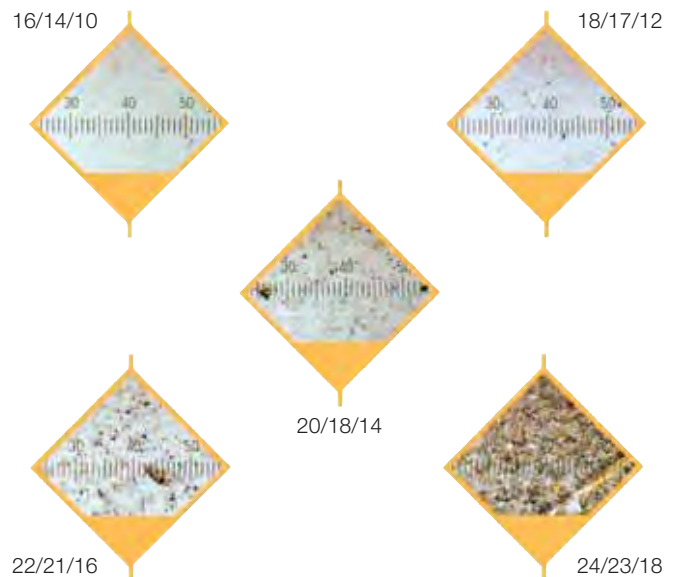
### Solid Contaminant Codes

In addition to ISO 4406: 1999, other standards are used to express the fluid cleanliness level. A comparison between the codes is given below.

ISO 4406: 1999	ISO 4406: 1987	NAS 1638 CLASS
13/11/8	11/8	2
14/12/9	12/9	3
15/13/10	13/10	4
16/14/9	14/9	-
16/15/11	14/10	5
17/15/9	15/9	-
17/15/10	15/10	-
17/15/12	15/12	6
18/16/10	16/10	-
18/16/11	16/11	-
18/16/13	16/13	7
19/17/12	17/12	-
19/17/14	17/14	8
20/18/12	18/12	-
20/18/13	18/13	-
20/18/15	18/15	9
21/19/13	19/13	-
21/19/16	19/16	10
22/20/13	20/13	-
22/20/17	20/17	11

Note:  
 ISO 4406: 1987 is based on particle sizes larger than 5 and 15µm  
 ISO 4406: 1999 is based on particles sizes larger than 4, 6 and 14µm

### Several Cleanliness Levels



## Cleanliness Service

### Cleanliness Service to Prevent Failures

As Parker has no financial interest in the oil industry, the company can operate as an independent laboratory. The development laboratory at Parker Filtration BV in Arnhem - the only laboratory of its kind in Belgium, the Netherlands and Luxembourg - has at its disposal all the facilities for its extensive R & D department. In addition, the services are offered on a commercial basis to third parties.

### Equipment

The laboratory uses state-of-the-art test equipment. The company has invested in the latest Karl Fischer coulometric equipment, that prevents tests from being influenced by, among other things, additives in the oil. The particle-counting equipment is calibrated according to the recent ISO 11171 standard. It is now possible to indicate the measured cleanliness according to ISO 4406:1999.

### Standard Test

The high-quality standard test, carried out in Parker's laboratory, consists of a water analysis and a cleanliness calculation according to ISO 4406, the new ISO 4406:1999 and the NAS 1638 standard, as part of which particles from 2 to 100µm are measured and reported. Membrane research and digital photography of the membrane are also part of the standard test. The results of each test are described in a report that contains clear conclusions. It is also possible to conduct a spectral analysis.

### In Practice

How do the laboratory services work? Only three days after receipt of the oil sample, the standard analysis is completed. The results of a spectral analysis are known after seven days. The reports can be sent directly and completely by e-mail. A free sample bottle is available upon request.

### Filtration: Parameters and Facts

Generally speaking, fibre-type materials like cellulose and glass fibre are applied for hydraulic and lubrication fluid filtration. Filters are selected based on the following parameters:

- Required protection of system components
- Location of filter(s) in the system
- Flow rate and allowed pressure loss
- Desired filter element life time
- Hydraulic or lubrication fluid type

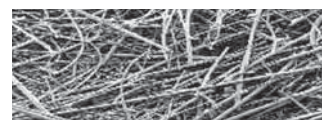
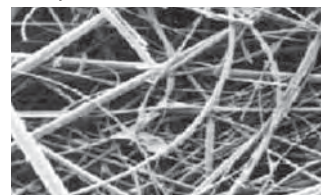
The dirt holding capacity is the amount of solid contamination a filter can hold before the filter material is plugged. This value is measured in accordance to ISO 16889 using ISO MTD test dust. The filter element lifetime strongly depends on the contamination conditions that are present in the system and its environment.

Predicting the filter element lifetime in the system is complicated, because of the variety in contamination (e.g. metal, sand and fibres, each with a certain distribution of particle sizes) in relation to the specified dirt holding capacity.

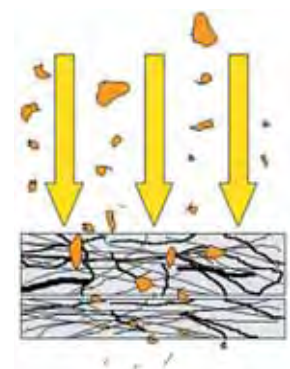
### Degree of Filtration

Parker's filtration philosophy is based on the optimum distribution of several particle sizes by using the complete thickness of glass fibre layers.

Pre-layer



Main layer



Each selected filter layer has a unique performance for the removal of solid contamination. System-matched filtration implicates the removal of harmful particles. For some systems an improved removal efficiency for smaller sized particles is more important compared to other systems using components. The combination of pre- and main layers results in an achievable fluid cleanliness level. The complete package of filter and support layers is indicated as pleat pack.

# Guide to Contamination Control

## Understanding and Answering the Threat of Contamination

### Degree of Filtration

The  $\beta$ -value is used to express the removal efficiency for a defined particle size.



$$\beta(x) = \frac{N \text{ particles upstream } > x \mu\text{m}}{N \text{ particles downstream } > x \mu\text{m}}$$

The ISO 4572 standard formerly required only the  $\beta_{x>75}$  value. That standard has now been upgraded and replaced by ISO 16889, reporting the  $\beta$ -value of 2, 10, 75, 100, 200 and 1000 for each filter medium or pleat pack. The corresponding efficiencies are given below.

$\beta$ -value	2	10	75	100	200	1000
Efficiency	50,00%	90,00%	98,67%	99,00%	99,50%	99,99%

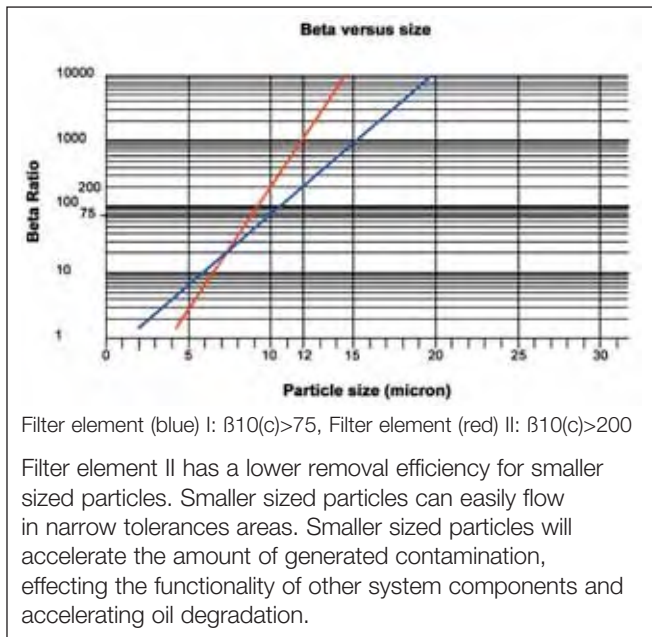
Taking into account a  $\beta_{75(c)>10}$  element, the removal efficiency is 98.67% of particles larger than 10 micron.

Too often filter elements are compared by looking at one  $\beta$ -value only. The focus on high  $\beta$ -values is misleading and does not always provide the required information.

Comparison $\beta$ -value	Filter element I	Filter element II
Beta-value	$\beta_{-75(c)>10}$	$\beta_{-200(c)>10}$
Number of particles at upstream of filter >10 micron	5,000,000	5,000,000
Removal efficiency	98,67%	99,50%
Number of particles at downstream of filter >10 micron	66,500	25,000

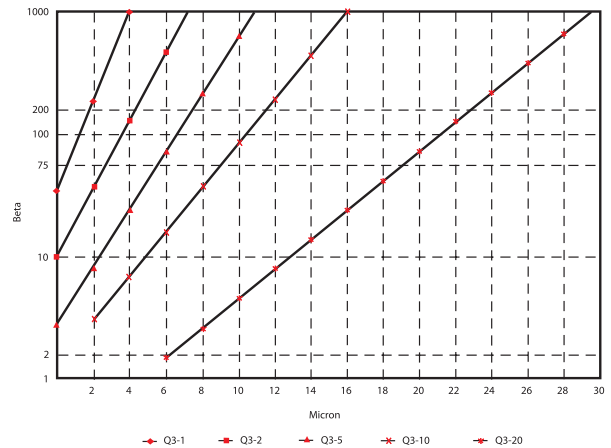
Statements that a  $\beta_{200}$  filter improves the fluid cleanliness level by a factor 2.6 (66,500/25,000) are misleading. Fluid cleanliness codes are based on several particle sizes. More information is needed to determine the overall removal performance of filter media.

A comparison between two 10-micron filter medias.



The overall removal efficiency of the element forms the core of fluid cleanliness levels

The correct degree of filtration is chosen based on the required fluid cleanliness level, not based on one  $\beta$ -value.



An indication of recommended fluid cleanliness levels is given in this table. It is common use in the industry that manufacturers of components prescribe required fluid cleanliness level for the reliable functioning of their products.

Components	ISO Code
Servo control valves	16/14/11
Proportional valves	17/15/12
Valve & piston pumps/motors	18/16/13
Directional & pressure control valves	18/16/13
Gear pumps/motors	19/17/14
Flow control valves	20/18/15
Cylinders	20/18/15

The ISO codes are indicative values only.



Filter media composition

## Flow Rate & Pressure Lost

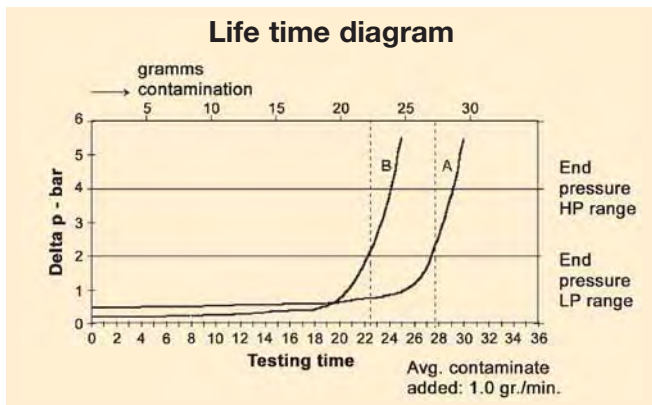
### Flow Rate and Allowable Pressure Lost

Each filter element is designed to handle a nominal flow rate. The allowed flow rate depends on fluid viscosity, degree of filtration, and the amount of pressure that is lost. Indirectly, the required element lifetime is an important parameter. A larger sized element with a more effective filter element area has a positive influence on the element lifetime.

Media	Degree of filtration	Upper range	Lower range
Q3	2	16/14/10	13/11/8
Q3	5	18/16/13	17/15/9
Q3	10	20/18/15	19/17/12
Q3	20	22/20/17	21/19/13

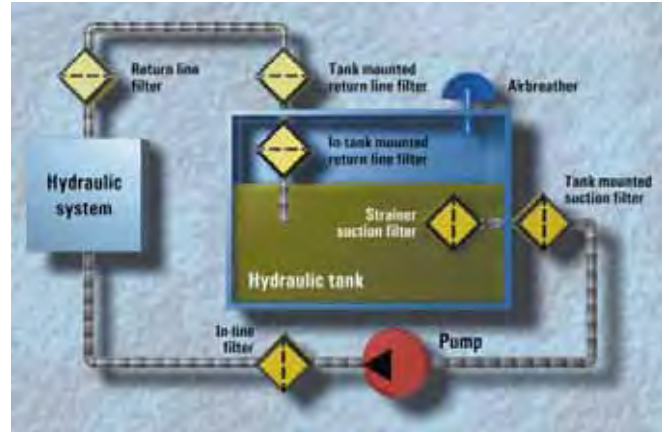
The given cleanliness levels are indicative values only, based on average values

Filter elements are chosen based on their initial clean element pressure drop. It is preferred to apply a ratio of at least three between element bypass settings and element initial pressure drops.



Comparing filter elements with different filter media based on the initial clean element pressure drop does not give a reliable indication of the element dirt holding capacity. In this example the filter media A has a higher initial pressure drop. However, during its lifetime the pressure lost is more constant compared to media B. This results in a longer element lifetime. The difference in performance is caused by a more effective distribution of captured particles in media A.

### Filter Types and Locations



Depending on the filter type and corresponding location, a general pressure lost recommendation can be given

**Suction Line:** 0.03-0.05 bar

**Pressure Line:** 1 bar

**Return Line:** 0.3-0.5 bar

**Suction Return Filter:** 1 bar





## Important Information



### WARNING-USER RESPONSIBILITY

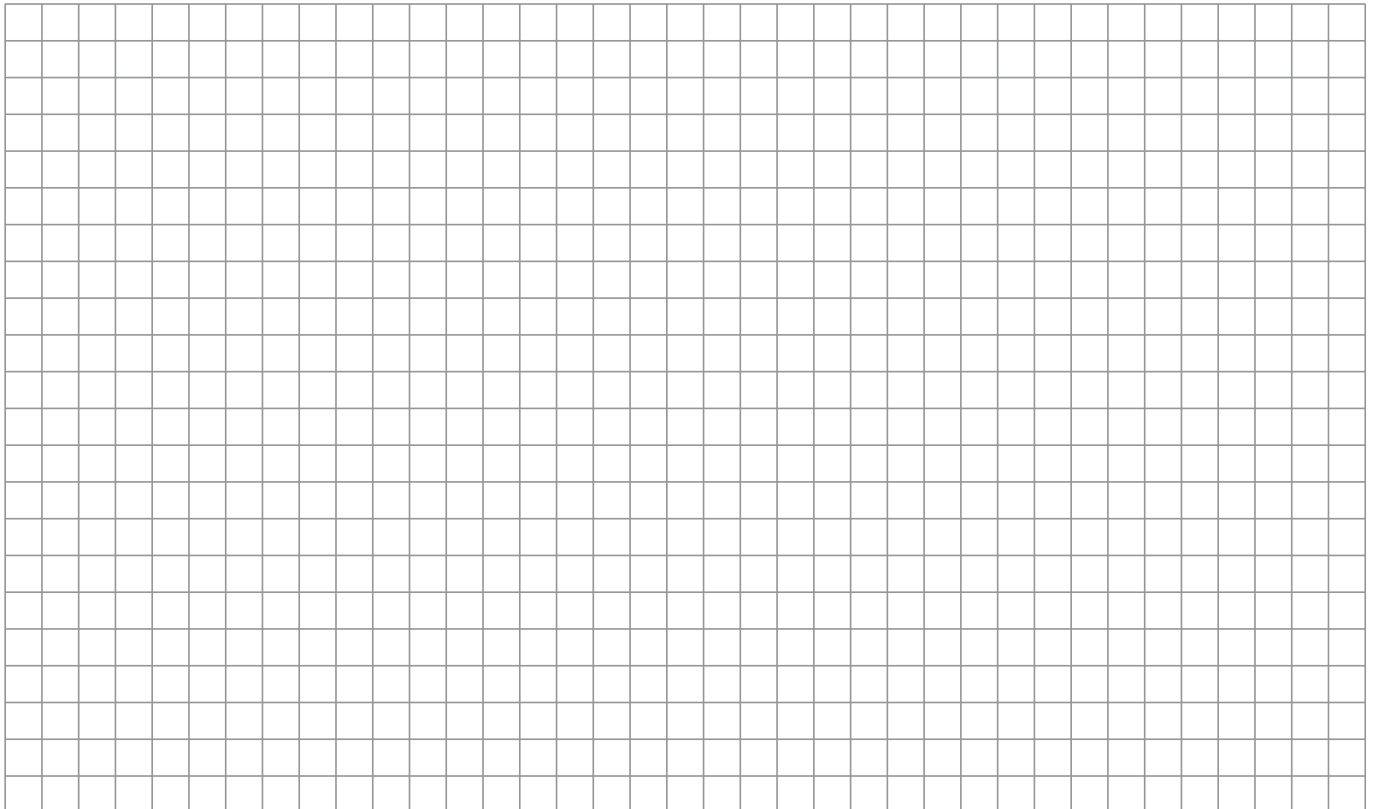
**FAILURE OR IMPROPER SELECTION OR IMPROPER USE OF THE PRODUCTS DESCRIBED HEREIN OR RELATED ITEMS CAN CAUSE DEATH, PERSONAL INJURY AND PROPERTY DAMAGE.**

- This document and other information from Parker-Hannifin Corporation, its subsidiaries and authorized distributors provide product or system options for further investigation by users having technical expertise.
- The user, through their own analysis and testing, is solely responsible for making the final selection of the system and components and assuring that all performance, endurance, maintenance, safety and warning requirements of the applications are met.  
  
The user must analyse all aspects of the application, follow applicable industry standards, and follow the information concerning the product in the current product catalogue and in any other materials provided from Parker or its subsidiaries or authorized distributors.
- To the extent that Parker or its subsidiaries or authorized distributors provide component or system options based upon data or specifications provided by the user, the user is responsible for determining that such data and specifications are suitable and sufficient for all applications and reasonably foreseeable uses of the components or systems.

The operation of the products described here in is subject to the operating and safety procedures details of which are available upon request.

#### Sales conditions

The items described in this document are available for sale by Parker Hannifin Corporation, its subsidiaries or its authorized distributors. Any sale contract entered into by Parker will be governed by the provisions stated in Parker's standard terms and conditions of sale (copy available upon request)





# Parker's Motion & Control Technologies

At Parker, we're guided by a relentless drive to help our customers become more productive and achieve higher levels of profitability by engineering the best systems for their requirements. It means looking at customer applications from many angles to find new ways to create value. Whatever the motion and control technology need, Parker has the experience, breadth of product and global reach to consistently deliver. No company knows more about motion and control technology than Parker. For further info call 00800 27 27 5374.



## AEROSPACE

### Key Markets

- Aircraft engines
- Business & general aviation
- Commercial transports
- Land-based weapons systems
- Military aircraft
- Missiles & launch vehicles
- Regional transports
- Unmanned aerial vehicles

### Key Products

- Flight control systems & components
- Fluid conveyance systems
- Fluid metering delivery & atomization devices
- Fuel systems & components
- Hydraulic systems & components
- Inert nitrogen generating systems
- Pneumatic systems & components
- Wheels & brakes



## CLIMATE CONTROL

### Key Markets

- Agriculture
- Air conditioning
- Food, beverage & dairy
- Life sciences & medical
- Precision cooling
- Processing
- Transportation

### Key Products

- CO<sup>2</sup> controls
- Electronic controllers
- Filter driers
- Hand shut-off valves
- Hose & fittings
- Pressure regulating valves
- Refrigerant distributors
- Safety relief valves
- Solenoid valves
- Thermostatic expansion valves



## ELECTROMECHANICAL

### Key Markets

- Aerospace
- Factory automation
- Food & beverage
- Life science & medical
- Machine tools
- Packaging machinery
- Paper machinery
- Plastics machinery & converting
- Primary metals
- Semiconductor & electronics
- Textile
- Wire & cable

### Key Products

- AC/DC drives & systems
- Electric actuators
- Controllers
- Gantry robots
- Gearheads
- Human machine interfaces
- Industrial PCs
- Inverters
- Linear motors, slides and stages
- Precision stages
- Stepper motors
- Servo motors, drives & controls
- Structural extrusions



## FILTRATION

### Key Markets

- Food & beverage
- Industrial machinery
- Life sciences
- Marine
- Mobile equipment
- Oil & gas
- Power generation
- Process
- Transportation

### Key Products

- Analytical gas generators
- Compressed air & gas filters
- Condition monitoring
- Engine air, fuel & oil filtration & systems
- Hydraulic, lubrication & coolant filters
- Process, chemical, water & microfiltration filters
- Nitrogen, hydrogen & zero air generators



## FLUID & GAS HANDLING

### Key Markets

- Aerospace
- Agriculture
- Bulk chemical handling
- Construction machinery
- Food & beverage
- Fuel & gas delivery
- Industrial machinery
- Mobile
- Oil & gas
- Transportation
- Welding

### Key Products

- Brass fittings & valves
- Diagnostic equipment
- Fluid conveyance systems
- Industrial hose
- PTFE & PFA hose, tubing & plastic fittings
- Rubber & thermoplastic hose & couplings
- Tube fittings & adapters
- Quick disconnects



## HYDRAULICS

### Key Markets

- Aerospace
- Aerial lift
- Agriculture
- Construction machinery
- Forestry
- Industrial machinery
- Mining
- Oil & gas
- Power generation & energy
- Truck hydraulics

### Key Products

- Diagnostic equipment
- Hydraulic cylinders
- Accumulators
- Hydraulic motors & pumps
- Hydraulic systems
- Hydraulic valves & controls
- Power take-offs
- Rubber & thermoplastic hose & couplings
- Tube fittings & adapters
- Quick disconnects



## PNEUMATICS

### Key Markets

- Aerospace
- Conveyor & material handling
- Factory automation
- Food & beverage
- Life science & medical
- Machine tools
- Packaging machinery
- Transportation & automotive

### Key Products

- Air preparation
- Compact cylinders
- Field bus valve systems
- Grippers
- Guided cylinders
- Manifolds
- Miniature fluidics
- Pneumatic accessories
- Pneumatic actuators & grippers
- Pneumatic valves and controls
- Rodless cylinders
- Rotary actuators
- Tie rod cylinders
- Vacuum generators, cups & sensors



## PROCESS CONTROL

### Key Markets

- Chemical & refining
- Food, beverage & dairy
- Medical & dental
- Microelectronics
- Oil & gas
- Power generation

### Key Products

- Analytical sample conditioning products & systems
- Fluoropolymer chemical delivery fittings, valves & pumps
- High purity gas delivery fittings, valves & regulators
- Instrumentation fittings, valves & regulators
- Medium pressure fittings & valves
- Process control manifolds



## SEALING & SHIELDING

### Key Markets

- Aerospace
- Chemical processing
- Consumer
- Energy, oil & gas
- Fluid power
- General industrial
- Information technology
- Life sciences
- Military
- Semiconductor
- Telecommunications
- Transportation

### Key Products

- Dynamic seals
- Elastomeric o-rings
- EMI shielding
- Extruded & precision-cut, fabricated elastomeric seals
- Homogeneous & inserted elastomeric shapes
- High temperature metal seals
- Metal & plastic retained composite seals
- Thermal management



ENGINEERING YOUR SUCCESS.

# Parker Worldwide

**AE – UAE, Dubai**  
Tel: +971 4 8127100  
parker.me@parker.com

**AR – Argentina, Buenos Aires**  
Tel: +54 3327 44 4129

**AT – Austria, Wiener Neustadt**  
Tel: +43 (0)2622 23501 900  
parker.austria@parker.com

**AT – Eastern Europe, Wiener Neustadt**  
Tel: +43 (0)2622 23501 900  
parker.easteurope@parker.com

**AU – Australia, Castle Hill**  
Tel: +61 (0)2-9634 7777

**AZ – Azerbaijan, Baku**  
Tel: +994 50 2233 458  
parker.azerbaijan@parker.com

**BE/LU – Belgium, Nivelles**  
Tel: +32 (0)67 280 900  
parker.belgium@parker.com

**BR – Brazil, Cachoeirinha RS**  
Tel: +55 51 3470 9144

**BY – Belarus, Minsk**  
Tel: +375 17 209 9399  
parker.belarus@parker.com

**CA – Canada, Milton, Ontario**  
Tel: +1 905 693 3000

**CH – Switzerland, Etoy**  
Tel: +41 (0) 21 821 02 30  
parker.switzerland@parker.com

**CL – Chile, Santiago**  
Tel: +56 2 623 1216

**CN – China, Shanghai**  
Tel: +86 21 2899 5000

**CZ – Czech Republic, Klecany**  
Tel: +420 284 083 111  
parker.czechrepublic@parker.com

**DE – Germany, Kaarst**  
Tel: +49 (0)2131 4016 0  
parker.germany@parker.com

**DK – Denmark, Ballerup**  
Tel: +45 43 56 04 00  
parker.denmark@parker.com

**ES – Spain, Madrid**  
Tel: +34 902 330 001  
parker.spain@parker.com

**FI – Finland, Vantaa**  
Tel: +358 (0)20 753 2500  
parker.finland@parker.com

**FR – France, Contamine s/Arve**  
Tel: +33 (0)4 50 25 80 25  
parker.france@parker.com

**GR – Greece, Athens**  
Tel: +30 210 933 6450  
parker.greece@parker.com

**HK – Hong Kong**  
Tel: +852 2428 8008

**HU – Hungary, Budapest**  
Tel: +36 1 220 4155  
parker.hungary@parker.com

**IE – Ireland, Dublin**  
Tel: +353 (0)1 466 6370  
parker.ireland@parker.com

**IN – India, Mumbai**  
Tel: +91 22 6513 7081-85

**IT – Italy, Corsico (MI)**  
Tel: +39 02 45 19 21  
parker.italy@parker.com

**JP – Japan, Tokyo**  
Tel: +(81) 3 6408 3901

**KR – South Korea, Seoul**  
Tel: +82 2 559 0400

**KZ – Kazakhstan, Almaty**  
Tel: +7 7272 505 800  
parker.easteurope@parker.com

**LV – Latvia, Riga**  
Tel: +371 6 745 2601  
parker.latvia@parker.com

**MX – Mexico, Apodaca**  
Tel: +52 81 8156 6000

**MY – Malaysia, Shah Alam**  
Tel: +60 3 7849 0800

**NL – The Netherlands, Oldenzaal**  
Tel: +31 (0)541 585 000  
parker.nl@parker.com

**NO – Norway, Ski**  
Tel: +47 64 91 10 00  
parker.norway@parker.com

**NZ – New Zealand, Mt Wellington**  
Tel: +64 9 574 1744

**PL – Poland, Warsaw**  
Tel: +48 (0)22 573 24 00  
parker.poland@parker.com

**PT – Portugal, Leca da Palmeira**  
Tel: +351 22 999 7360  
parker.portugal@parker.com

**RO – Romania, Bucharest**  
Tel: +40 21 252 1382  
parker.romania@parker.com

**RU – Russia, Moscow**  
Tel: +7 495 645-2156  
parker.russia@parker.com

**SE – Sweden, Spånga**  
Tel: +46 (0)8 59 79 50 00  
parker.sweden@parker.com

**SG – Singapore**  
Tel: +65 6887 6300

**SK – Slovakia, Banská Bystrica**  
Tel: +421 484 162 252  
parker.slovakia@parker.com

**SL – Slovenia, Novo Mesto**  
Tel: +386 7 337 6650  
parker.slovenia@parker.com

**TH – Thailand, Bangkok**  
Tel: +662 717 8140

**TR – Turkey, Istanbul**  
Tel: +90 216 4997081  
parker.turkey@parker.com

**TW – Taiwan, Taipei**  
Tel: +886 2 2298 8987

**UA – Ukraine, Kiev**  
Tel +380 44 494 2731  
parker.ukraine@parker.com

**UK – United Kingdom, Warwick**  
Tel: +44 (0)1926 317 878  
parker.uk@parker.com

**US – USA, Cleveland**  
Tel: +1 216 896 3000

**VE – Venezuela, Caracas**  
Tel: +58 212 238 5422

**ZA – South Africa, Kempton Park**  
Tel: +27 (0)11 961 0700  
parker.southafrica@parker.com

European Product Information Centre

Free phone: 00 800 27 27 5374

(from AT, BE, CH, CZ, DE, EE, ES, FI, FR, IE, IT, PT, SE, SK, UK)

Fax: +44 1442 458112

US Product Information Centre

Free phone: 1-800-27 27 537

**Parker Hannifin**  
Hydraulic Filter Division Europe  
Email: [filtrationinfo@parker.com](mailto:filtrationinfo@parker.com)  
[www.parker.com](http://www.parker.com)

